



US00D369666S

# United States Patent [19]

Lucero et al.

[11] Patent Number: **Des. 369,666**

[45] Date of Patent: **\*\*May 7, 1996**

[54] **PADDED BACK REST WITH POCKETS**

4,471,993 9/1984 Watson ..... 297/204.5

4,876,755 10/1989 Parrish ..... 5/636 X

5,345,633 9/1994 Harnish ..... 5/639

[75] Inventors: **Jimmy R. Lucero; Mary E. Lucero,**  
both of Albuquerque, N.M.

[73] Assignee: **Vikron, Inc.,** Wheat Ridge, Colo.

[\*\*] Term: **14 Years**

*Primary Examiner*—Stella Reid

*Attorney, Agent, or Firm*—Fields, Lewis & Rost

[21] Appl. No.: **33,736**

[22] Filed: **Jan. 19, 1995**

[52] U.S. Cl. .... **D24/183**

[58] **Field of Search** ..... D24/183; 5/630,  
5/631, 633, 652, 655, 636, 639; 297/397,  
410, DIG. 6, 284.5, 230.13; D6/595, 596,  
601

## [57] CLAIM

The ornamental design for the padded back rest with pockets, as shown and described.

## DESCRIPTION

FIG. 1 is a front perspective view of the padded back rest with pockets of this invention;

FIG. 2 is a rear perspective view thereof;

FIG. 3 is a top view thereof;

FIG. 4 is a front view;

FIG. 5 is a rear view;

FIG. 6 is a right side view;

FIG. 7 is a left side view; and,

FIG. 8 is a bottom view.

## [56] References Cited

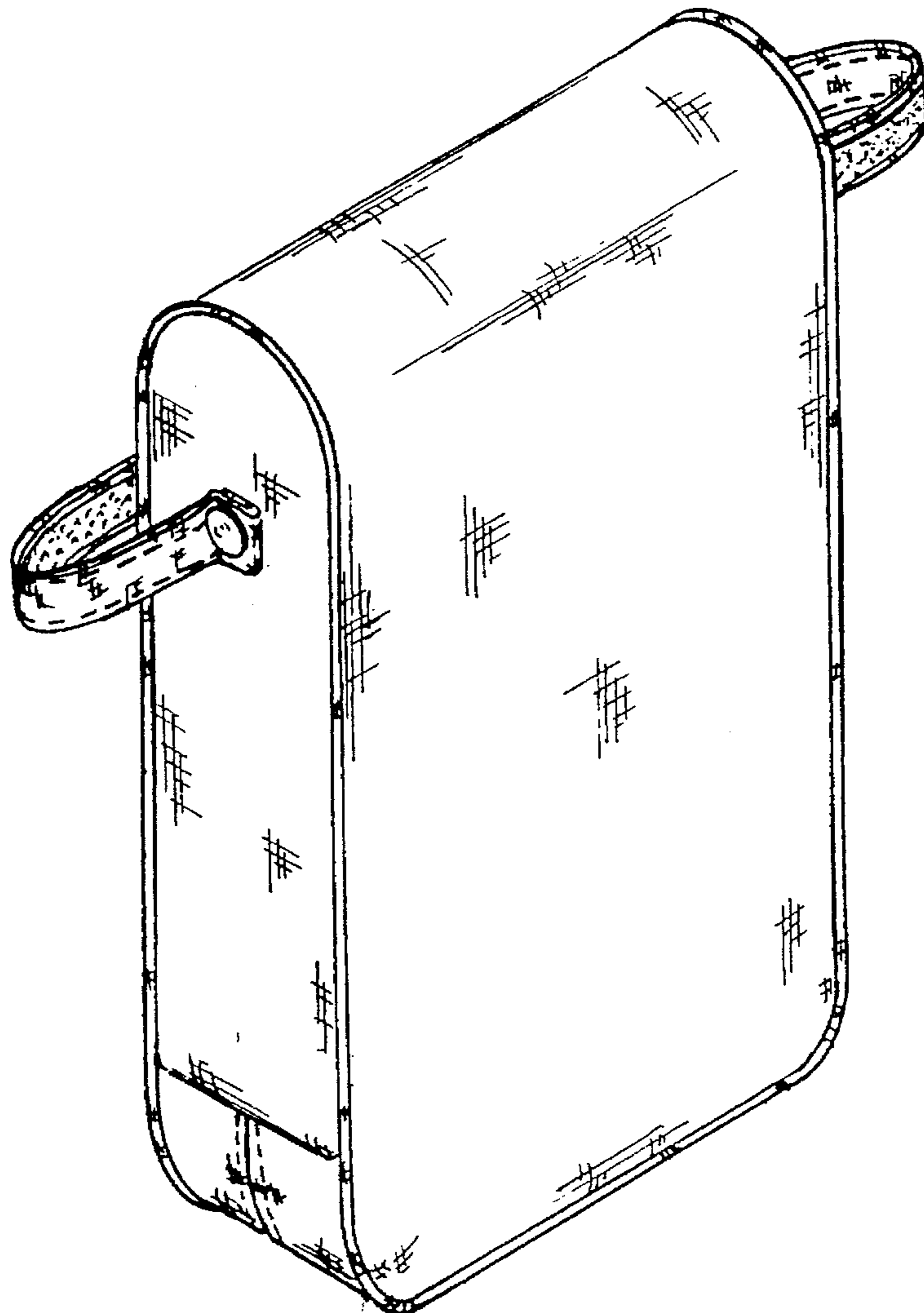
### U.S. PATENT DOCUMENTS

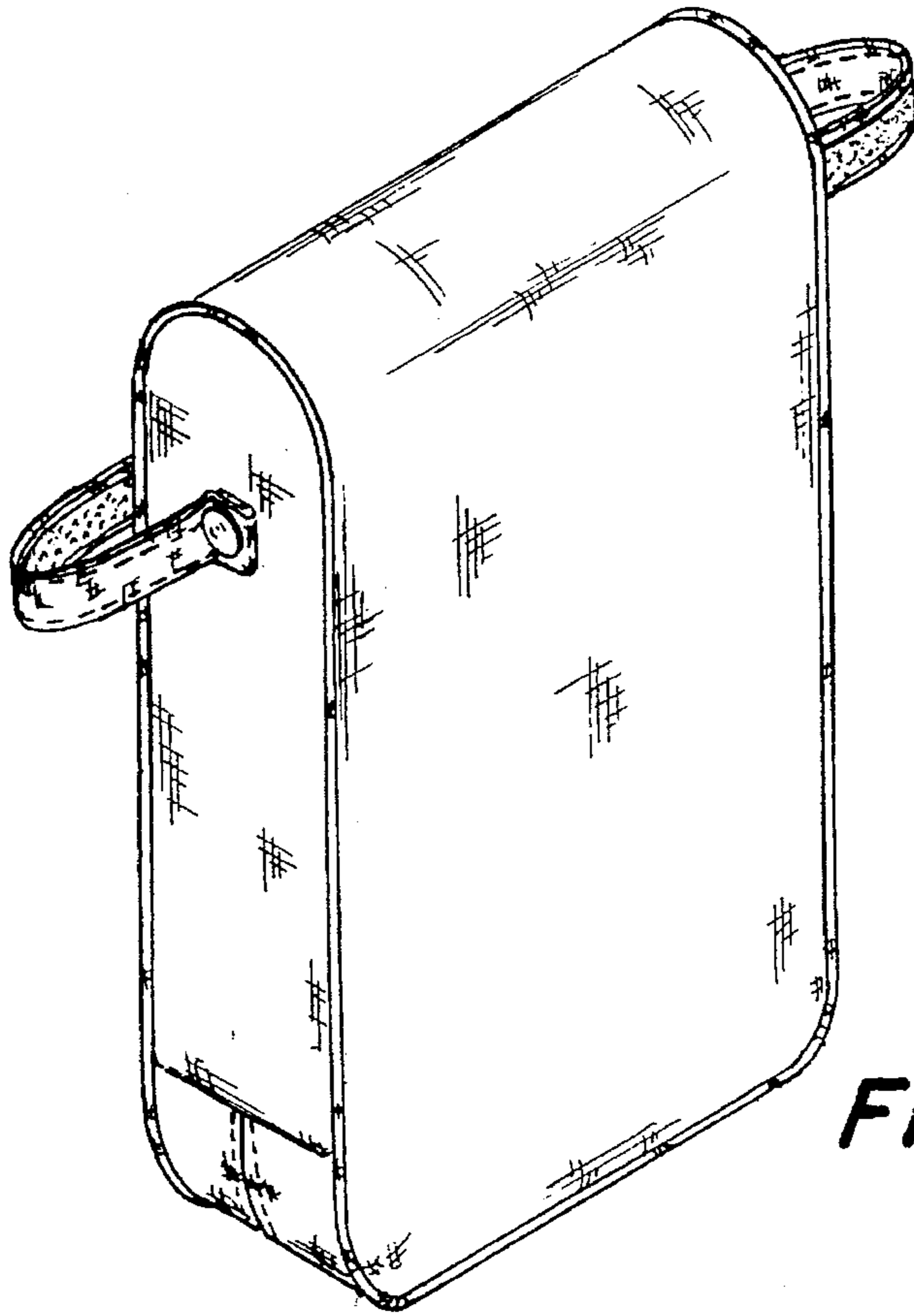
D. 296,930 7/1983 Carabelli ..... D24/190

D. 321,760 11/1991 Carney ..... D24/191

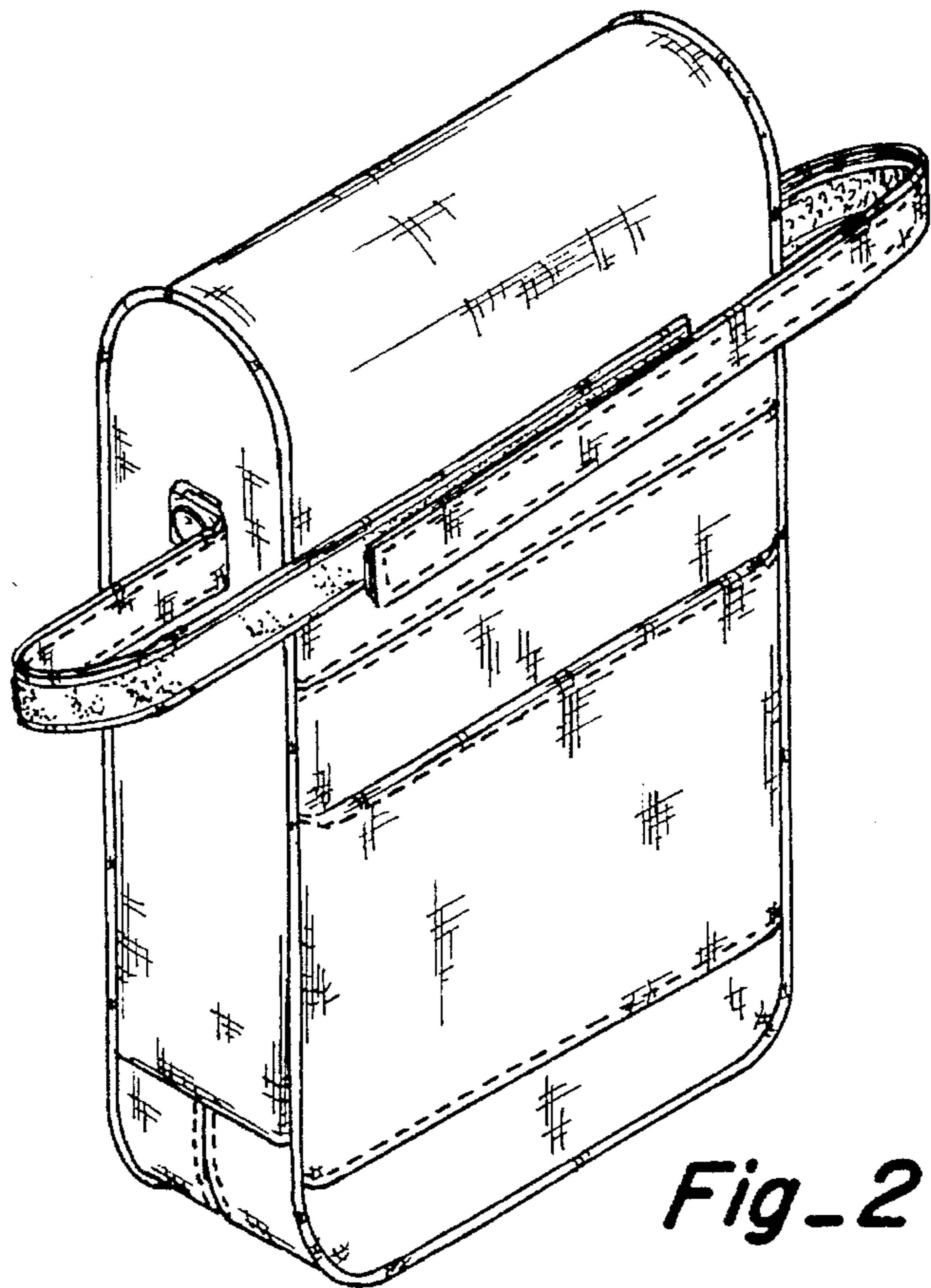
D. 338,587 8/1993 Harnish ..... D24/190

**1 Claim, 3 Drawing Sheets**

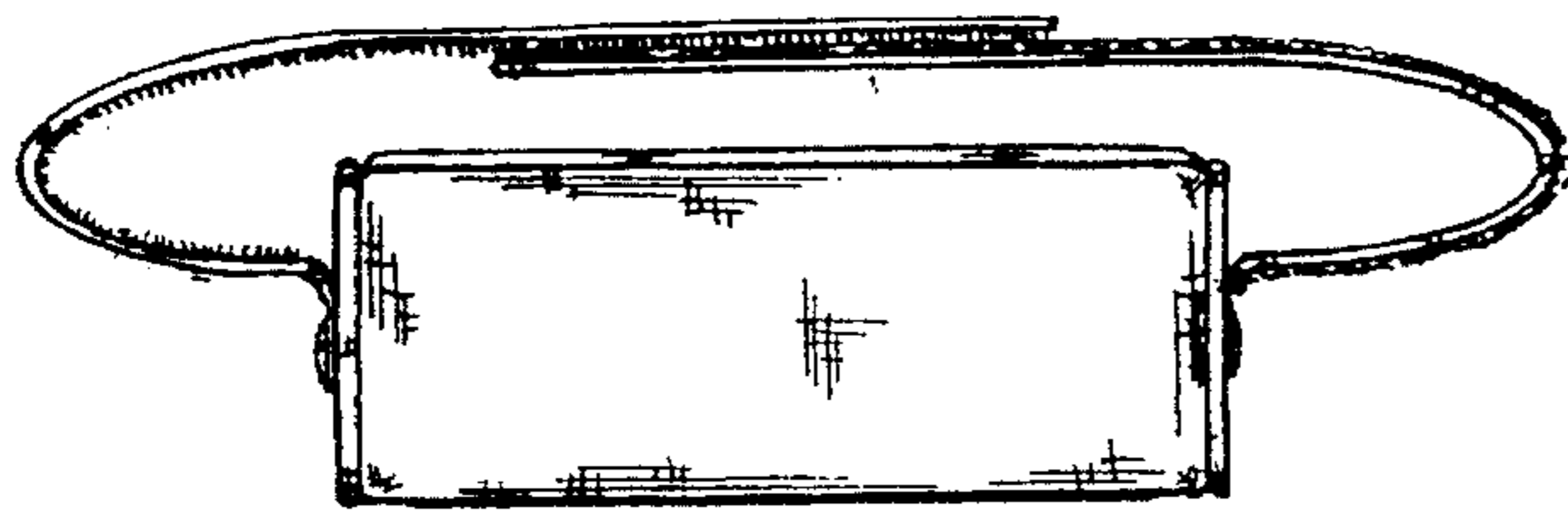




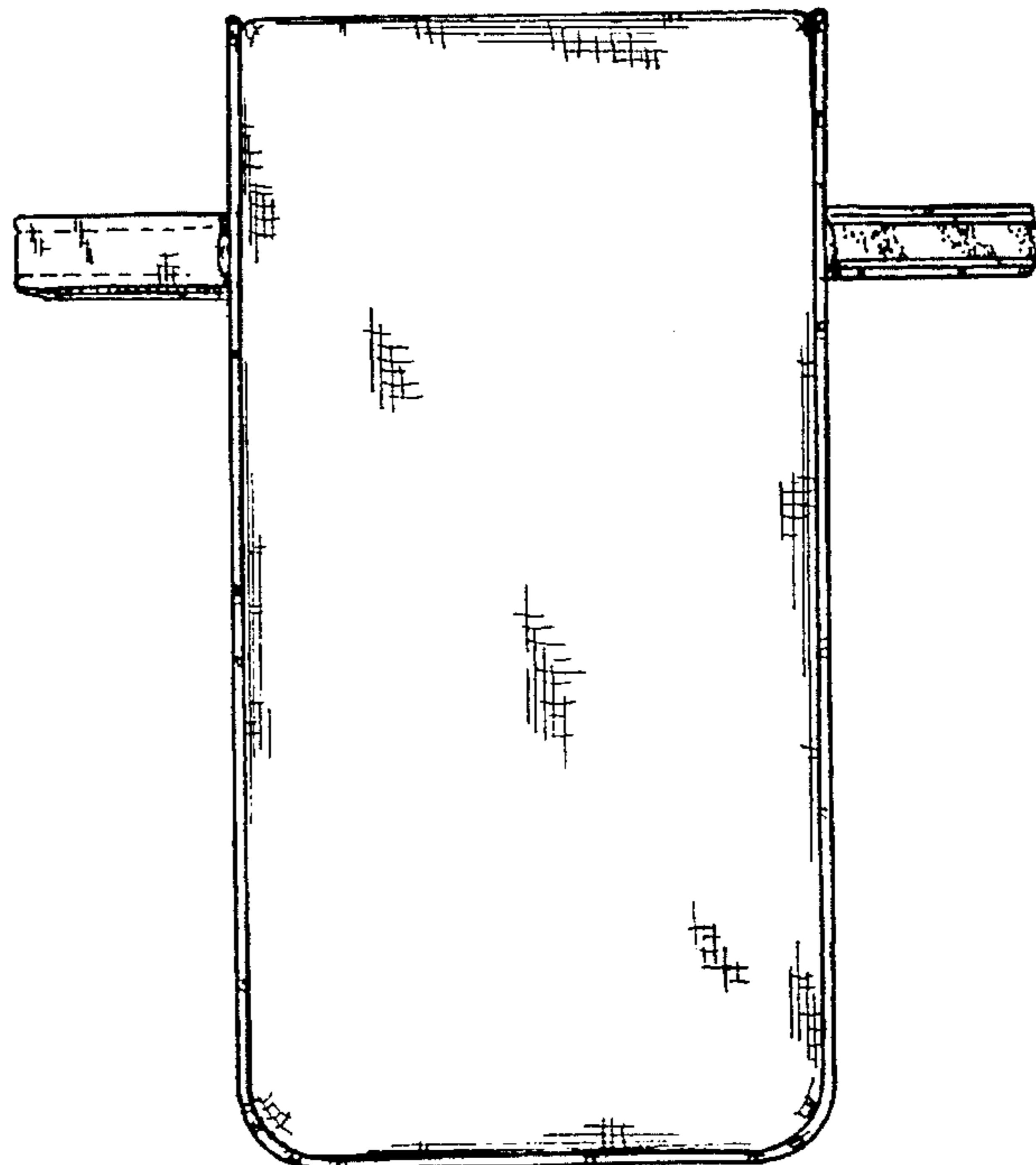
*Fig-1*



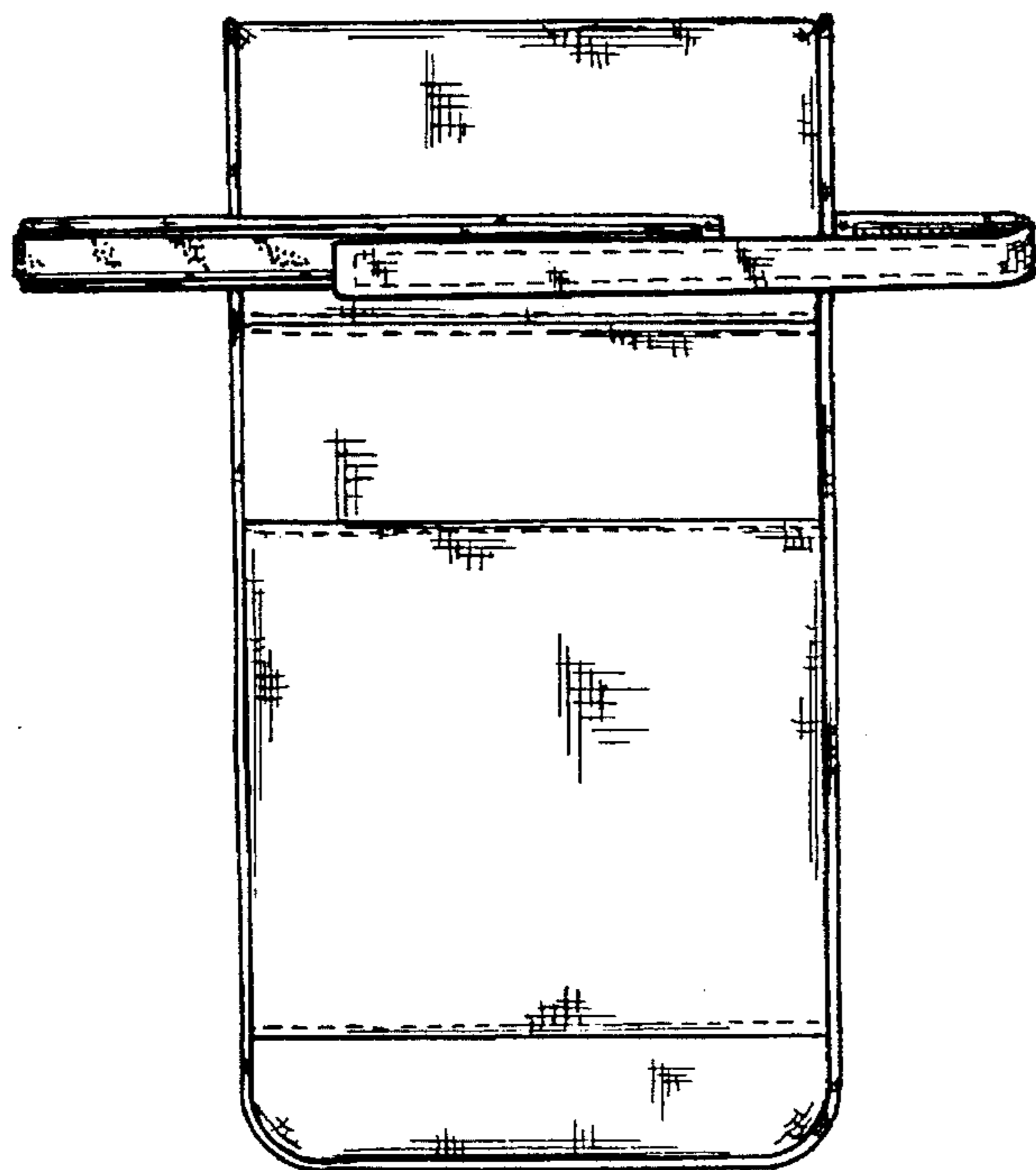
*Fig-2*



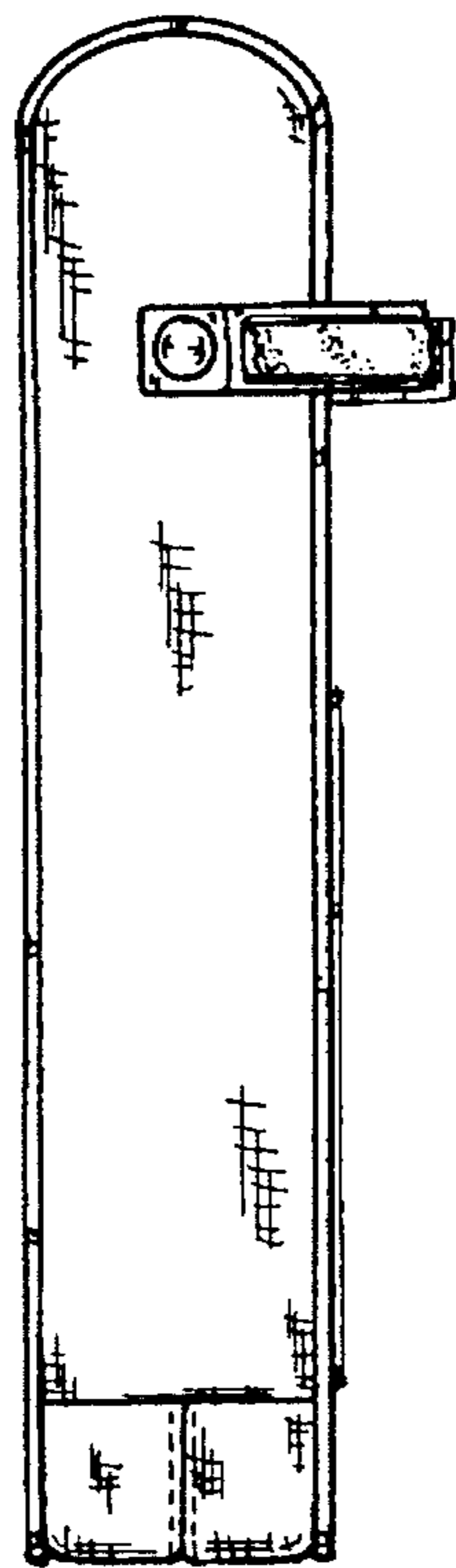
*Fig\_3*



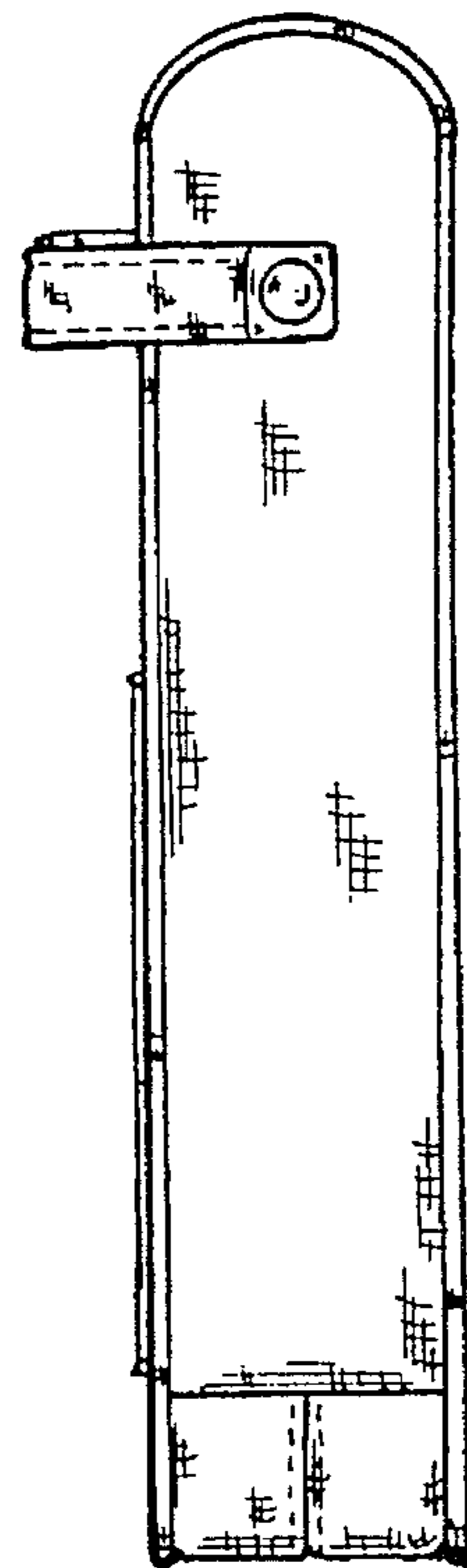
*Fig\_4*



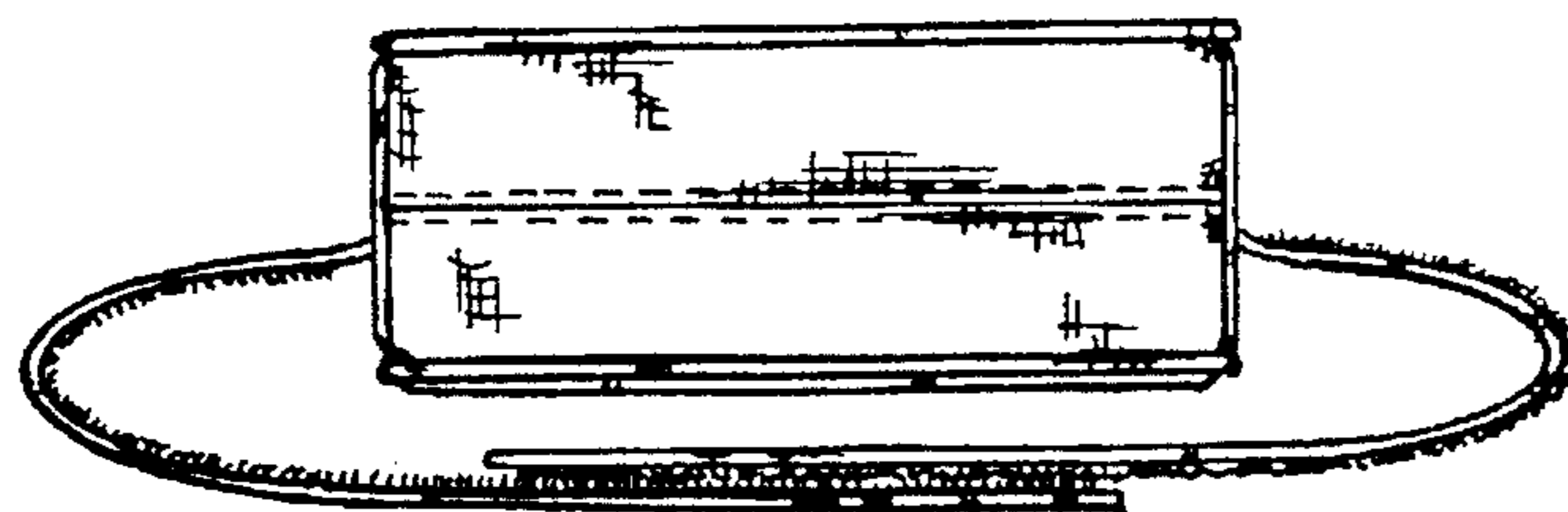
*Fig\_5*



*Fig\_6*



*Fig\_7*



*Fig\_8*