



US00D369664S

# United States Patent [19]

[11] **Patent Number:** **Des. 369,664**

**Dye**

[45] **Date of Patent:** **\*\*May 7, 1996**

[54] **CONNECTOR FOR DEVICE FOR APPLYING COMPRESSIVE PRESSURE TO THE LEG**

D. 330,251	10/1992	Dye	.....	D24/129
4,630,847	12/1986	Blenkush	.....	285/137.1 X
4,804,208	2/1989	Dye	.....	285/26
4,982,736	1/1991	Schneider	.....	604/249 X
5,197,895	3/1993	Stupecky	.....	285/137.1 X
5,219,185	6/1993	Oddenino	.....	285/137.1 X

[75] Inventor: **John F. Dye**, Bridgewater, Mass.

[73] Assignee: **The Kendall Company**, Mansfield, Mass.

[\*\*] Term: **14 Years**

*Primary Examiner*—A. Hugo Word

*Assistant Examiner*—I. Simmons

[21] Appl. No.: **12,990**

### [57] CLAIM

[22] Filed: **Sep. 16, 1993**

The ornamental design for a connector for device for applying compressive pressure to the leg, as shown and described.

[52] U.S. Cl. .... **D24/129**; D23/260; D24/127

### DESCRIPTION

[58] **Field of Search** ..... D24/129; D23/259, D23/260, 265; 128/DIG. 10, DIG. 20, 24, 64, 202.27, 205.24; 285/304, 305, 26, 319, 317, 137.1

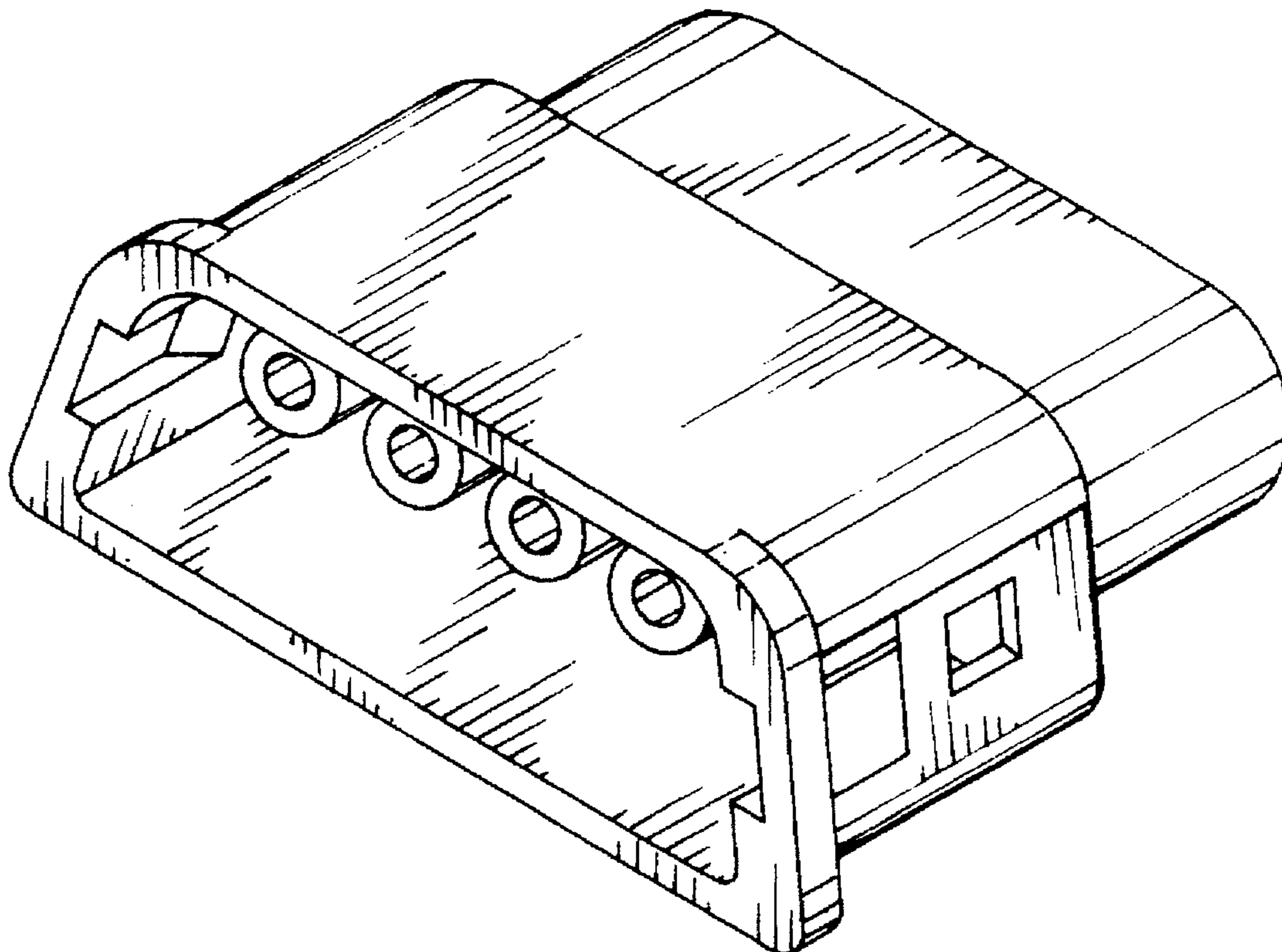
FIG. 1 is a perspective view;  
FIG. 2 is a top plan view;  
FIG. 3 is a front elevation view;  
FIG. 4 is a bottom plan view;  
FIG. 5 is a side elevational view thereof, the opposite side elevational view being a mirror image thereto; and,  
FIG. 6 is a back elevation view.

### [56] References Cited

#### U.S. PATENT DOCUMENTS

D. 327,738	7/1992	Dye	.....	D24/127 X
D. 328,346	7/1992	Dye	.....	D24/127 X

**1 Claim, 1 Drawing Sheet**



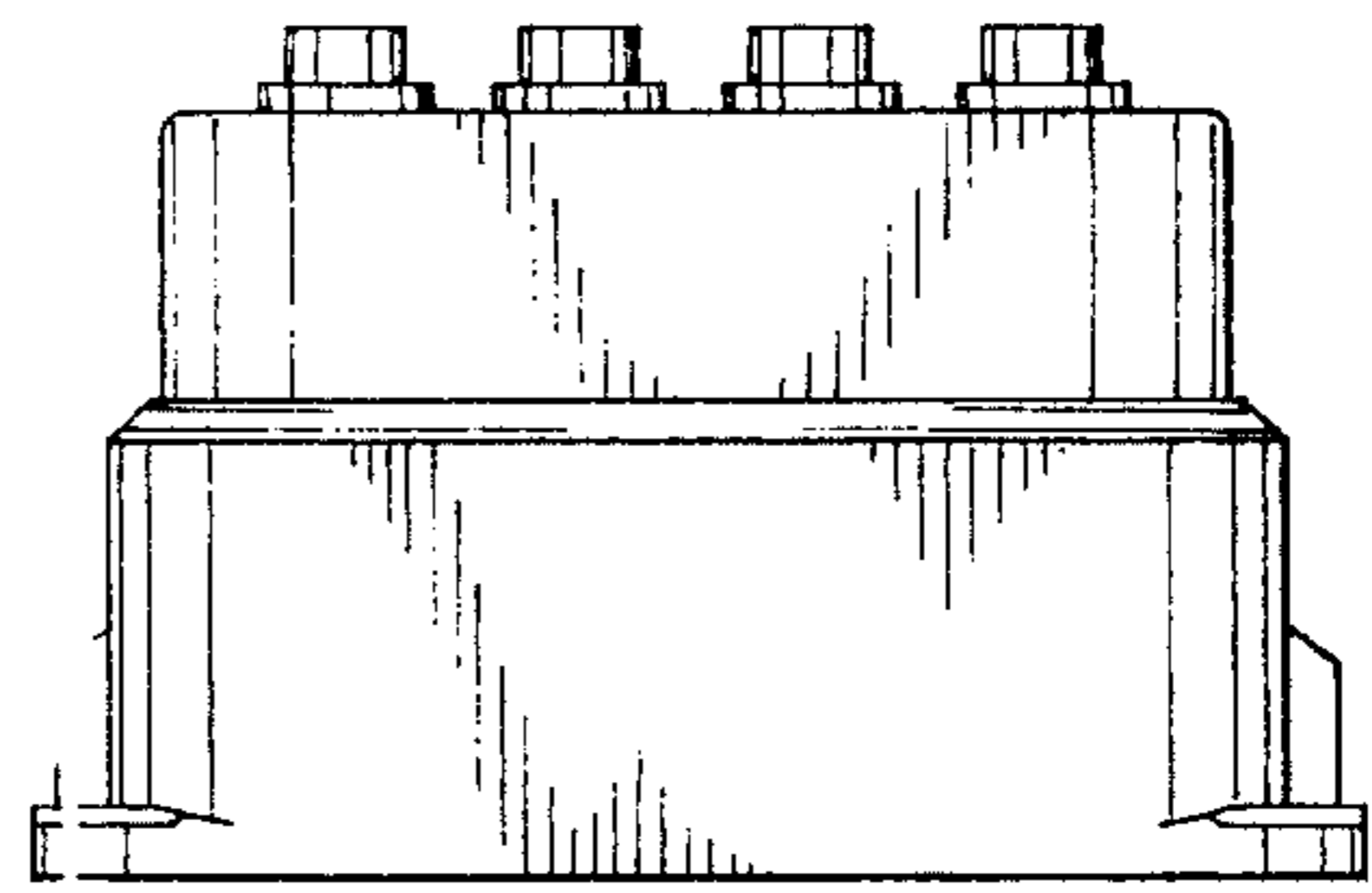


FIG. 2

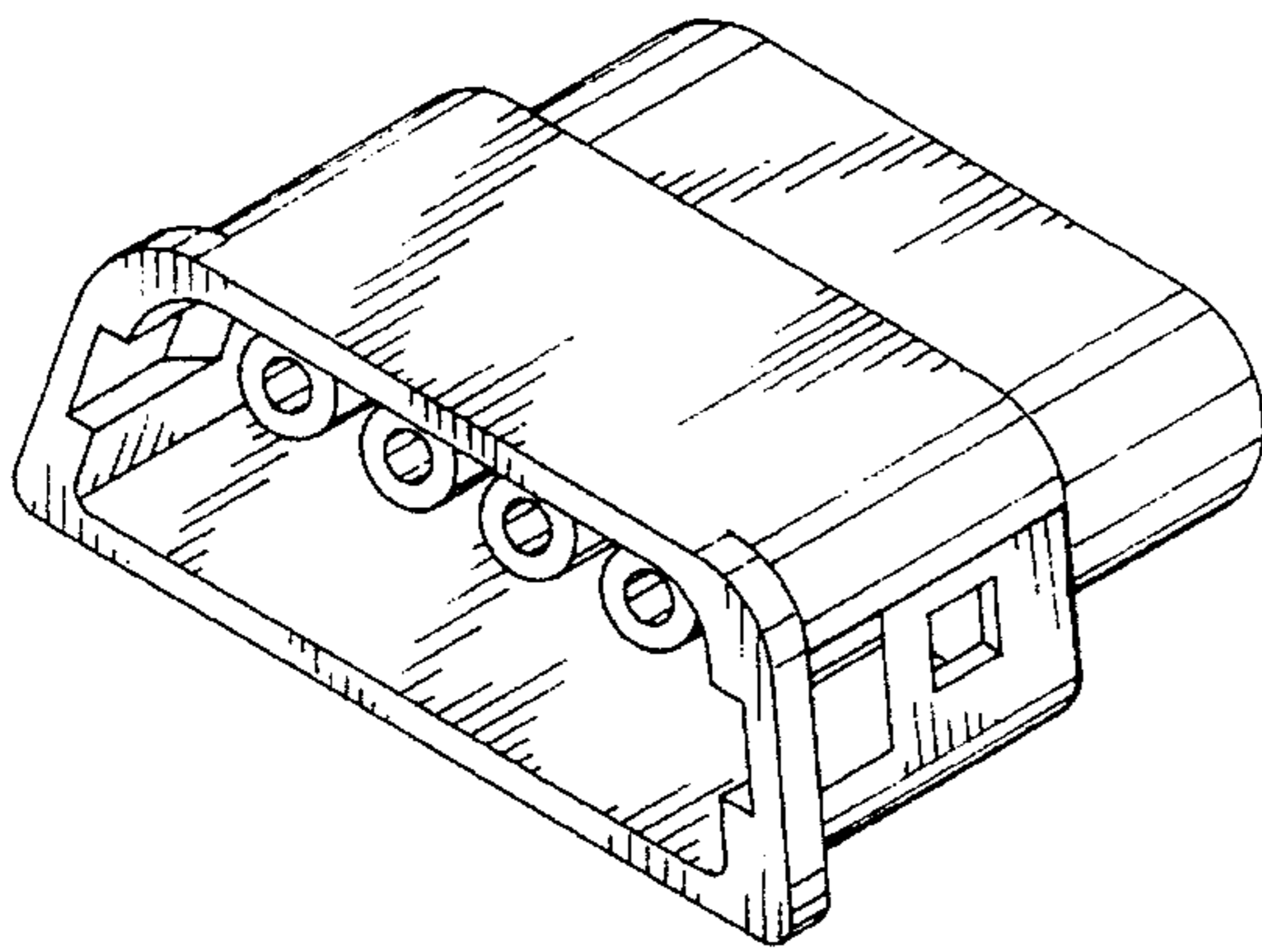


FIG. 1

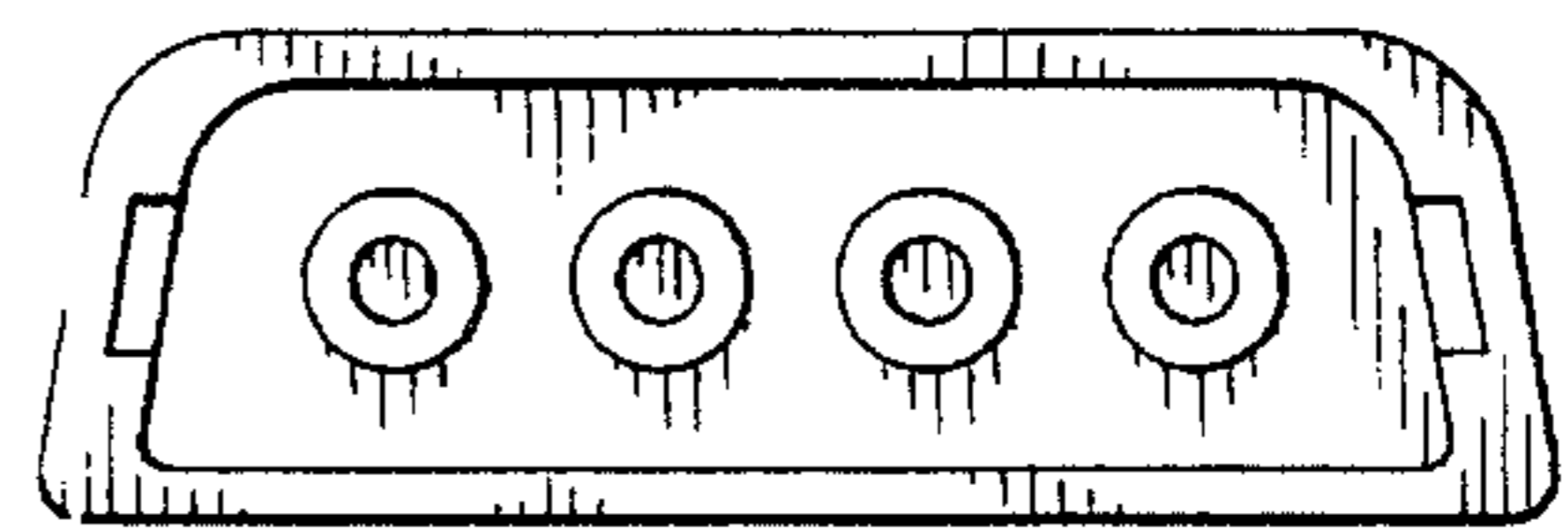


FIG. 3

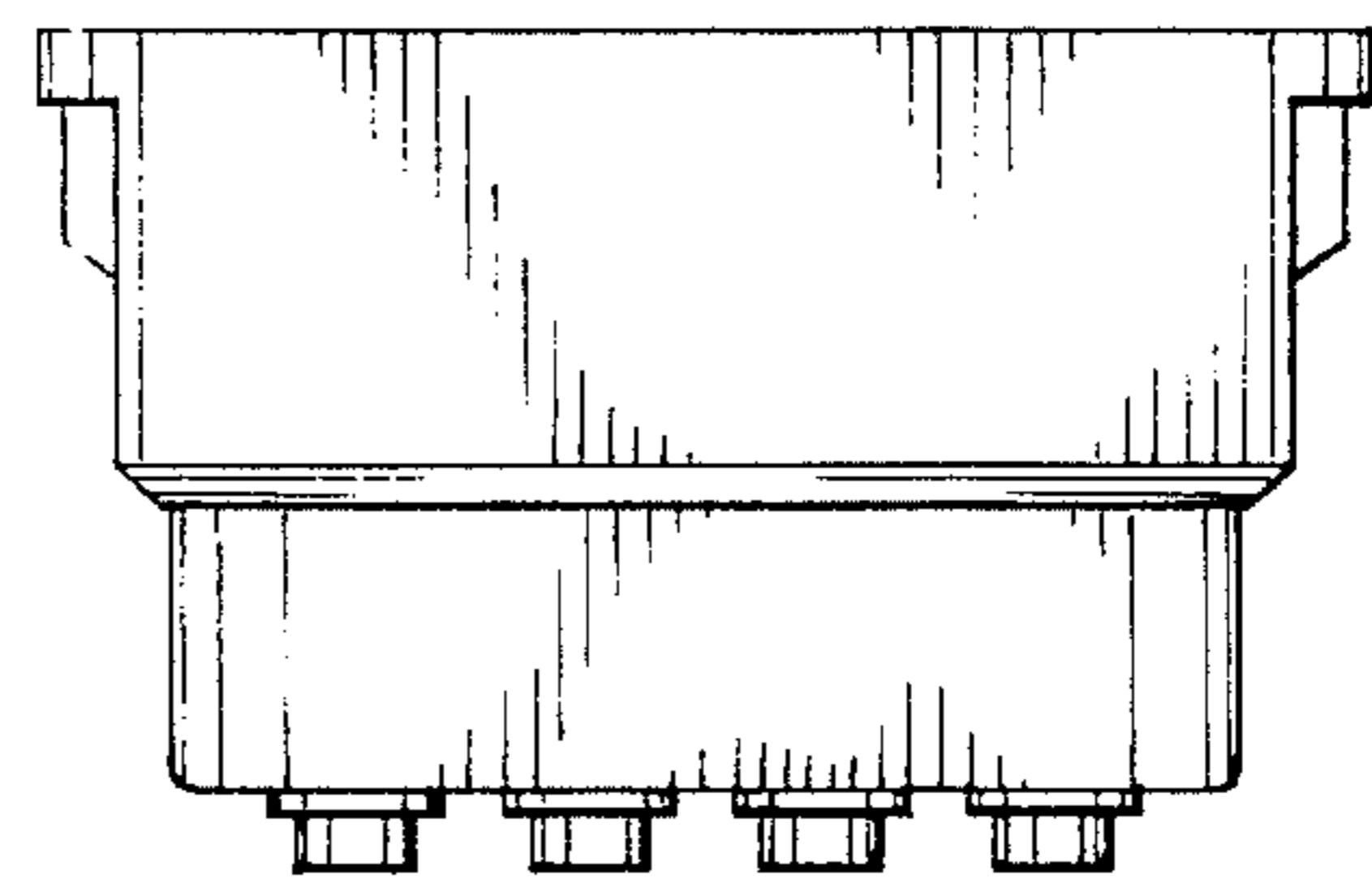


FIG. 4

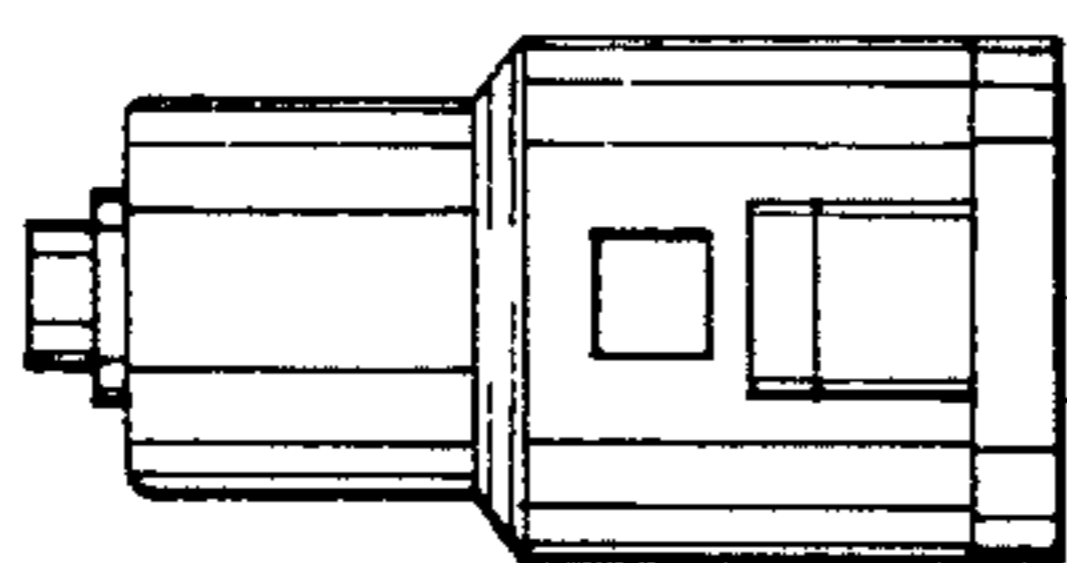


FIG. 5

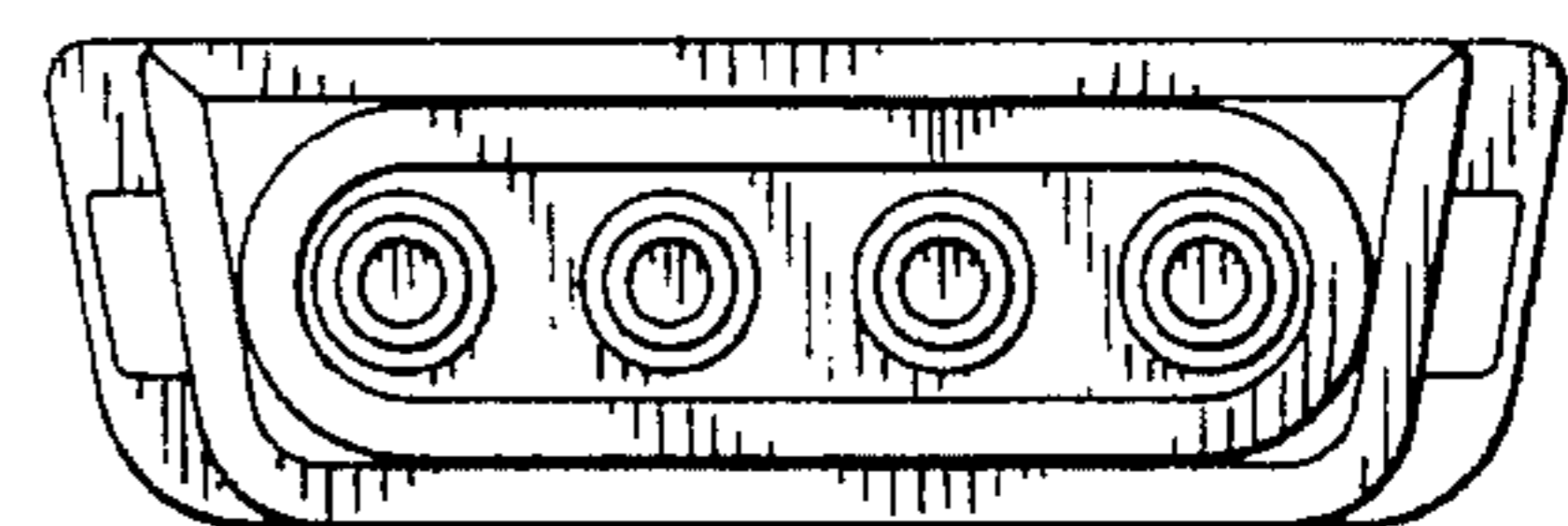


FIG. 6