



US00D369662S

United States Patent [19]

[11] Patent Number: **Des. 369,662**

Kuentz

[45] Date of Patent: ****May 7, 1996**

[54] **OSTOMY POUCH SUPPORT BAG**

Primary Examiner—Louis S. Zarfaz
Assistant Examiner—I. Simmons
Attorney, Agent, or Firm—Thomas N. Neiman

[76] Inventor: **Etha A. Kuentz**, 3233 County Rte. 28,
Watkins Glen, N.Y. 14891

[**] Term: **14 Years**

[57] **CLAIM**

The ornamental design for an ostomy pouch support bag, as shown and described.

[21] Appl. No.: **30,751**

[22] Filed: **Nov. 7, 1994**

DESCRIPTION

[52] U.S. Cl. **D24/127; D24/118**

[58] Field of Search **D24/118; 604/317,
604/327, 400, 334, 335, 332, 345, 328,
337; 128/853**

FIG. 1 is a front elevational view of an ostomy pouch support bag showing my new design;
FIG. 2 is a rear elevational view thereof;
FIG. 3 is a side elevational view thereof, the opposite side elevational view being a mirror image thereto;
FIG. 4 is a top plan view thereof;
FIG. 5 is a bottom plan view thereof; and,
FIG. 6 is a perspective view thereof, the broken line showing of the ostomy bag is for illustrative purposes only and forms no part of the claimed design.

[56] **References Cited**

U.S. PATENT DOCUMENTS

D. 245,119	7/1977	Harris	D24/127
D. 321,758	11/1991	Colella	D24/127
D. 331,460	12/1992	Mulder	D24/127
4,511,358	4/1985	Johnson, Jr. et al.	D24/118 X
5,026,362	6/1991	Willett	604/345
5,248,308	9/1993	Von Emster	604/332 X

1 Claim, 1 Drawing Sheet

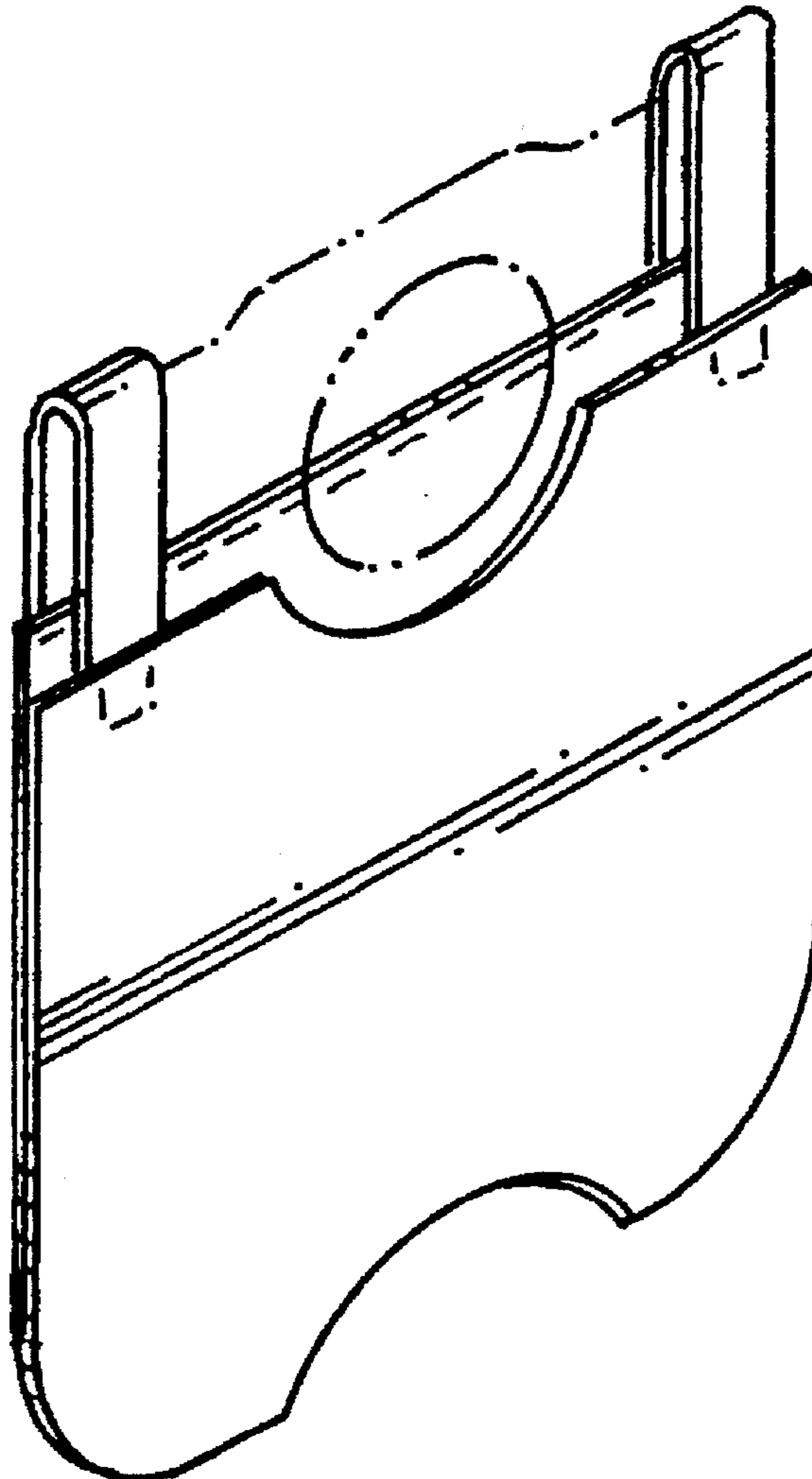


FIG. 4

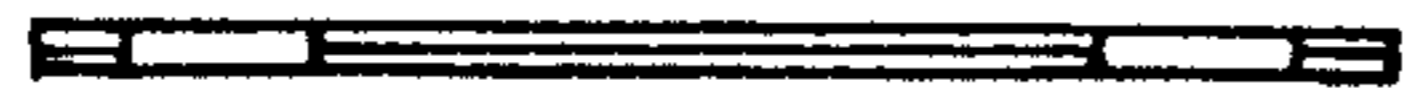


FIG. 3



FIG. 1

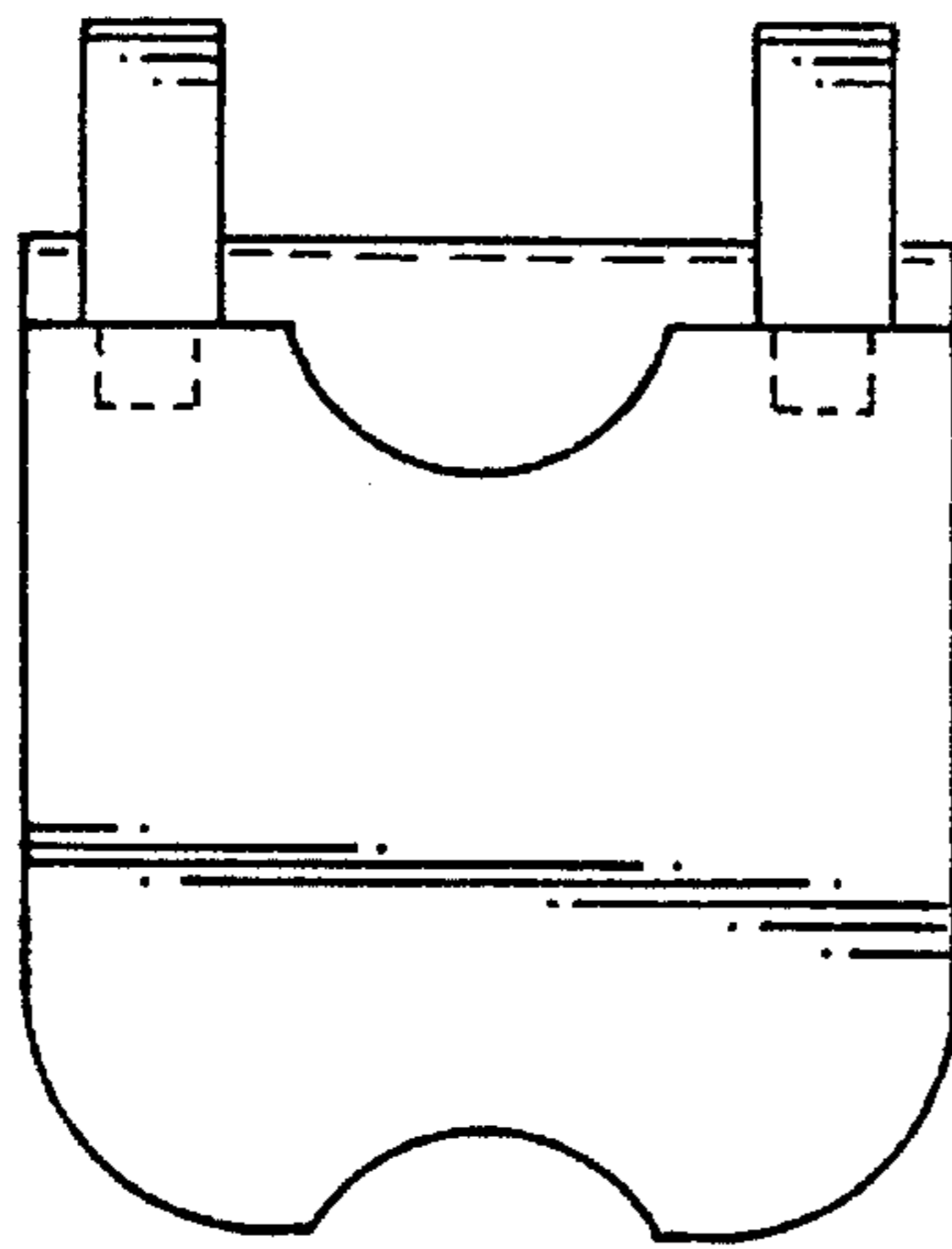


FIG. 2

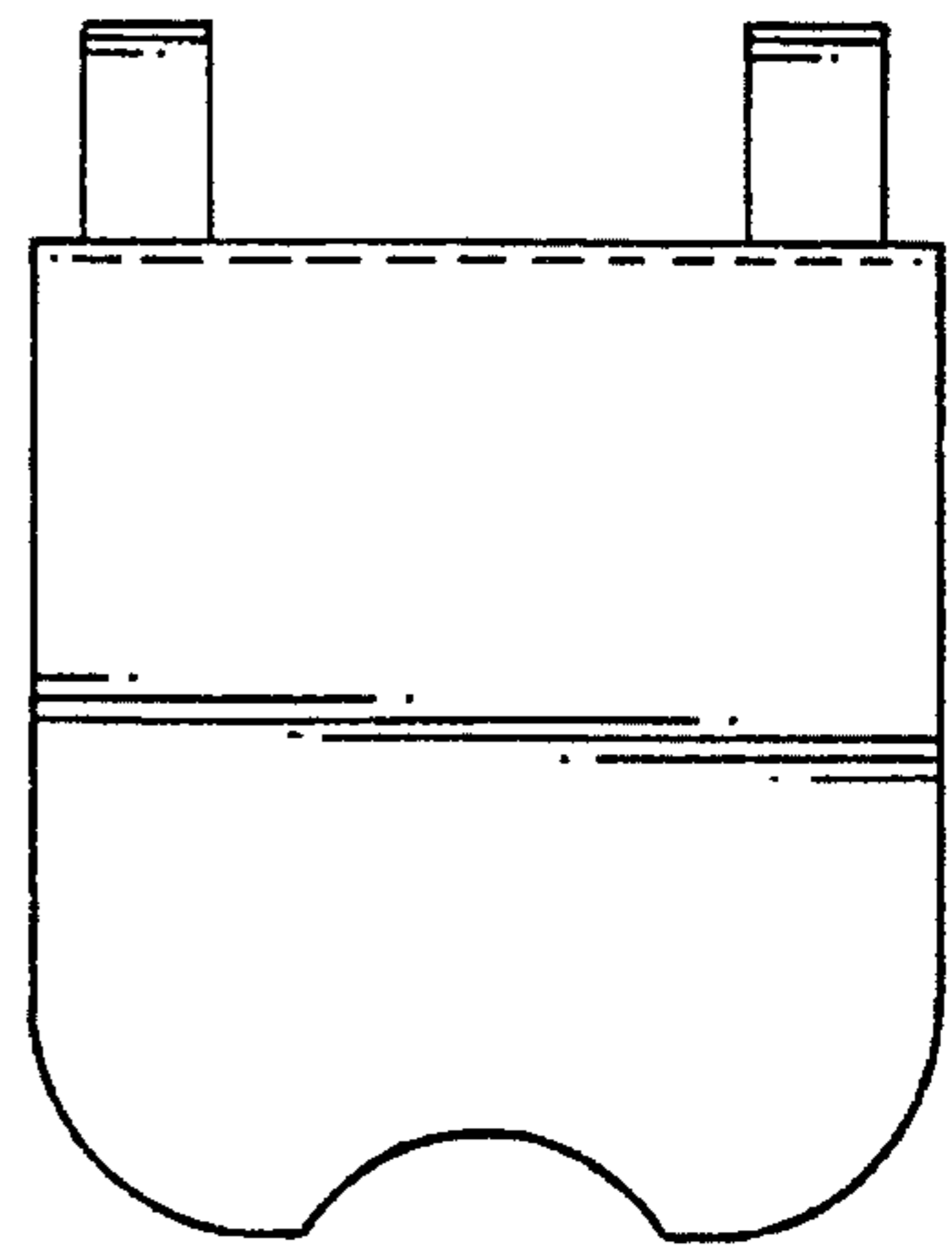


FIG. 5

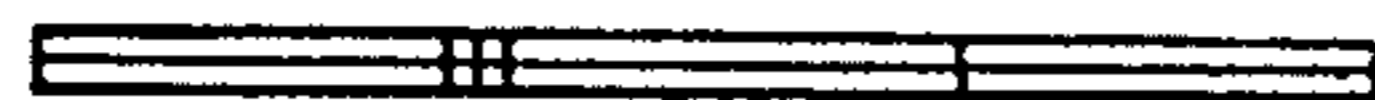


FIG. 6

