



US00D369657S

**United States Patent** [19]  
**McGugan**

[11] **Patent Number:** **Des. 369,657**  
[45] **Date of Patent:** **\*\*May 7, 1996**

[54] **DISPENSER FOR TISSUE GLUE**

[75] Inventor: **Steve McGugan**, Copenhagen, Denmark

[73] Assignee: **Bristol-Myers Squibb Co.**, Skillman, N.J.

[\*\*] Term: **14 Years**

[21] Appl. No.: **6,452**

[22] Filed: **Mar. 30, 1993**

[30] **Foreign Application Priority Data**

Sep. 30, 1992 [DK] Denmark ..... 0982 1992

[52] **U.S. Cl.** ..... **D24/113; D24/133; D24/147**

[58] **Field of Search** ..... D24/128, 113, D24/145, 146; D8/14.1; D19/60; D6/515; 604/59, 61, 57, 58, 62, 226, 227, 224, 124; 222/137, 145; 606/92, 93, 94

[56] **References Cited**

**U.S. PATENT DOCUMENTS**

D. 271,521 11/1983 Ryan et al. .... D24/146  
4,338,925 7/1982 Miller ..... 604/61 X

4,597,753 7/1986 Turley ..... 604/61  
4,874,368 10/1989 Miller et al. .... 604/61 X  
5,104,375 4/1992 Wolf et al. .... 206/364 X  
5,147,295 9/1992 Stewart ..... 604/61  
5,312,333 5/1994 Churinetz et al. .... 604/57

*Primary Examiner*—Louis S. Zarfes  
*Assistant Examiner*—I. Simmons  
*Attorney, Agent, or Firm*—Theodore R. Furman, Jr.

[57] **CLAIM**

The ornamental design for a dispenser for tissue glue, as shown and described.

**DESCRIPTION**

FIG. 1 is a perspective view of a dispenser for tissue glue showing my new design, with the lid in open position;  
FIG. 2 is a perspective view thereof, with the lid shown in closed position;  
FIG. 3 is a bottom perspective view thereof, with the lid in open position;  
FIG. 4 is a perspective view thereof, with the lid shown in closed position; and,  
FIG. 5 is an end elevational view thereof.

**1 Claim, 3 Drawing Sheets**

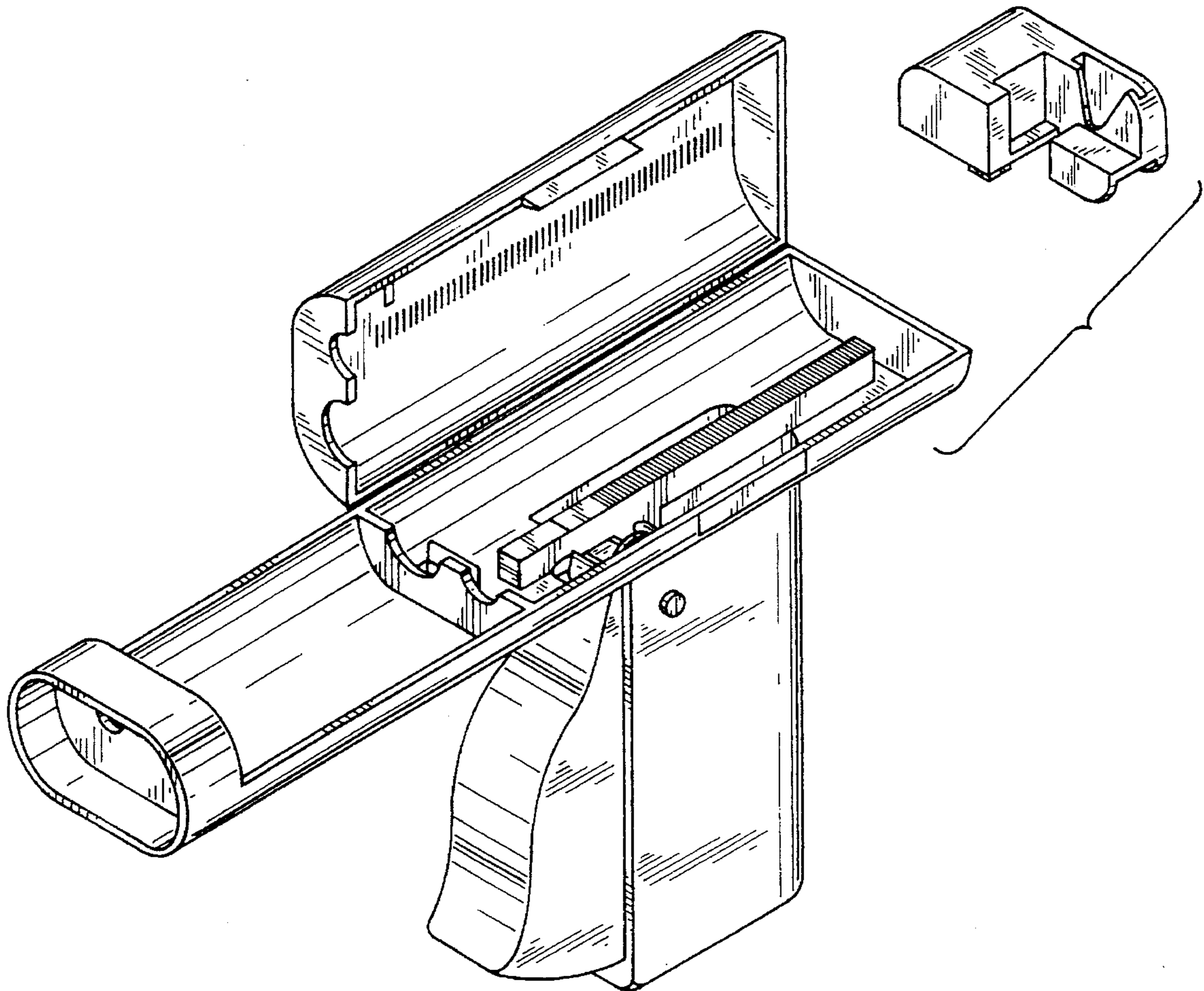


FIG. 1

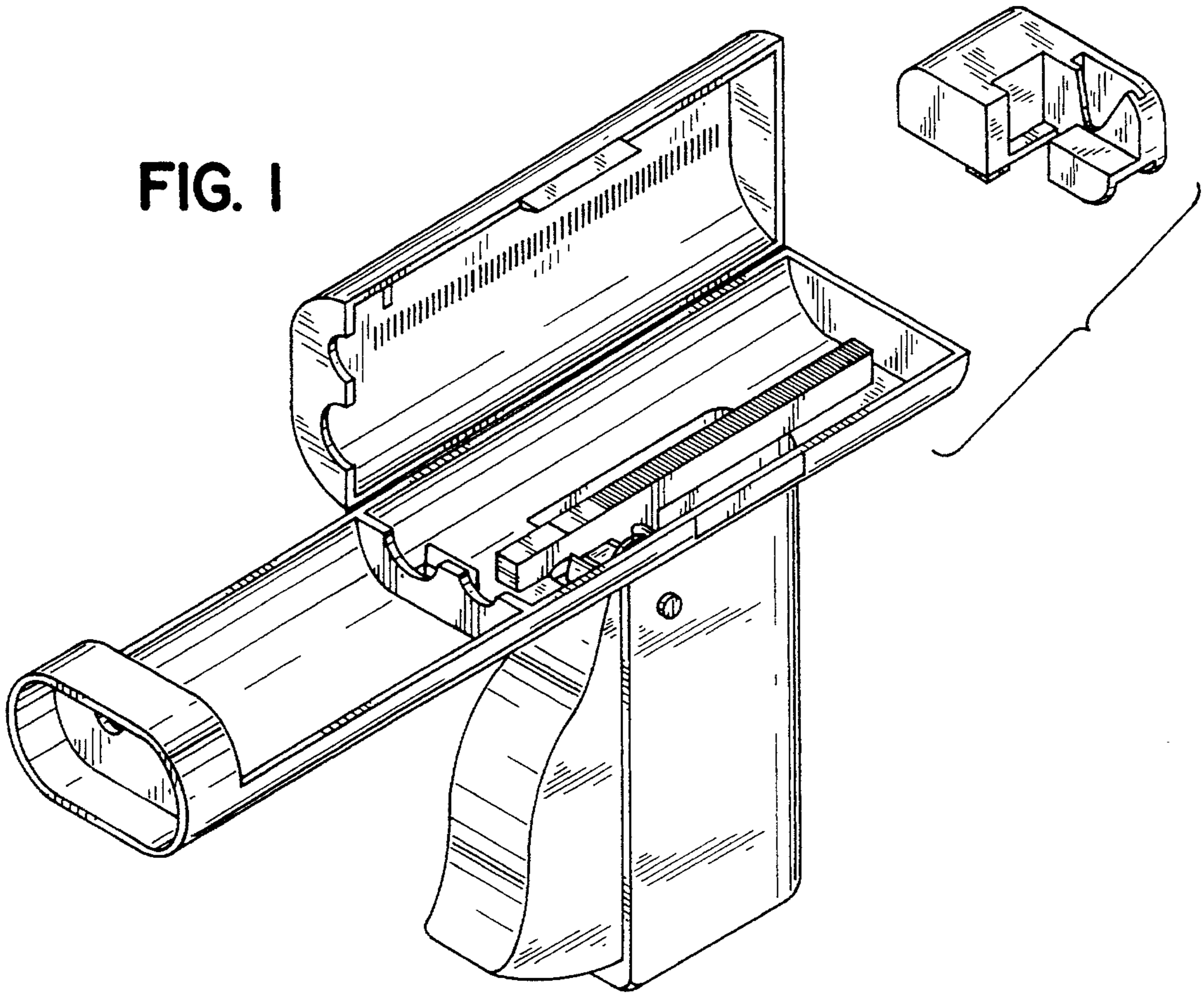
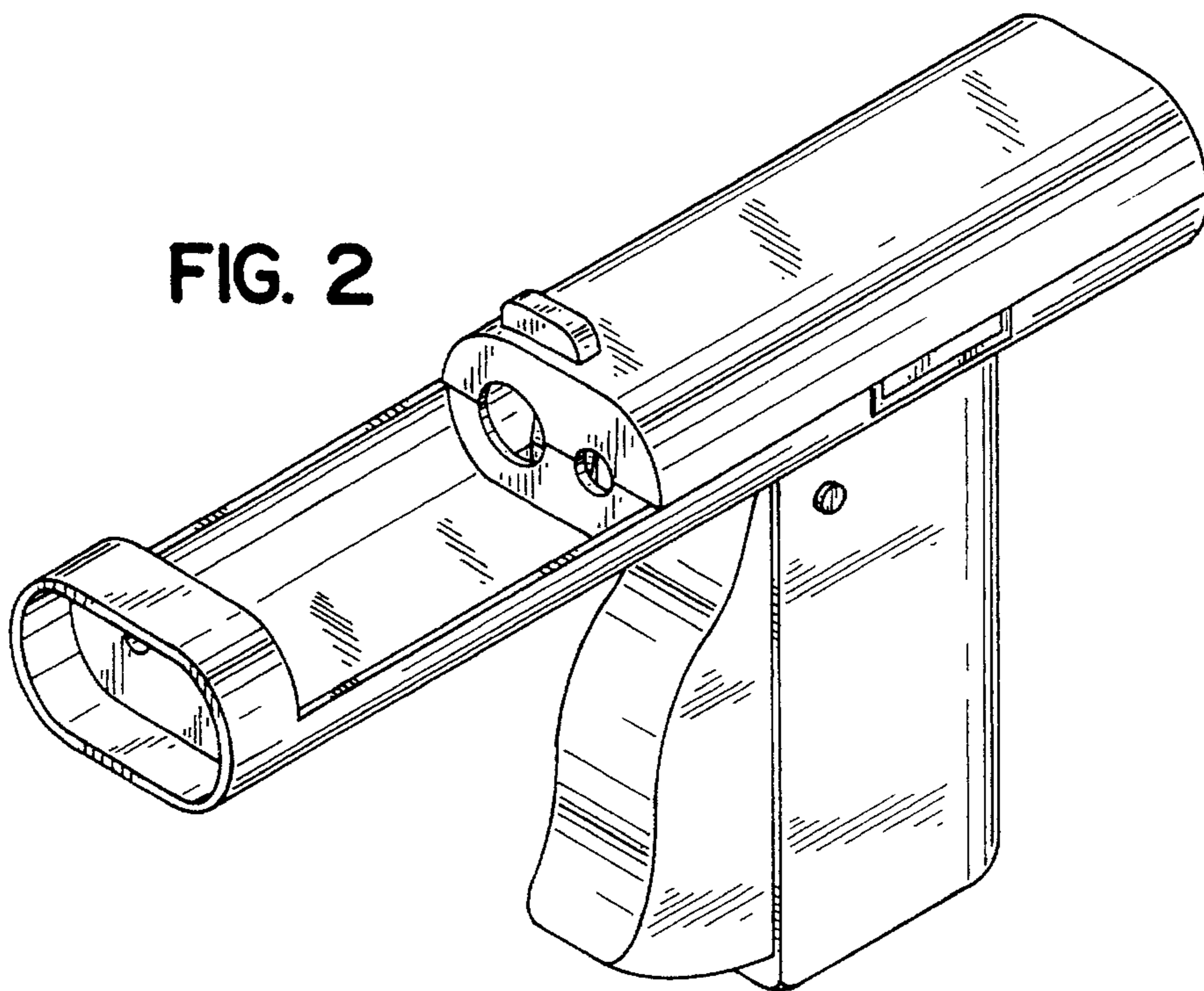


FIG. 2



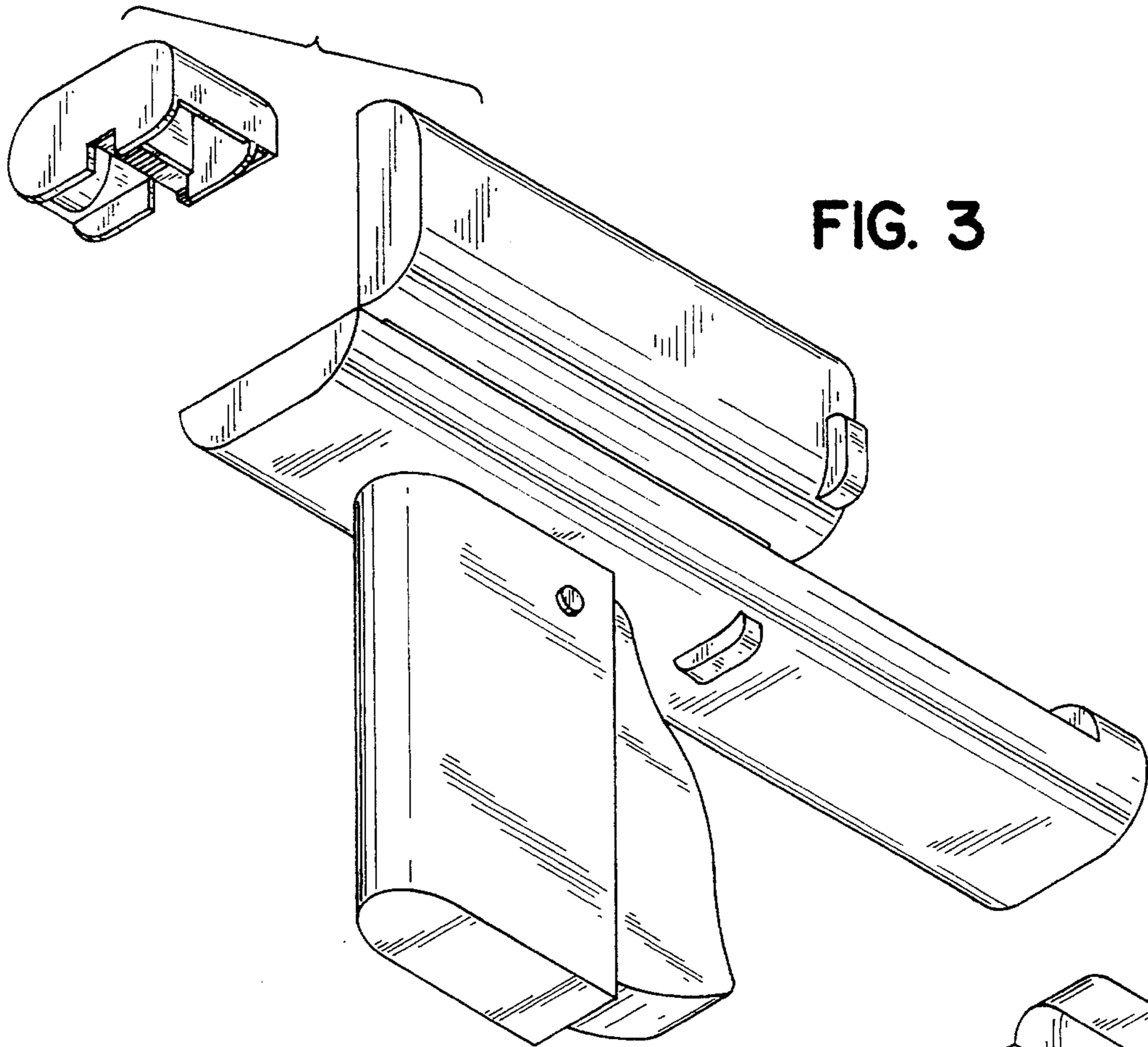


FIG. 3

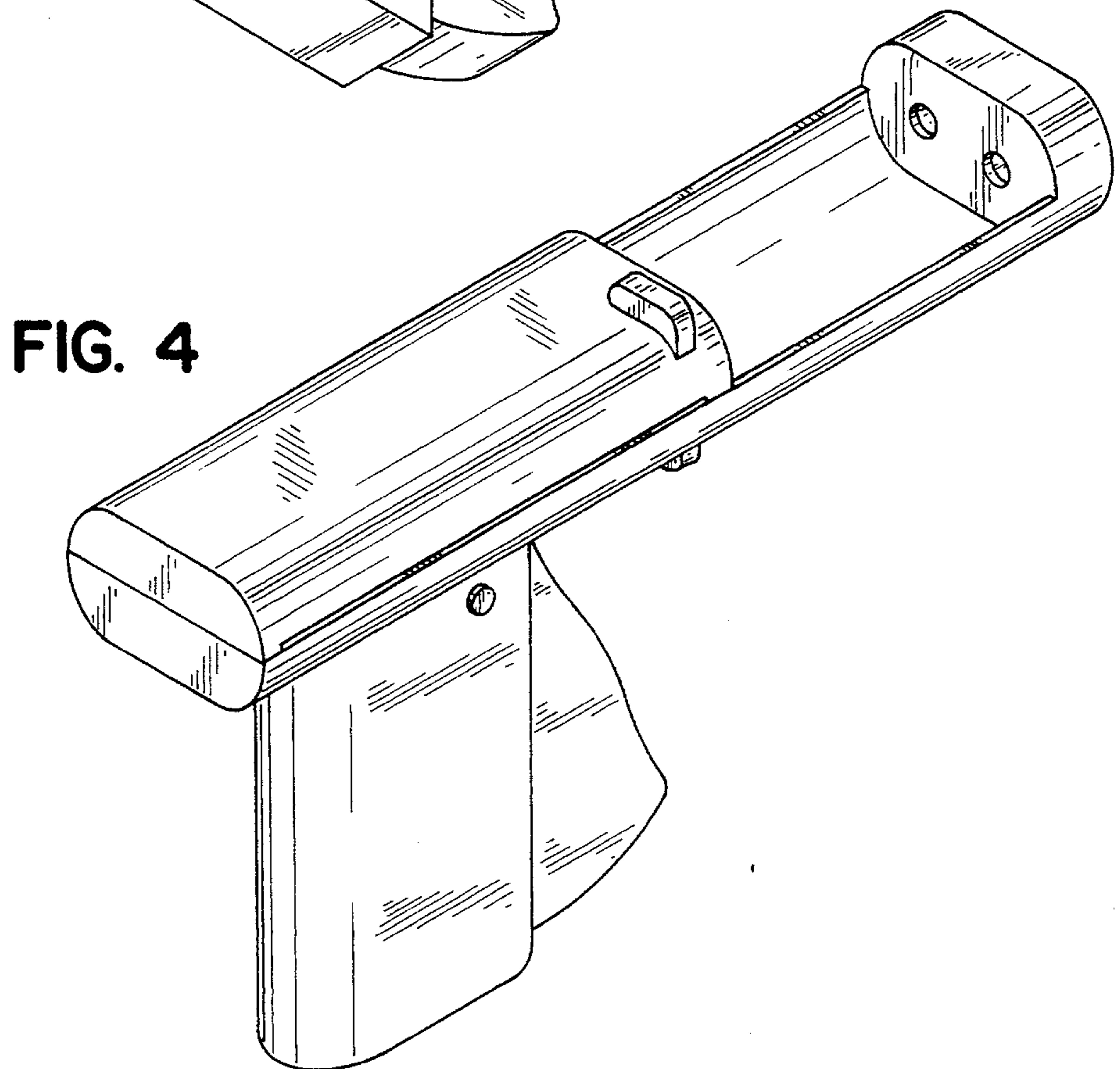
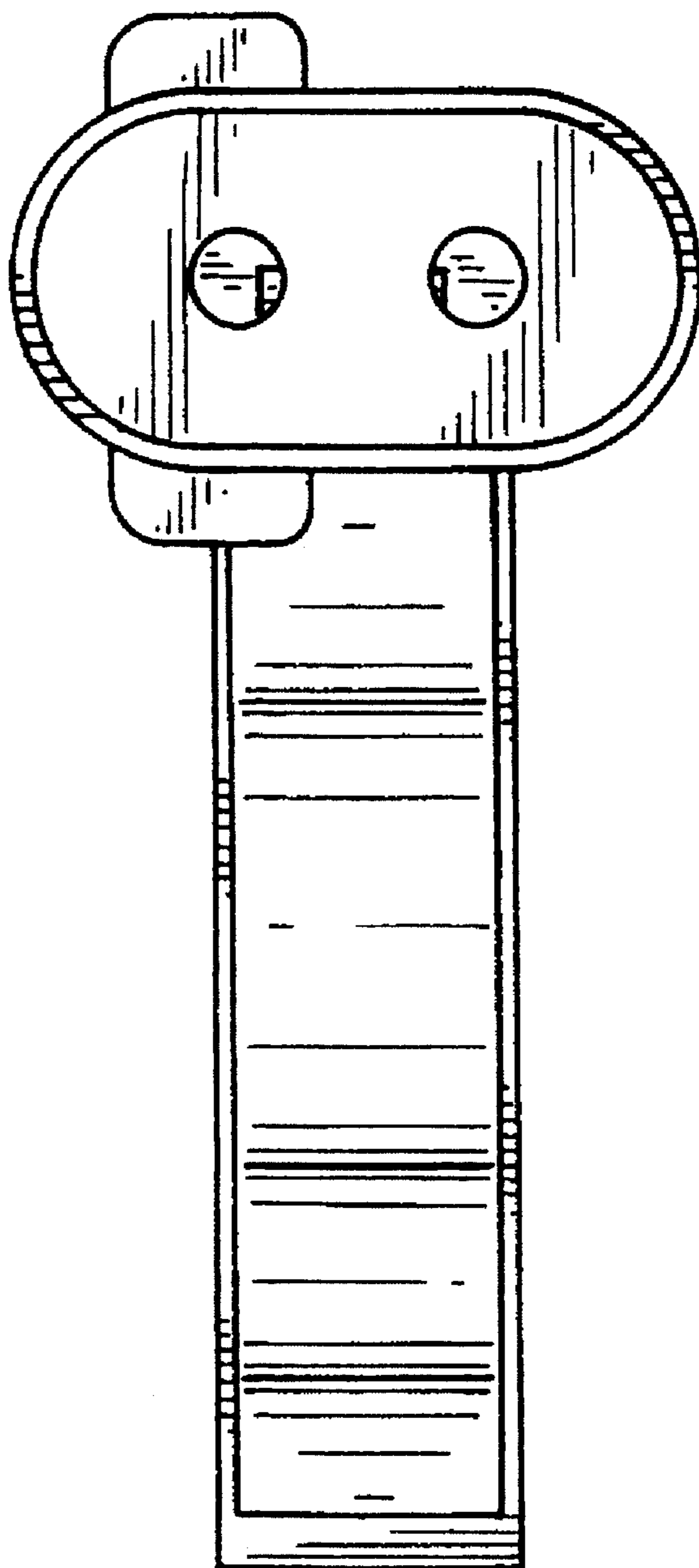


FIG. 4



**FIG. 5**