



US00D369656S

United States Patent [19]

Vos

[11] Patent Number: **Des. 369,656**

[45] Date of Patent: ****May 7, 1996**

[54] **COMBINED BASE, WATER TANK,
CHARGING UNIT, AND PUMP HOUSING
FOR ORAL HYGIENE INSTRUMENTS**

D. 270,000	8/1983	Ketler	D24/111
D. 319,363	8/1991	Uemura et al.	D4/199 X
D. 346,212	4/1994	Hösl	D24/176 X
D. 356,864	3/1995	Woog	D24/111

[75] Inventor: **Maria L. J. P. Vos**, Groningen,
Netherlands

Primary Examiner—Melanie H. Tung
Attorney, Agent, or Firm—Jack E. Haken

[73] Assignee: **U.S. Philips Corporation**, New York,
N.Y.

[57] CLAIM

[**] Term: **14 Years**

The ornamental design for a combined base, water tank,
charging unit, and pump housing for oral hygiene instru-
ments, as shown.

[21] Appl. No.: **21,306**

[22] Filed: **Apr. 11, 1994**

DESCRIPTION

[30] Foreign Application Priority Data

Nov. 25, 1993	[CH]	Switzerland	DM/027940
[52]	U.S. Cl.		D24/111; D24/176
[58]	Field of Search		D24/111, 113, D24/133, 152-4, 176-82; D23/202, 205; D13/107, 108; D4/199; 433/80-85, 125, 130; 601/142

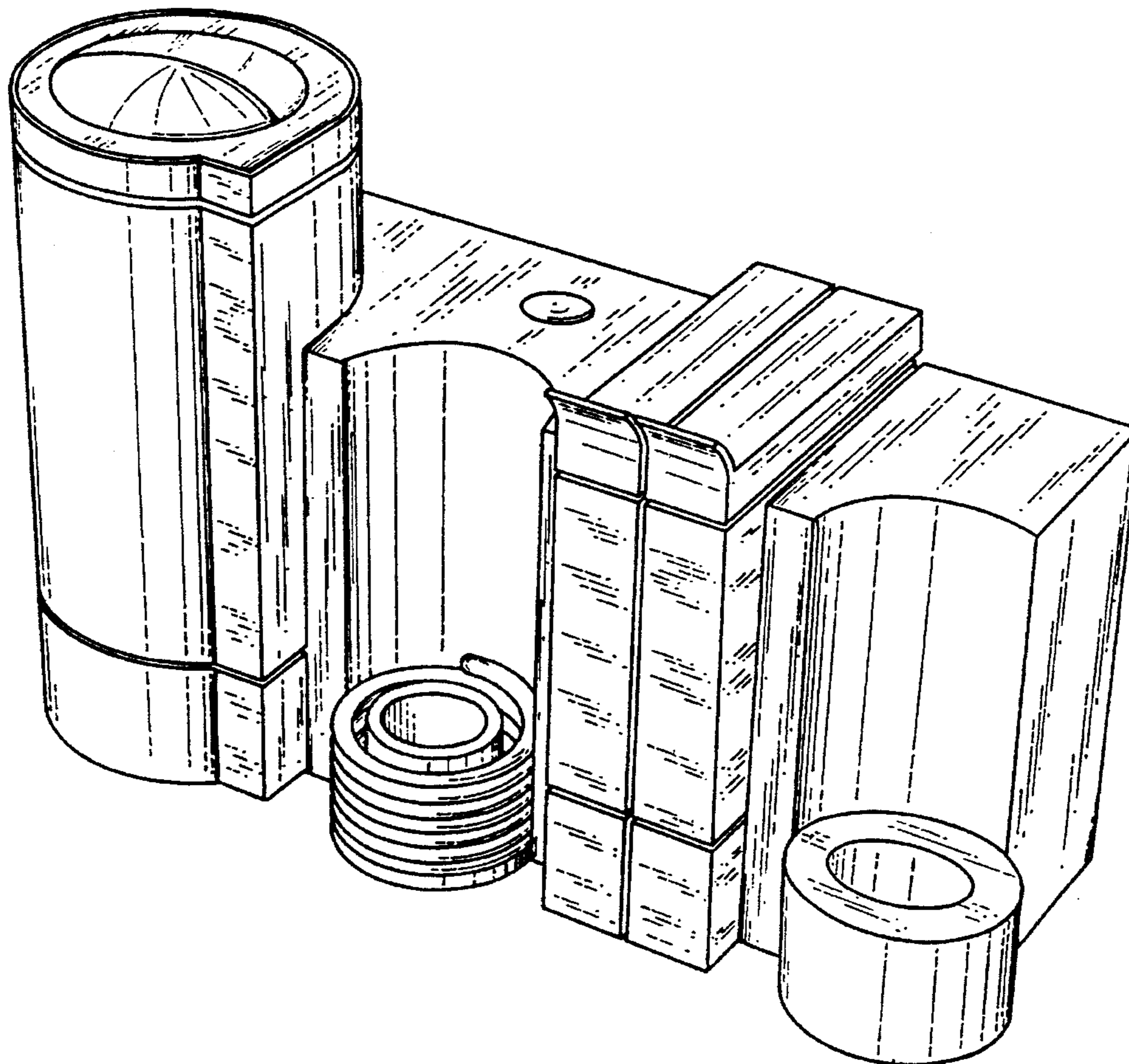
FIG. 1 is a front, right side, top perspective view showing
my new design;
FIG. 2 is a front elevational view thereof;
FIG. 3 is a rear elevational view thereof;
FIG. 4 is a right side elevational view thereof;
FIG. 5 is a left side elevational view thereof;
FIG. 6 is a top plan view thereof; and,
FIG. 7 is a bottom plan view thereof.

[56] References Cited

U.S. PATENT DOCUMENTS

D. 246,667 12/1977 Mackay et al. D24/111

1 Claim, 4 Drawing Sheets



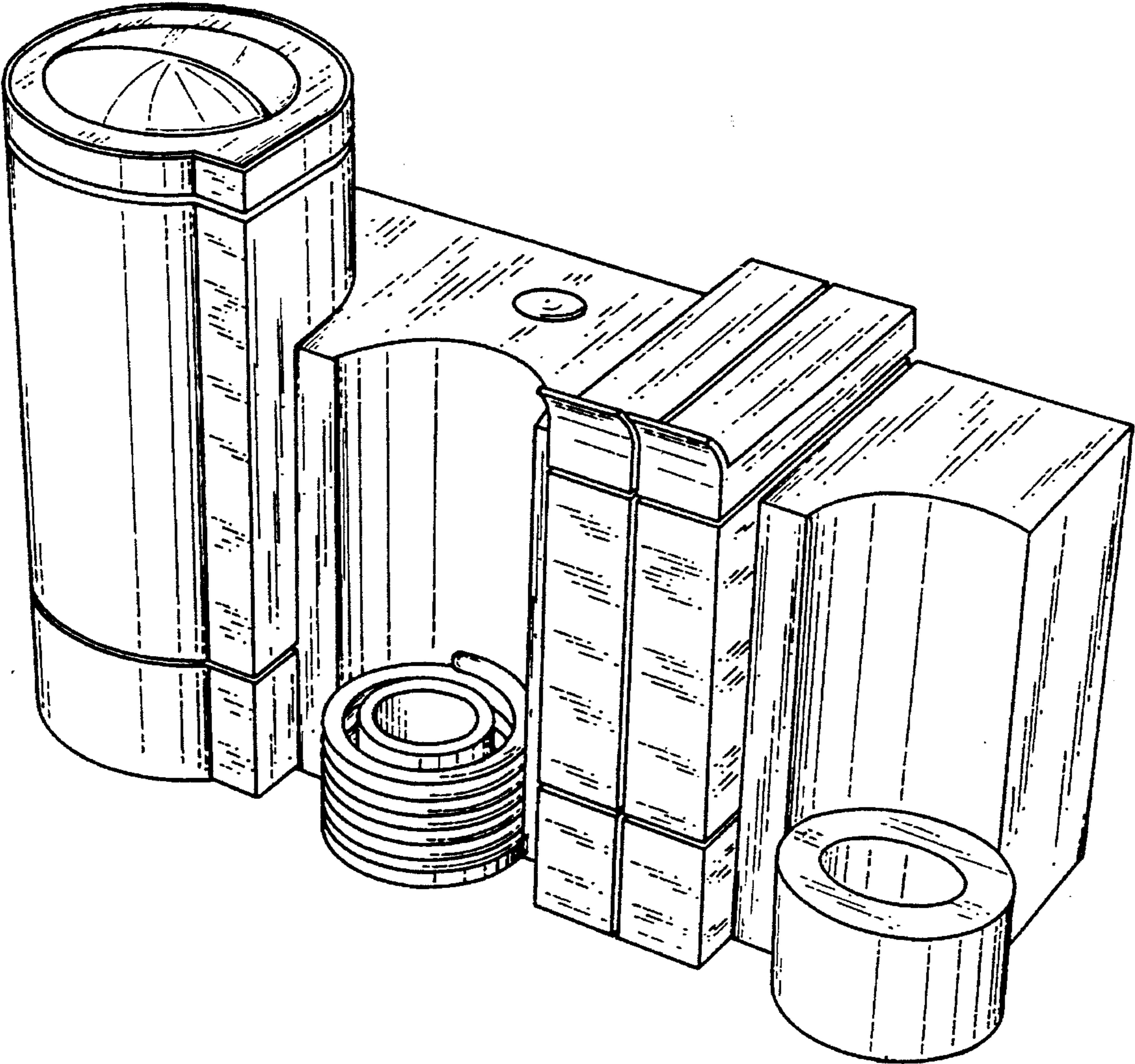


FIG. 1

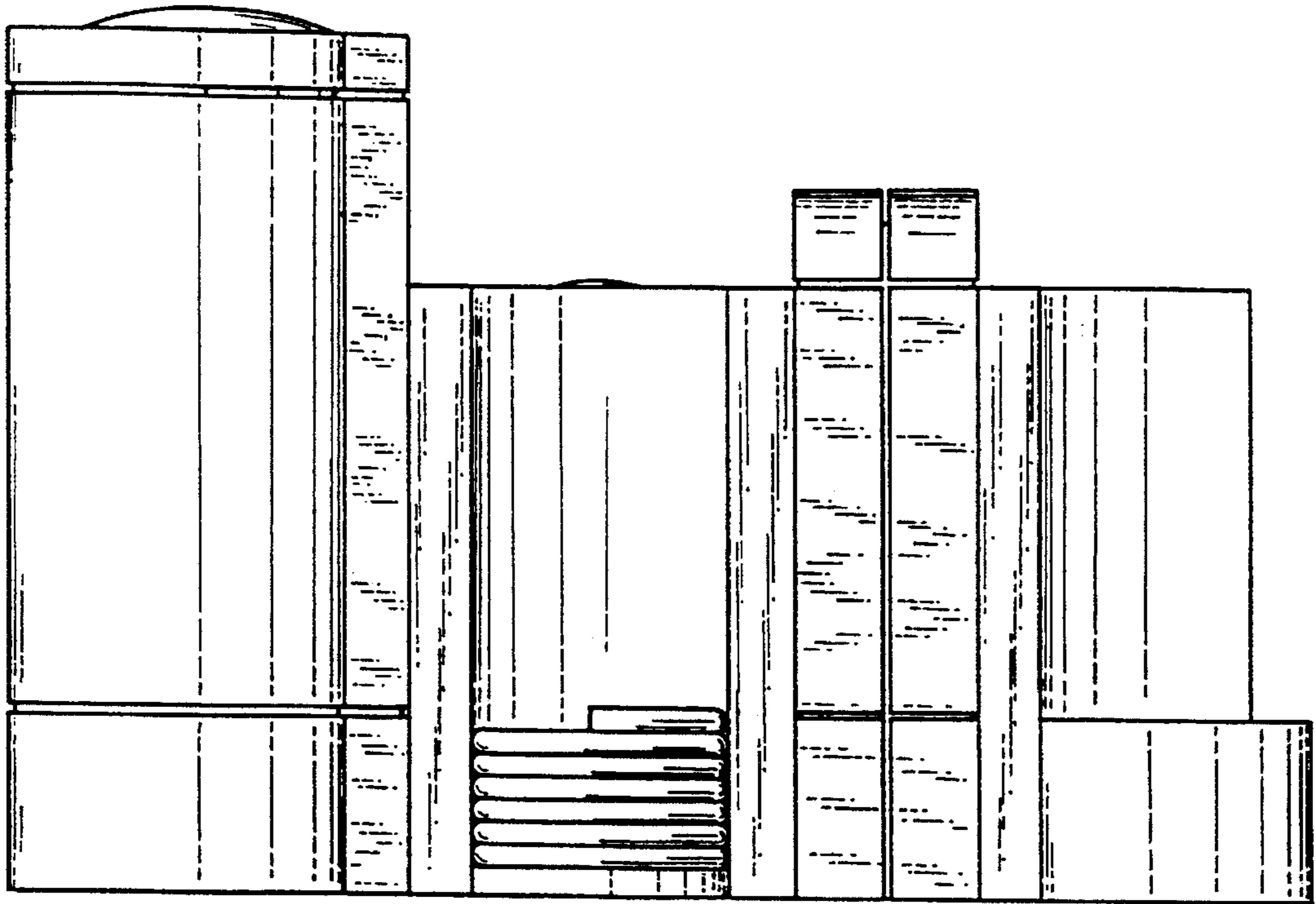


FIG. 2

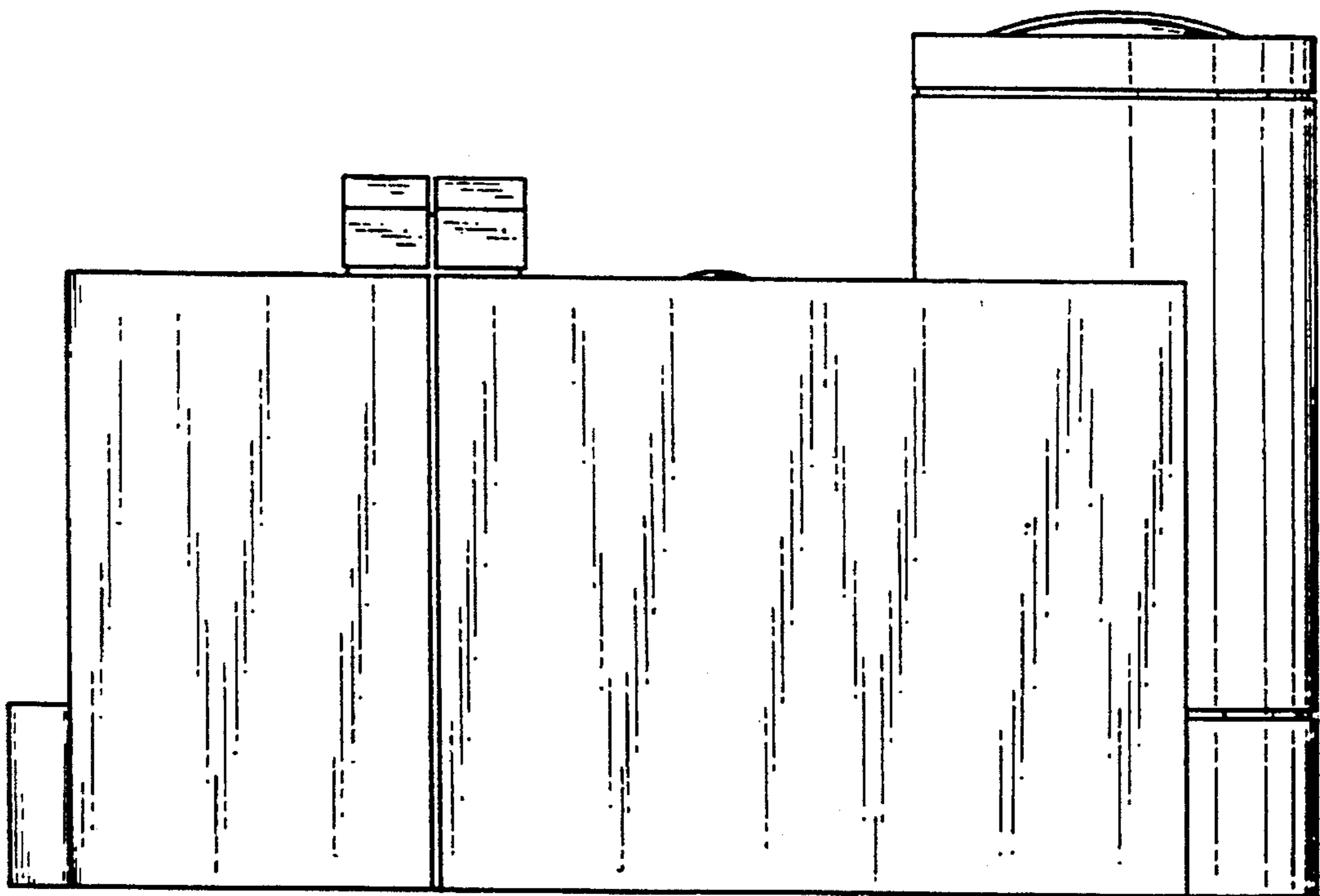


FIG. 3

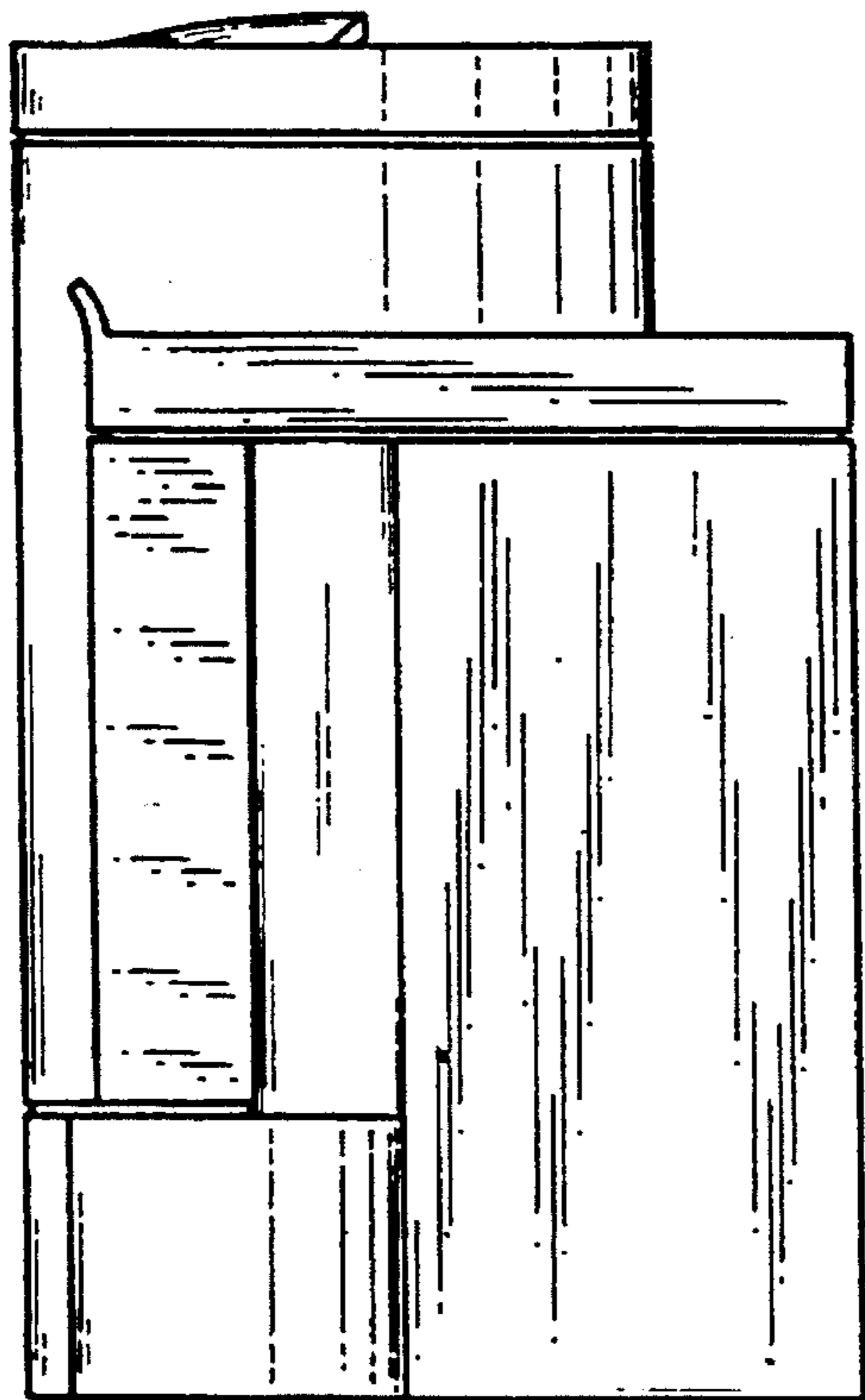


FIG. 4

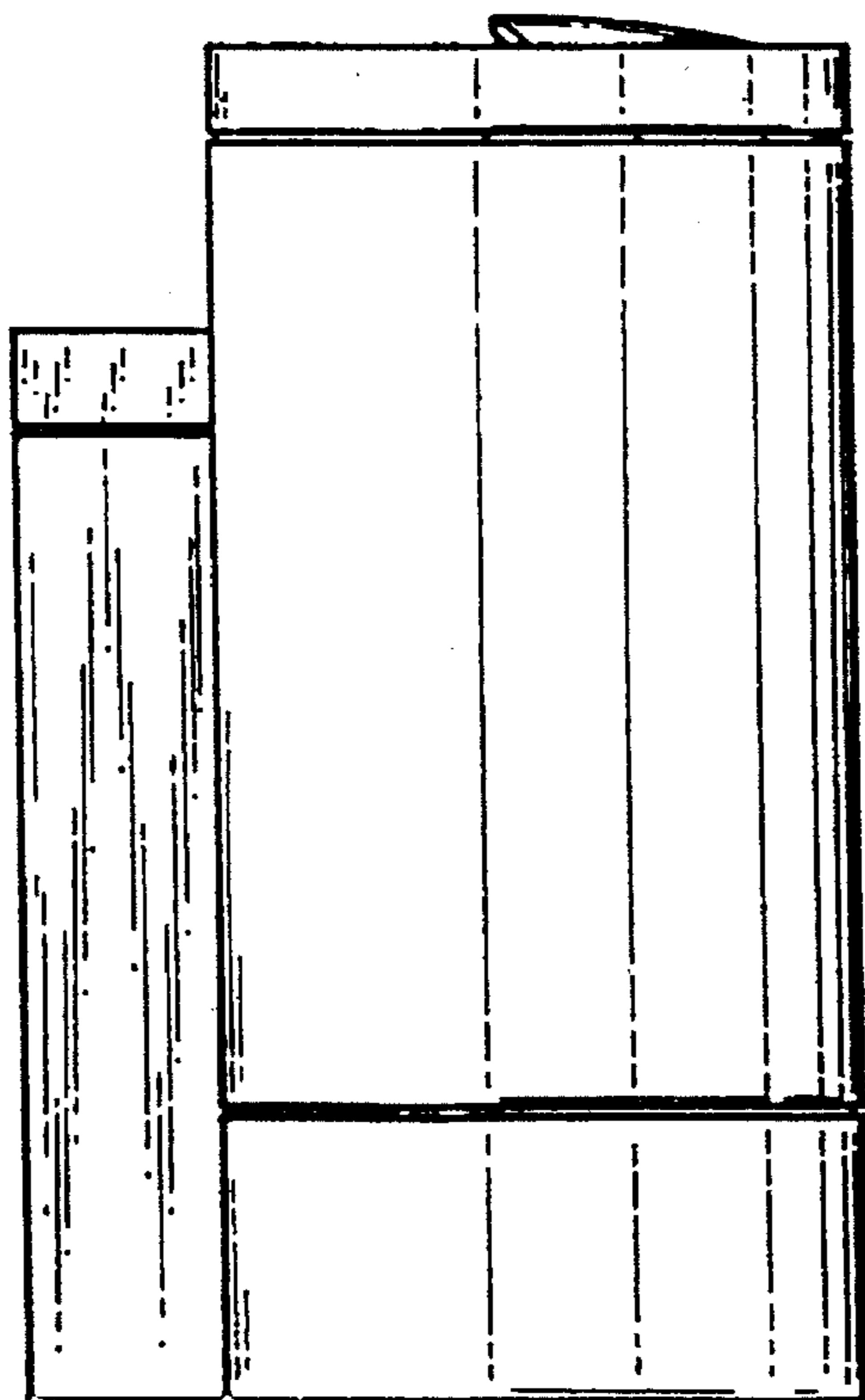


FIG. 5

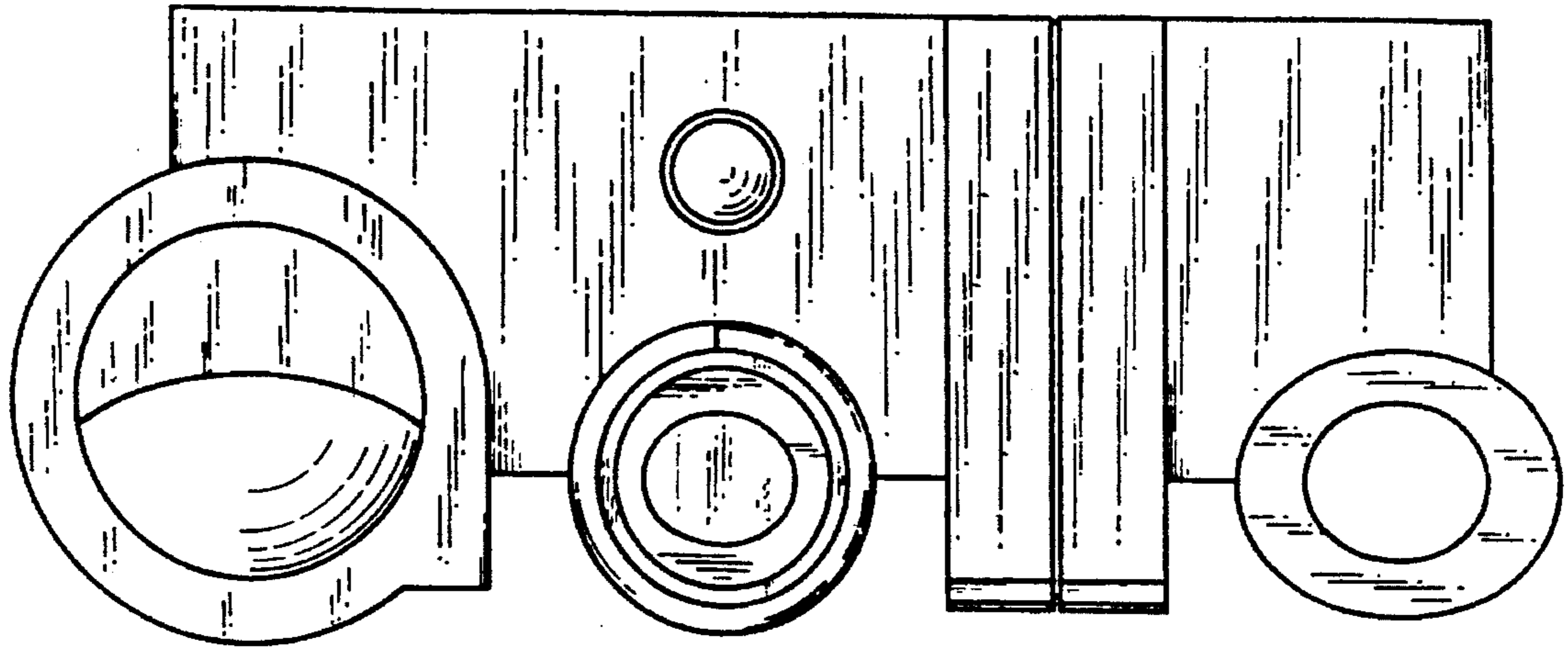


FIG. 6

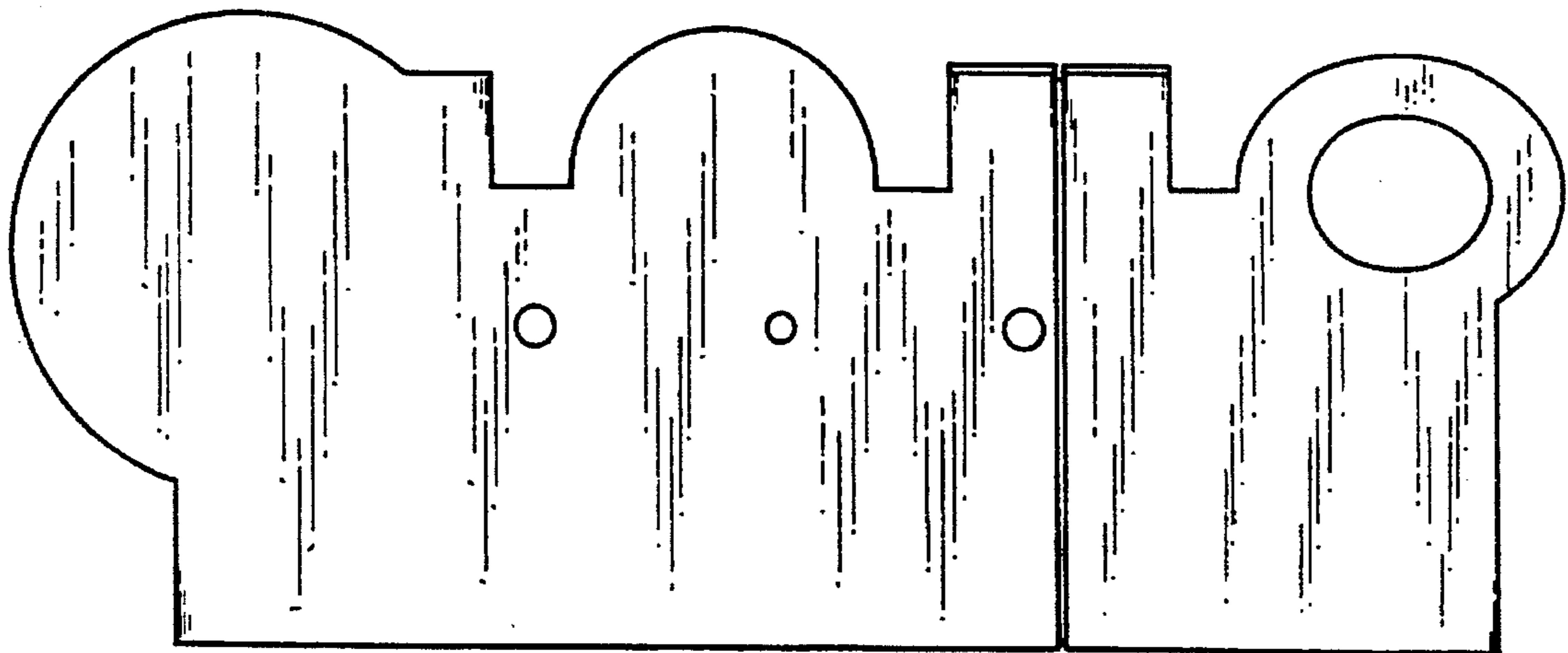


FIG. 7