



US00D369654S

# United States Patent [19]

Chiu et al.

[11] Patent Number: **Des. 369,654**

[45] Date of Patent: **\*\*May 7, 1996**

[54] **PORTABLE HUMIDIFIER**

[75] Inventors: **Bernard Chiu**, Wellesley; **John Longan**, Natick, both of Mass.; **Robert L. Marvin, Jr.**, Farmington, Conn.

[73] Assignee: **Duracraft Corporation**, Southborough, Mass.

[\*\*] Term: **14 Years**

[21] Appl. No.: **37,745**

[22] Filed: **Apr. 17, 1995**

[52] U.S. Cl. .... **D23/356; D23/358**

[58] Field of Search ..... **D23/356-363; 261/107, 104; 392/406, 403, 405, 395**

[56] **References Cited**

### U.S. PATENT DOCUMENTS

D. 282,001 12/1985 Muchenberger ..... D23/356

*Primary Examiner*—Lisa P. Lichtenstein  
*Attorney, Agent, or Firm*—John E. Toupal; Harold G. Jarcho

### [57] CLAIM

The ornamental design for a portable humidifier, as shown and described.

### DESCRIPTION

FIG. 1 is a front right perspective view of a portable humidifier;

FIG. 2 is a right side elevational view thereof the opposite side being a mirror image of that shown;

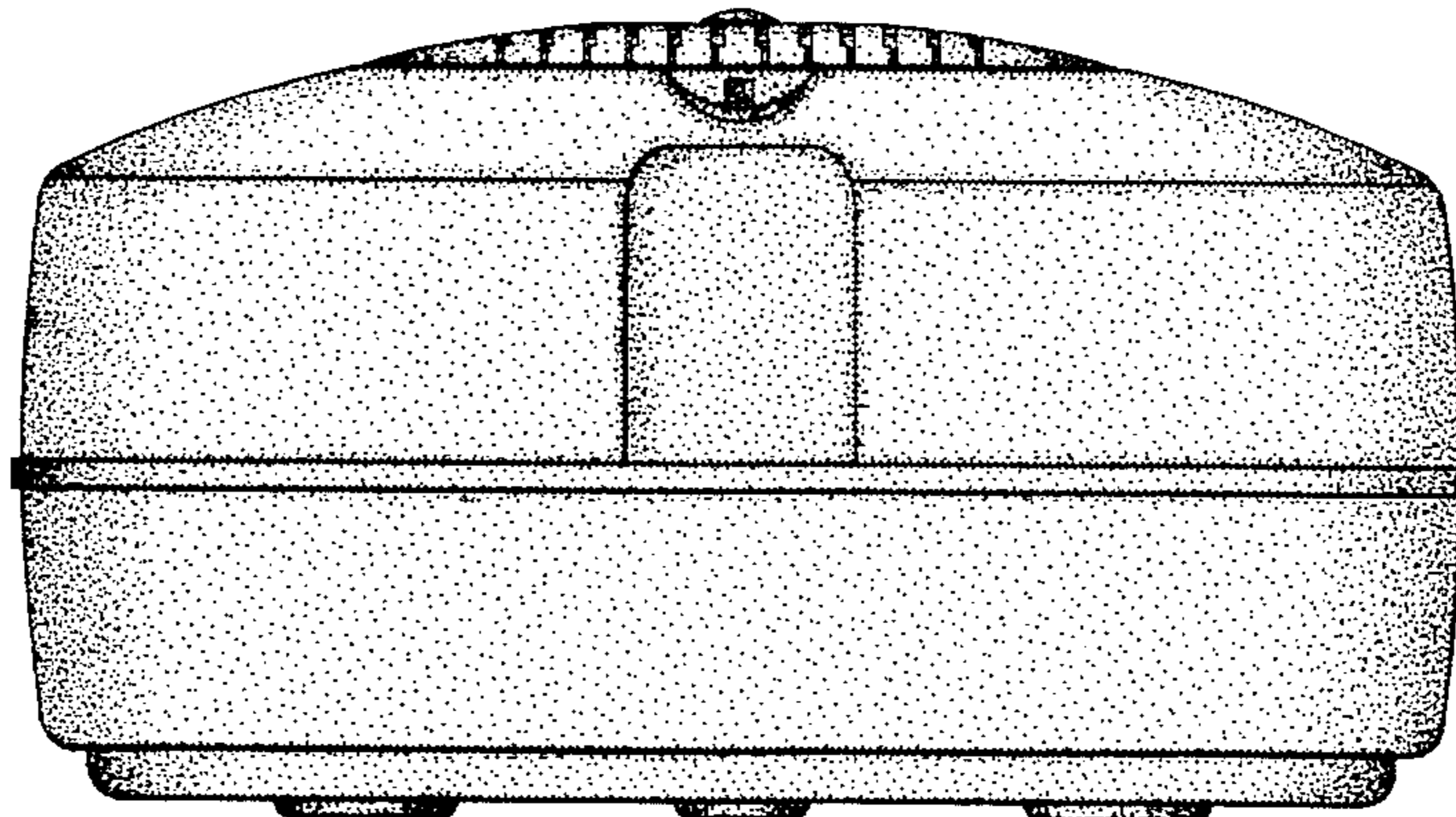
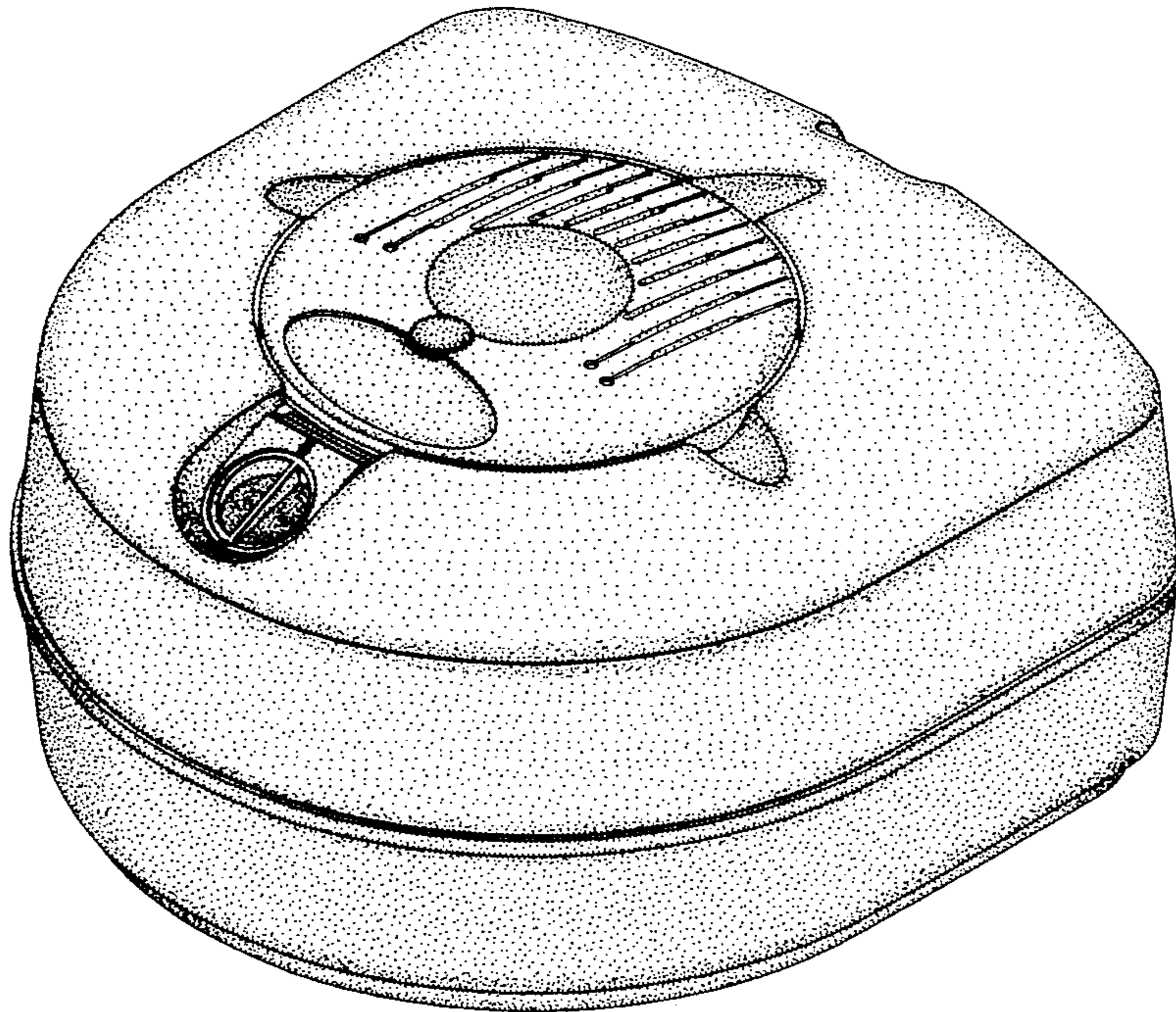
FIG. 3 is a front elevational view thereof;

FIG. 4 is a rear elevational view thereof;

FIG. 5 is a top plan view thereof; and,

FIG. 6 is a bottom plan view thereof.

**1 Claim, 4 Drawing Sheets**



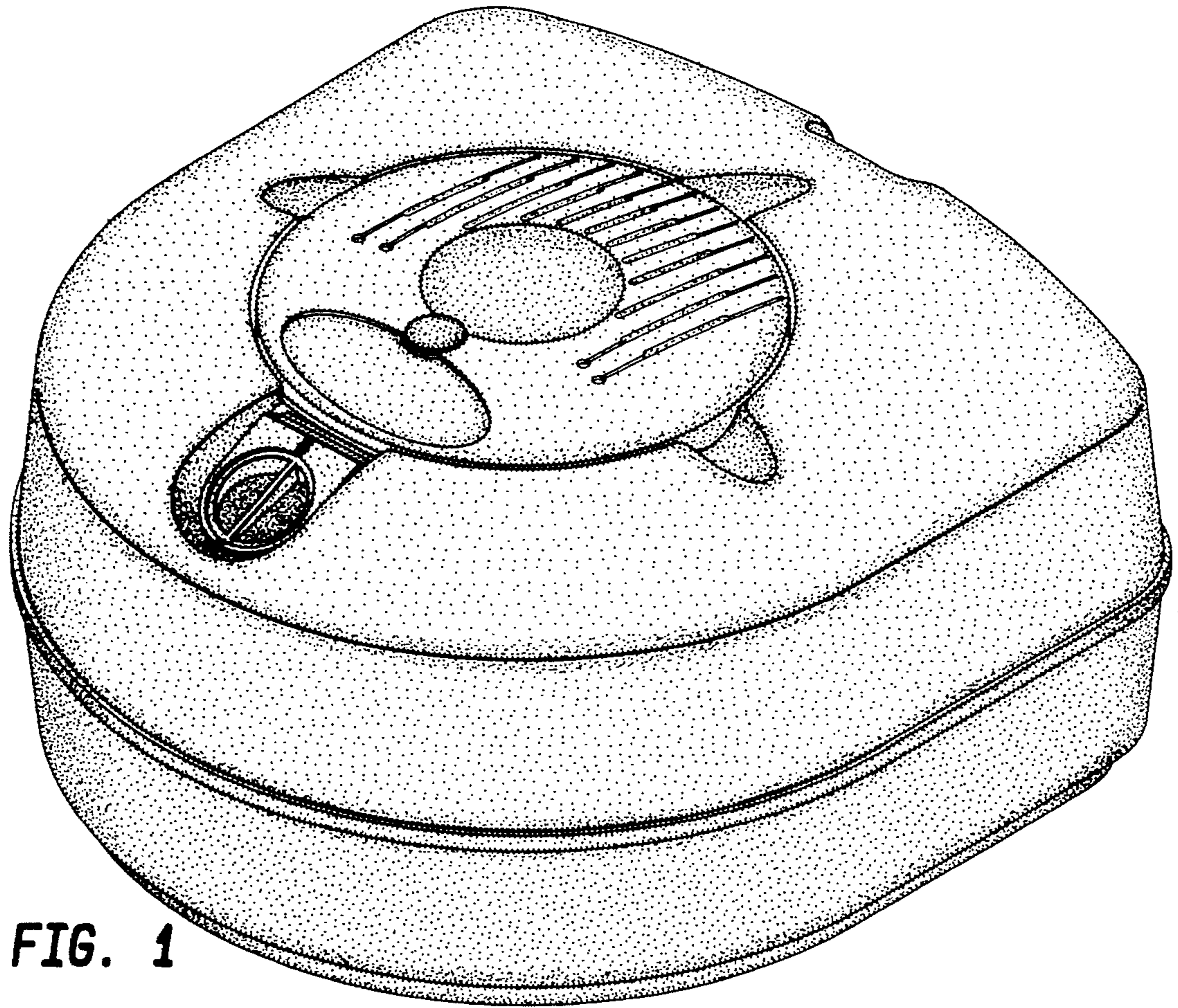


FIG. 1

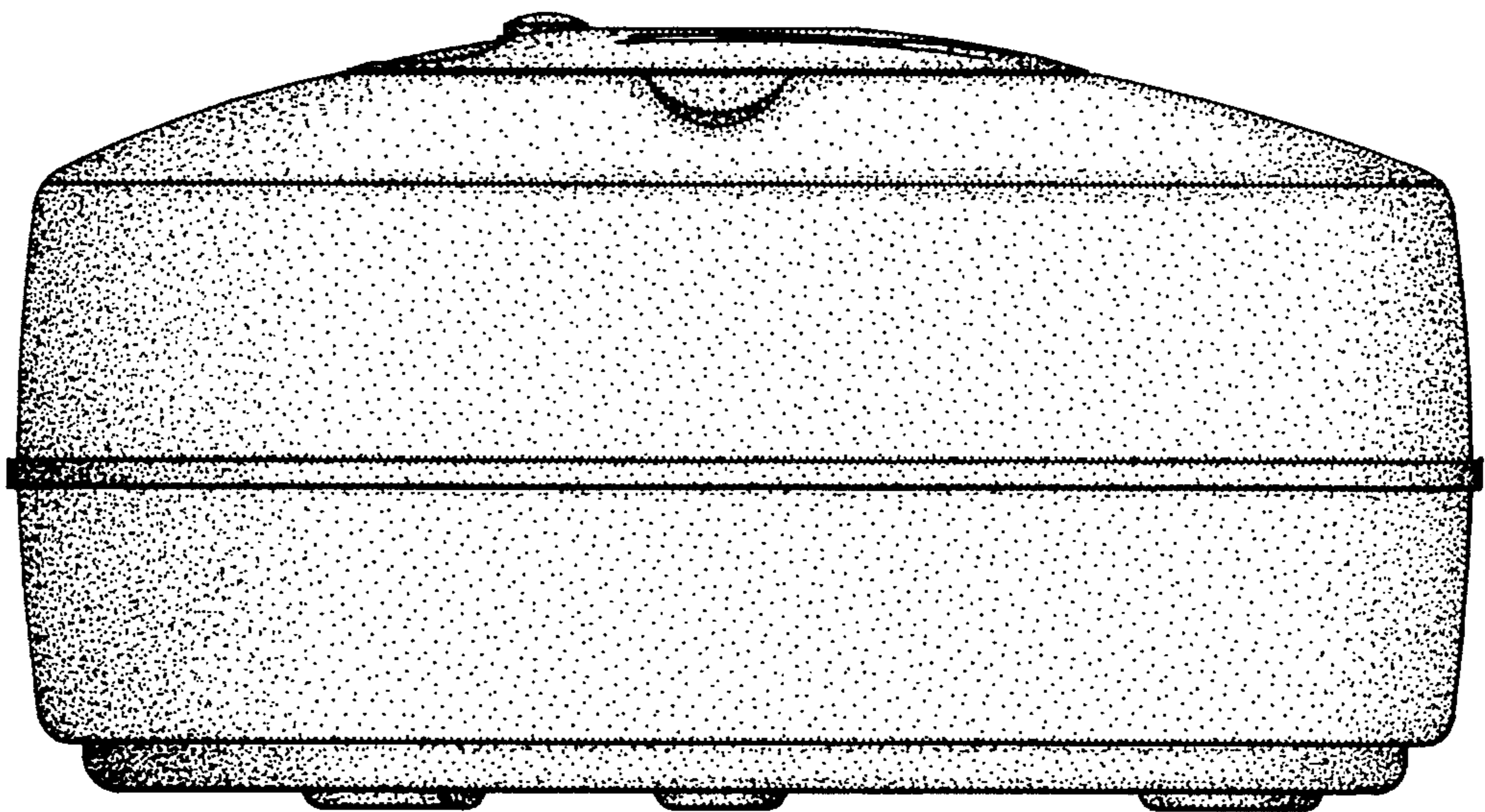


FIG. 2

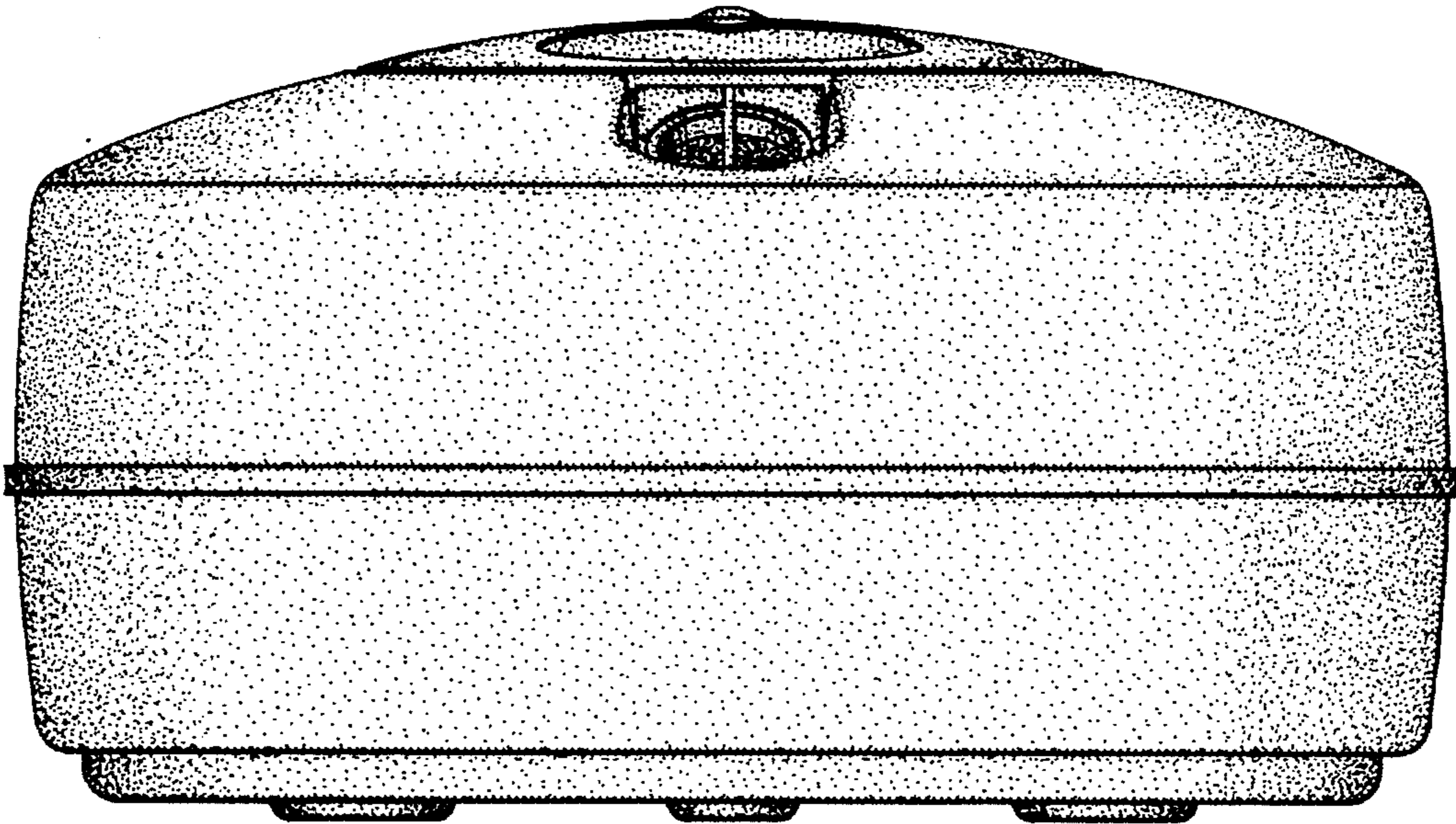


FIG. 3

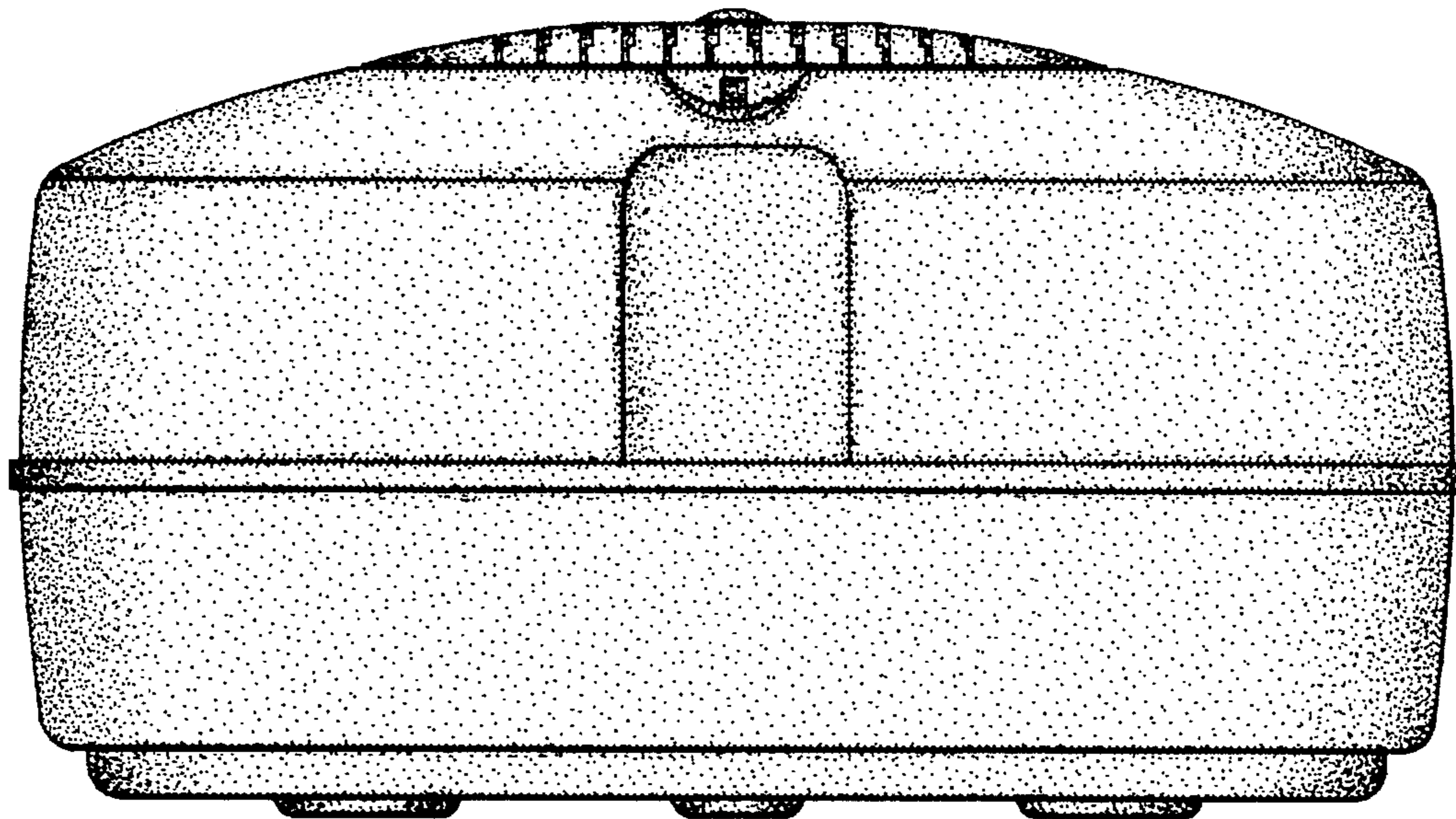
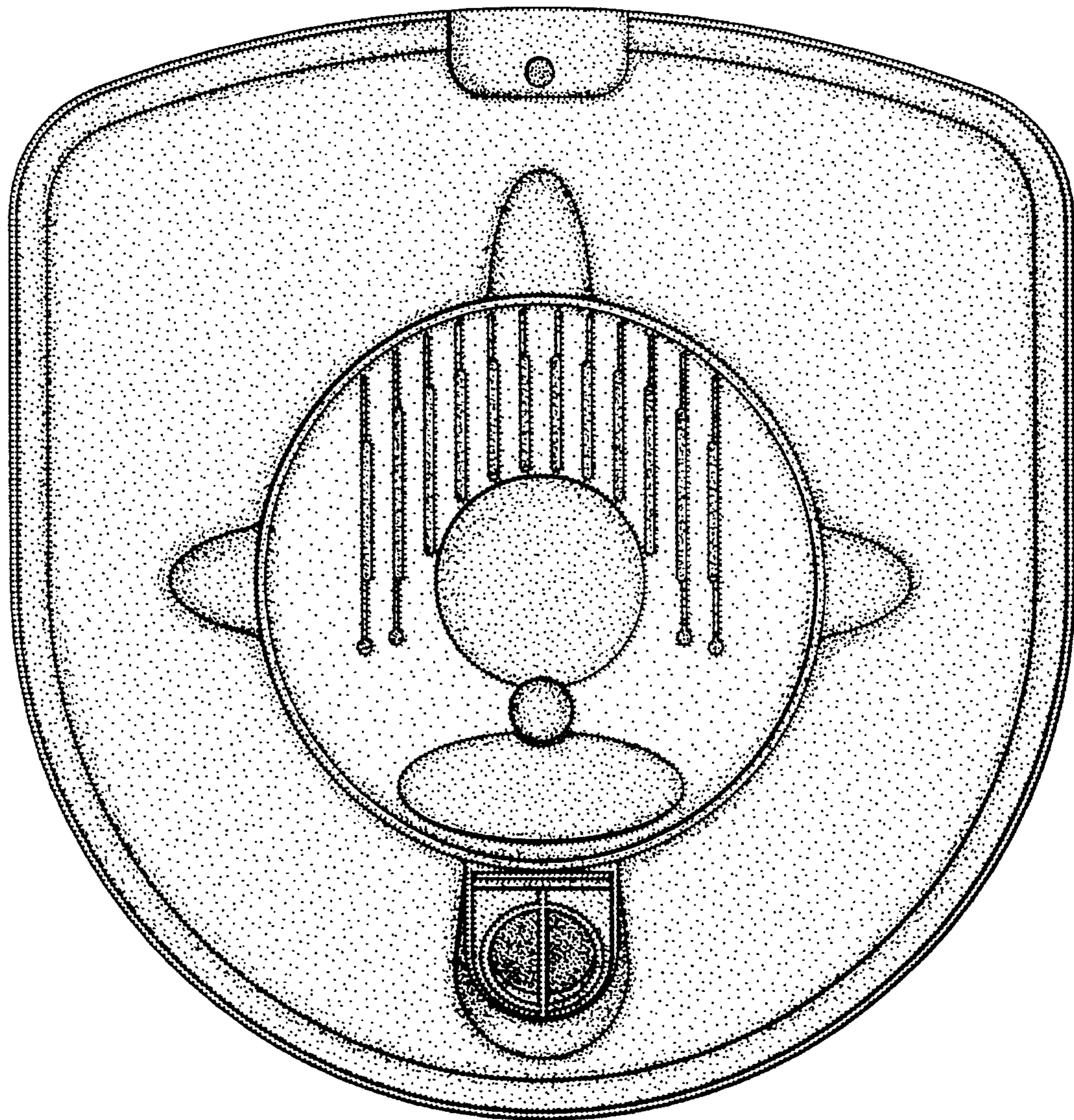


FIG. 4



**FIG. 5**

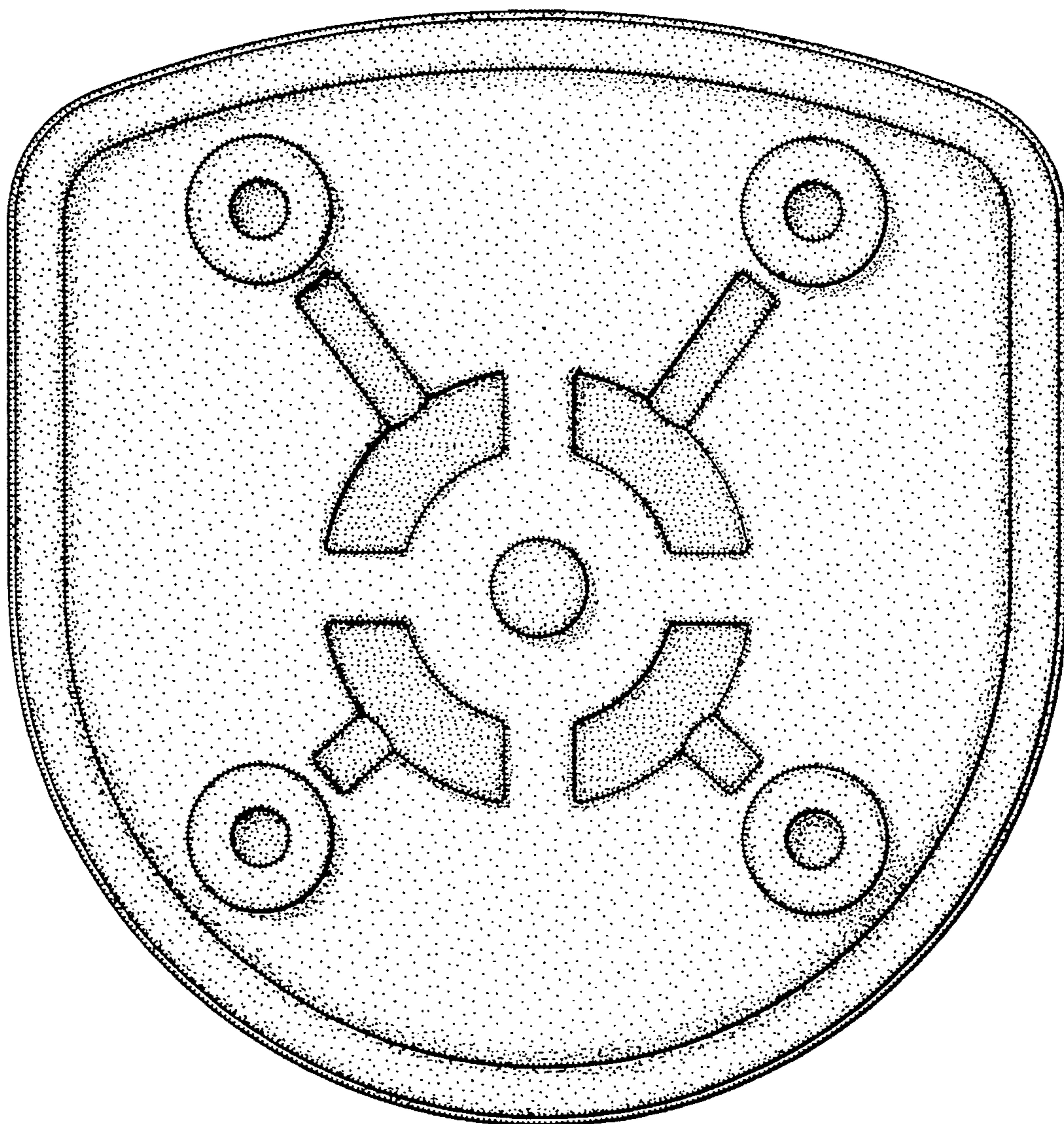


FIG. 6