



US00D369653S

United States Patent [19]

Zaccagni

[11] Patent Number: **Des. 369,653**

[45] Date of Patent: ****May 7, 1996**

[54] **RAIN GUTTER LIP**

[75] Inventor: **Richard J. Zaccagni**, Downers Grove, Ill.

[73] Assignee: **ZMC, Inc.**, Addison, Ill.

[**] Term: **14 Years**

[21] Appl. No.: **39,746**

[22] Filed: **Jun. 5, 1995**

Related U.S. Application Data

[63] Continuation-in-part of Ser. No. 304,277, Sep. 12, 1994, which is a continuation-in-part of Ser. No. 238,657, May 5, 1994, abandoned.

[52] **U.S. Cl.** **D23/267; D25/119**

[58] **Field of Search** **D23/267, 266; D25/124, 125; 248/48.1, 48.2; 52/11, 73.21; D8/366, 371, 354, 349**

[56] References Cited

U.S. PATENT DOCUMENTS

688,595	12/1901	Coe	52/11
846,238	3/1907	O'Dowd	52/11
2,843,063	7/1958	Thomson	52/11
2,890,664	6/1959	Rachlin	52/11
3,239,172	3/1966	Chalmers	248/48.2
3,296,749	1/1967	Cotter	248/48.2
3,426,987	2/1986	Leslie	248/48.2
3,550,381	12/1970	South	52/11 X
3,612,453	10/1971	Zimmer	52/11
3,744,203	7/1973	Sablom, Jr.	52/11
3,864,882	2/1975	Lasscock	52/11
3,874,131	1/1975	Webster	52/11
3,913,284	10/1975	Hall	52/11
3,939,616	2/1976	Schapker	52/94
4,043,527	8/1977	Franzmeier	248/48.2
4,092,808	6/1978	Maloney, Jr. et al.	52/11
4,195,452	1/1980	Smith et al.	52/11
4,345,731	8/1982	Rowe	248/48.2

4,461,128	7/1984	Knoebel	52/94
4,580,374	4/1986	Quinnell	52/95
4,848,045	7/1989	Nichols et al.	52/94
5,228,247	7/1993	Dressler	248/48.1

FOREIGN PATENT DOCUMENTS

32112	2/1973	Australia	52/11
654296	12/1962	Canada	248/48.2
1270110	6/1990	Canada	52/11
2678013	12/1992	France	52/11
2726607	12/1978	Germany	52/11
2735975	2/1979	Germany	52/11
93934	3/1959	Norway	52/11
11434211	2/1960	United Kingdom	52/11
848635	9/1960	United Kingdom	52/11
1469769	4/1978	United Kingdom	52/11
2239274	6/1991	United Kingdom	52/11

Primary Examiner—Louis S. Zarfes

Assistant Examiner—Greg Andull

Attorney, Agent, or Firm—Dressler, Goldsmith, Shore & Milnamow, Ltd.

[57] CLAIM

The ornamental design for a rain gutter lip, as shown and described.

DESCRIPTION

FIG. 1 is a perspective view of a rain gutter lip, as seen from an upper, front vantage, the rain gutter lip being of indefinite length;

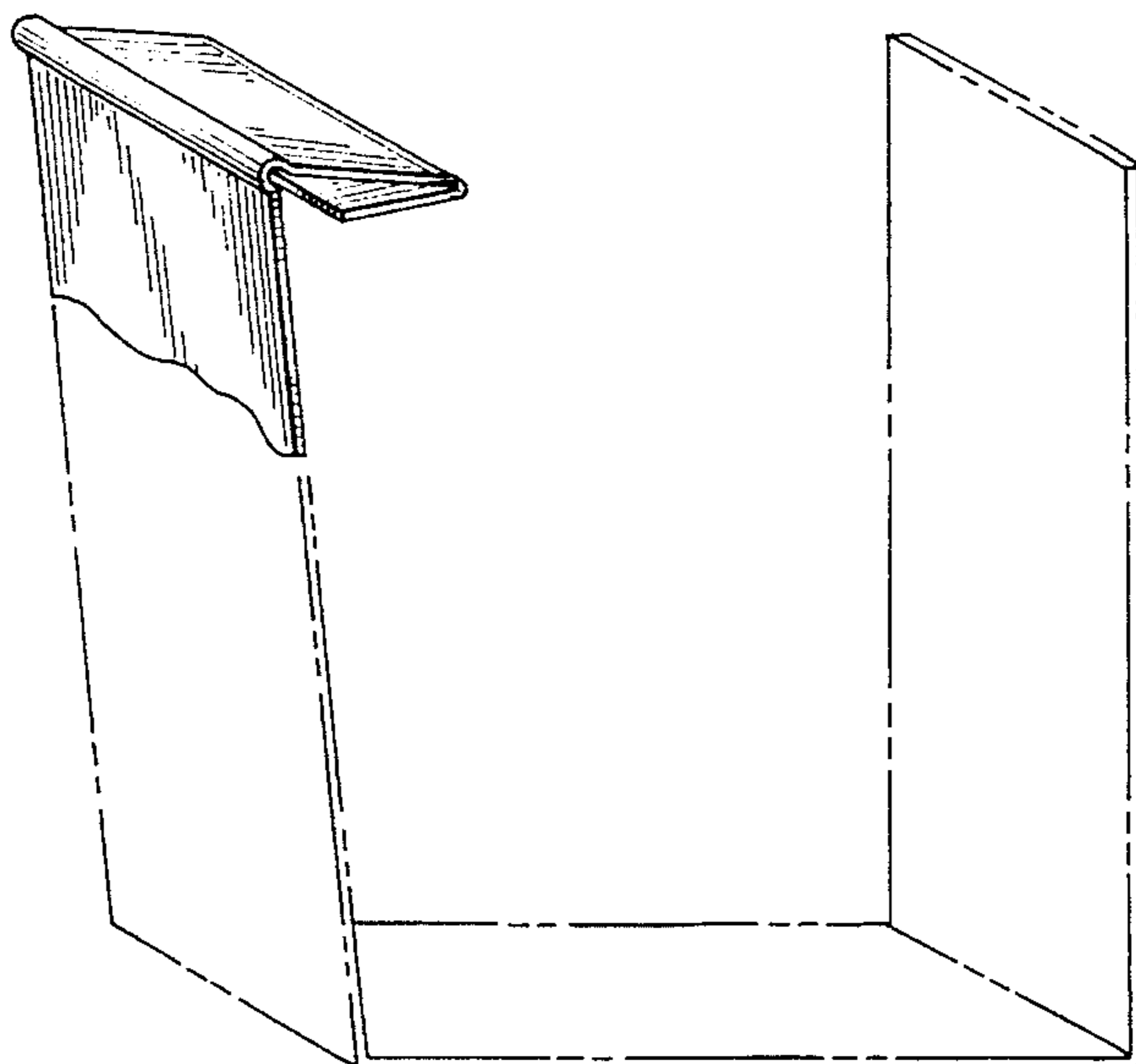
FIG. 2 is a top, plan view thereof;

FIG. 3 is a front, elevational view thereof; and

FIG. 4 is an end view thereof, as seen from one end, the other end being a mirror image.

The claimed design is embodied in a rain gutter lip, not in other portions of a rain gutter, and the broken lines showing of other portions of a rain gutter comprising a lip embodying the claimed design is for illustrative purposes only and forms no part of the claimed design.

1 Claim, 1 Drawing Sheet



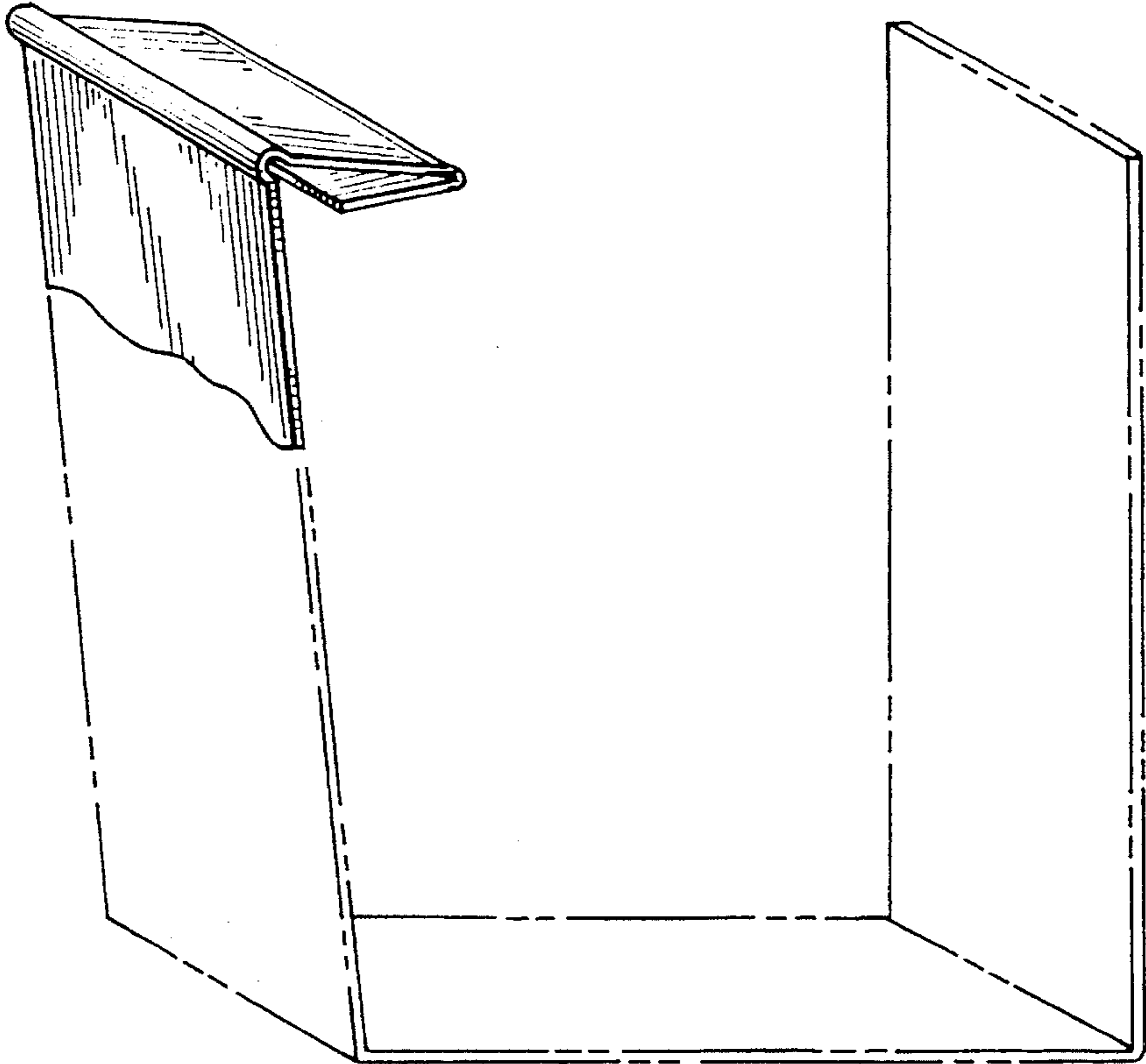


FIG. 1

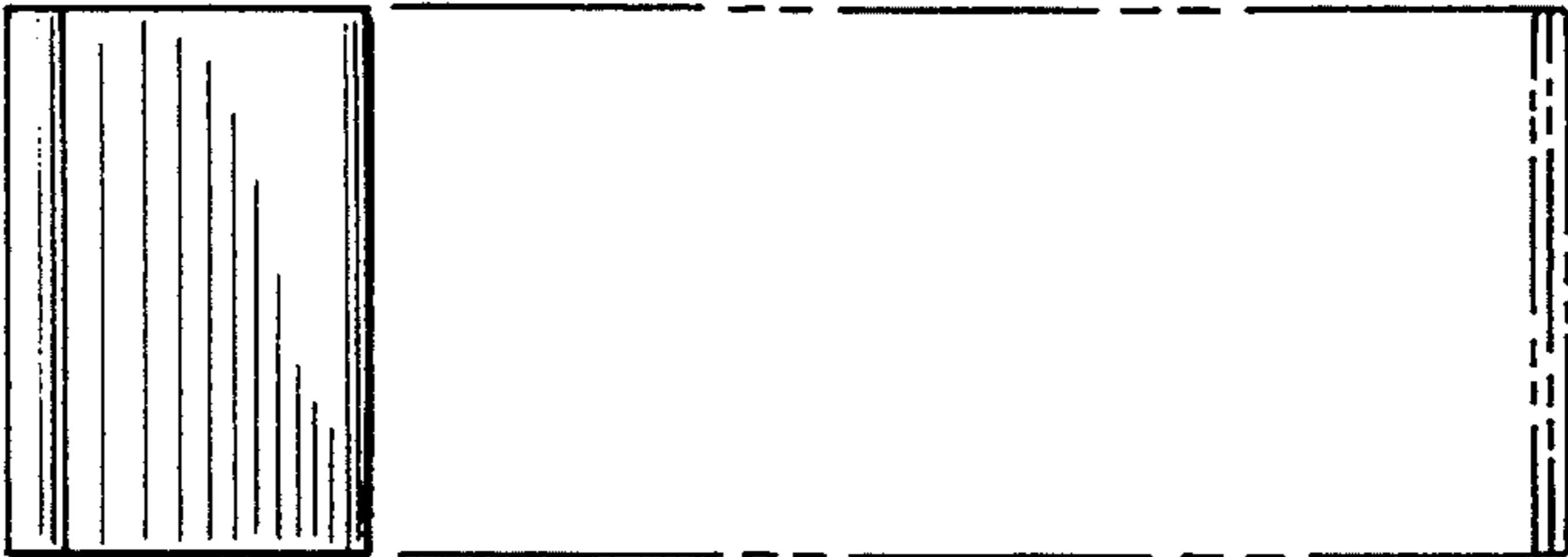


FIG. 2

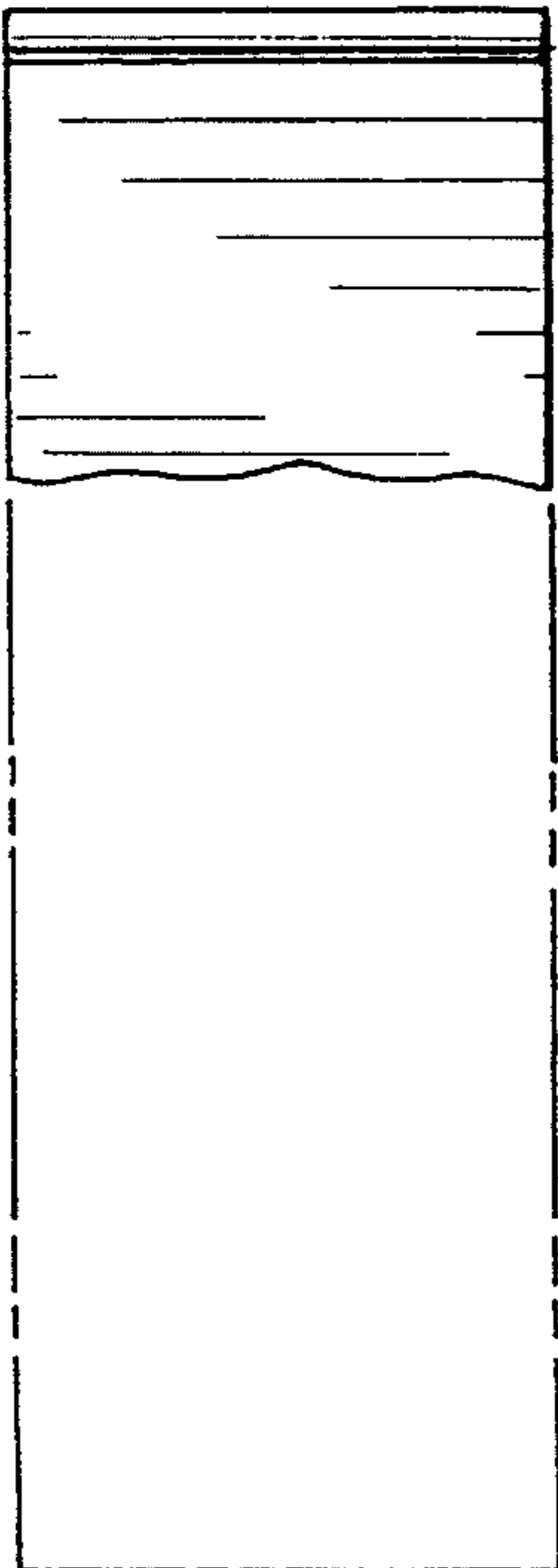


FIG. 3

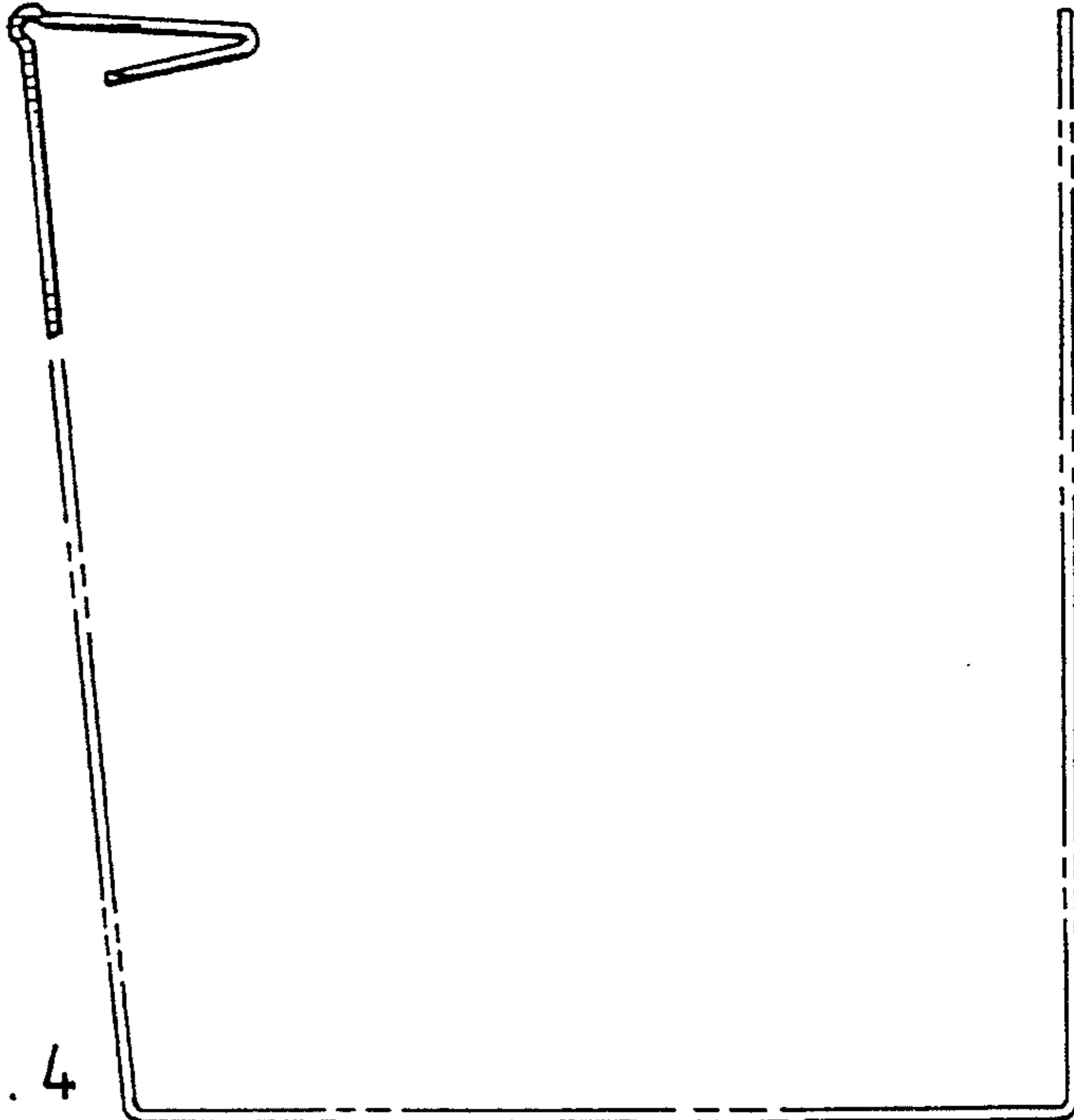


FIG. 4