



US00D369652S

United States Patent [19]

Mathison et al.

[11] Patent Number: Des. 369,652

[45] Date of Patent: **May 7, 1996

[54] **MINIATURE PNEUMATIC TEST PLUG ASSEMBLY**

[75] Inventors: **Allen D. Mathison**, Richfield; **Marc P. Bevacco**, New Hope, both of Minn.

[73] Assignee: **Cherne Industries Incorporated**, Minneapolis, Minn.

[**] Term: **14 Years**

[21] Appl. No.: **33,941**

[22] Filed: **Jan. 24, 1995**

[52] U.S. Cl. **D23/260**

[58] Field of Search D23/259, 260; 220/352, DIG. 19; 138/89, 97, 88, 93, 109; 4/286-288, 290, 292, 295, 256.1

[56] **References Cited**

U.S. PATENT DOCUMENTS

3,086,540 4/1963 Anderson 138/93 X
3,173,449 3/1965 Custer et al. 138/93

OTHER PUBLICATIONS

Cherne Industries Incorporated, *Cherne Single-Size Test-Ball Plugs*, 1990, Product Sheet, 1 page.

Primary Examiner—Louis S. Zarfes

Assistant Examiner—E. Watterson

Attorney, Agent, or Firm—Anthony G. Eggink

[57] **CLAIM**

The ornamental design for a miniature pneumatic test plug assembly, as shown and described.

DESCRIPTION

FIG. 1 is a side view of a miniature pneumatic test plug assembly, showing our new design; the opposite side view being a mirror image thereof; the dotted line showing of a tag attached to the assembly being for environmental purposes only and does not form a part of the invention;

FIG. 2 is a top view thereof; the bottom view being a mirror image thereof;

FIG. 3 is an end view thereof;

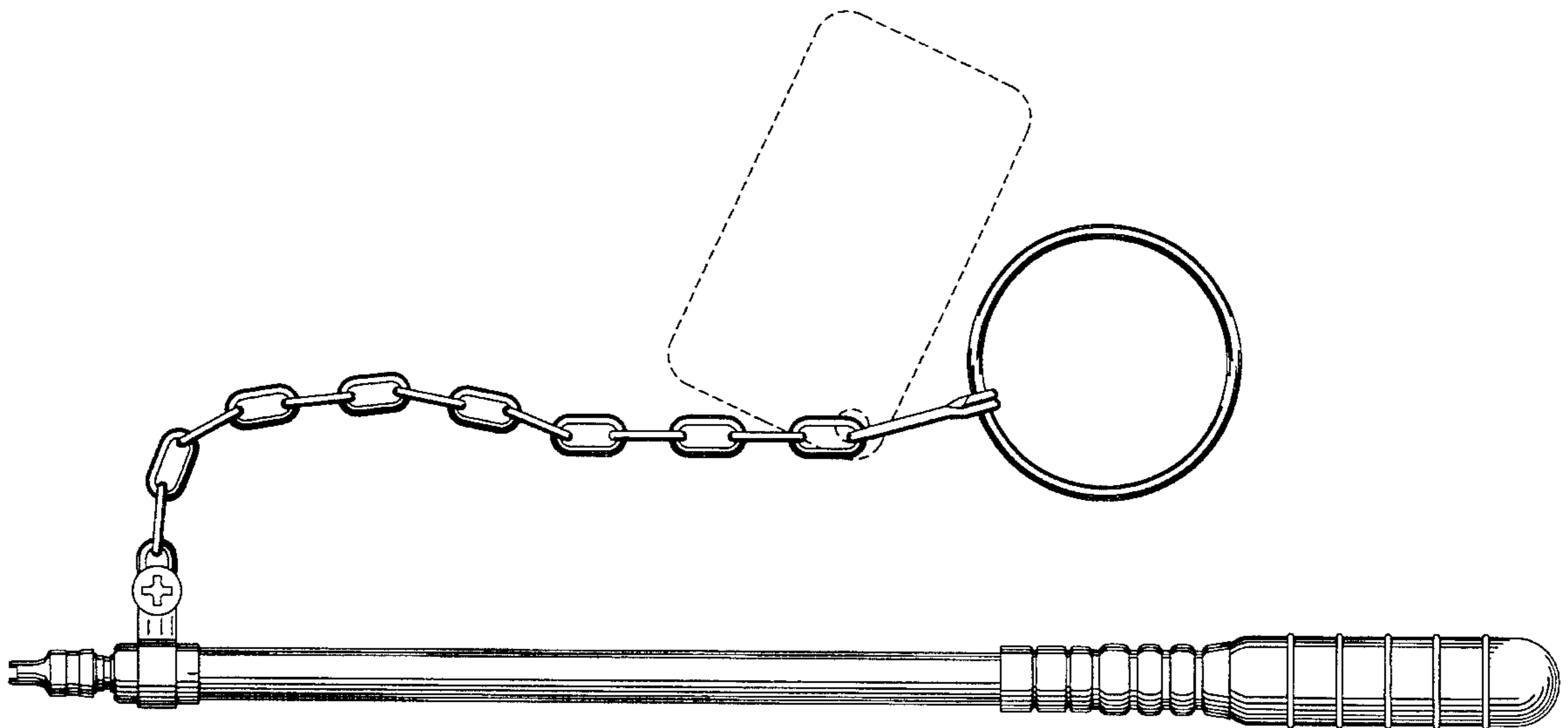
FIG. 4 is an end view thereof and being opposite the end shown in FIG. 3;

FIG. 5 is a side view showing the miniature pneumatic test plug expanded in a pipe; the dotted line showing of the pipe and the tag of the assembly are for environmental purposes only and do not form a part of the invention;

FIG. 6 is a perspective view of the miniature pneumatic test plug assembly; the dotted line showing of a tag attached to the assembly being for environmental purposes only and does not form a part of the invention; and,

FIG. 7 is a side view of the miniature pneumatic test plug assembly with the hose in a bent position; the dotted line showing of the tag attached to the assembly being for environmental purposes only and does not form a part of the invention.

1 Claim, 7 Drawing Sheets



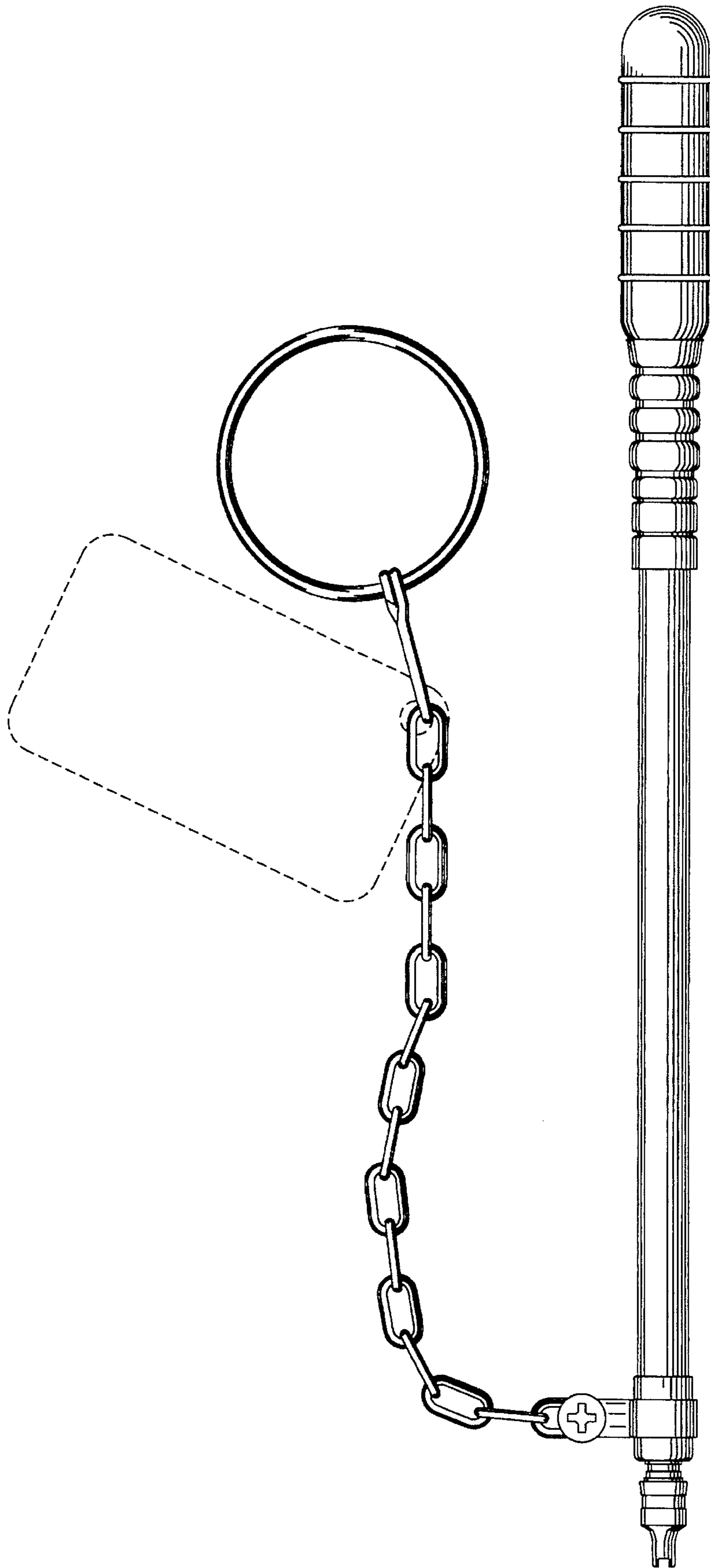


FIG. 1

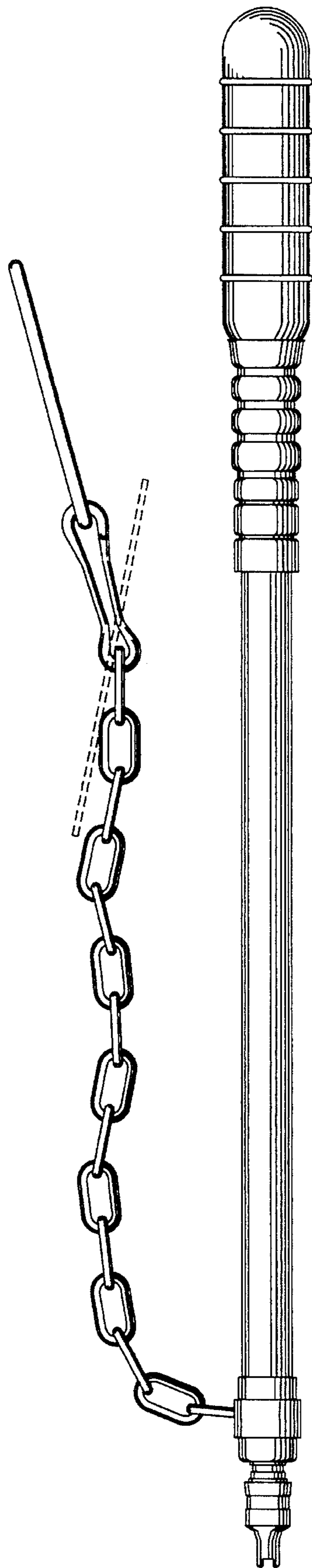


FIG. 2

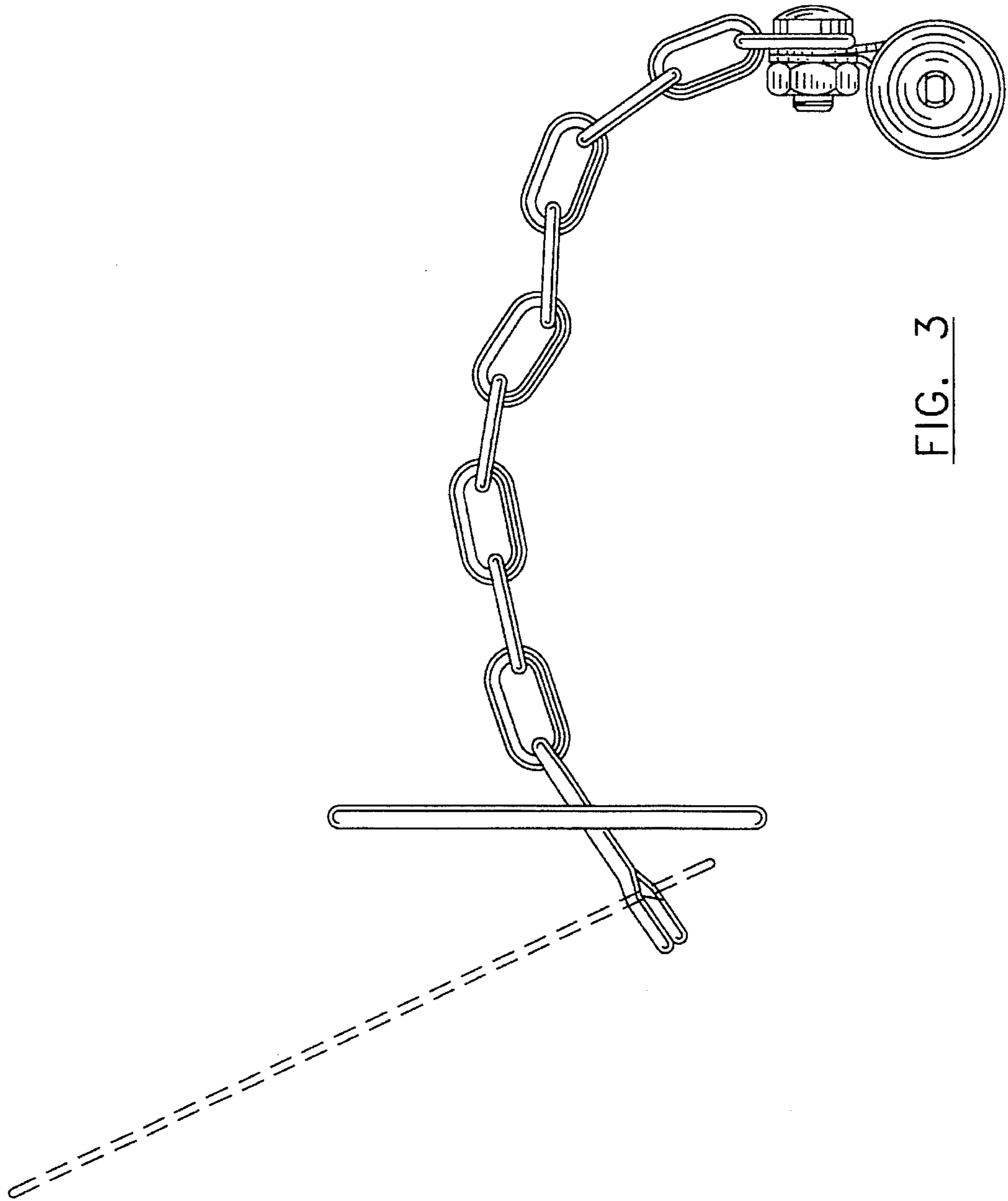


FIG. 3

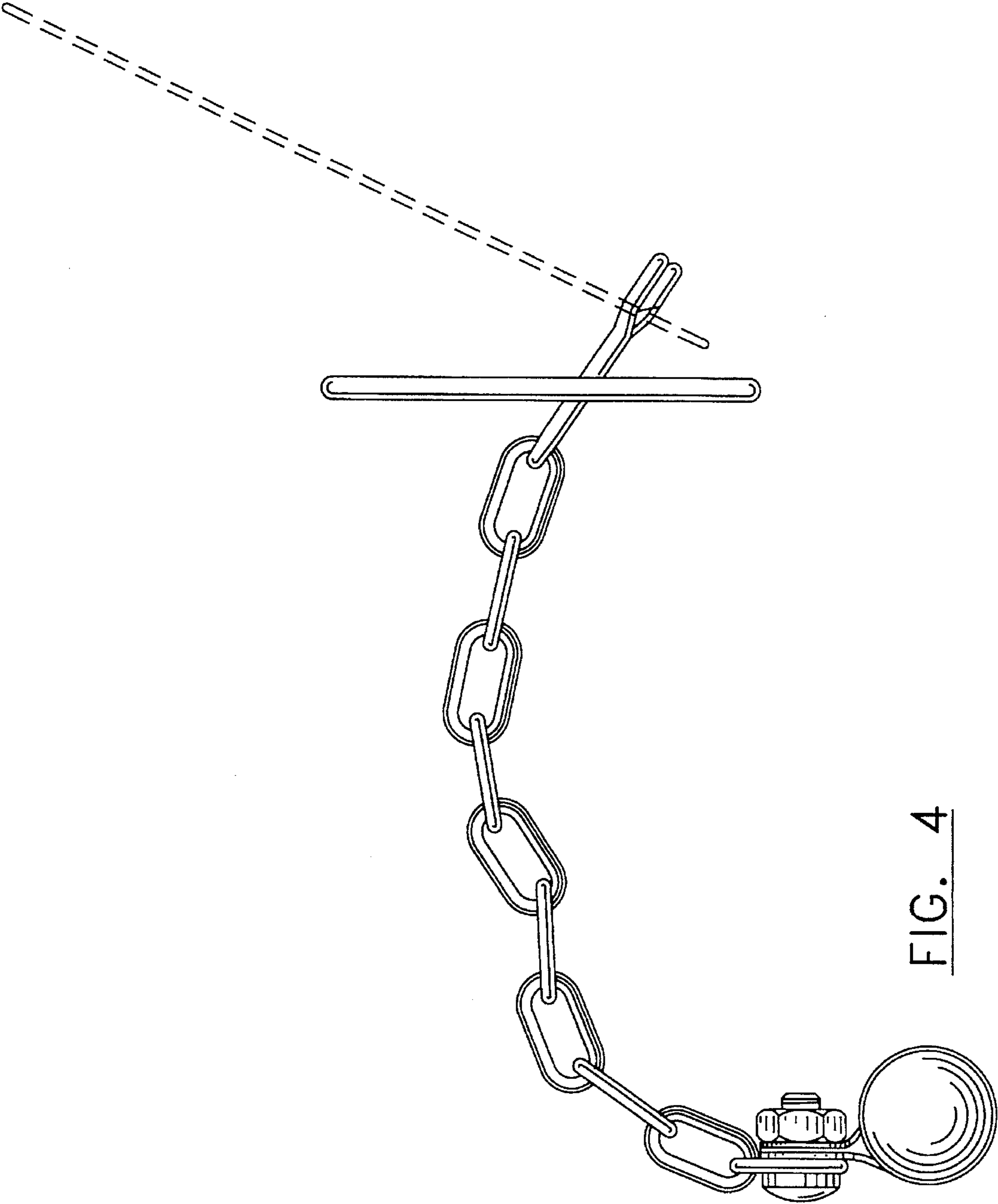


FIG. 4

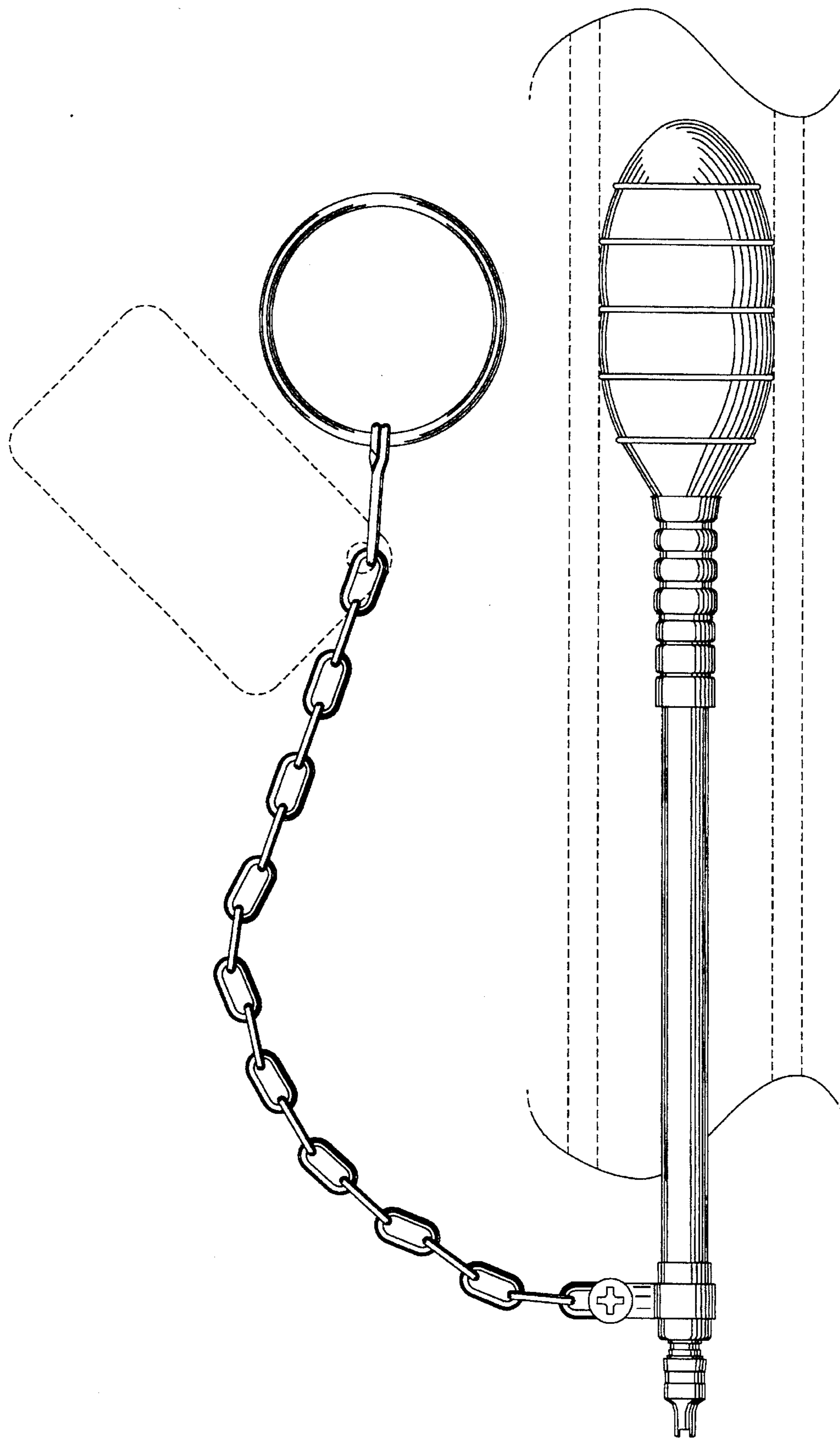


FIG. 5

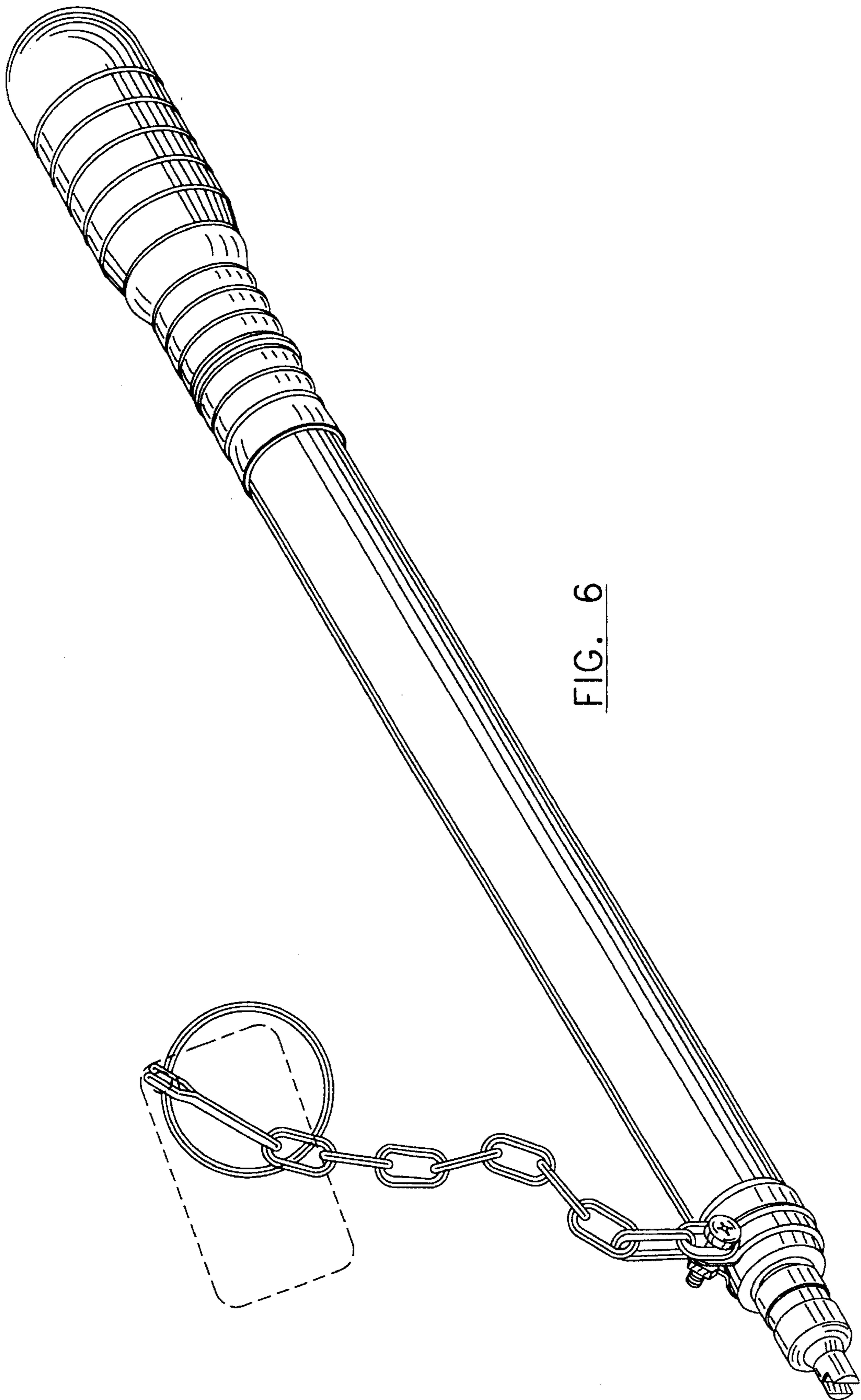


FIG. 6

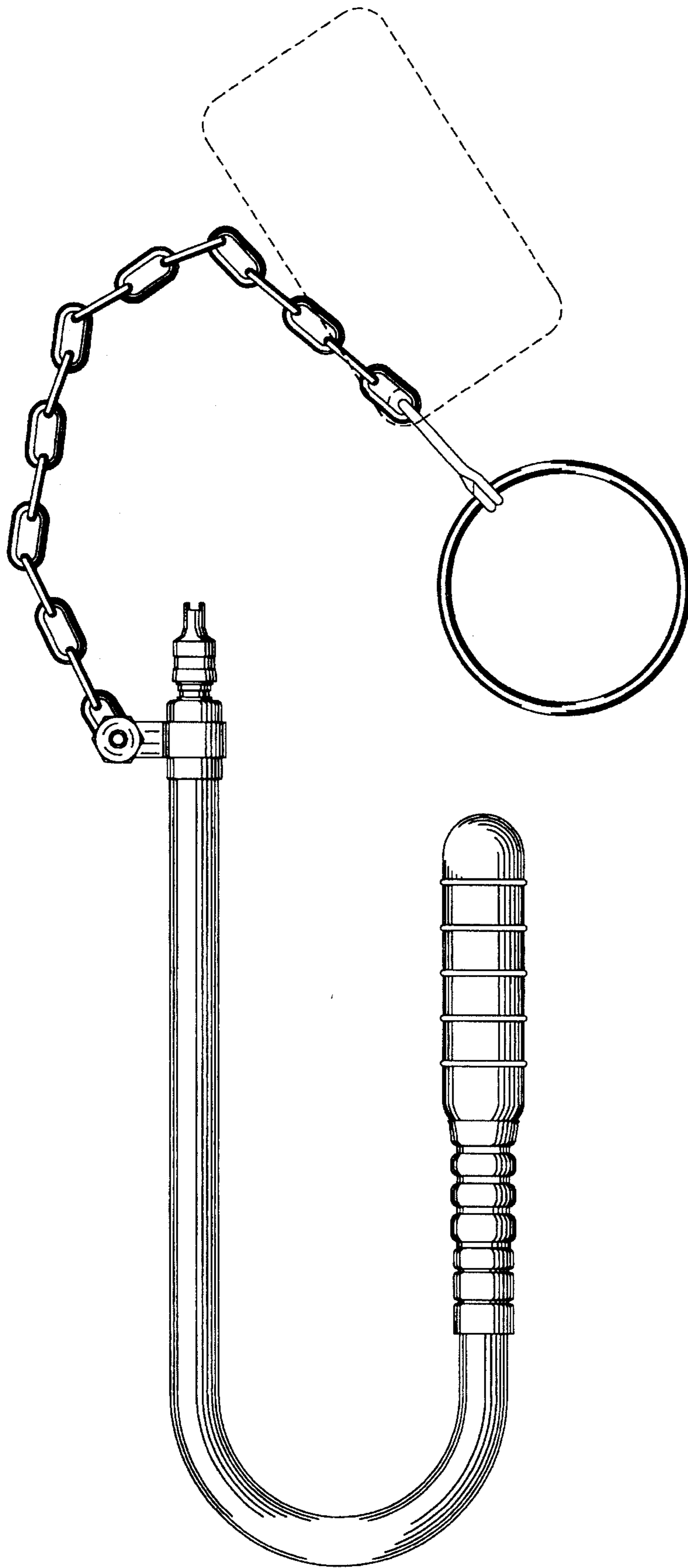


FIG. 7