



US00D369650S

United States Patent [19]

[11] Patent Number: **Des. 369,650**

Lebkuchner

[45] Date of Patent: ****May 7, 1996**

[54] **ZONE VALVE OPERATOR**

D. 234,359	2/1975	Hoben et al.	D23/235
4,560,140	12/1985	West	251/11
5,174,546	12/1992	Giordani	251/11

[75] Inventor: **Benno Lebkuchner**, Warwick, R.I.

[73] Assignee: **Sparco, Inc.**, Warwick, R.I.

[**] Term: **14 Years**

Primary Examiner—Stella Reid
Assistant Examiner—Eric Waterson
Attorney, Agent, or Firm—Salter & Michaelson

[21] Appl. No.: **33,257**

[57] **CLAIM**

[22] Filed: **Jan. 9, 1995**

The ornamental design for a zone valve operator, as shown.

[52] U.S. Cl. **D23/235**

DESCRIPTION

[58] **Field of Search** D23/233-237,
D23/244-249; 251/11, 12, 128, 214, 243;
236/68 R

FIG. 1 is a perspective view of a zone valve operator showing my new design;
FIG. 2 is a front elevational view thereof;
FIG. 3 is a rear elevational view thereof;
FIG. 4 is a top plan view thereof;
FIG. 5 is a bottom plan view thereof;
FIG. 6 is a right end view thereof; and,
FIG. 7 is a left end view thereof.

[56] References Cited

U.S. PATENT DOCUMENTS

D. 191,294	9/1961	Charnota	D23/246
D. 195,994	8/1963	Sandler	D23/246 X
D. 213,104	1/1969	Towsend	D23/233
D. 215,438	9/1969	Holm	D23/233

1 Claim, 2 Drawing Sheets

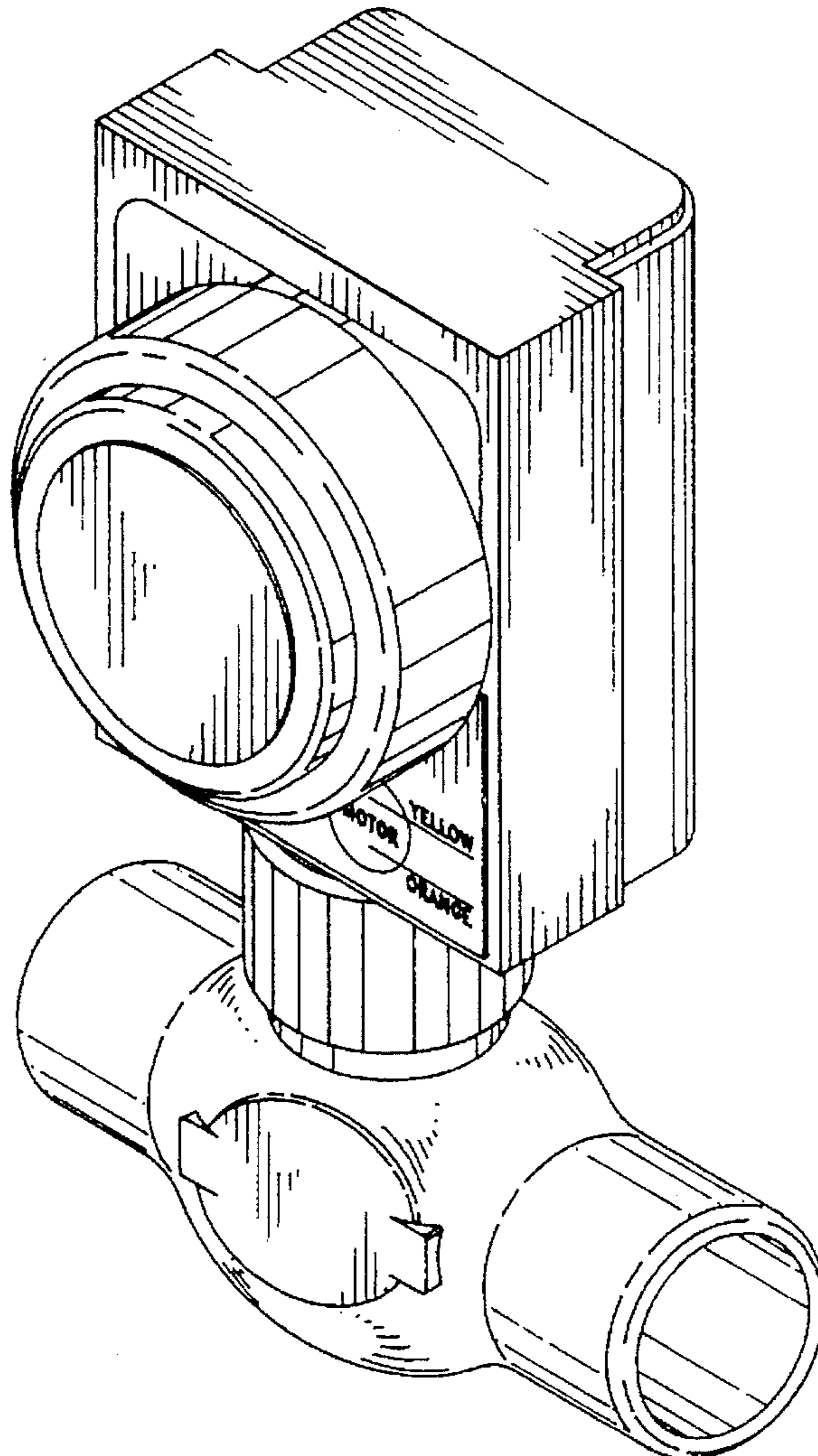


FIG. 1

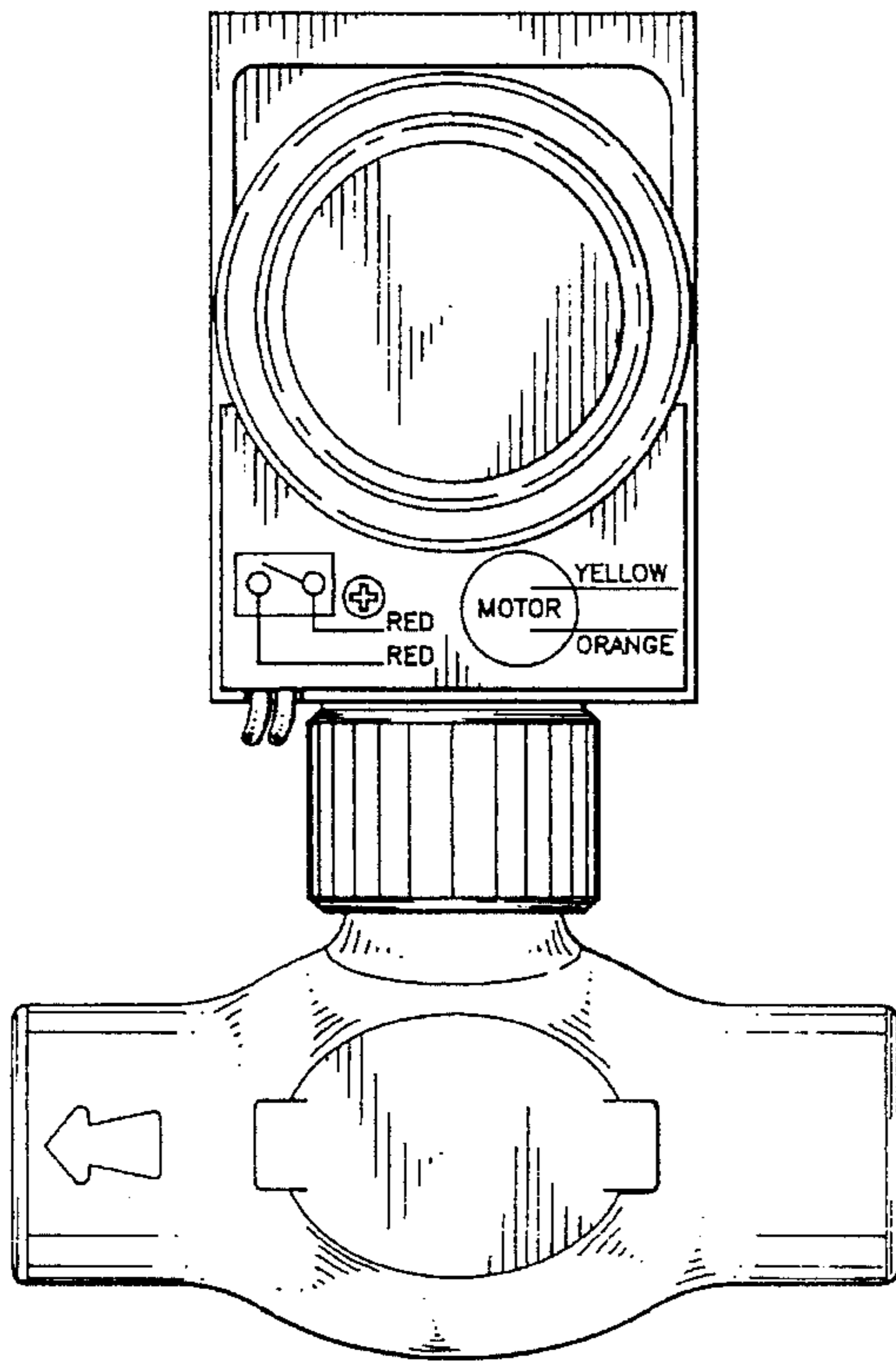
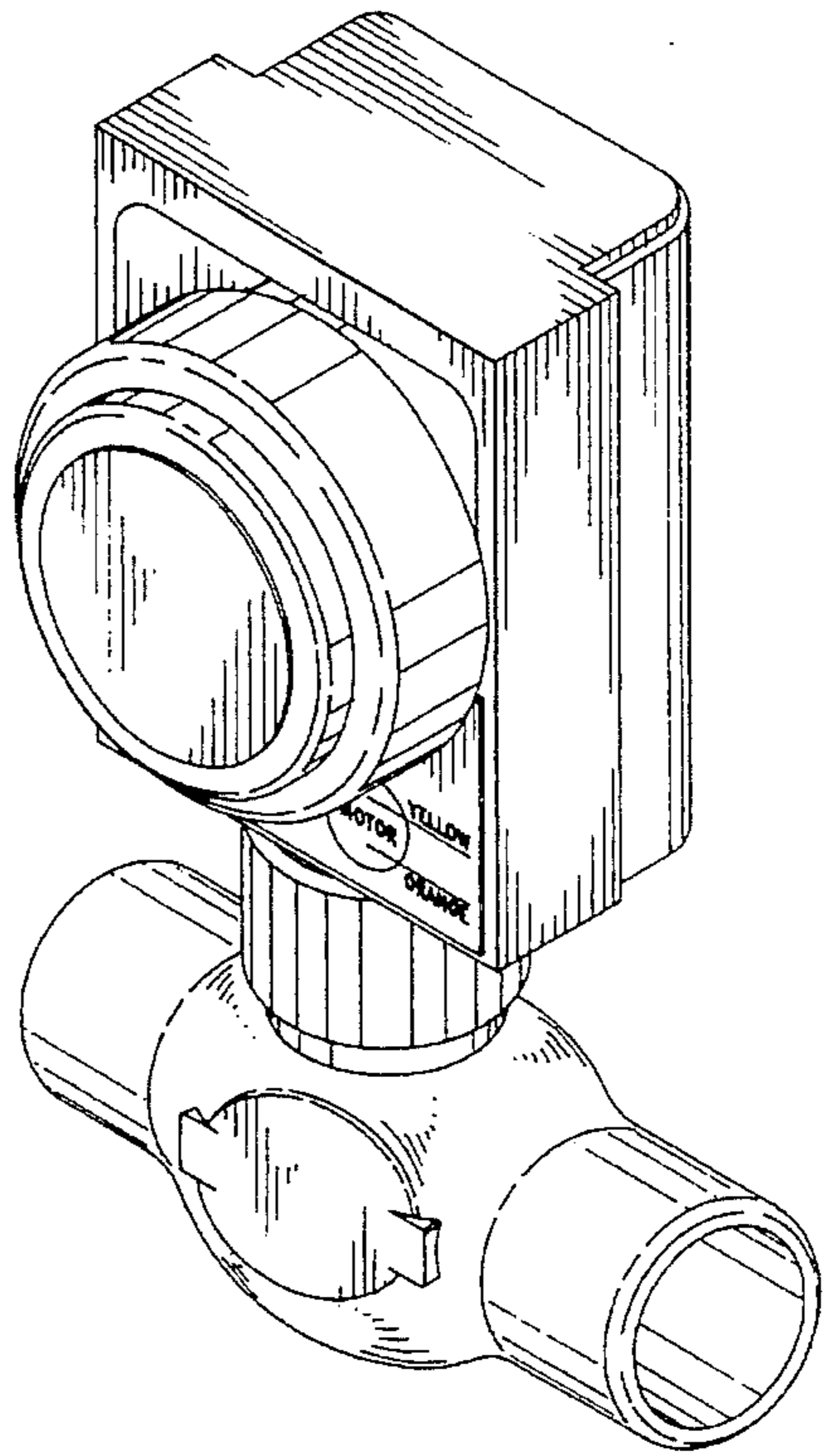


FIG. 2

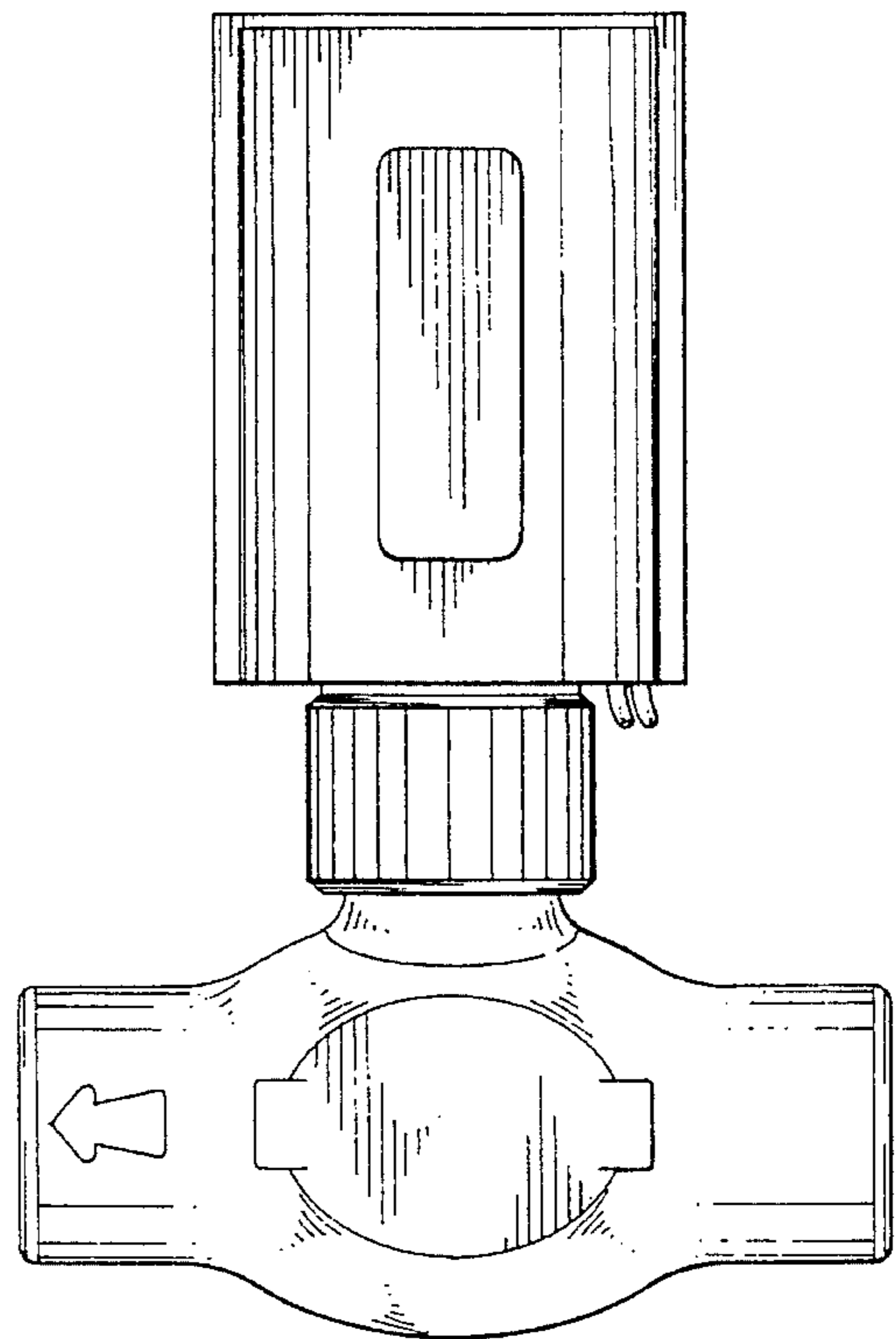


FIG. 3

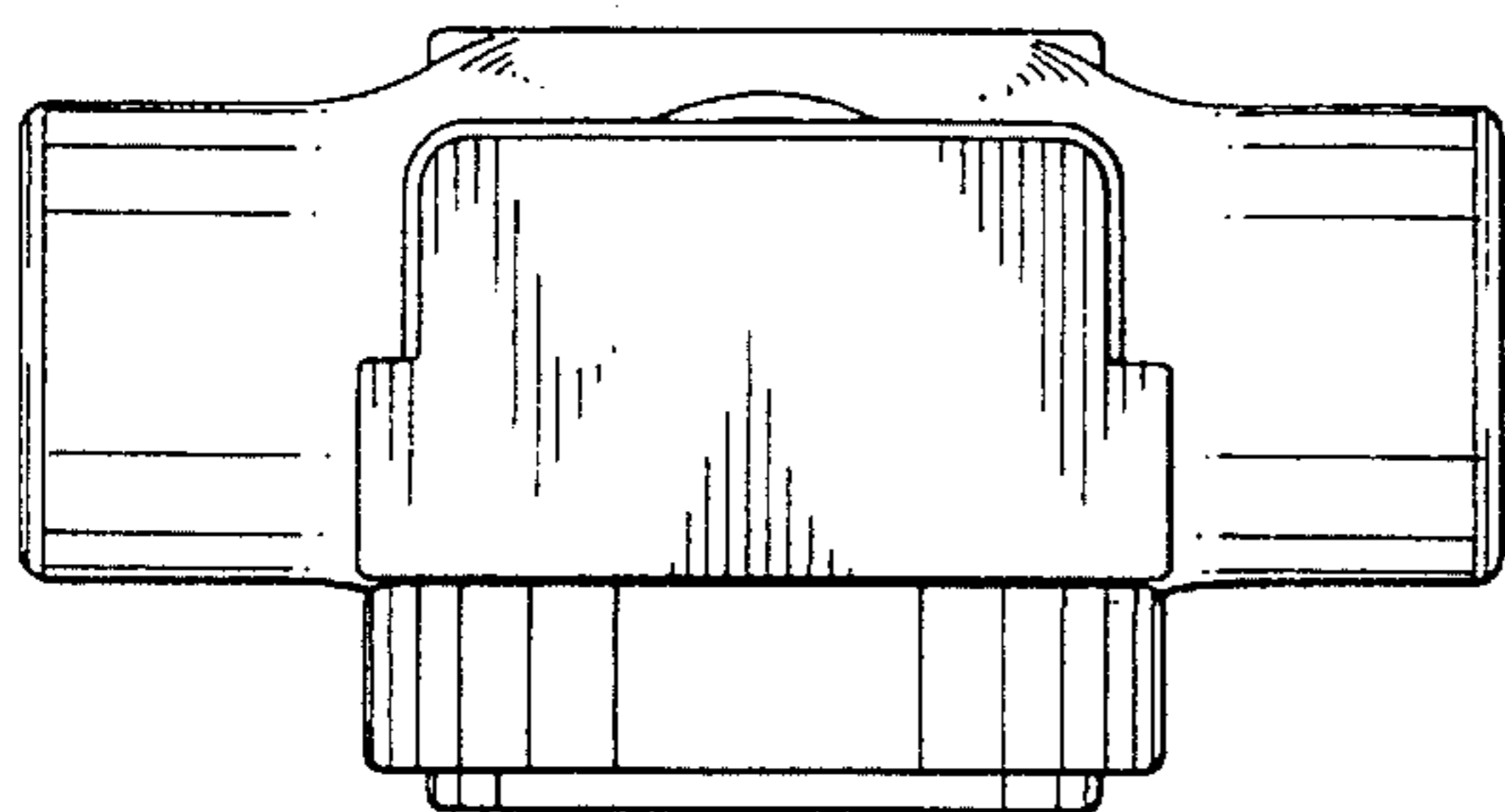


FIG. 4

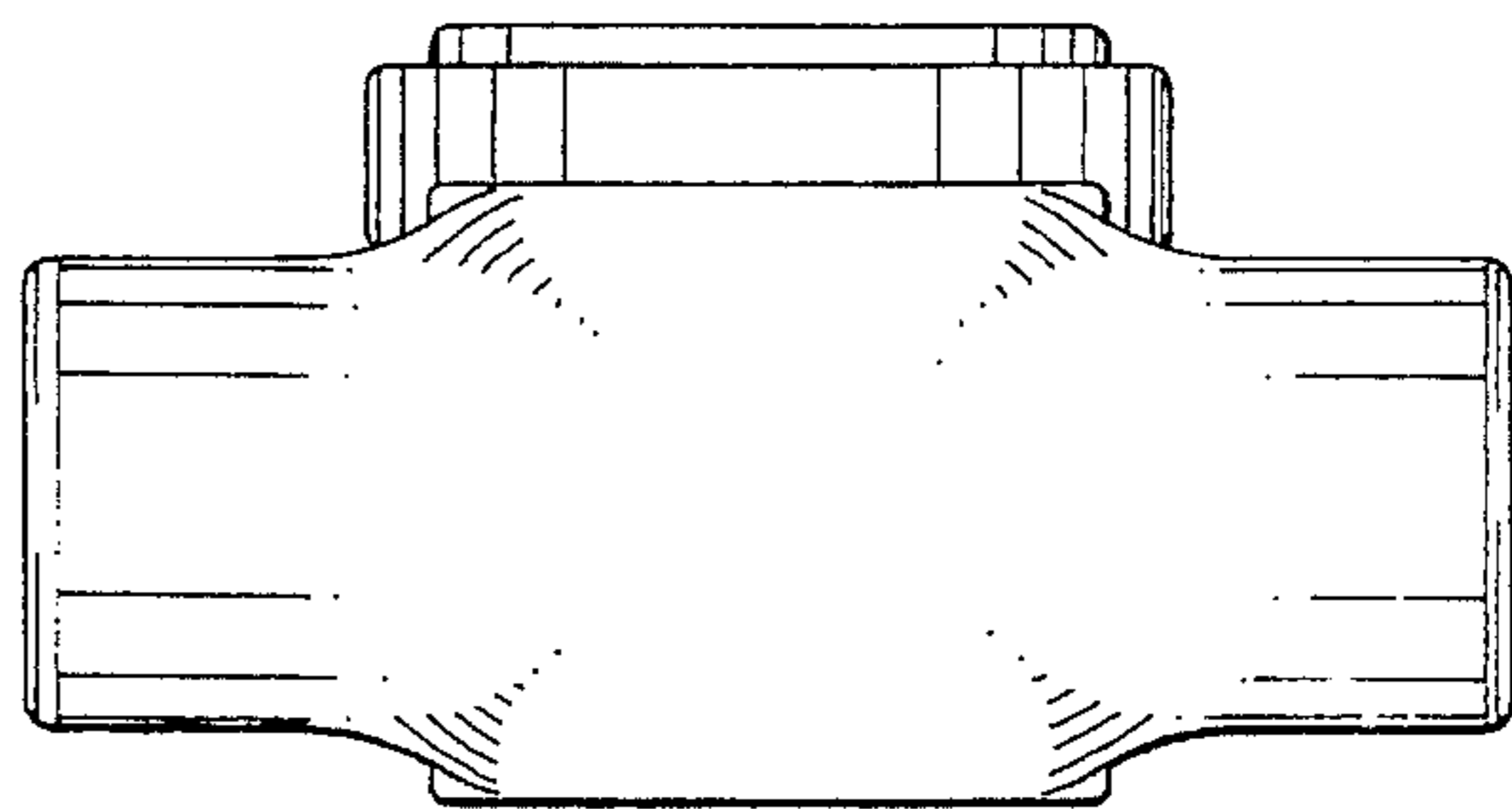


FIG. 5

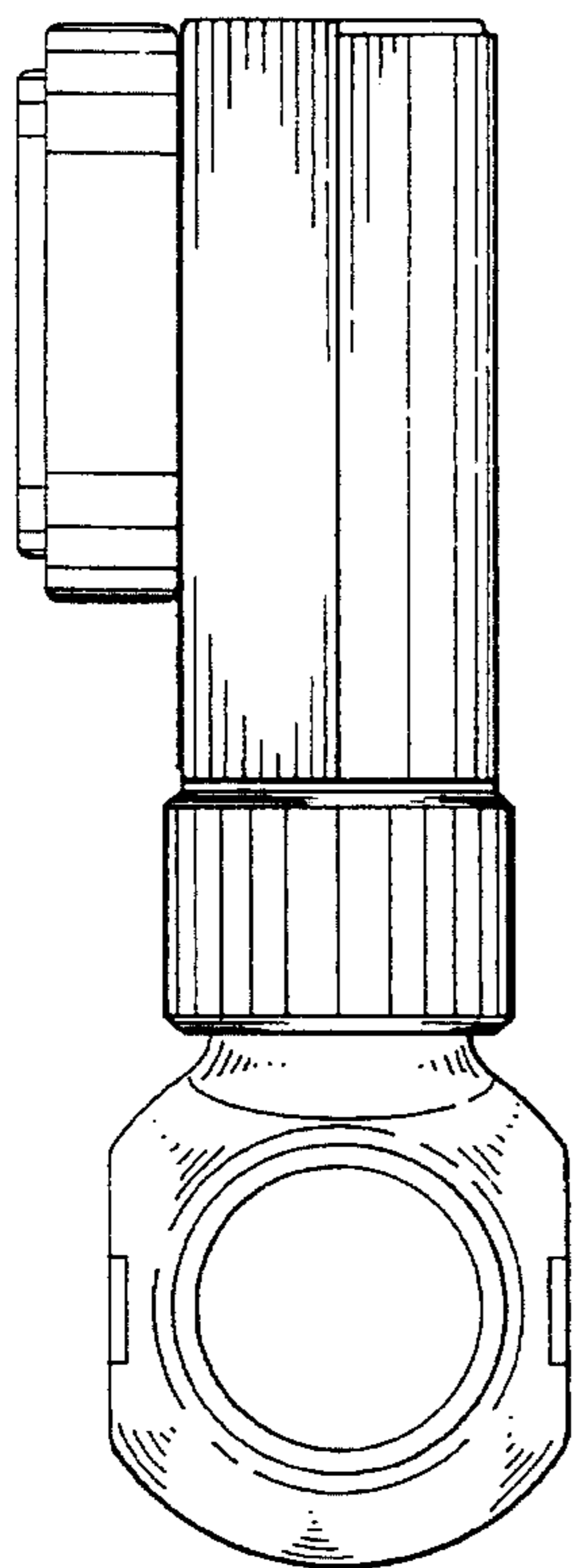


FIG. 6

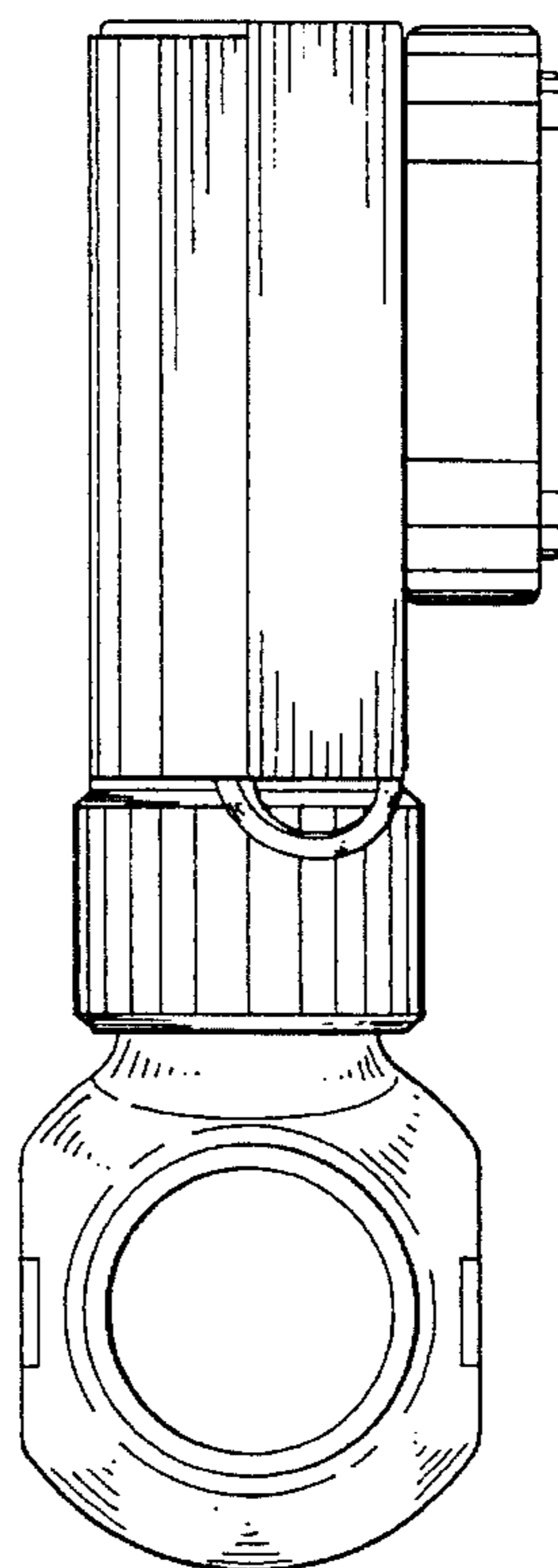


FIG. 7