



US00D369649S

**United States Patent** [19]  
**Brown**

[11] **Patent Number: Des. 369,649**

[45] **Date of Patent: \*\*May 7, 1996**

[54] **ADJUSTABLE SPRINKLER STAND**

4,824,020 4/1989 Harward .  
4,884,749 12/1989 Ruprechter .

[76] Inventor: **Chester L. Brown**, 508 E. Dayton Ave., Dayton, Wash. 99328

*Primary Examiner*—Holly H. Baynham

[\*\*] Term: **14 Years**

[57] **CLAIM**

[21] Appl. No.: **34,676**

The ornamental design for the adjustable sprinkler stand, as shown and described.

[22] Filed: **Feb. 9, 1995**

**DESCRIPTION**

[52] **U.S. Cl.** ..... **D23/227; D8/1**

[58] **Field of Search** ..... D8/1, 355, 349, D8/400; 248/140, 148, 149, 49, 174, 81, 85; 239/280.5; D3/200; D23/227

FIG. 1 is a front elevational view of the adjustable sprinkler stand showing my new design;

FIG. 2 is a rear elevational view thereof;

FIG. 3 is a left side elevational view thereof, the broken line showing of the sprinkler and water spray for illustrative purposes only and forming no part of the claimed design;

FIG. 4 is a right side elevational view thereof;

FIG. 5 is a top plan view thereof;

FIG. 6 is a bottom plan view thereof; and,

FIG. 7 is a perspective view thereof in position of use, the broken line showing of the sprinkler and water spray for illustrative purposes only and forming no part of the claimed design.

[56] **References Cited**

**U.S. PATENT DOCUMENTS**

D. 310,477	9/1990	Fleecs .	
561,986	6/1896	Gall .....	248/85
929,392	7/1909	Cole .....	248/81
2,440,745	5/1948	Hauck .....	248/81
2,442,904	6/1948	Reeh .....	248/81
3,207,317	9/1965	Moore et al. ....	211/13
3,542,294	11/1970	Tucker .	
3,912,171	10/1975	Johnson .	

**1 Claim, 4 Drawing Sheets**

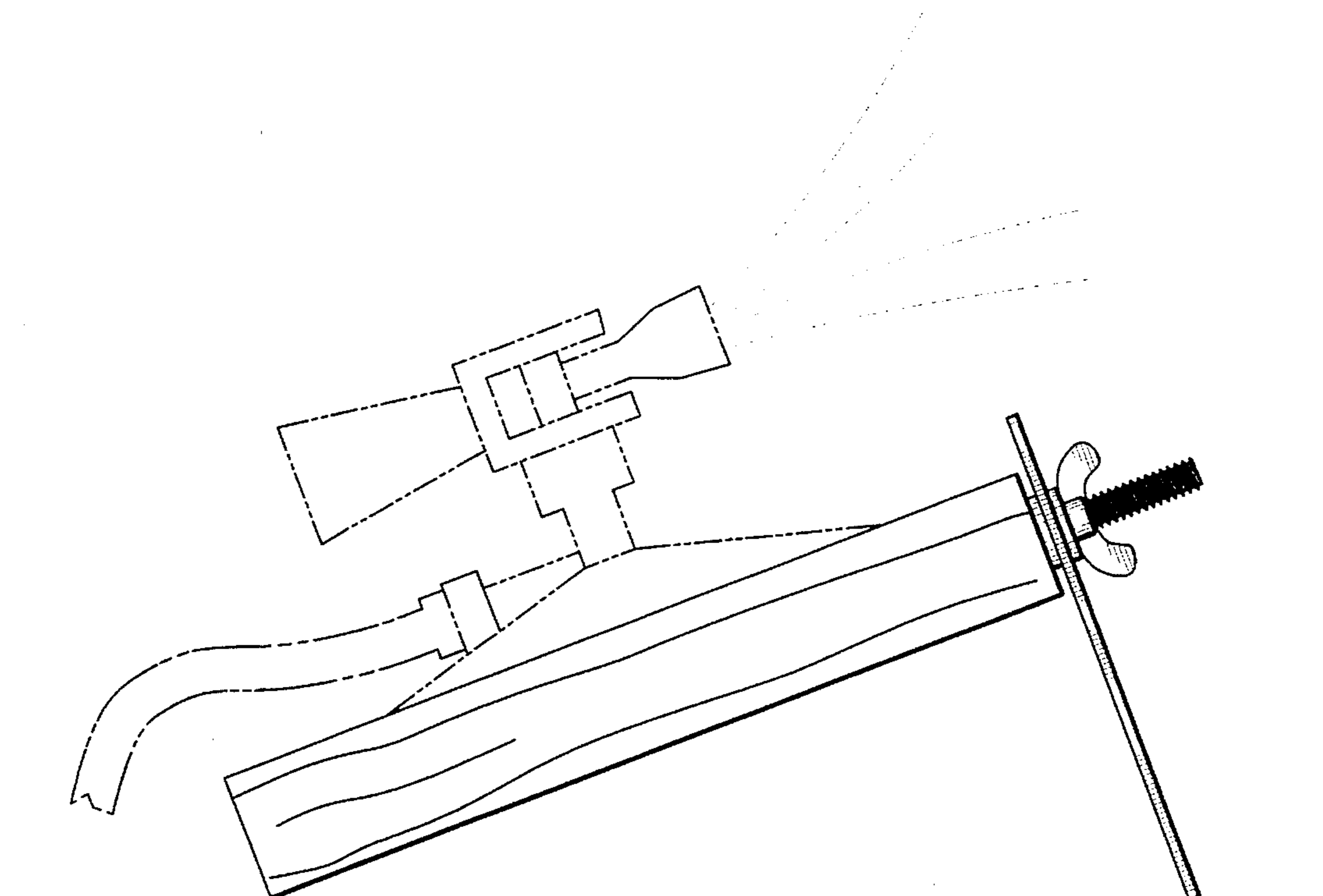


FIG. 1

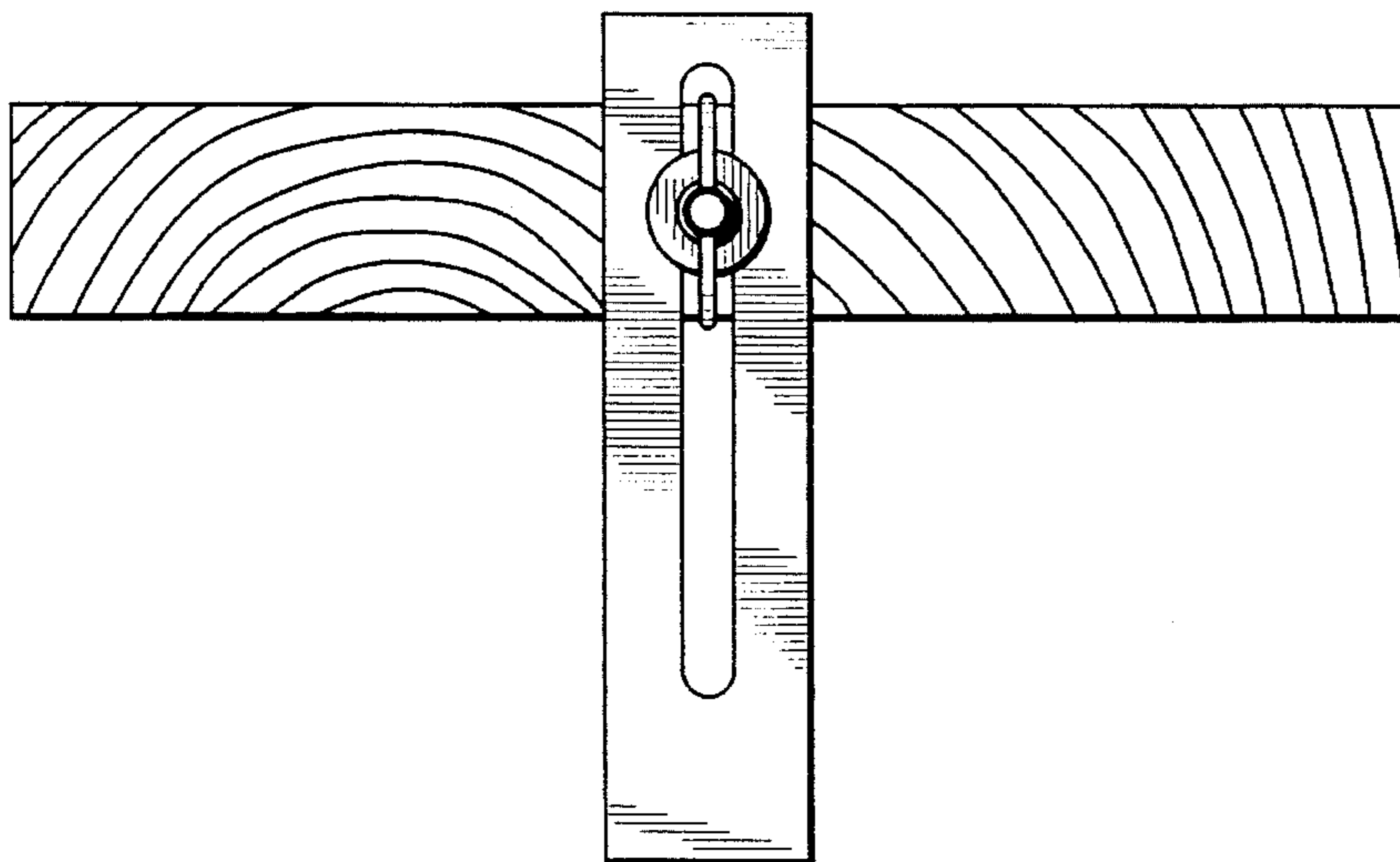


FIG. 2

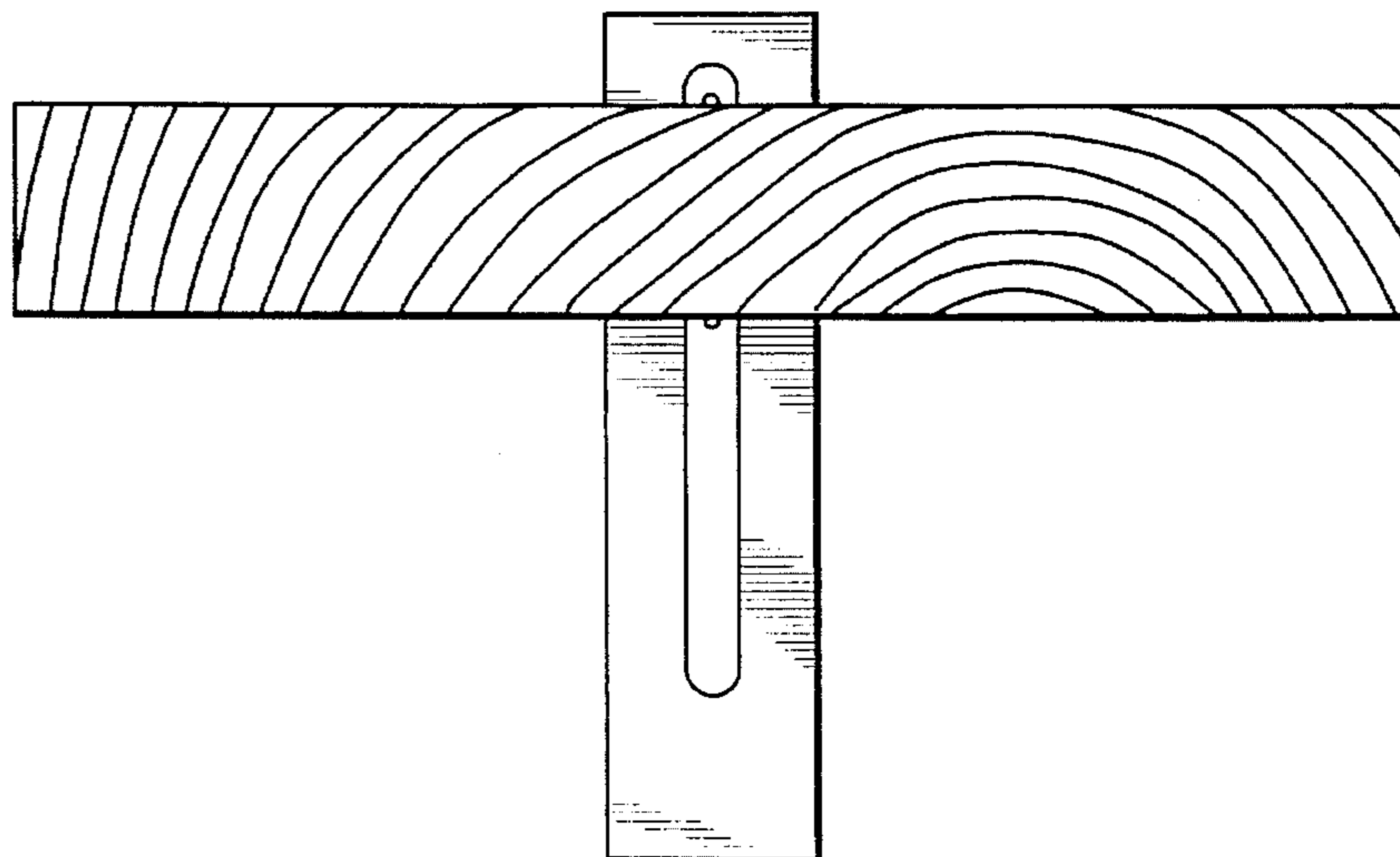


FIG. 3

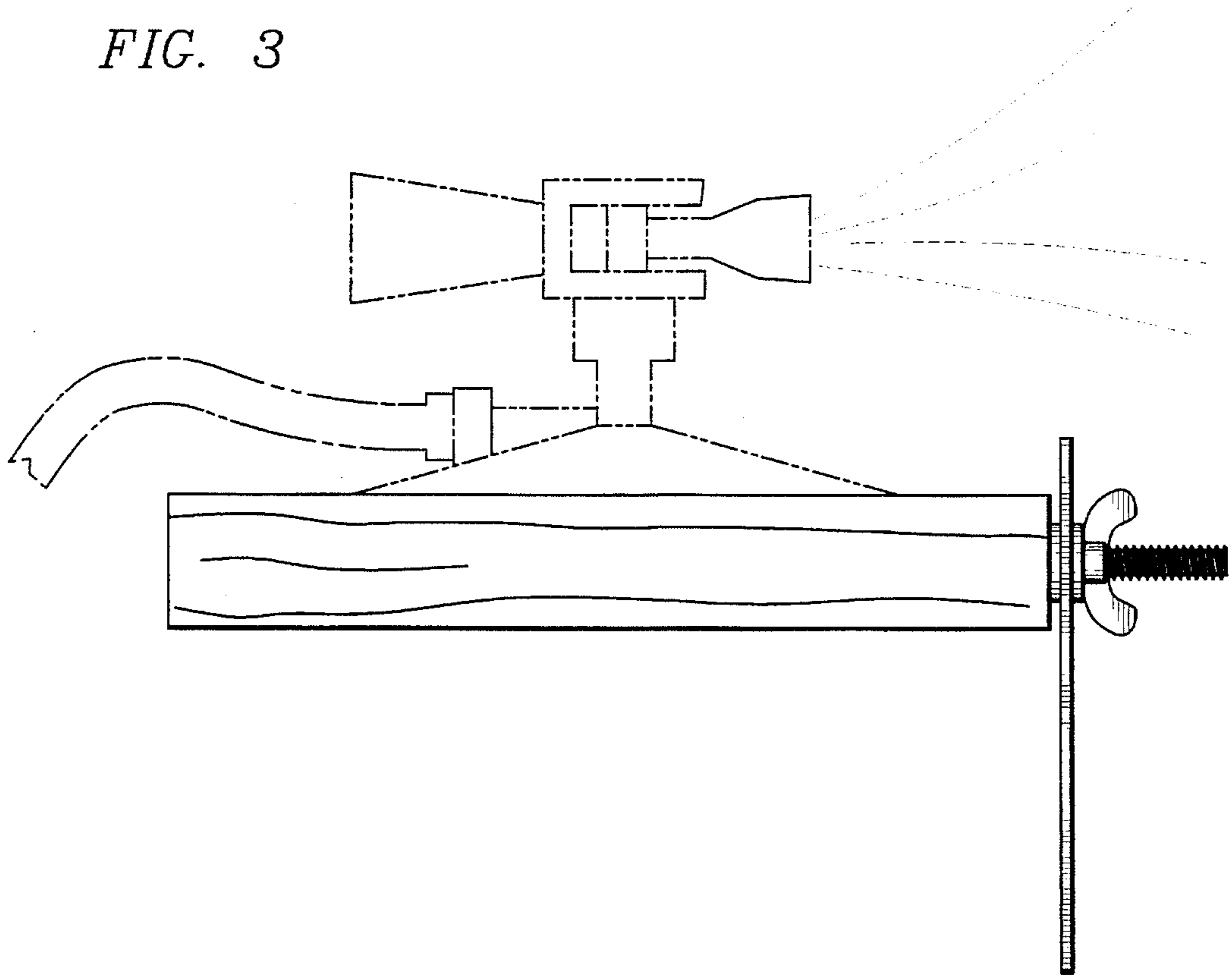


FIG. 4

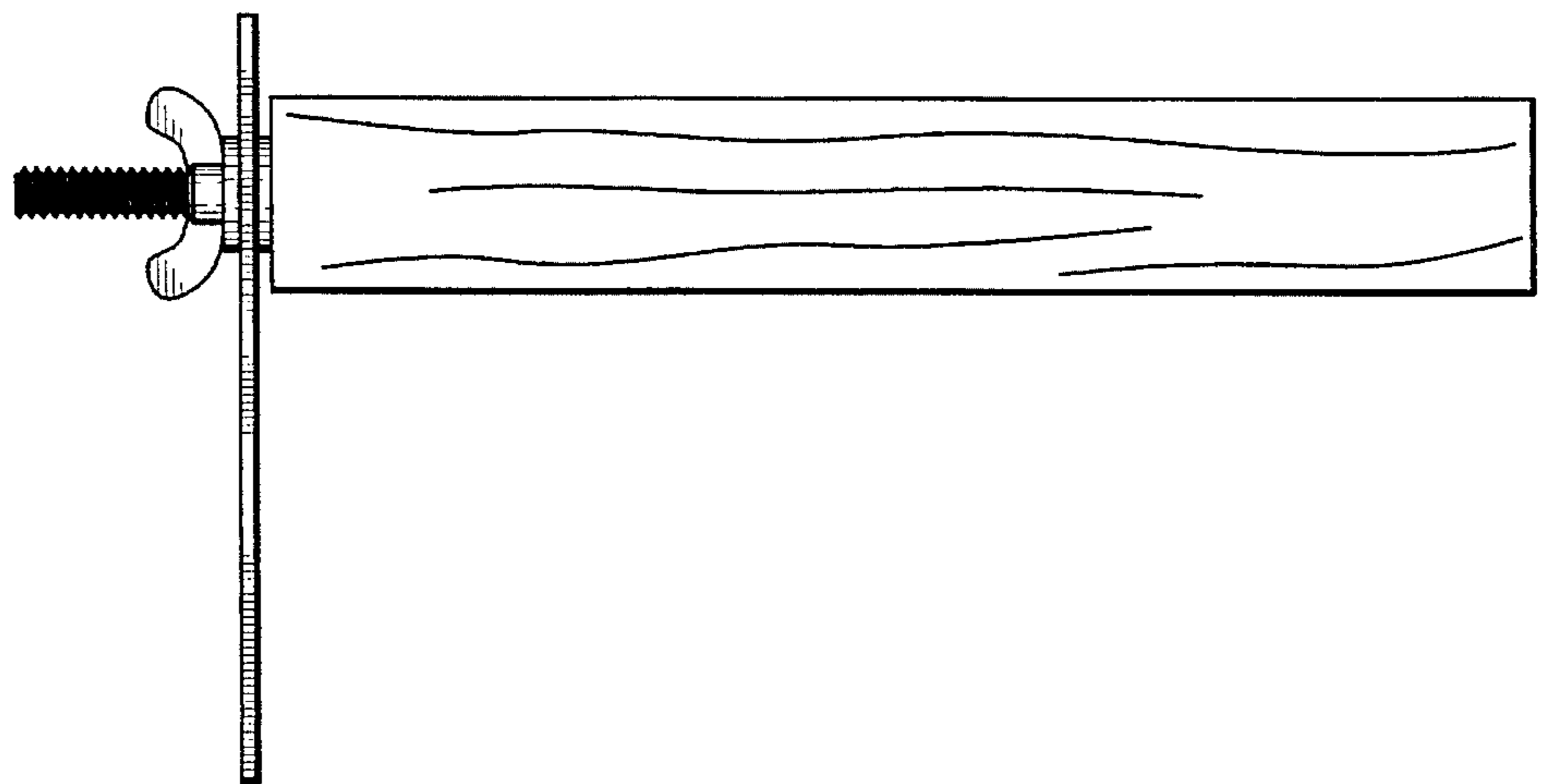


FIG. 5

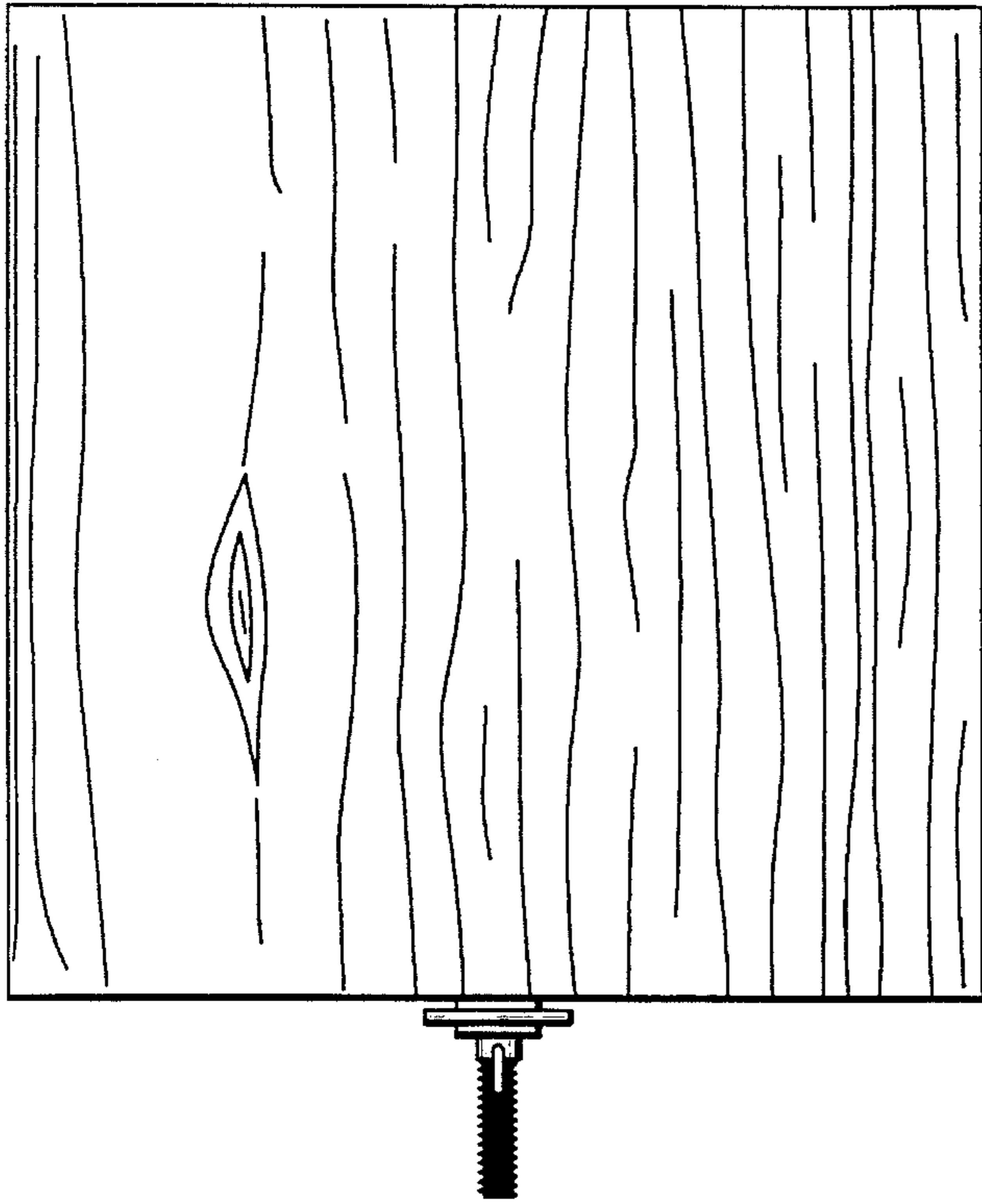


FIG. 6

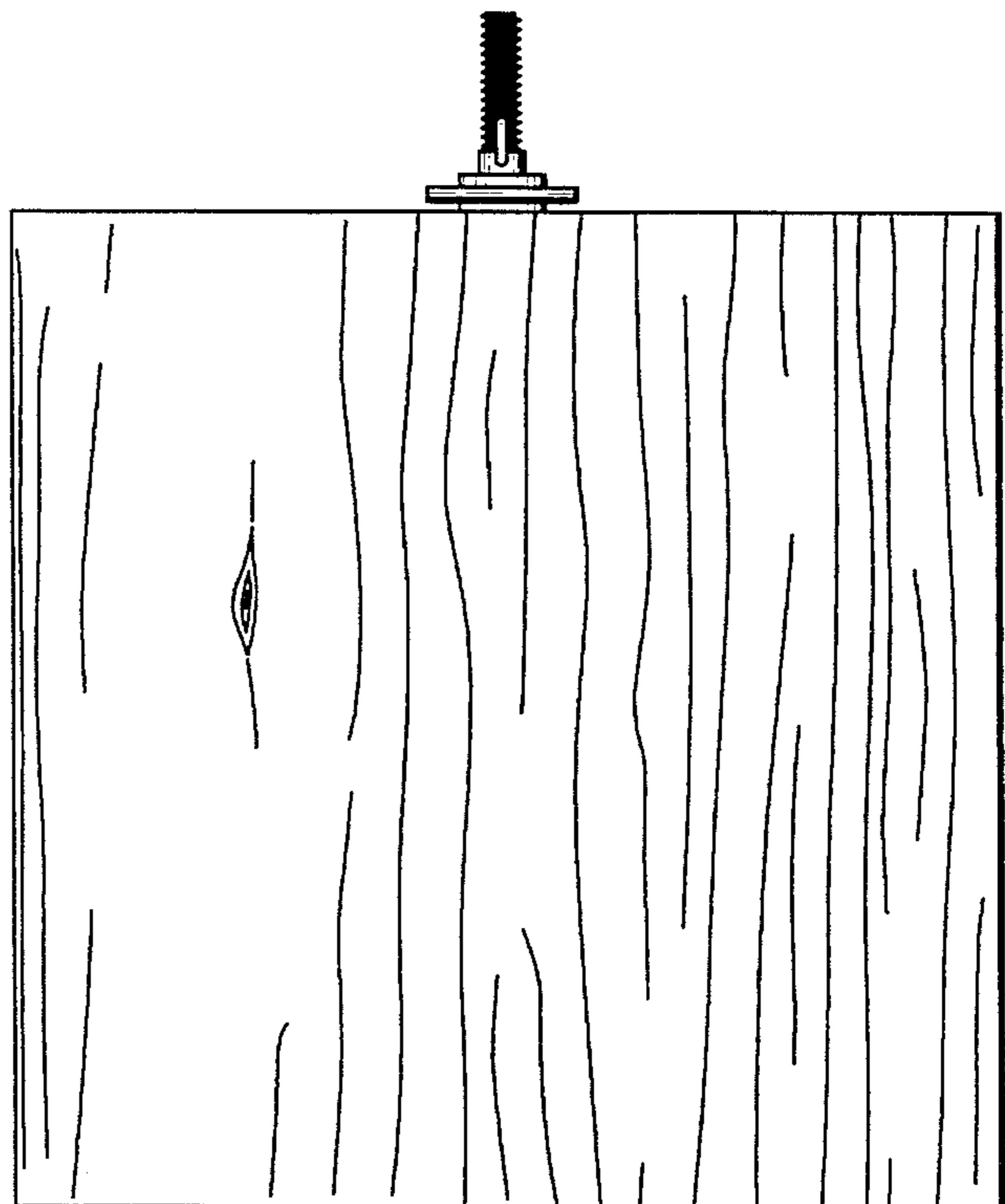


FIG. 7

