



US00D369643S

United States Patent [19]

Moriya et al.

[11] Patent Number: **Des. 369,643**

[45] Date of Patent: ****May 7, 1996**

[54] **FISHING REEL**

[75] Inventors: **Katsuhiro Moriya; Teruhisa Numata,**
both of Chiyoda, Japan

[73] Assignee: **Ryobi Limited,** Hiroshima, Japan

[**] Term: **14 Years**

[21] Appl. No.: **23,957**

[22] Filed: **Jun. 3, 1994**

[30] **Foreign Application Priority Data**

Dec. 6, 1993 [JP] Japan 5-37061

[52] **U.S. Cl.** **D22/141**

[58] **Field of Search** D22/141; 242/224,
242/230-233, 245, 246, 248, 247

[56] **References Cited**

U.S. PATENT DOCUMENTS

D. 308,717 6/1990 Hiraishi D22/141

D. 314,808 2/1991 Yoshikawa D22/141
D. 326,499 5/1992 Nouma D22/141
D. 327,312 6/1992 Myojo D22/141

Primary Examiner—Doris V. Coles
Attorney, Agent, or Firm—Nixon & Vanderhye

[57] **CLAIM**

The ornamental design for a fishing reel, as shown.

DESCRIPTION

FIG. 1 is a perspective view taken from the top, front and right side of a fishing reel showing our new design; FIG. 2 is a left side elevational view thereof; FIG. 3 is a right side elevational view thereof; FIG. 4 is a top plan view thereof; FIG. 5 is a bottom plan view thereof; FIG. 6 is a front elevational view thereof; and, FIG. 7 is a rear elevational view thereof.

1 Claim, 7 Drawing Sheets

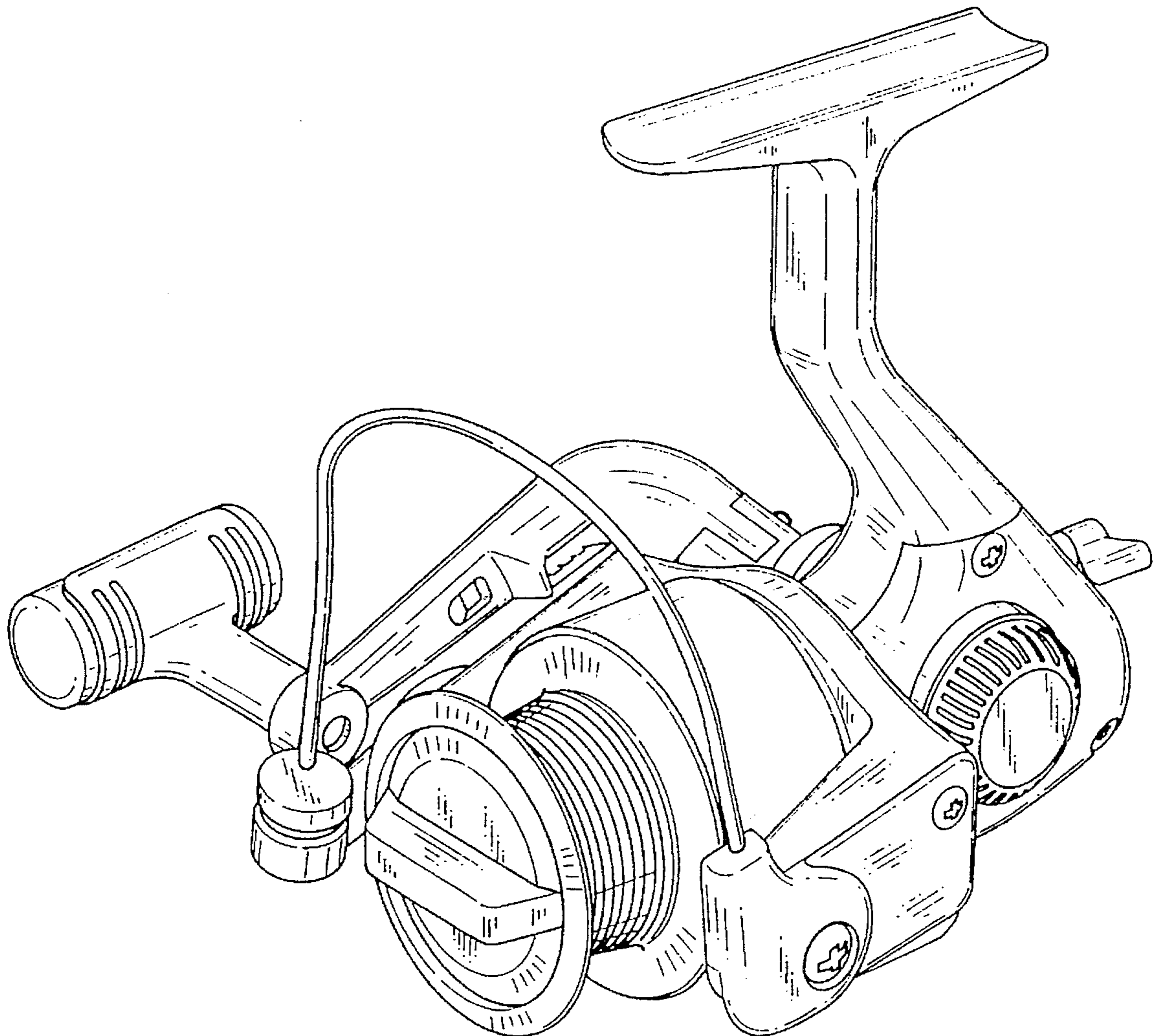


Fig. 1

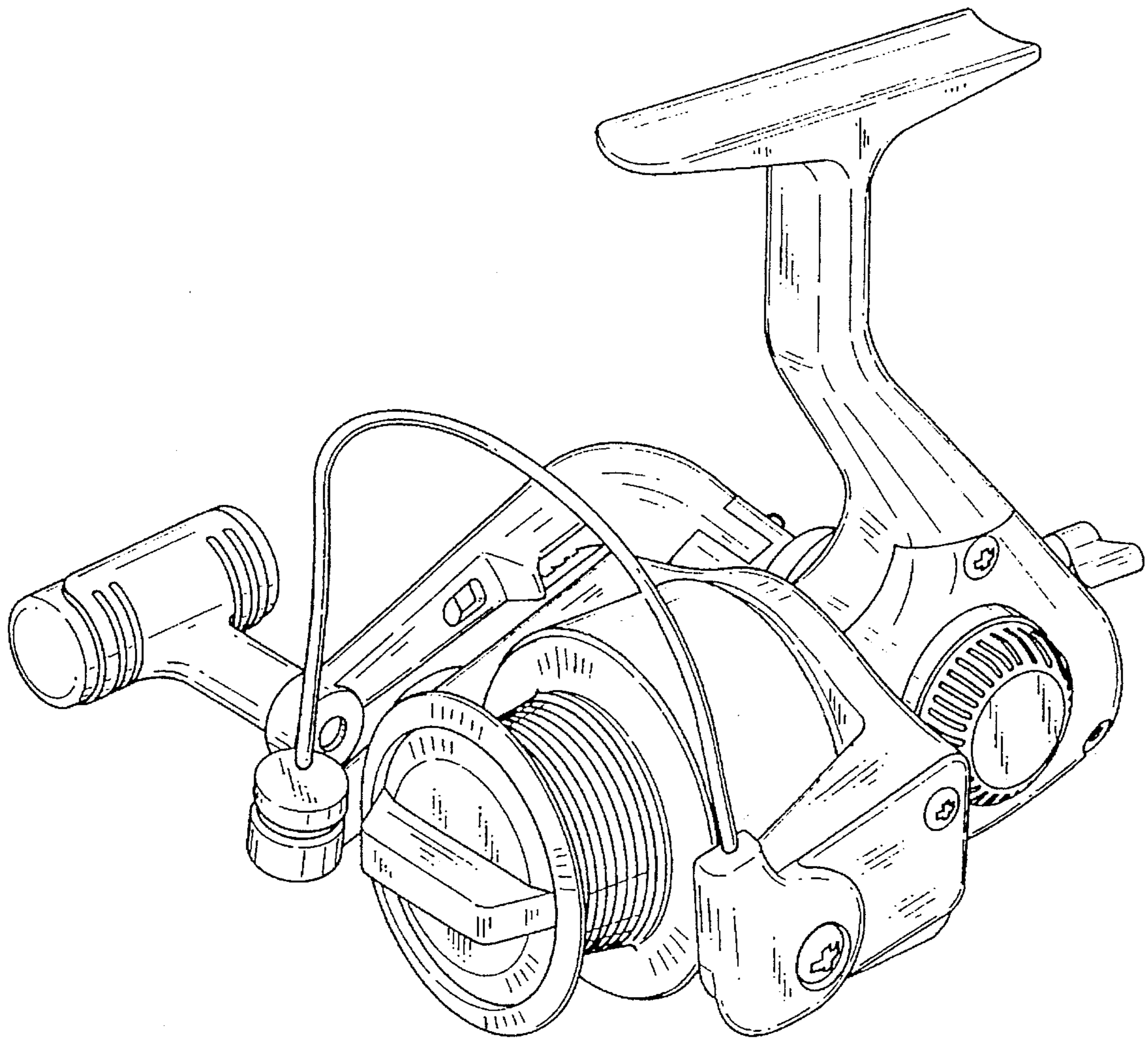


Fig. 2

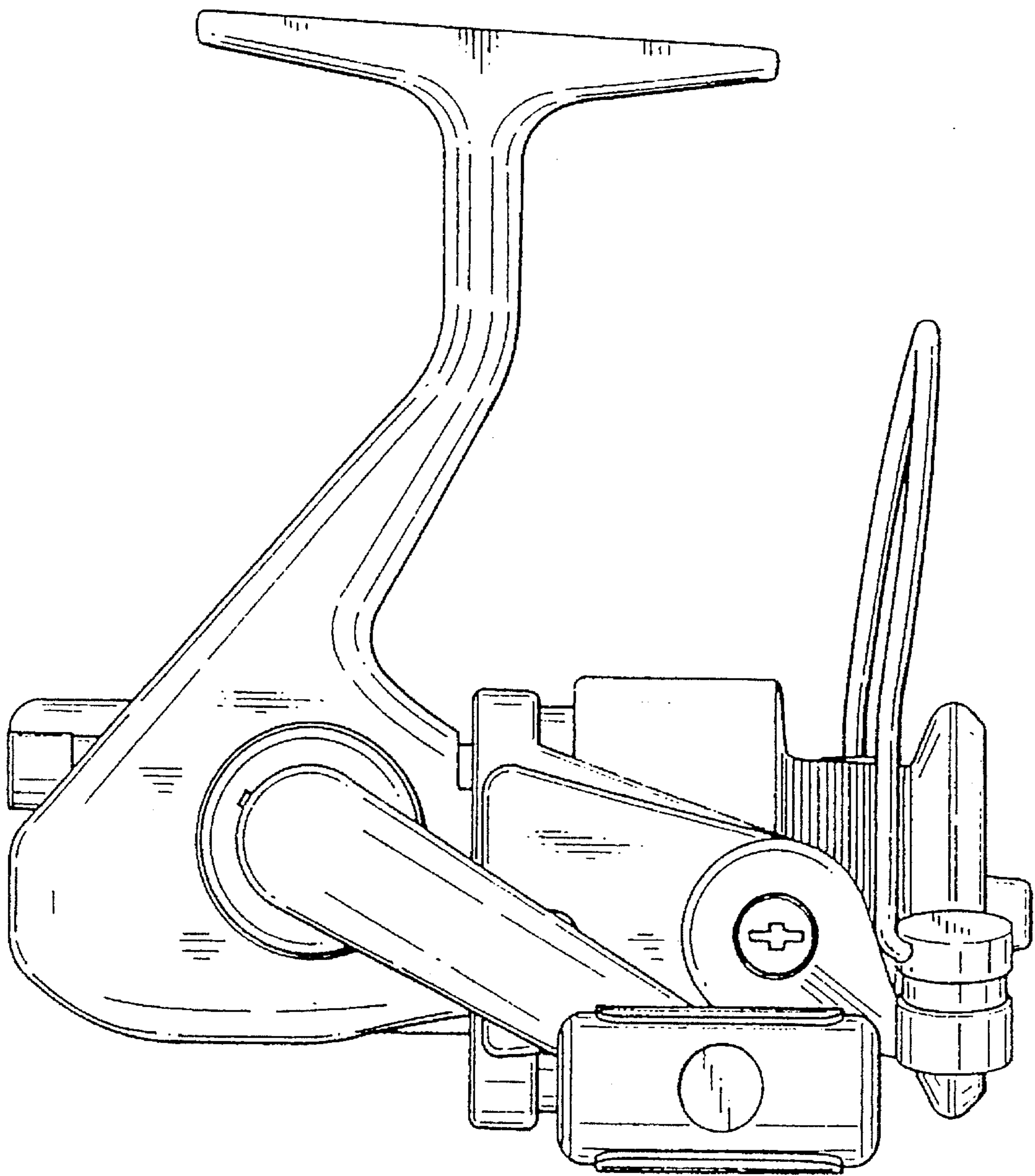


Fig. 3

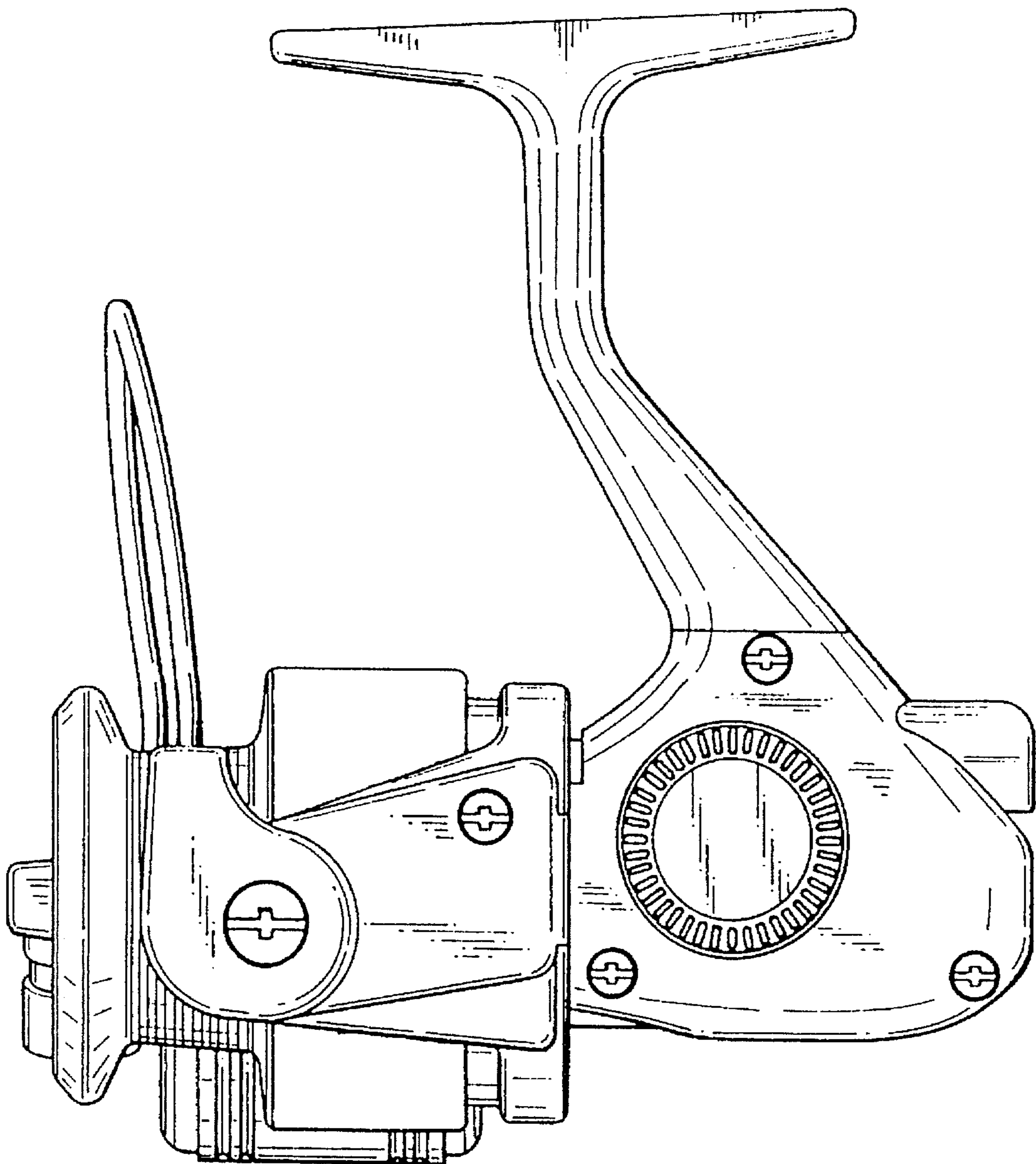


Fig. 4

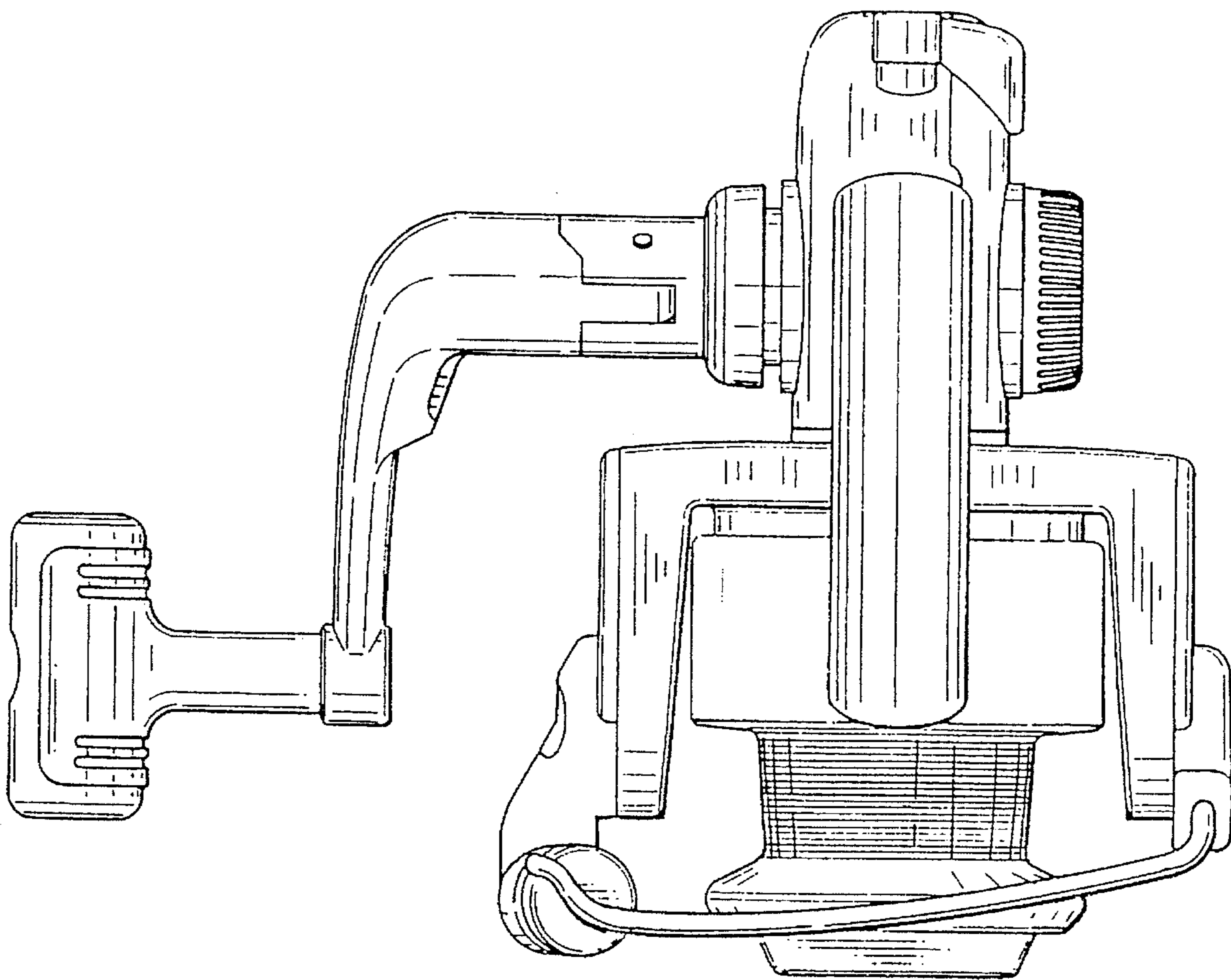


Fig. 5

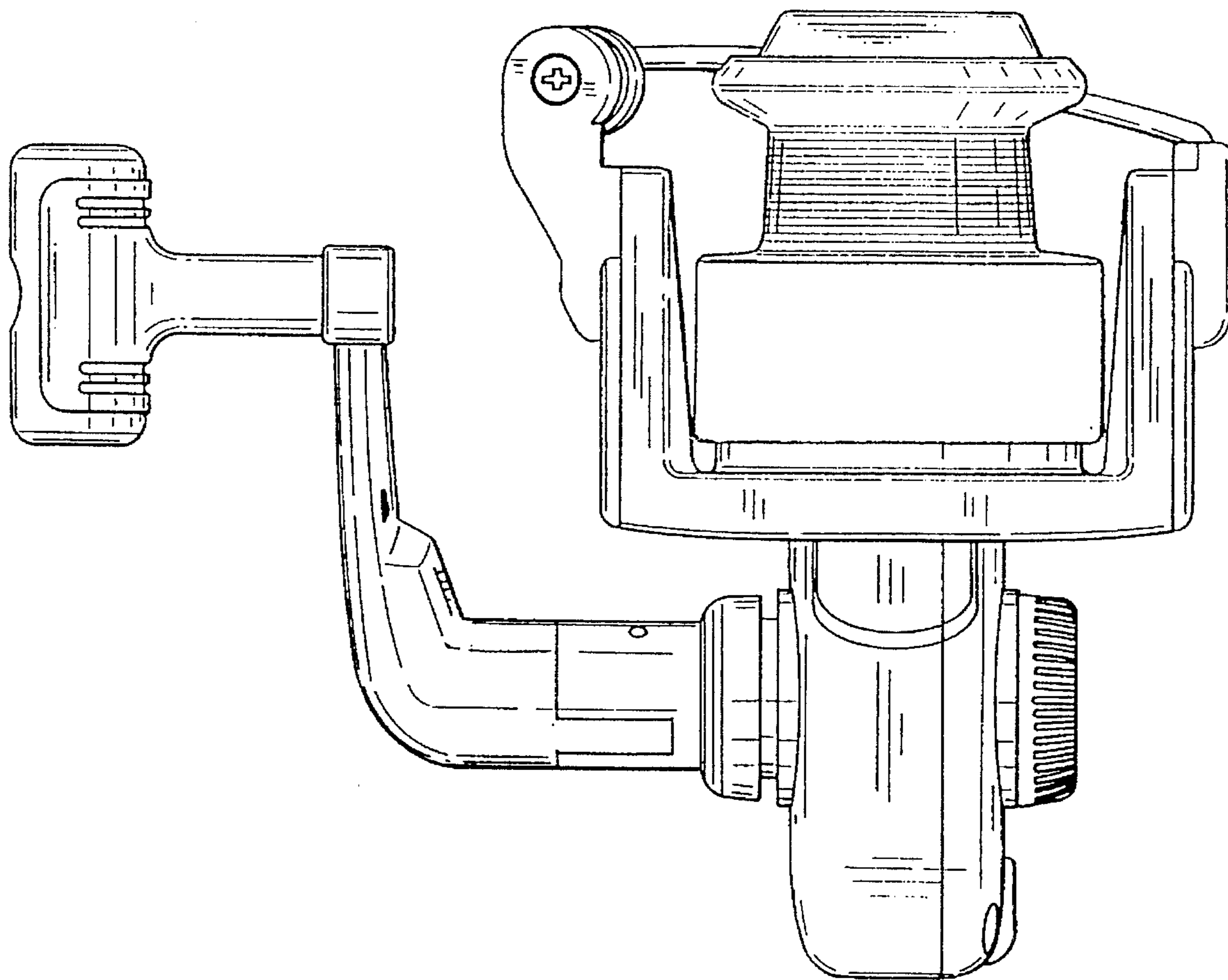


Fig. 6

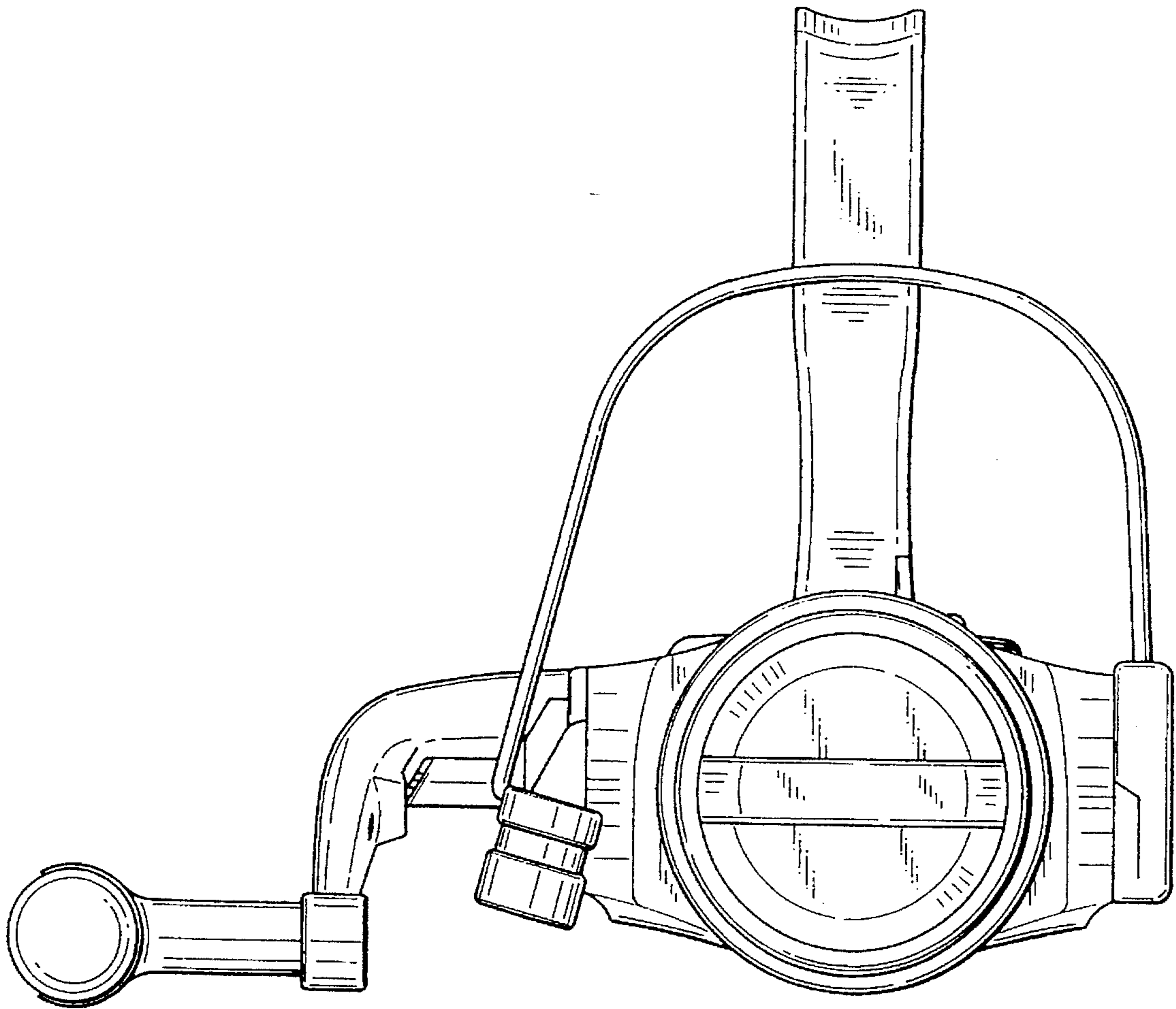


Fig. 7

