



US00D369642S

United States Patent [19]
Iwabuchi

[11] **Patent Number:** **Des. 369,642**
[45] **Date of Patent:** ****May 7, 1996**

[54] **FISHING REEL**
[75] Inventor: **Masakazu Iwabuchi**, Sakai, Japan
[73] Assignee: **Shimano Inc.**, Sakai, Japan
[**] Term: **14 Years**

Attorney, Agent, or Firm—Armstrong, Westerman, Hattori,
McLeland & Naughton

[57] **CLAIM**

The ornamental design for fishing reel, as shown and described.

DESCRIPTION

FIG. 1 is a right, front perspective view taken from above the front of a fishing reel showing my new ornamental design; FIG. 2 is a left, rear perspective view taken from above the rear thereof; FIG. 3 is a front view thereof; FIG. 4 is a rear view thereof; FIG. 5 is a right side view thereof; FIG. 6 is a left side view thereof; FIG. 7 is a top view thereof; and, FIG. 8 is a bottom view thereof.

[21] Appl. No.: **41,373**
[22] Filed: **Jul. 12, 1995**
[52] U.S. Cl. **D22/140**
[58] **Field of Search** D22/140, 141;
242/312, 257-262, 234-238, 279, 320

[56] **References Cited**

U.S. PATENT DOCUMENTS

D. 353,647	12/1994	Sakurai	D22/140
D. 356,138	3/1995	Onishi	D22/140
D. 356,139	3/1995	Onishi	D22/140

Primary Examiner—Doris V. Coles

1 Claim, 5 Drawing Sheets

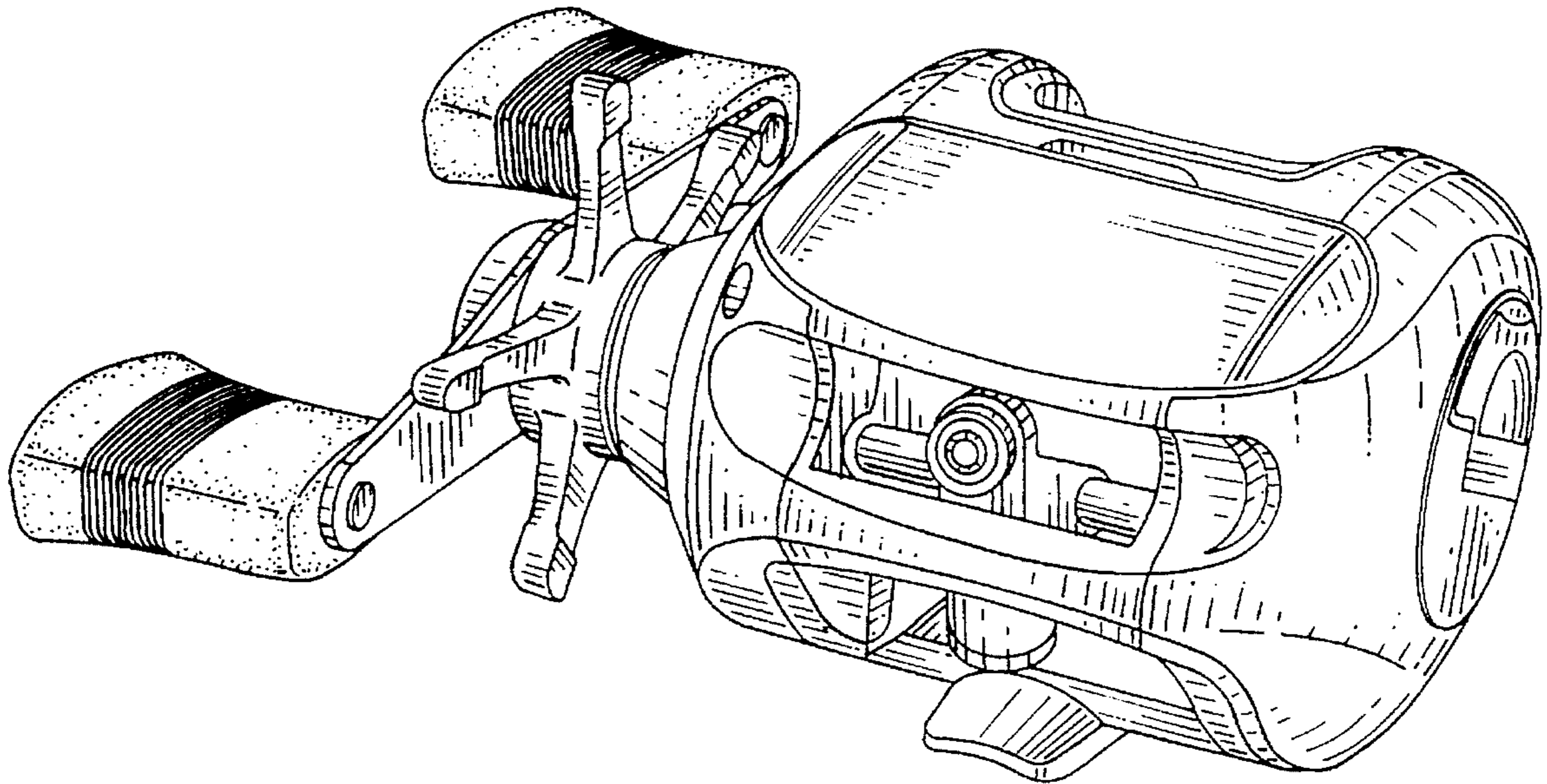


FIG. 1

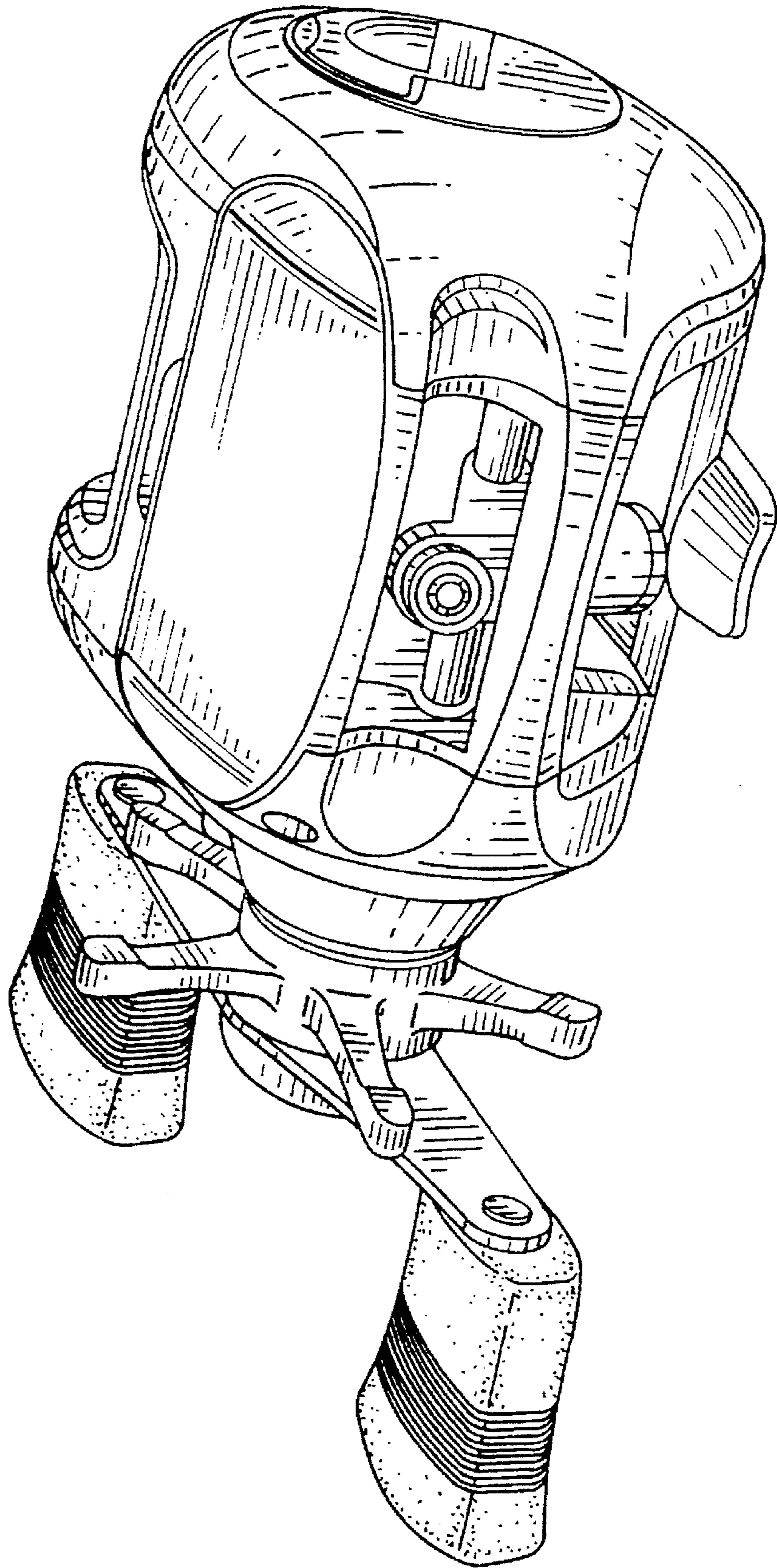


FIG. 2

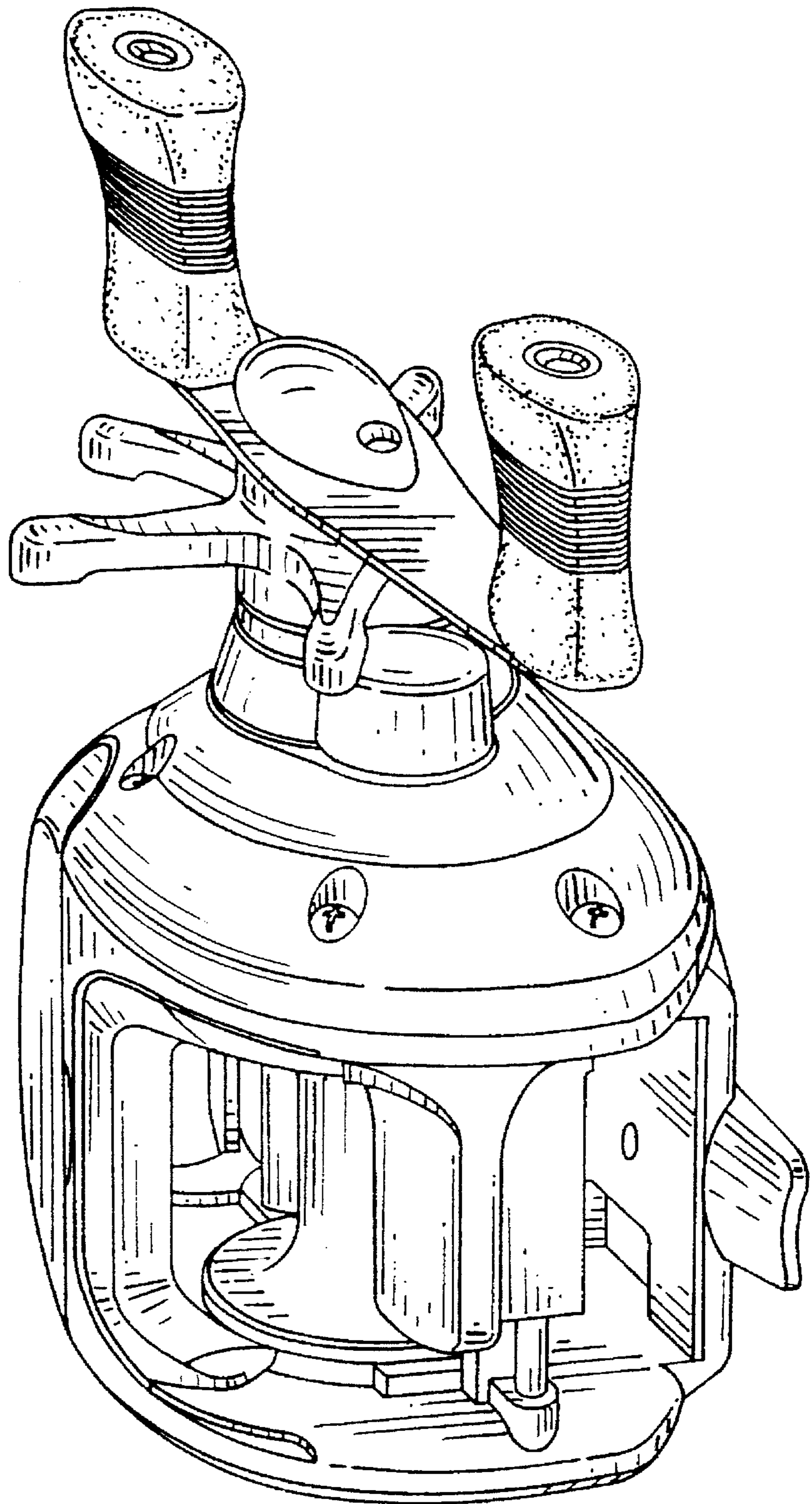


FIG. 3

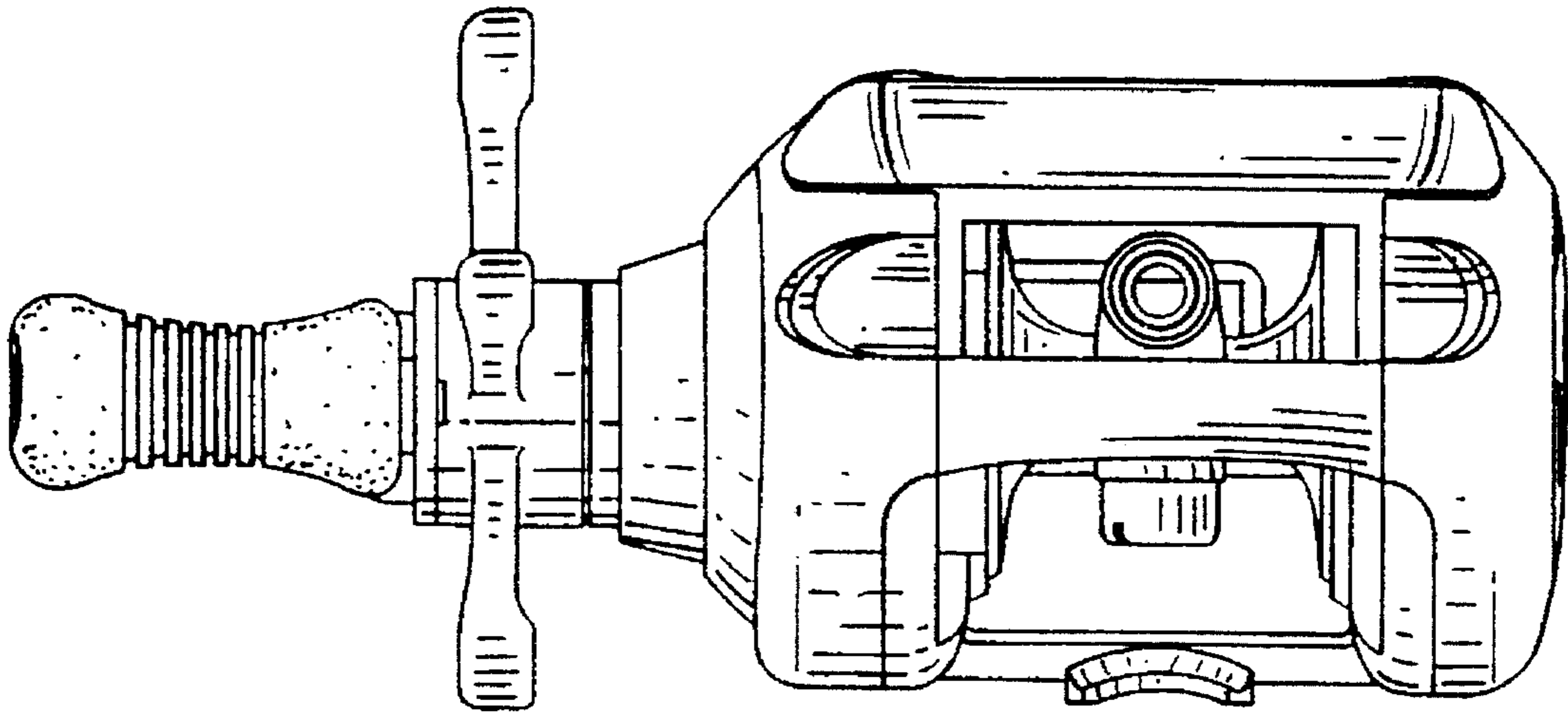


FIG. 4

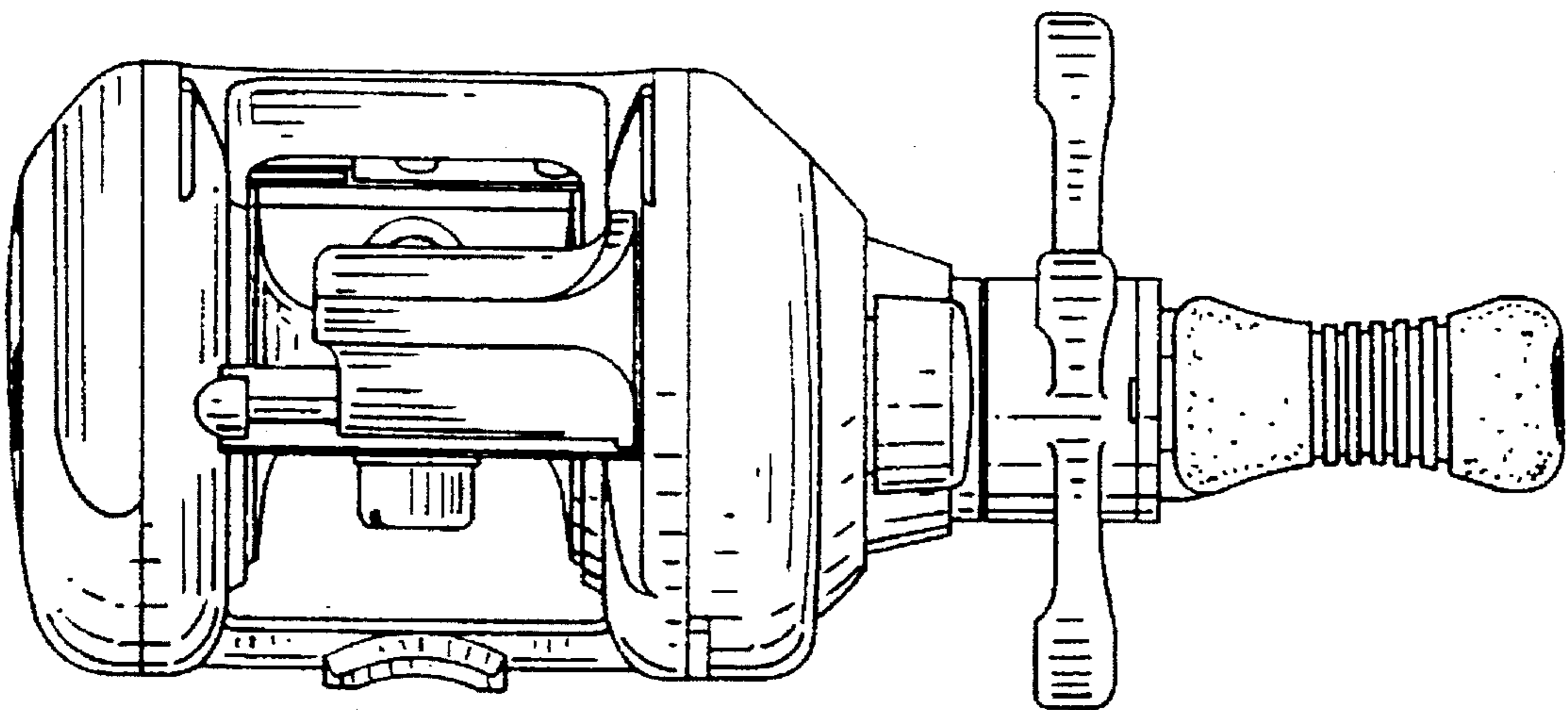


FIG. 5

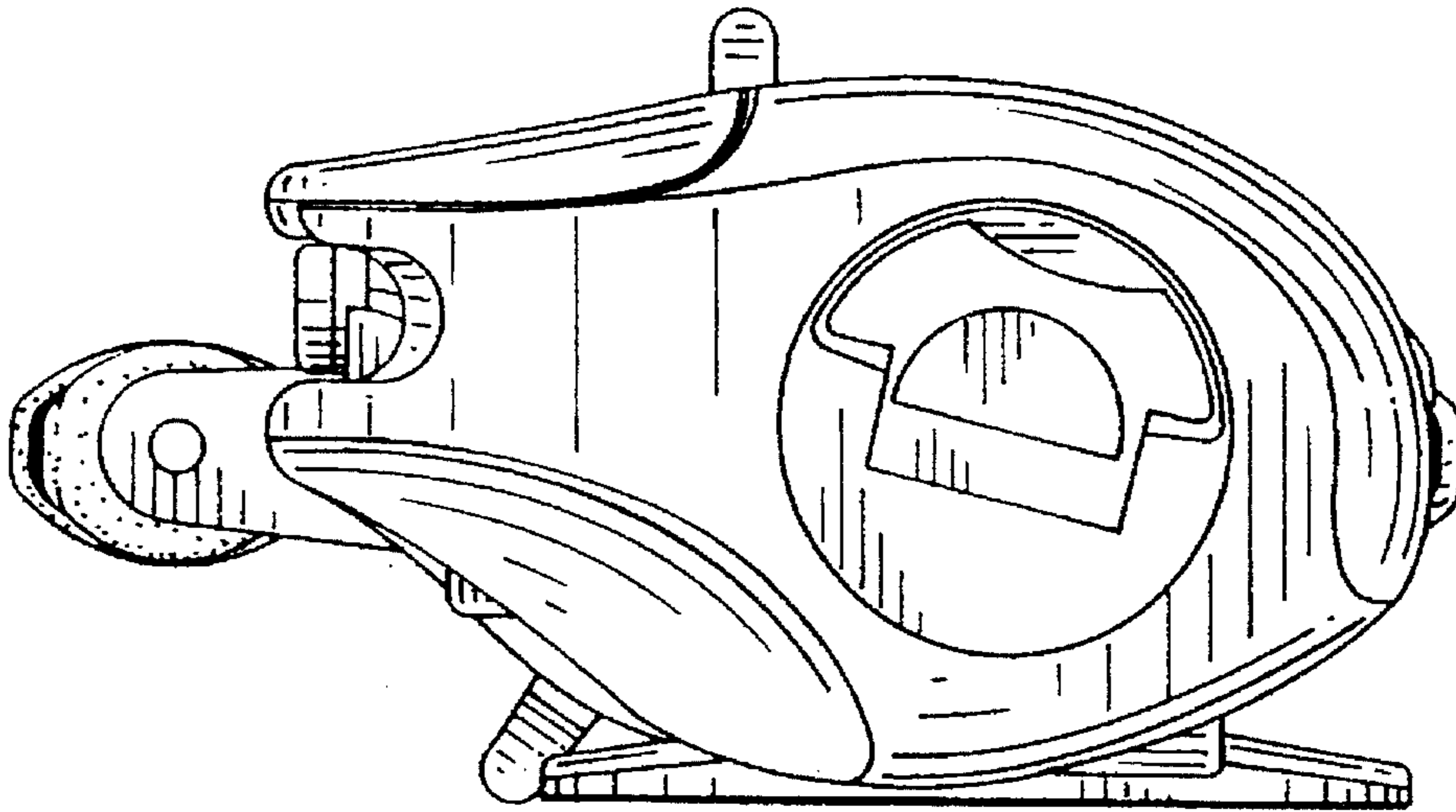


FIG. 6

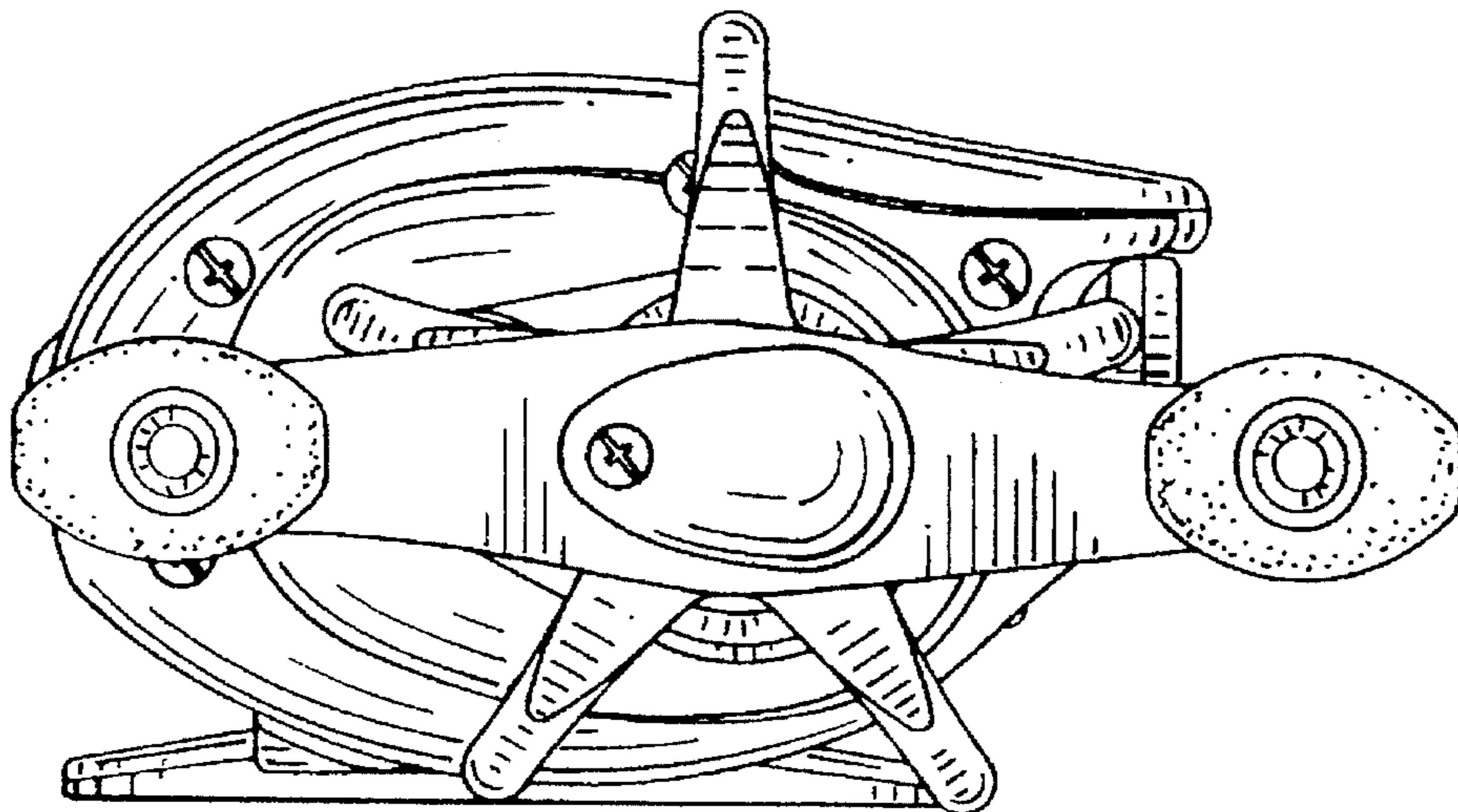


FIG. 7

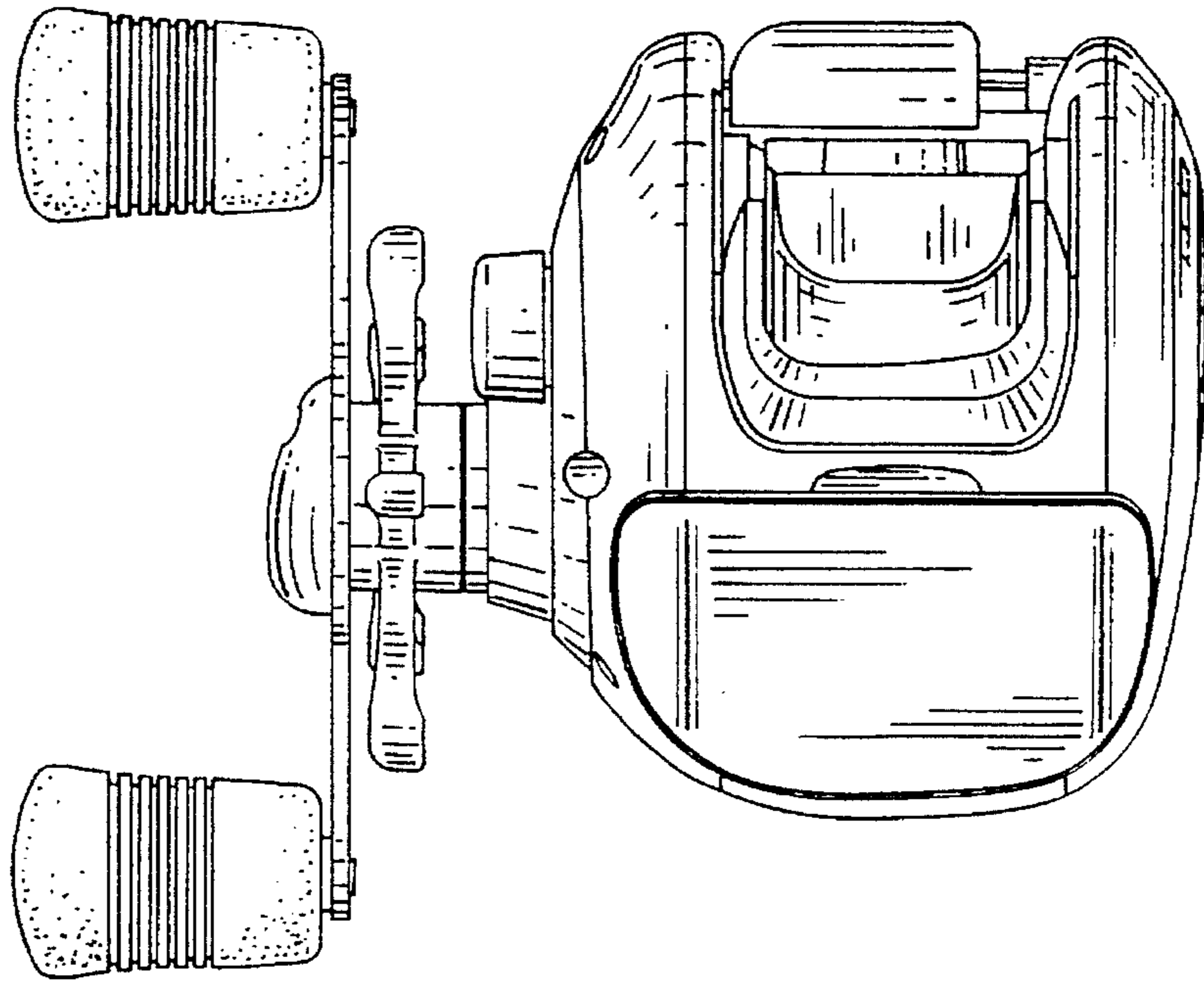


FIG. 8

