



US00D369624S

**United States Patent** [19]  
**Richardson**

[11] **Patent Number:** **Des. 369,624**

[45] **Date of Patent:** **\*\*May 7, 1996**

[54] **SIGN**

[76] **Inventor:** **William B. Richardson**, 5401  
Francisco Dr., Greensboro, N.C. 27410

[\*\*] **Term:** **14 Years**

[21] **Appl. No.:** **28,084**

[22] **Filed:** **Sep. 7, 1994**

[52] **U.S. Cl.** ..... **D20/42**

[58] **Field of Search** ..... D20/10, 18, 40,  
D20/41, 42; 40/1, 584, 606, 607, 608, 617,  
624

[56] **References Cited**

**U.S. PATENT DOCUMENTS**

D. 229,641	12/1973	Robertson	.....	D20/42
D. 270,074	8/1983	Read	.....	D20/42
D. 349,733	8/1994	Svee	.....	D20/42

*Primary Examiner*—Marcus A. Jackson  
*Attorney, Agent, or Firm*—Rhodes, Coats & Bennett

[57] **CLAIM**

The ornamental design for a sign, as shown and described.

**DESCRIPTION**

FIG. 1 is a front perspective view of the sign according to my new design illustrating the base portion with the signage plate removed;

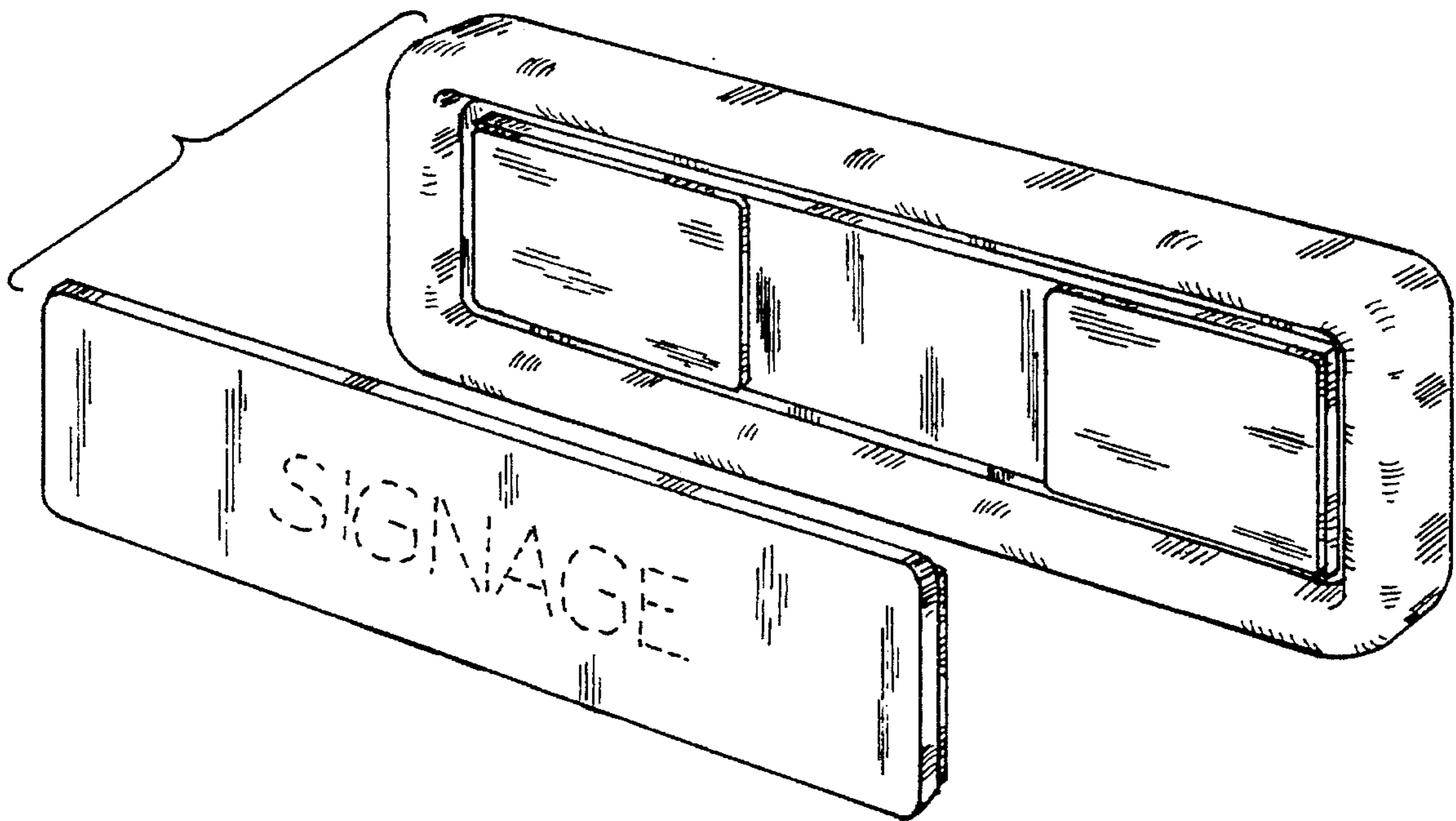
FIG. 2 is a front perspective view similar to FIG. 1 except the signage plate is illustrated in an exploded arrangement;

FIG. 3 is a front elevational view thereof;

FIG. 4 is a sectional view taken along lines 4—4 as shown in FIG. 3; and,

FIG. 5 is a sectional view taken along line 5—5 as shown in FIG. 3.

**1 Claim, 2 Drawing Sheets**



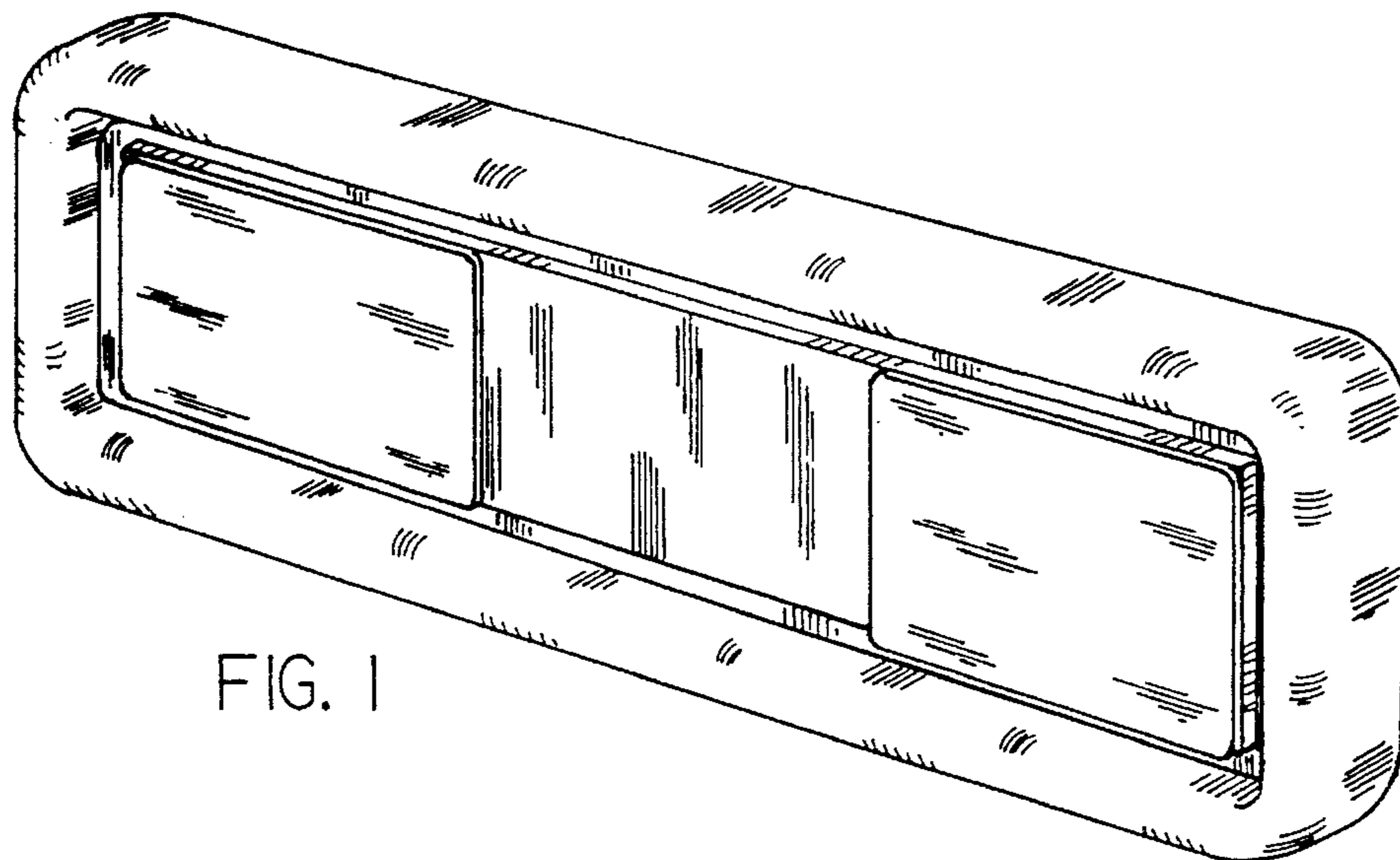


FIG. 1

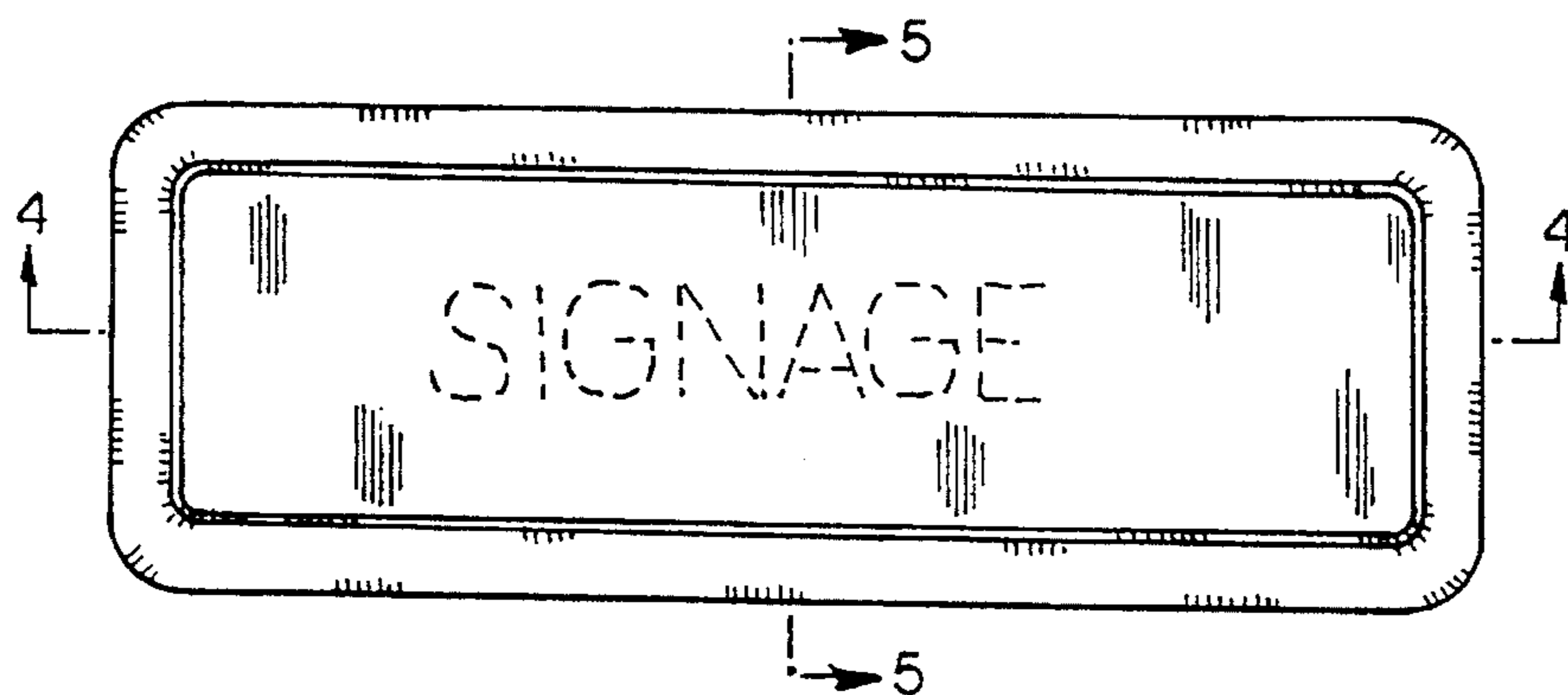


FIG. 3

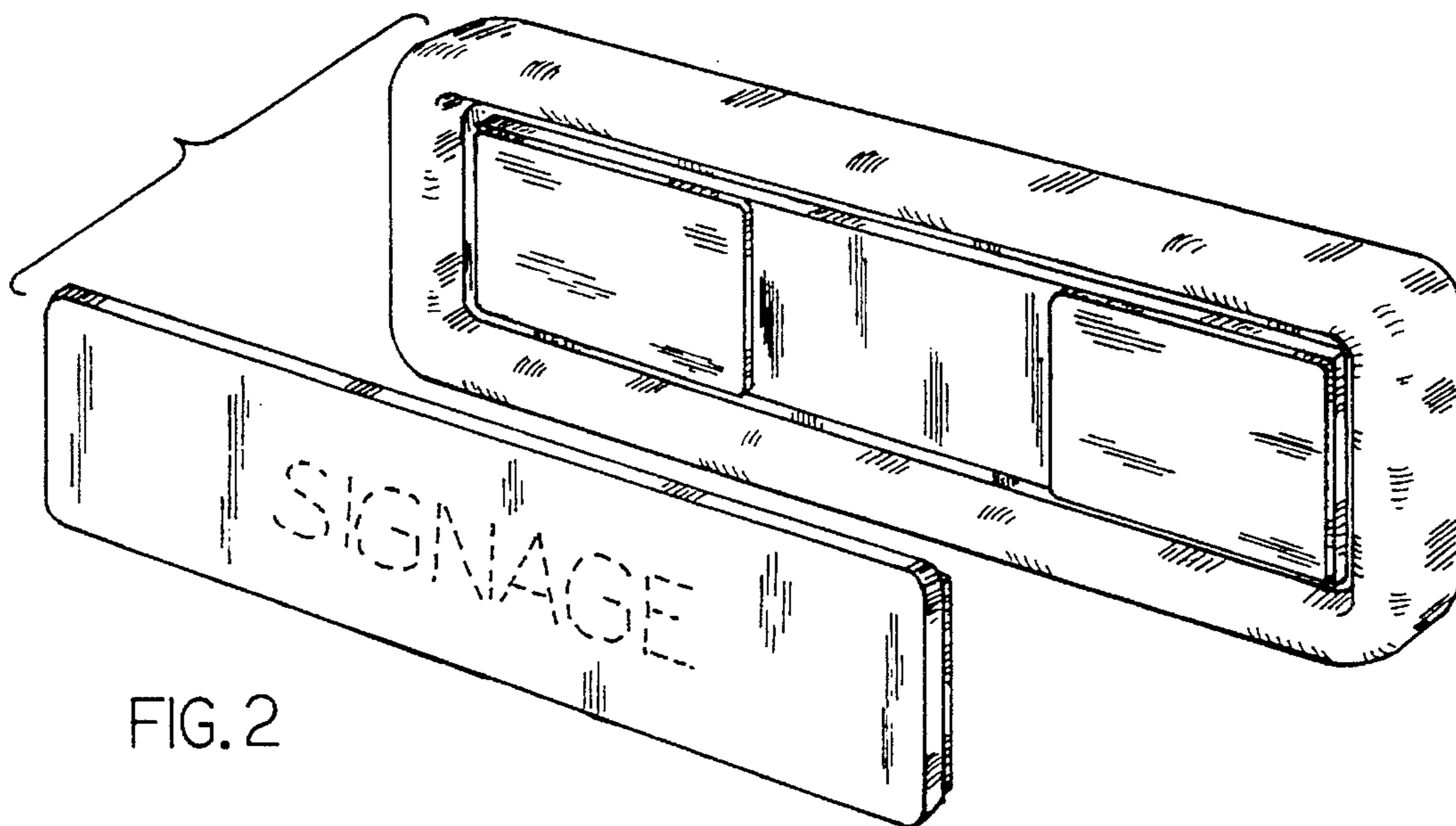


FIG. 2



FIG. 4



FIG. 5