



US00D369621S

# United States Patent [19]

Krayer, Jr. et al.

[11] Patent Number: **Des. 369,621**

[45] Date of Patent: **\*\*May 7, 1996**

[54] **HANGING FILE**

[75] Inventors: **Kenneth R. Krayer, Jr.**, Erie, Pa.;  
**Jarrold L. Linton**, New York, N.Y.;  
**David K. Peschel**, San Francisco,  
Calif.; **Stephen D. Russak**, Fort Lee,  
N.J.; **Tucker L. Viemeister**, New York,  
N.Y.

[73] Assignee: **Steelcase Inc.**, Grand Rapids, Mich.

[\*\*] Term: **14 Years**

[21] Appl. No.: **36,042**

[22] Filed: **Mar. 10, 1995**

[52] U.S. Cl. .... **D19/75; D19/77; D19/78;**  
**D19/69; D19/90**

[58] **Field of Search** ..... **D19/65, 67-69,**  
**D19/75, 76, 77, 78, 81-85, 86, 90, 91,**  
**92, 95, 99, 100; 211/10, 11, 13, 69.1-69.9;**  
**206/214, 224, 371; 225/6, 7, 25, 19, 39,**  
**45, 6, 65, 77, 89; 40/359**

[56] **References Cited**

**U.S. PATENT DOCUMENTS**

D. 264,225 4/1982 Hermes ..... D19/69 X

D. 266,675 10/1982 Polhemus et al. .  
D. 285,098 8/1986 Ermanski ..... D19/90  
D. 323,532 1/1992 Evenson .  
D. 330,219 10/1992 Carlson et al. .... D19/77  
D. 342,758 12/1993 Kirchhoff et al. .... D19/75  
D. 354,310 1/1995 Crist et al. .... D19/78 X  
4,176,743 12/1979 Fitzpatrick .

*Primary Examiner*—Martie Thompson  
*Attorney, Agent, or Firm*—Price, Heneveld, Cooper, DeWitt  
& Litton

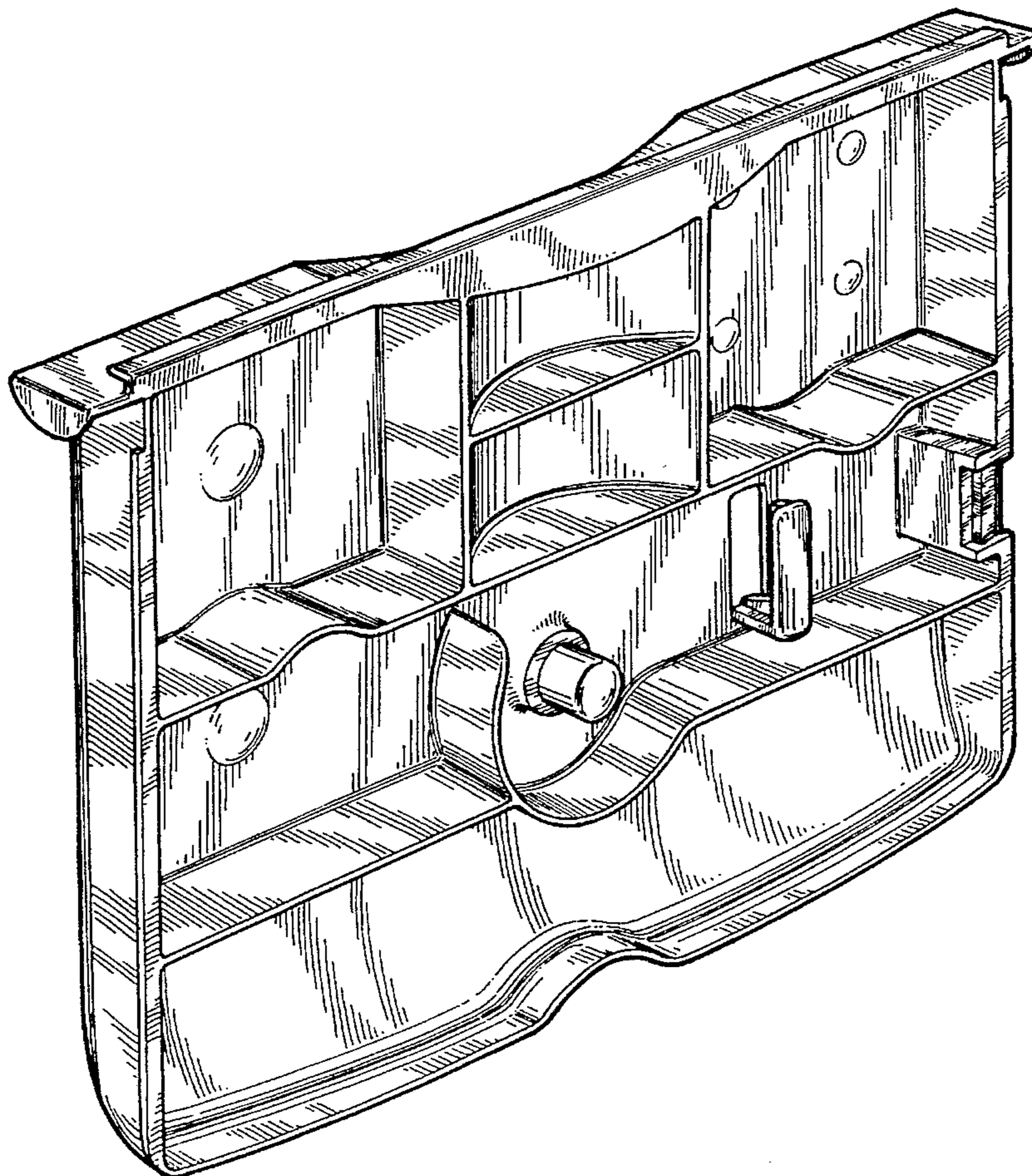
[57] **CLAIM**

The ornamental design for a hanging file, as shown and described.

**DESCRIPTION**

FIG. 1 is a perspective view of a hanging file, showing our new design;  
FIG. 2 is a left hand side elevational view;  
FIG. 3 is a front elevational view; and,  
FIG. 4 is a right hand side elevational view thereof.

**1 Claim, 2 Drawing Sheets**



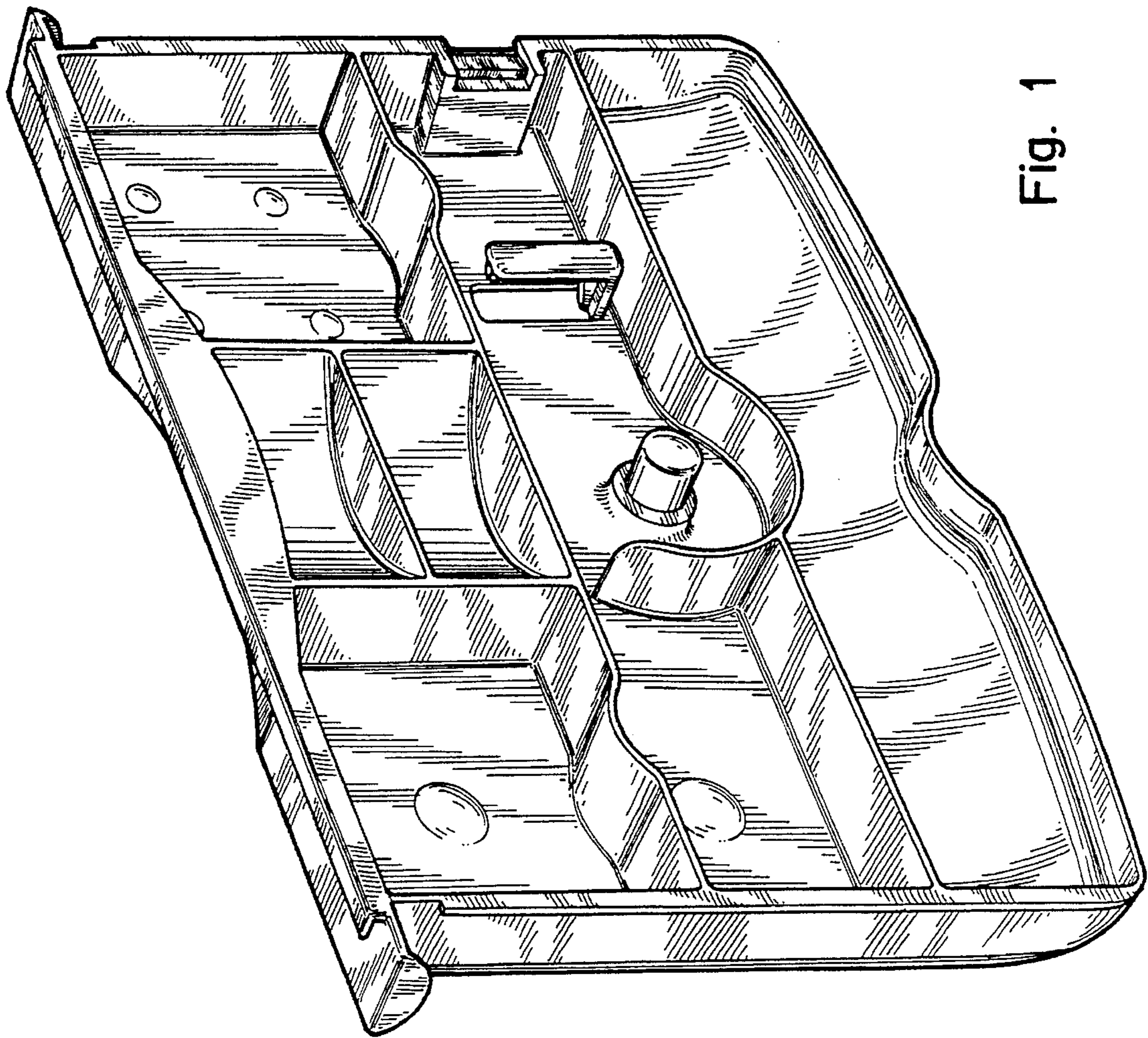


Fig. 1

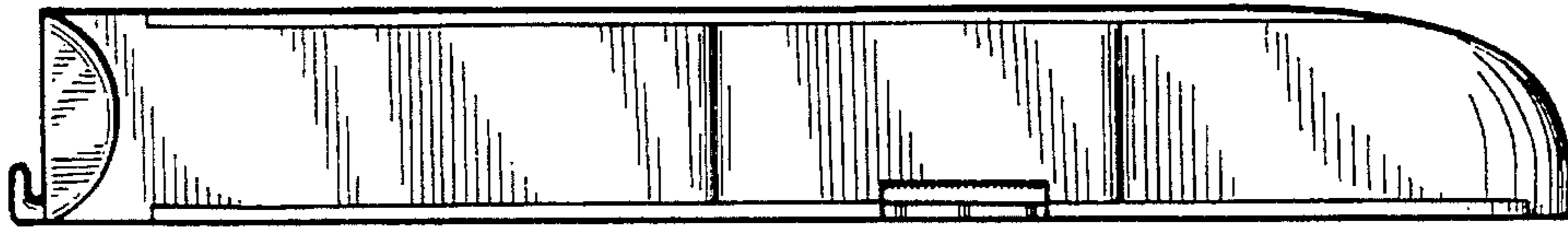


Fig. 4

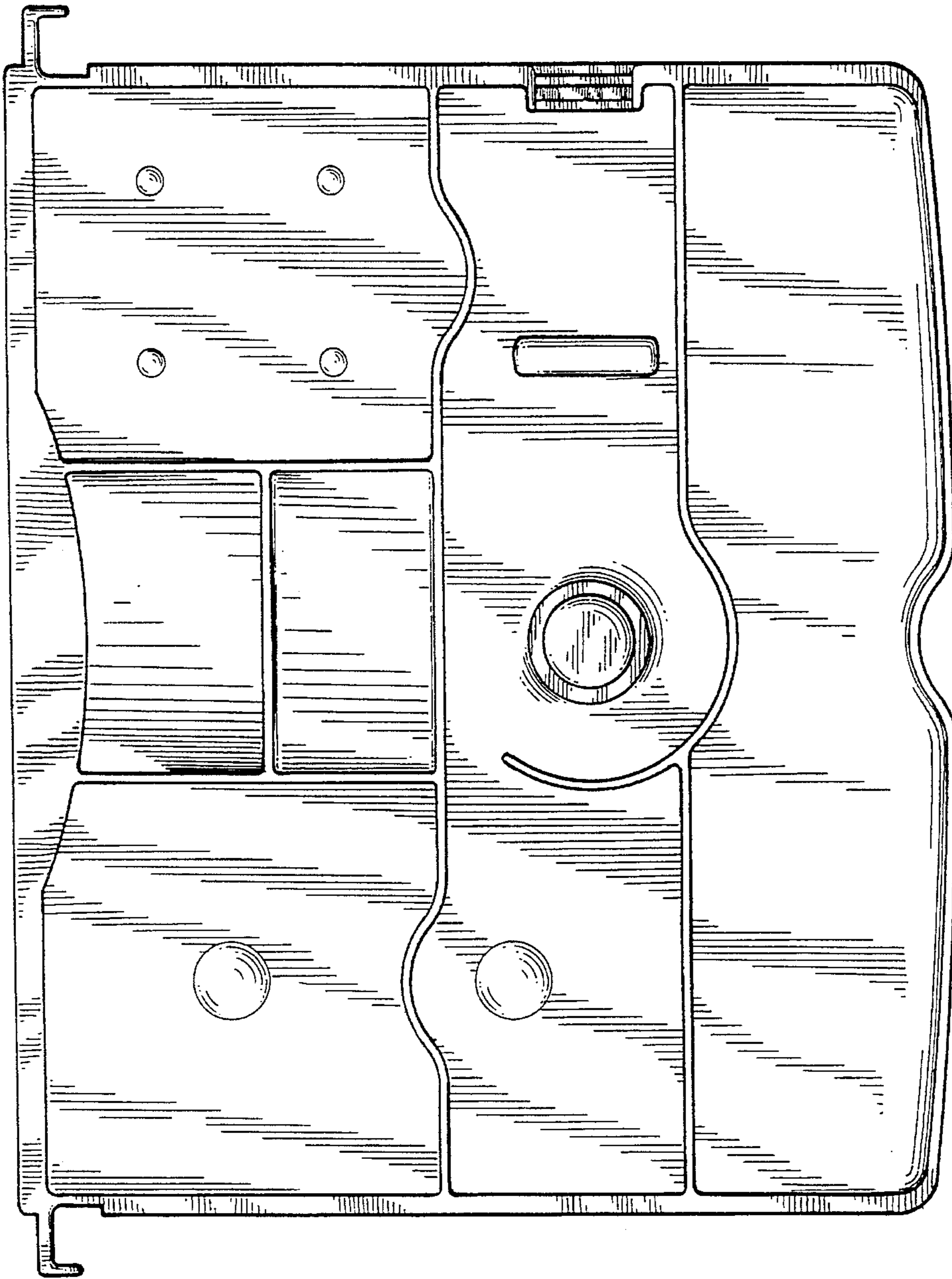


Fig. 3

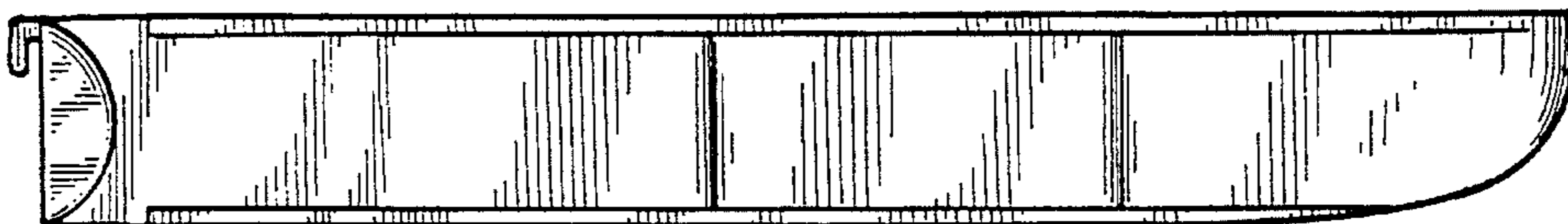


Fig. 2