



US00D369619S

United States Patent [19] Rogers

[11] Patent Number: **Des. 369,619**
[45] Date of Patent: ****May 7, 1996**

[54] **ELAPSED TIME TEACHING AID**
[76] Inventor: **Janice L. Rogers**, 7695 Cayuga Dr.,
Cincinnati, Ohio 45243
[**] Term: **14 Years**
[21] Appl. No.: **35,618**
[22] Filed: **Mar. 3, 1995**
[52] U.S. Cl. **D19/64; D10/26**
[58] Field of Search D19/59, 60, 62,
D19/64; D21/5, 6, 22; D10/1, 26; 434/304,
128; 368/316, 317

3,608,214 9/1971 Rancati .
3,803,831 4/1974 Horzick .
4,368,045 1/1983 Kuh .

Primary Examiner—A. Hugo Word
Assistant Examiner—Pamela Burgess
Attorney, Agent, or Firm—Wood, Herron & Evans

[57] CLAIM

The ornamental design for an elapsed time teaching aid, as shown and described.

DESCRIPTION

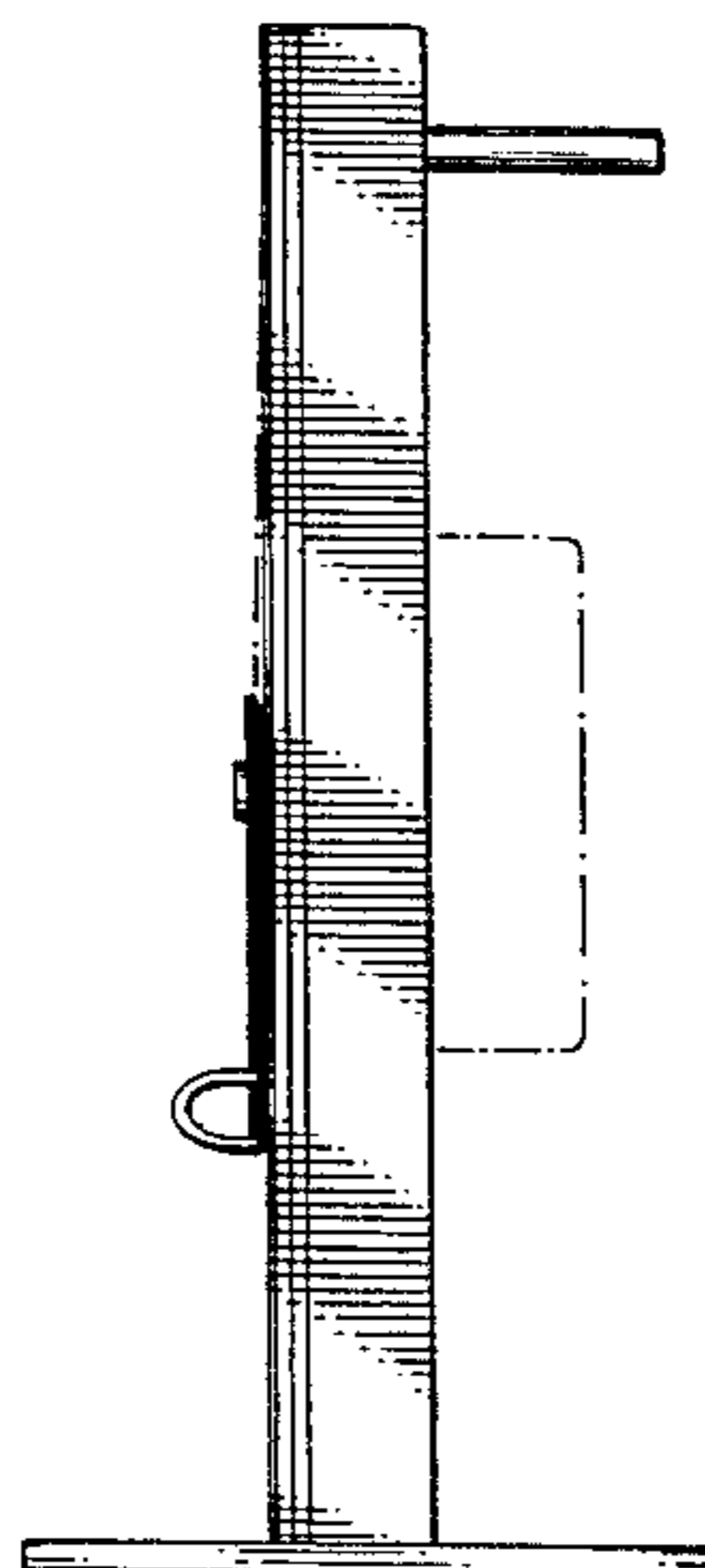
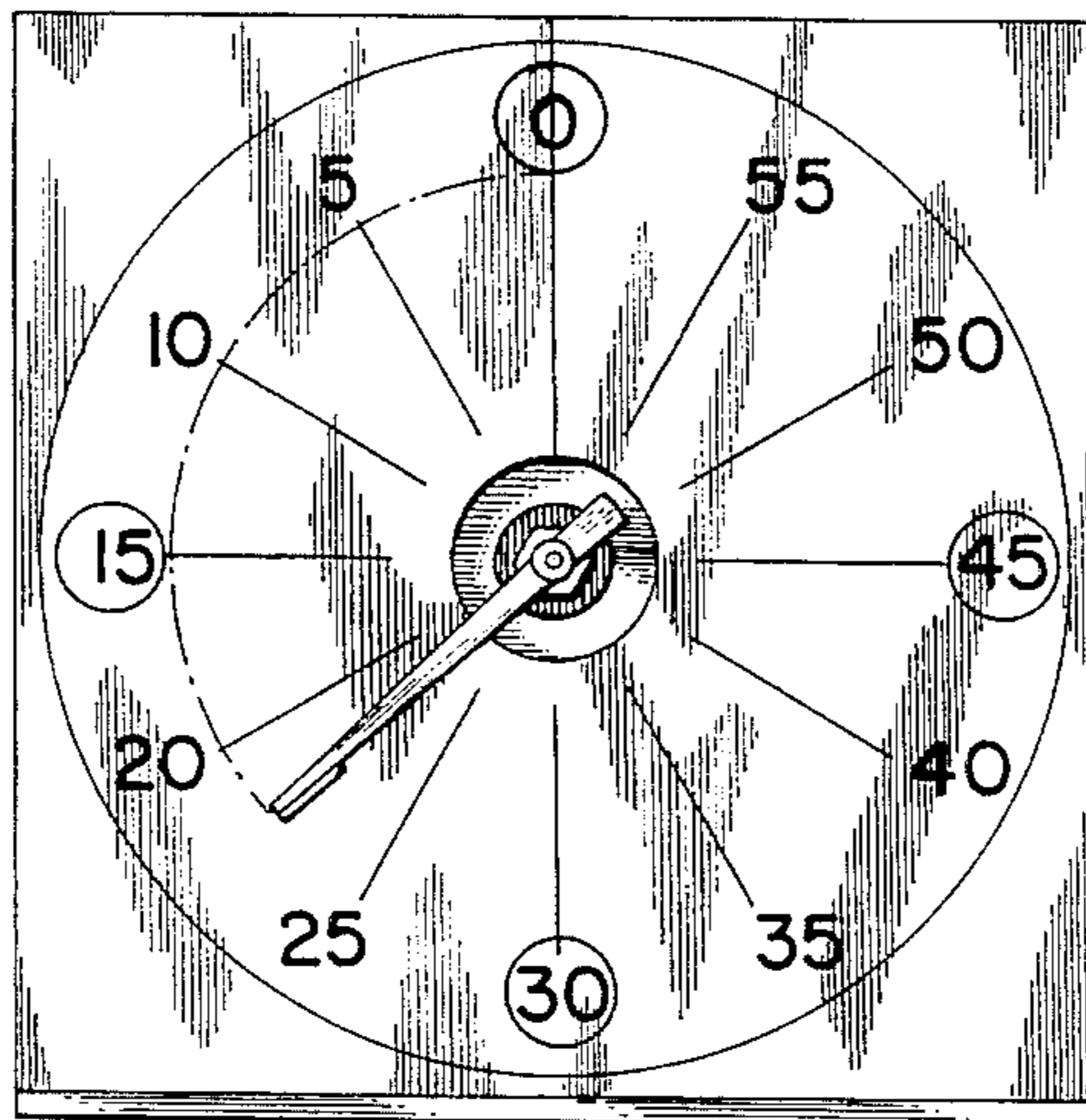
FIG. 1 is a front elevational view of an elapsed time teaching aid showing my new design;
FIG. 2 is a side elevational view, the opposite side being a mirror image thereof;
FIG. 3 is a top plan view thereof;
FIG. 4 is a rear elevational view thereof; and,
FIG. 5 is a bottom plan view thereof.
The broken lines shown in FIGS. 1, 2, 3 and 4 are for illustrative purposes only and form no part of the claimed design.

[56] References Cited

U.S. PATENT DOCUMENTS

D. 43,733	3/1913	Buckland	D10/26
D. 268,686	4/1983	Wolf	D19/64
D. 271,567	11/1983	Powell	D10/26
D. 298,609	11/1988	Dawson, Jr.	D10/26
D. 346,965	5/1994	Wolff	D10/264
D. 347,656	6/1994	Bumbarger	D19/64
2,011,517	8/1935	Geoffrion	.	
2,255,188	9/1941	Rieper	.	
2,816,373	12/1957	Caddy	.	

1 Claim, 2 Drawing Sheets



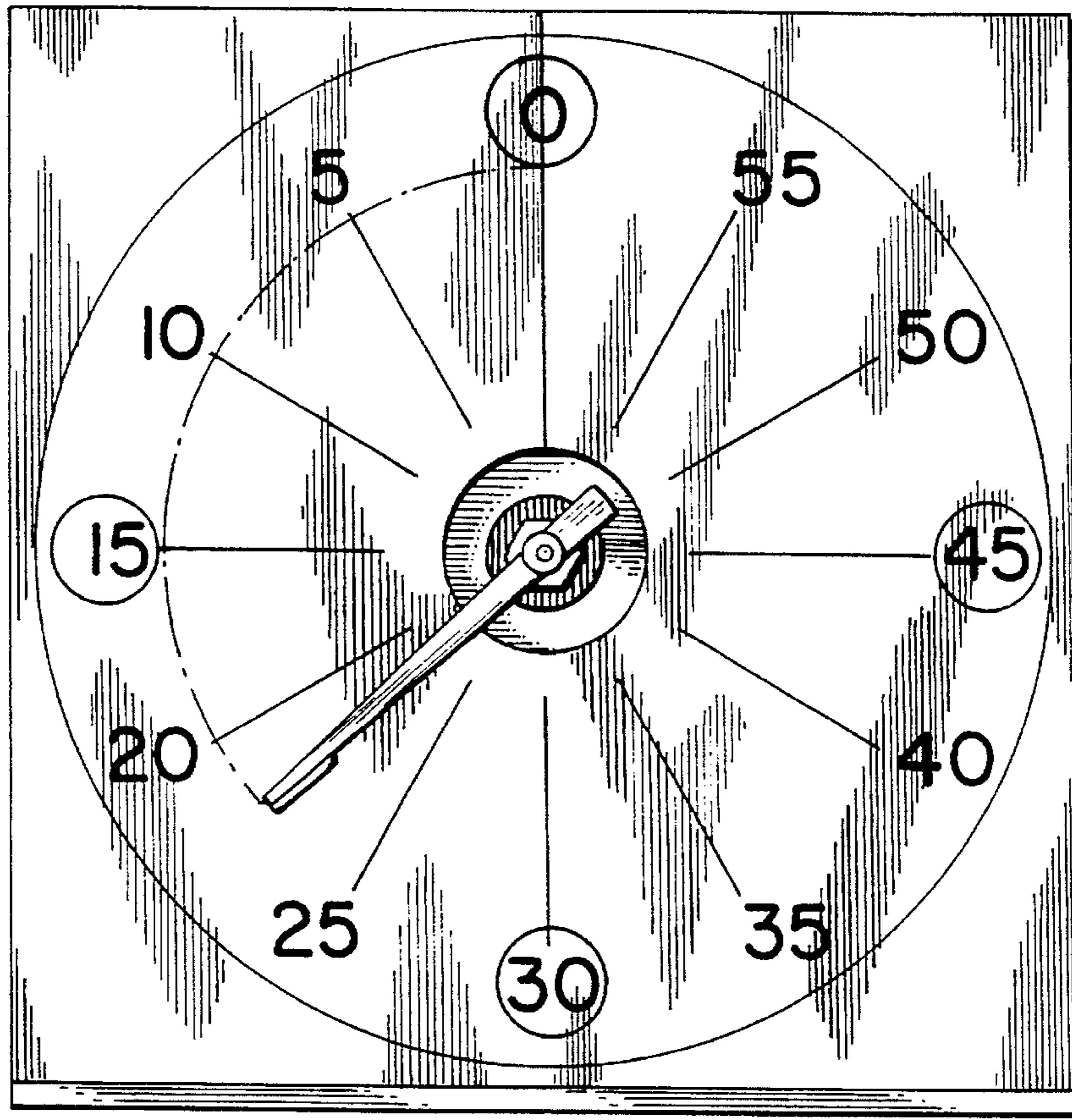


FIG. 1

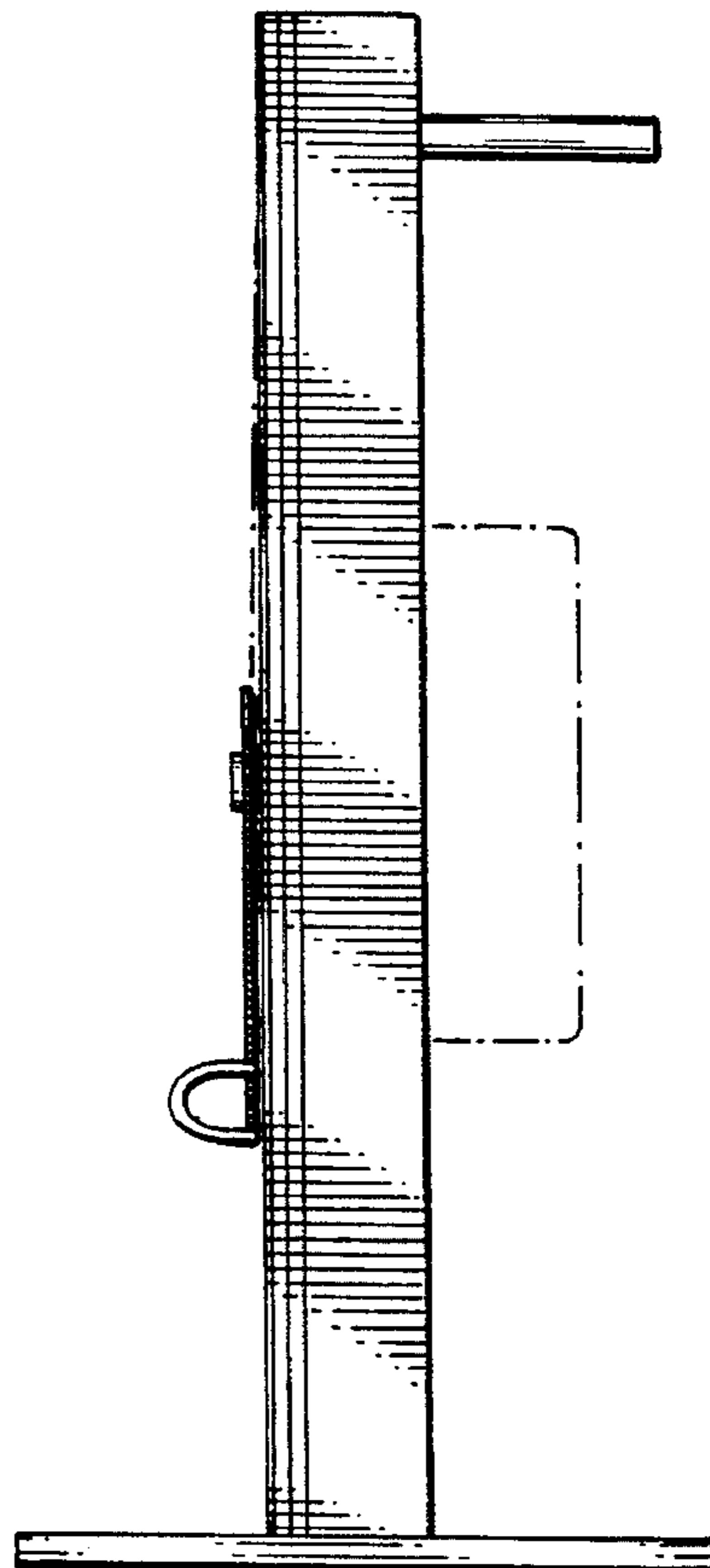


FIG. 2

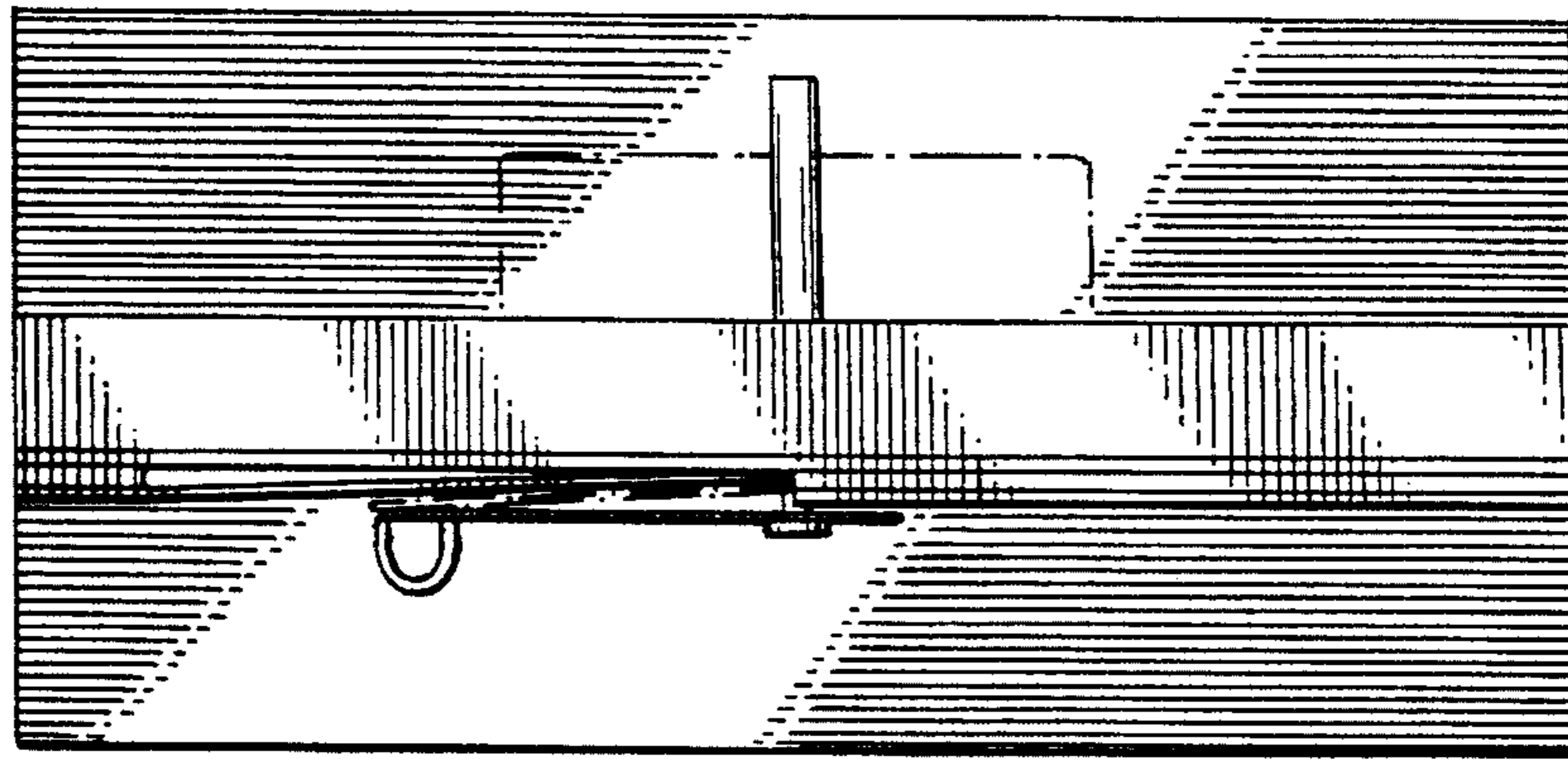


FIG. 3

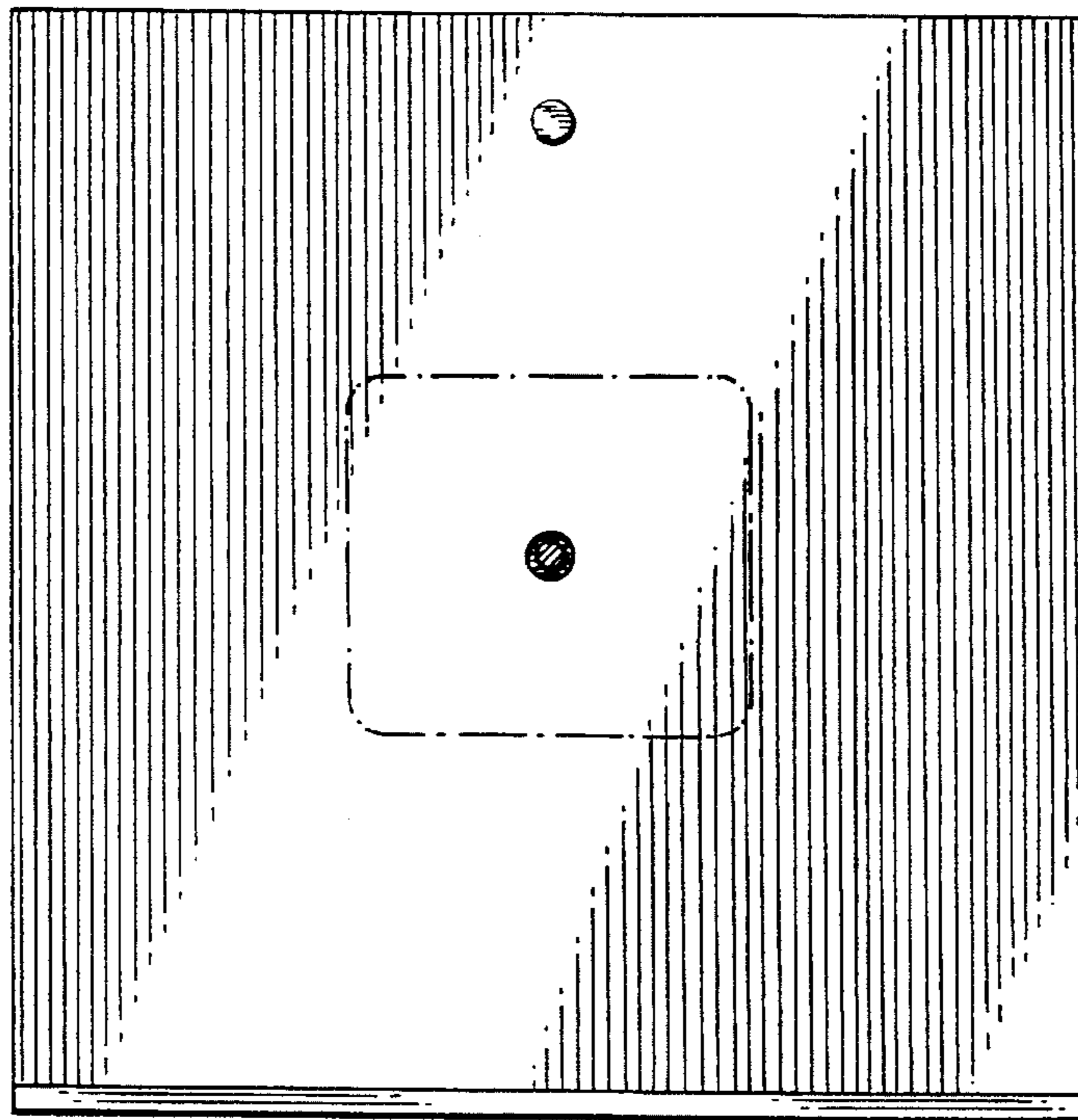


FIG. 4

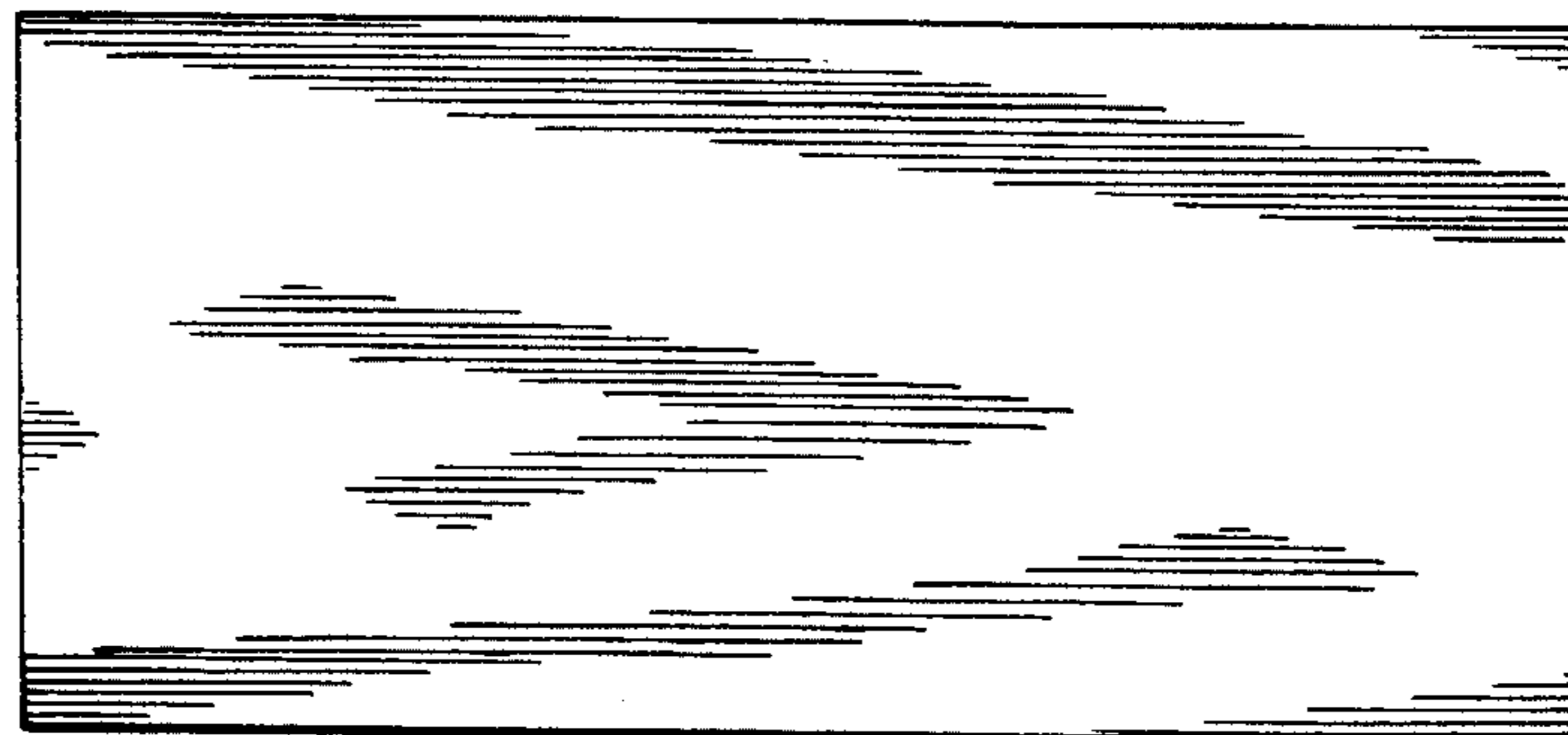


FIG. 5