



US00D369611S

United States Patent [19]
Hasegawa

[11] **Patent Number: Des. 369,611**
[45] **Date of Patent: **May 7, 1996**

[54] **GLASS SLIDE SCOPE**

[75] Inventor: **Fumio Hasegawa**, Nagoya, Japan

[73] Assignee: **Elmo Company Limited**, Japan

[**] Term: **14 Years**

[21] Appl. No.: **31,673**

[22] Filed: **Dec. 2, 1994**

[30] **Foreign Application Priority Data**

Jun. 3, 1994 [JP] Japan 6-16288

[52] **U.S. Cl.** **D16/131; D16/130**

[58] **Field of Search** **D16/130, 131;**
33/233; 248/185; 353/DIG. 3; 354/79; 356/142,
148, 149, 241, 251, 253; 359/382, 383,
384, 399, 405, 407, 419, 430, 802, 804,
809, 810, 811, 816

[56] **References Cited**

U.S. PATENT DOCUMENTS

- D. 220,064 3/1971 Warren D16/130
- D. 236,543 8/1975 Berger et al. D16/131
- 1,727,889 9/1929 McCabe 359/811 X
- 3,171,883 3/1965 Jones 359/811 X
- 3,830,560 8/1974 Onanian 359/811 X
- 5,446,595 8/1995 McFall 359/804

FOREIGN PATENT DOCUMENTS

3-96614 10/1991 Japan .
10970 3/1919 United Kingdom 359/419

OTHER PUBLICATIONS

Uchidayoko, Co. Ltd., "*Manual for Glass Slide Scope PU-10*". Sep./Oct. 1993.

Primary Examiner—Louis S. Zarfes

Assistant Examiner—Monica A. Hannon

Attorney, Agent, or Firm—Ostrolenk, Faber, Gerb & Soffen

[57] **CLAIM**

The ornamental design for a glass slide scope, as shown and described.

DESCRIPTION

FIG. 1 is a front view of the glass slide scope embodying my new design;

FIG. 2 is a rear view thereof;

FIG. 3 is a top plane view thereof;

FIG. 4 is a bottom side view thereof;

FIG. 5 is a right side view thereof;

FIG. 6 is a left side view thereof;

FIG. 7 is a cross sectional view along a line 7—7 of FIG. 1 omitting the inner organization; and,

FIG. 8 is a perspective view as seen from the top and front of FIG. 1.

1 Claim, 8 Drawing Sheets

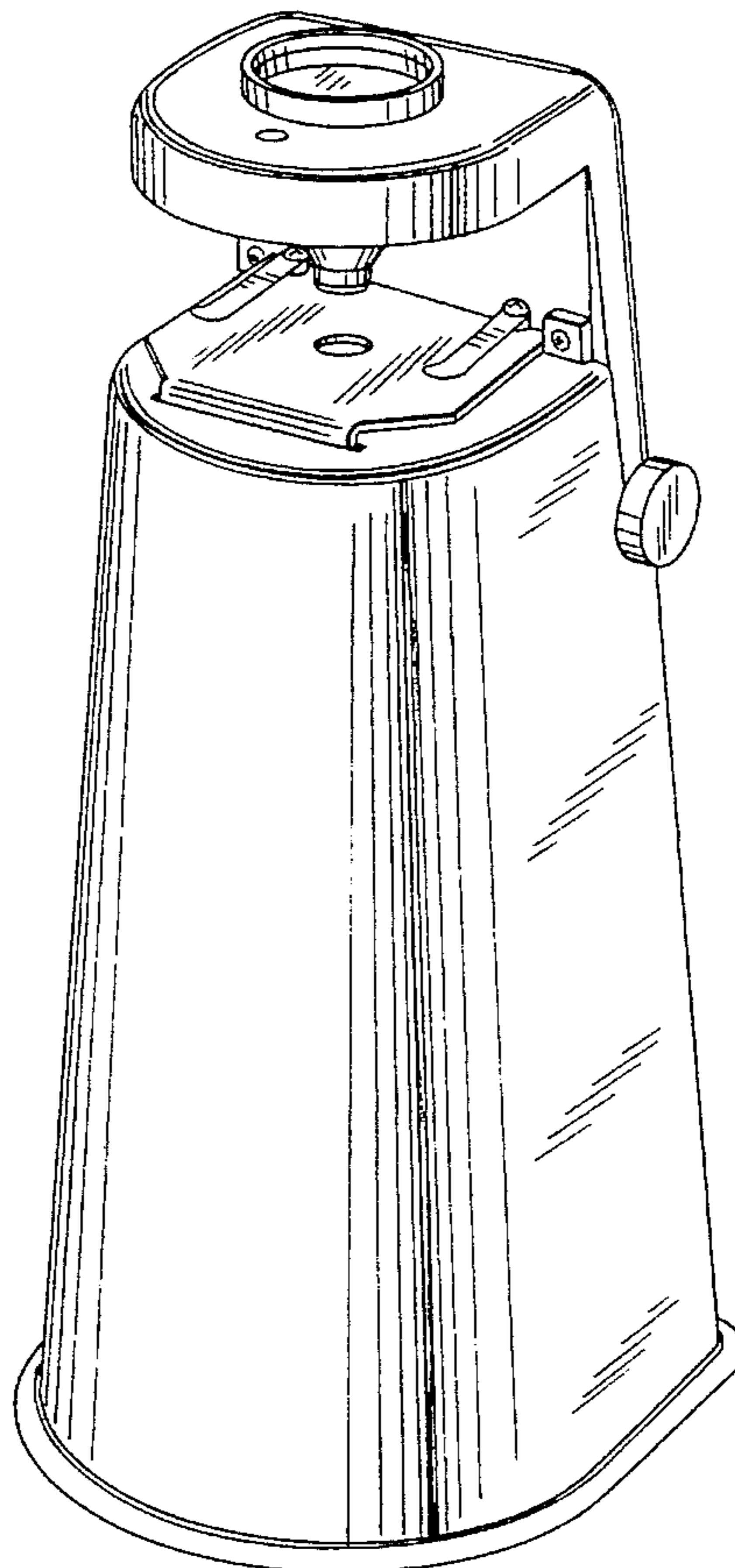
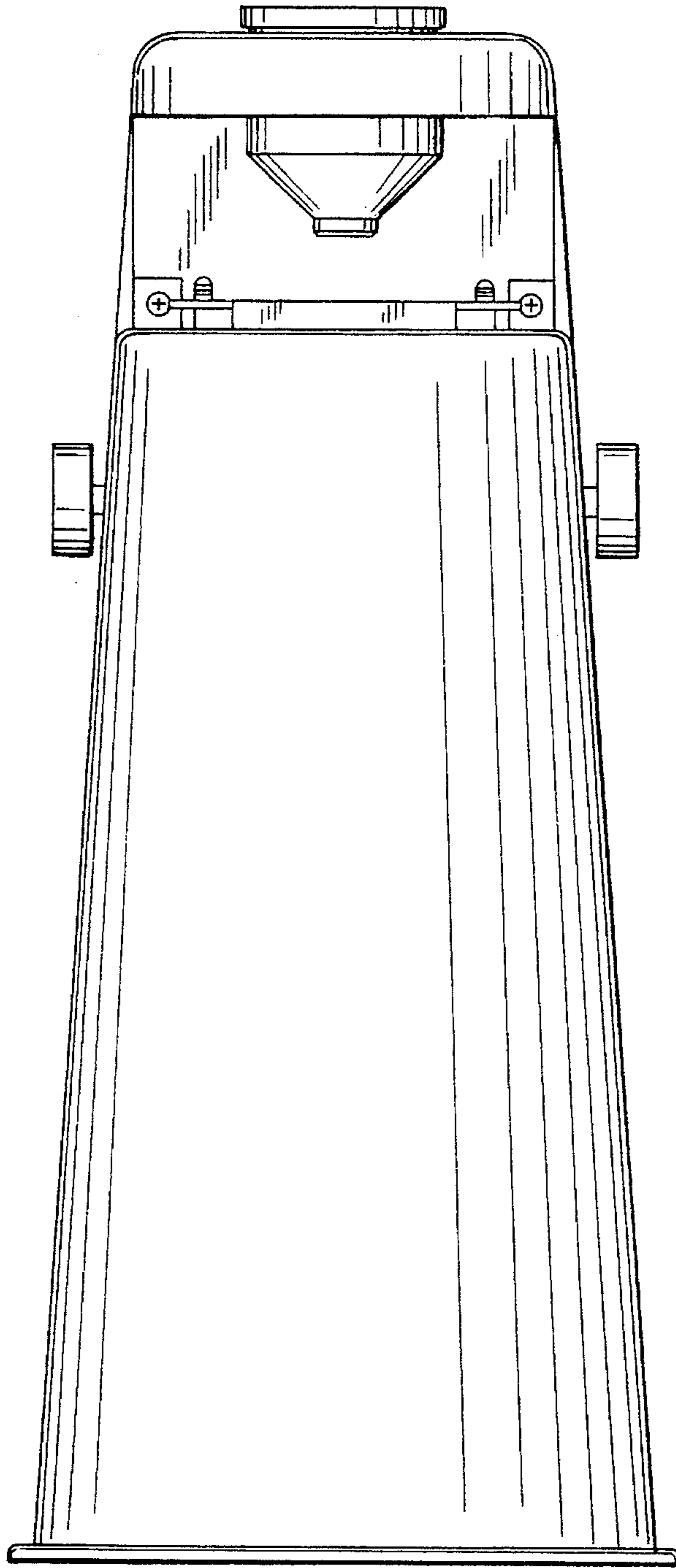


Fig. 1

7 ←



7 ←

Fig. 2

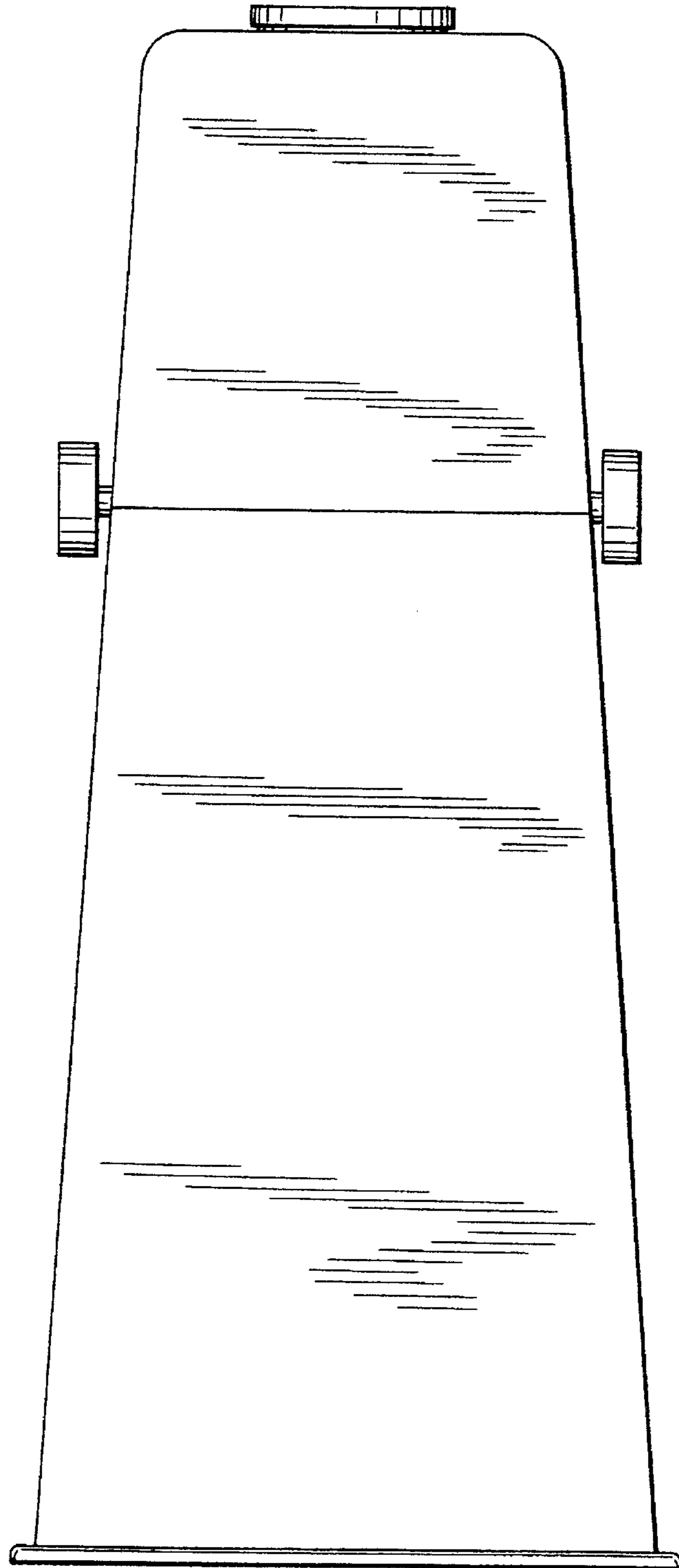


Fig. 3

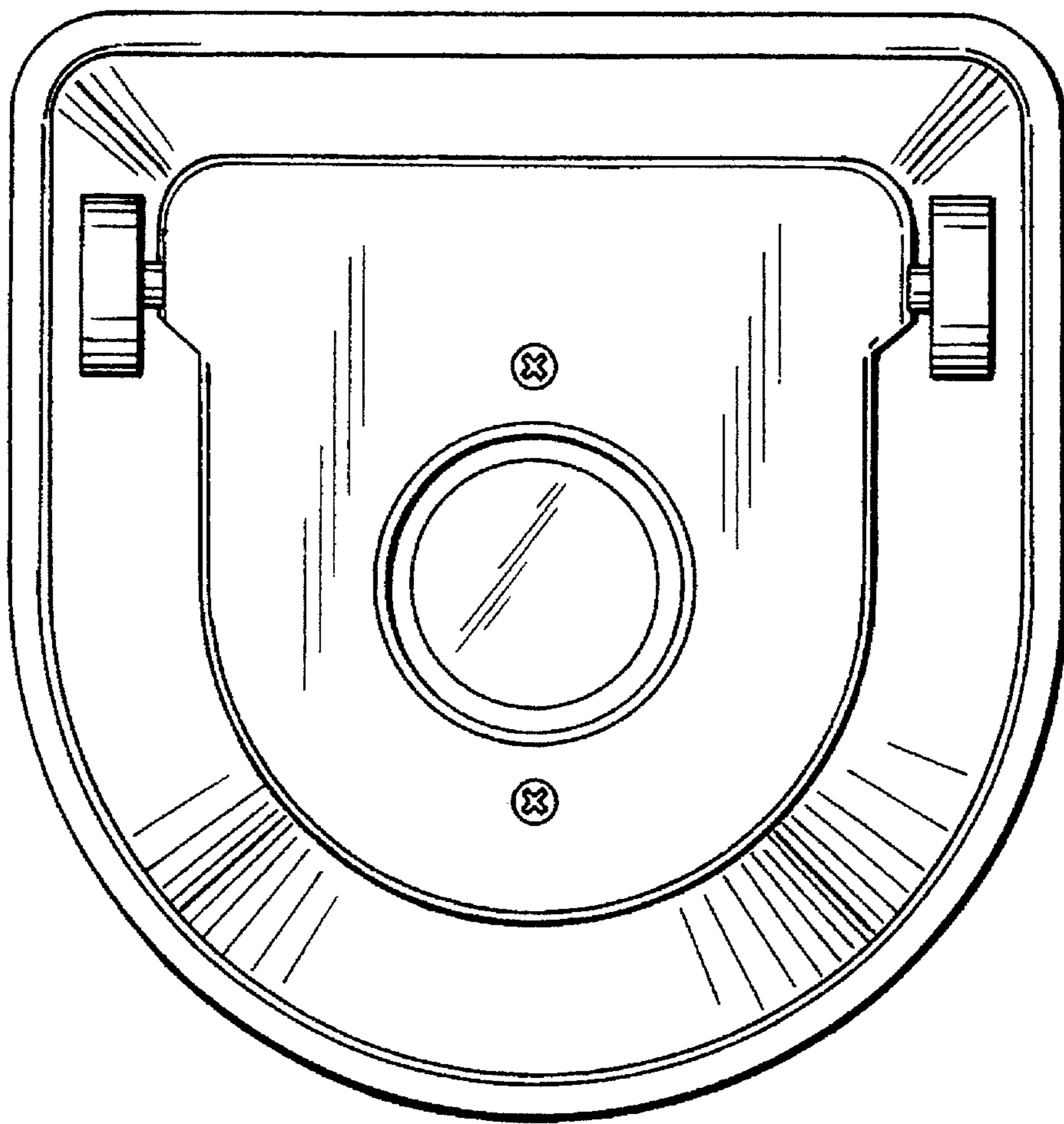


Fig. 4

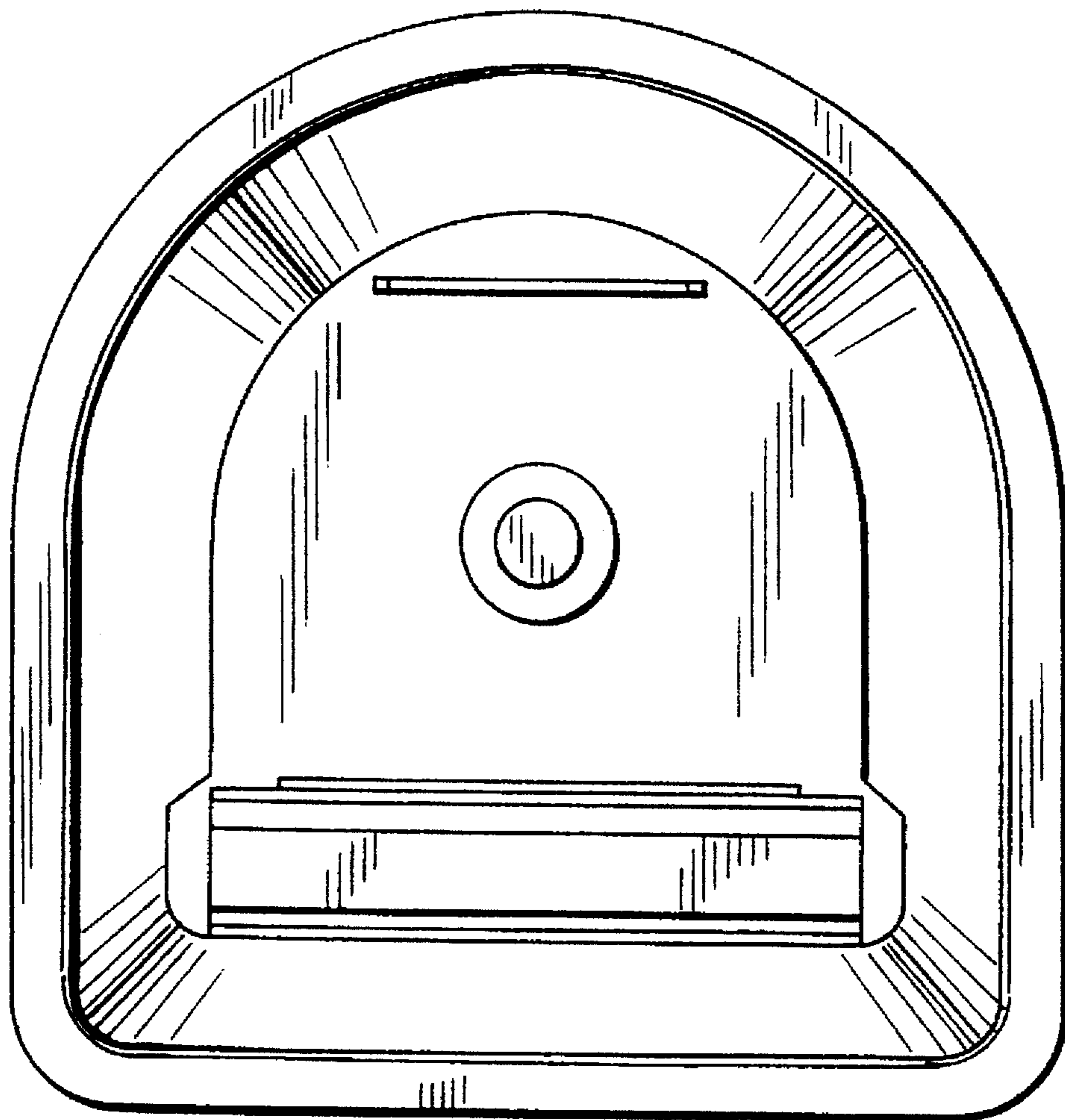


Fig. 5

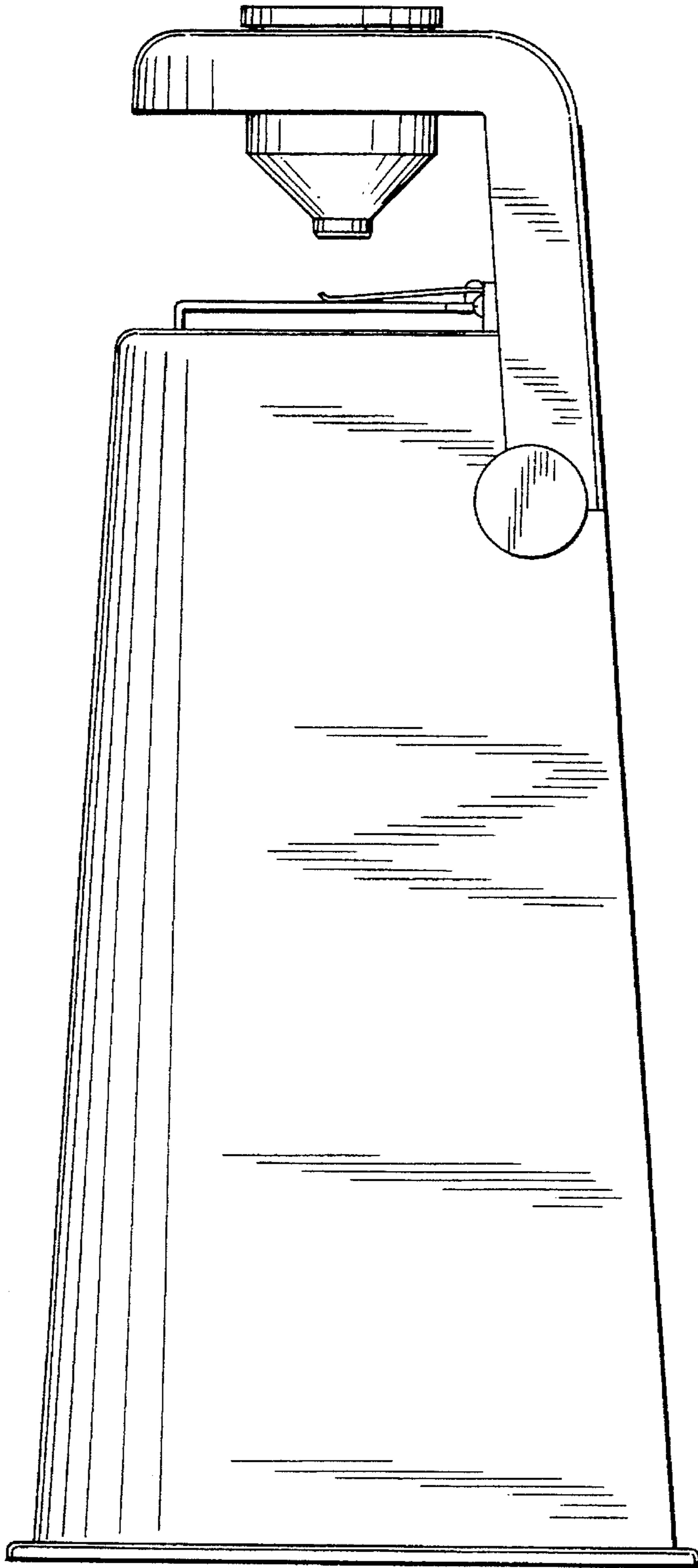


Fig. 6

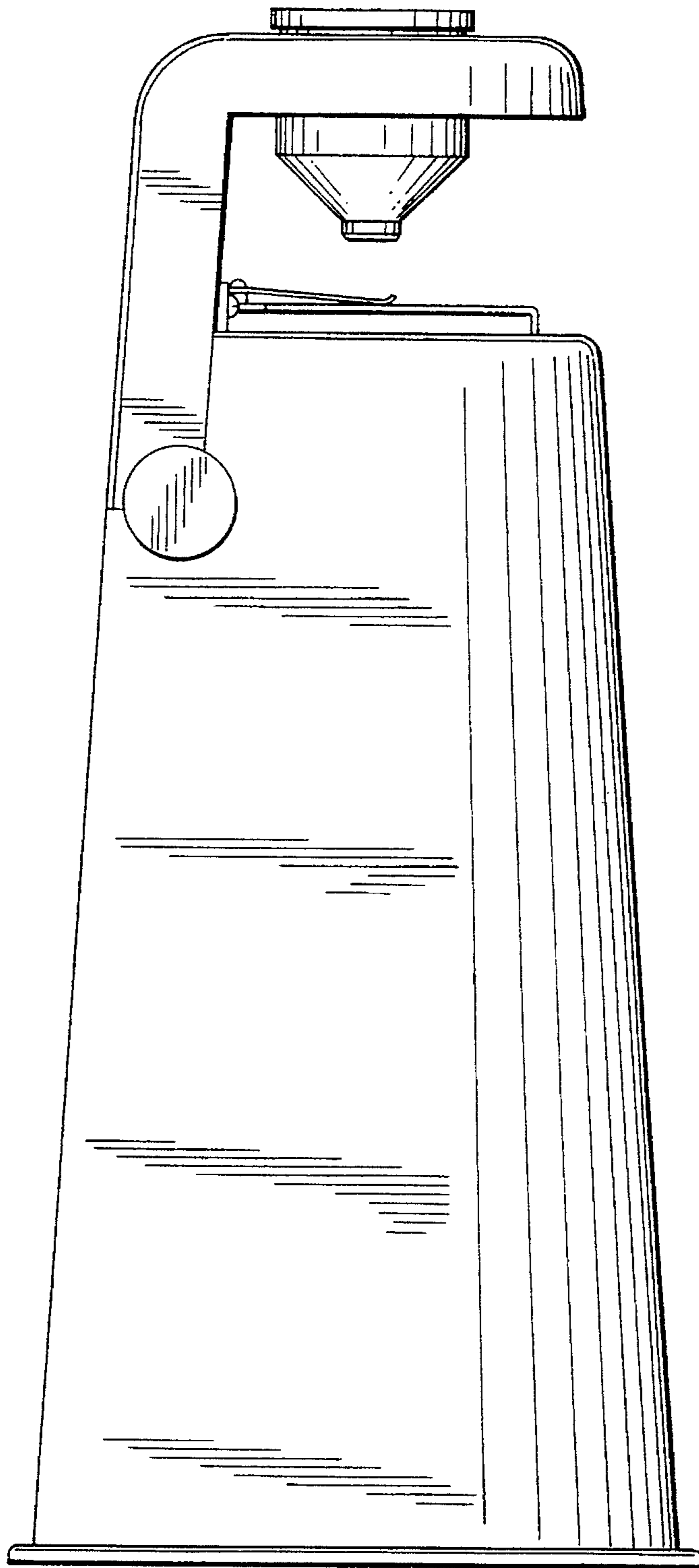


Fig. 7

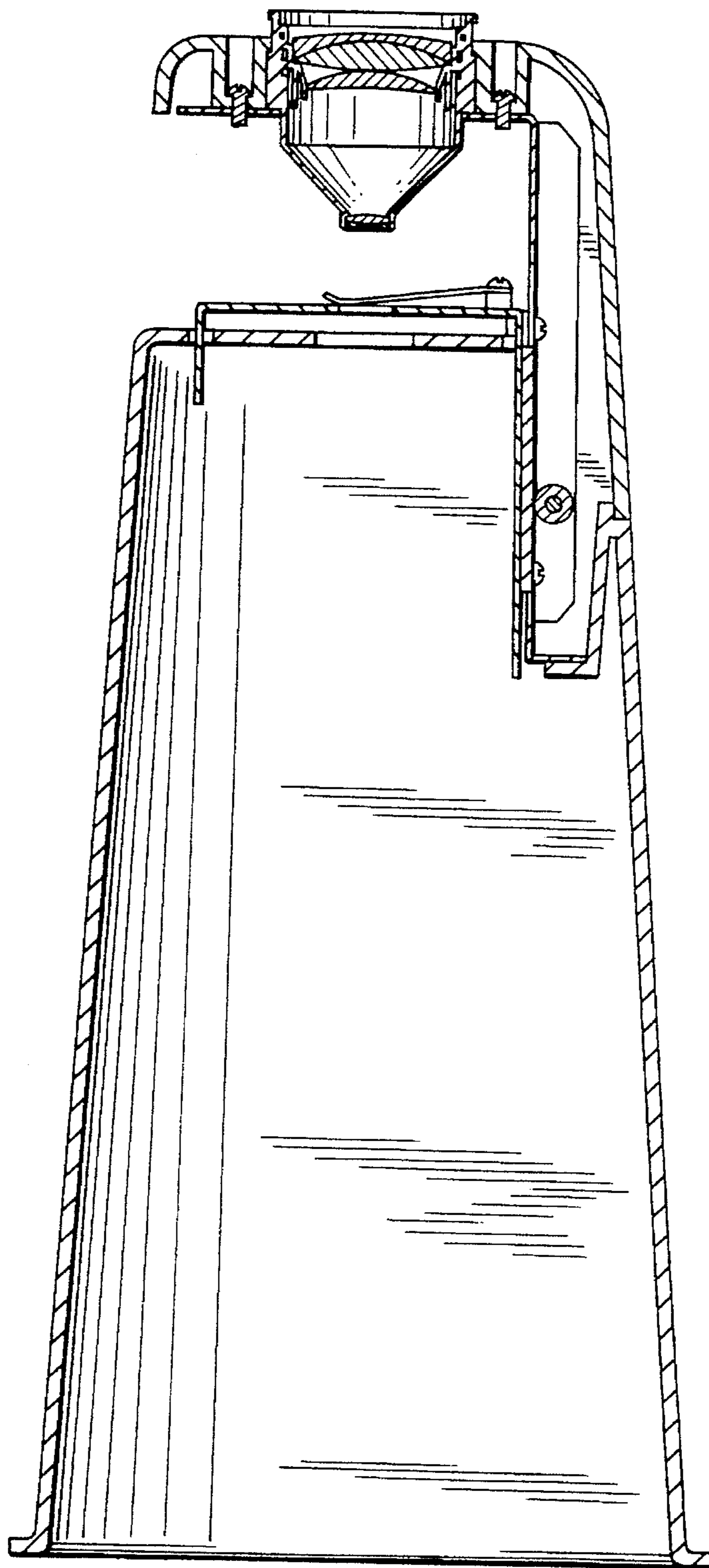


Fig. 8

