



US00D369609S

United States Patent [19]
Liao

[11] **Patent Number: Des. 369,609**
[45] **Date of Patent: **May 7, 1996**

[54] **BAND SAW**

3,566,731 3/1971 Ensley 83/816 X
3,975,978 8/1976 Cleland 83/814 X

[76] Inventor: **Wei S. Liao**, No. 19, Hua Mei Lane,
Chung Chen Rd., Ta Ya Hsiang,
Taichung Hsien, Taiwan

Primary Examiner—Antoine Duval Davis
Attorney, Agent, or Firm—Bacon & Thomas

[**] Term: **14 Years**

[57] **CLAIM**

[21] Appl. No.: **30,121**

The ornamental design for a band saw, as shown and described.

[22] Filed: **Nov. 2, 1994**

DESCRIPTION

[52] U.S. Cl. **D15/134**

[58] Field of Search D15/133, 134;
83/814, 815, 816, 817, 818, 819

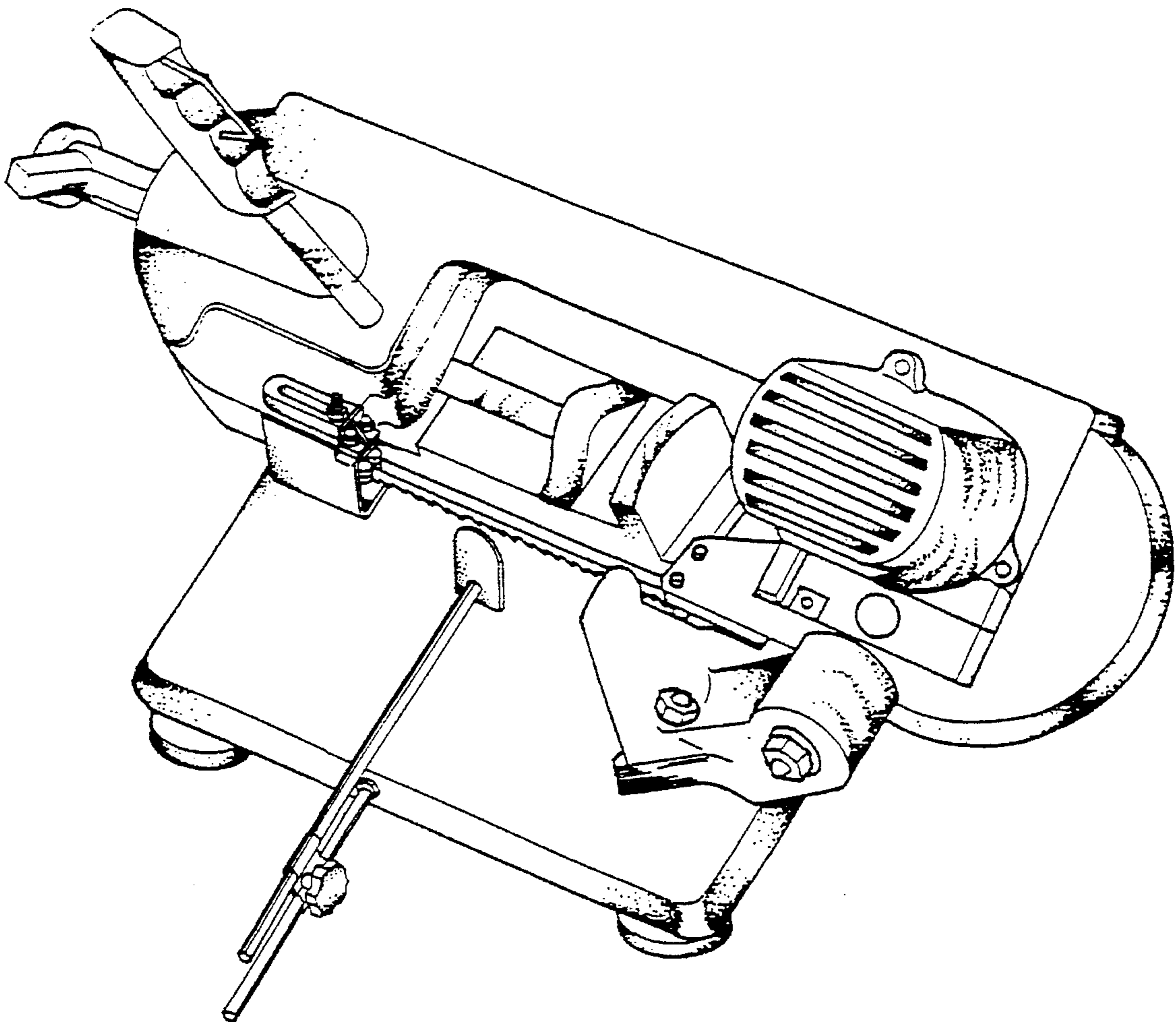
FIG. 1 is a left front perspective view of a band saw showing my new design;
FIG. 2 is a front elevational view thereof;
FIG. 3 is a rear elevational view thereof;
FIG. 4 is a left side elevational view thereof;
FIG. 5 is a right side elevational view thereof;
FIG. 6 is a top plan view thereof; and,
FIG. 7 is a bottom plan view thereof.

[56] **References Cited**

U.S. PATENT DOCUMENTS

D. 172,581	7/1954	Crane	D15/134
D. 217,799	6/1970	Amada	D15/134
D. 288,933	3/1987	Nishimura	D15/134
D. 345,171	3/1994	Watanabe et al.	D15/134

1 Claim, 6 Drawing Sheets



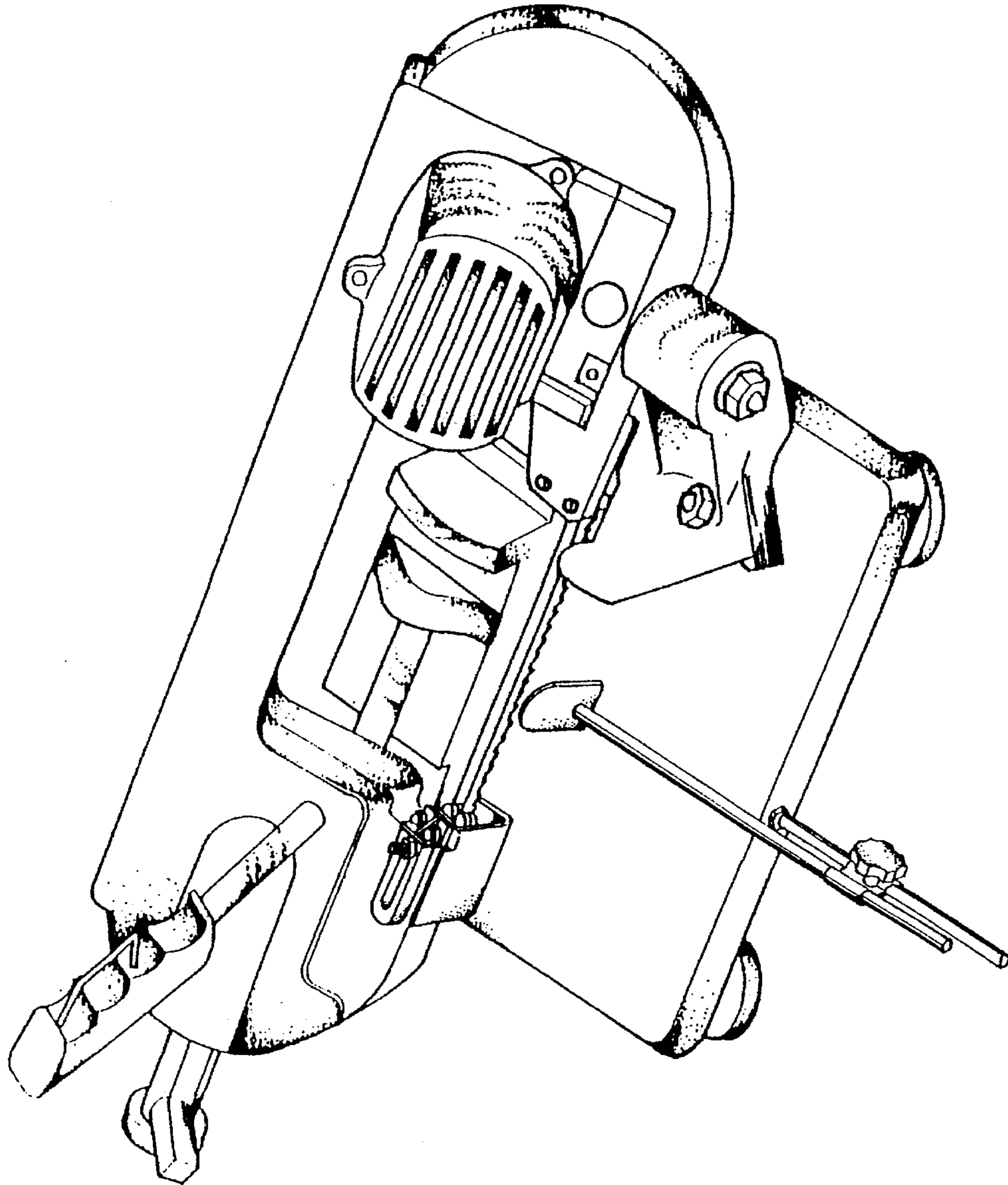


FIG.1

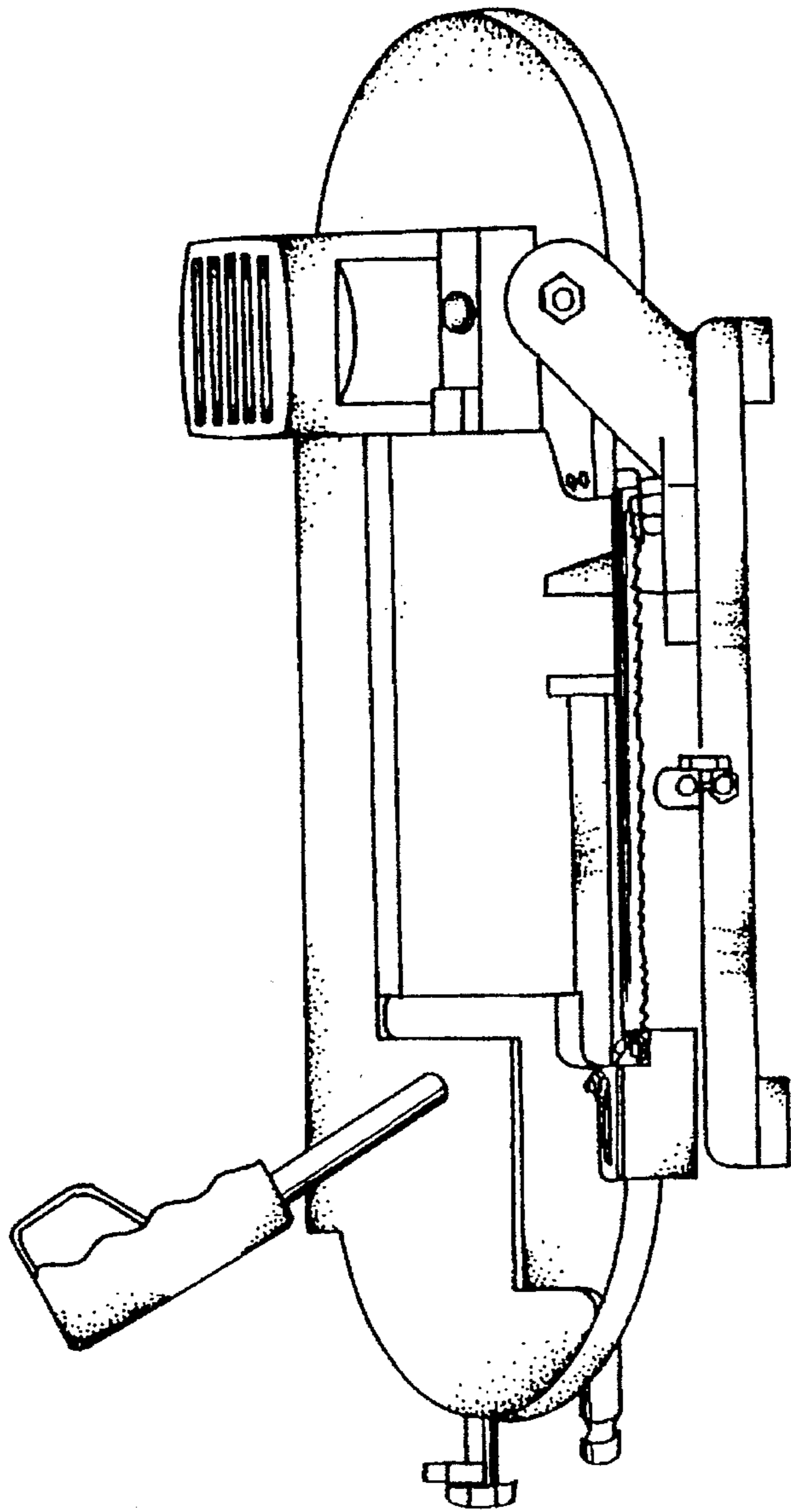


FIG.2

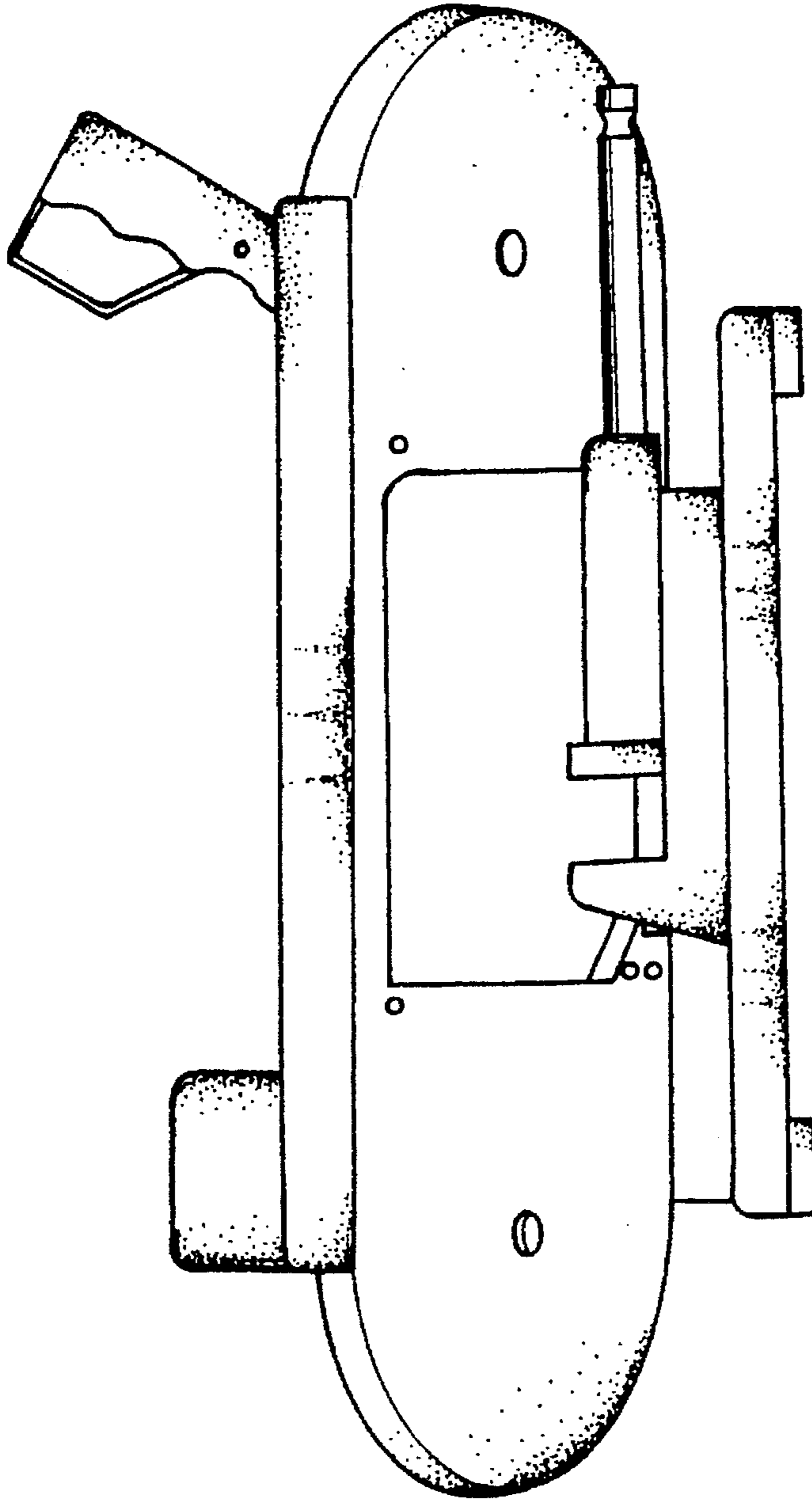


FIG. 3

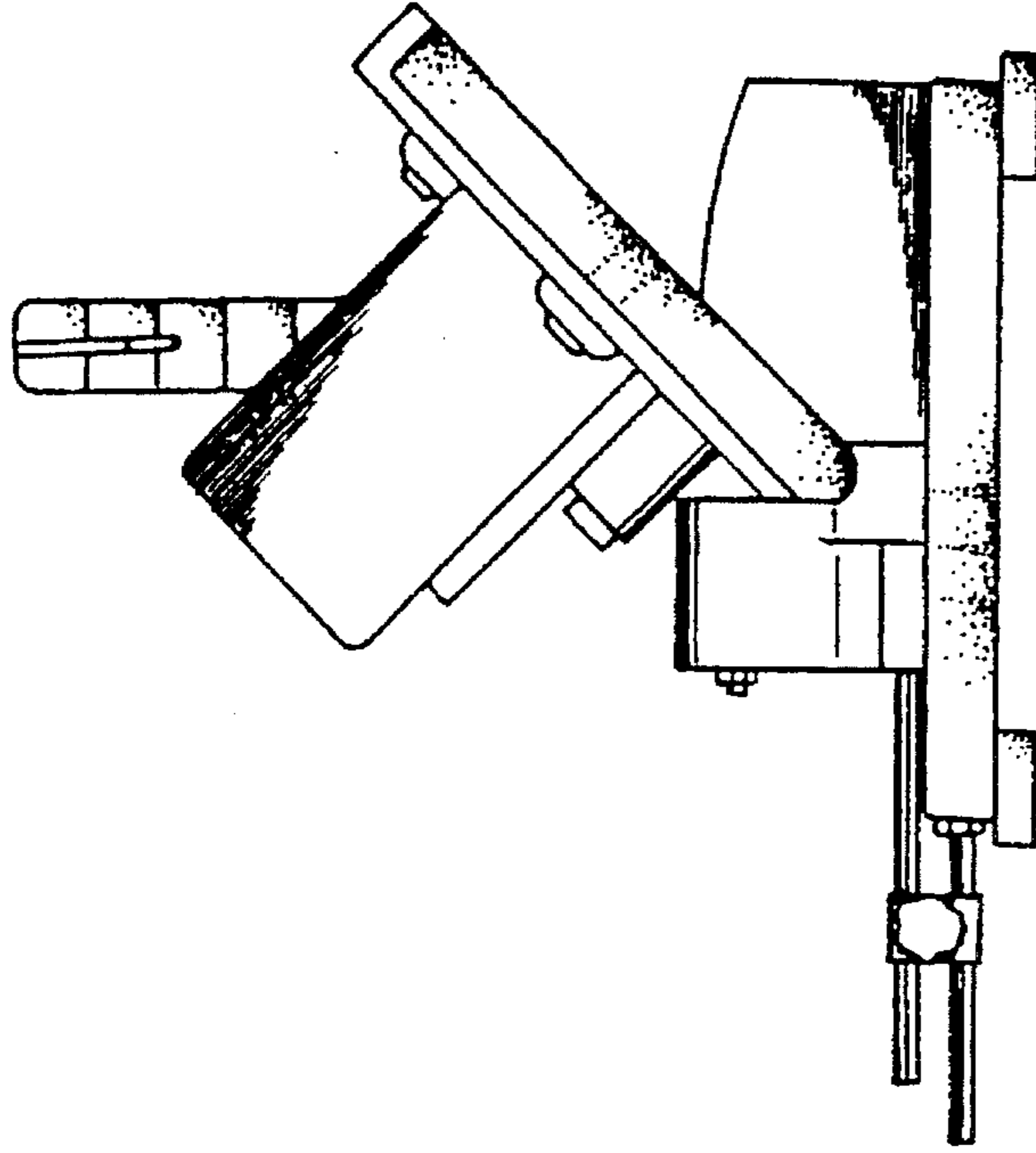


FIG.5

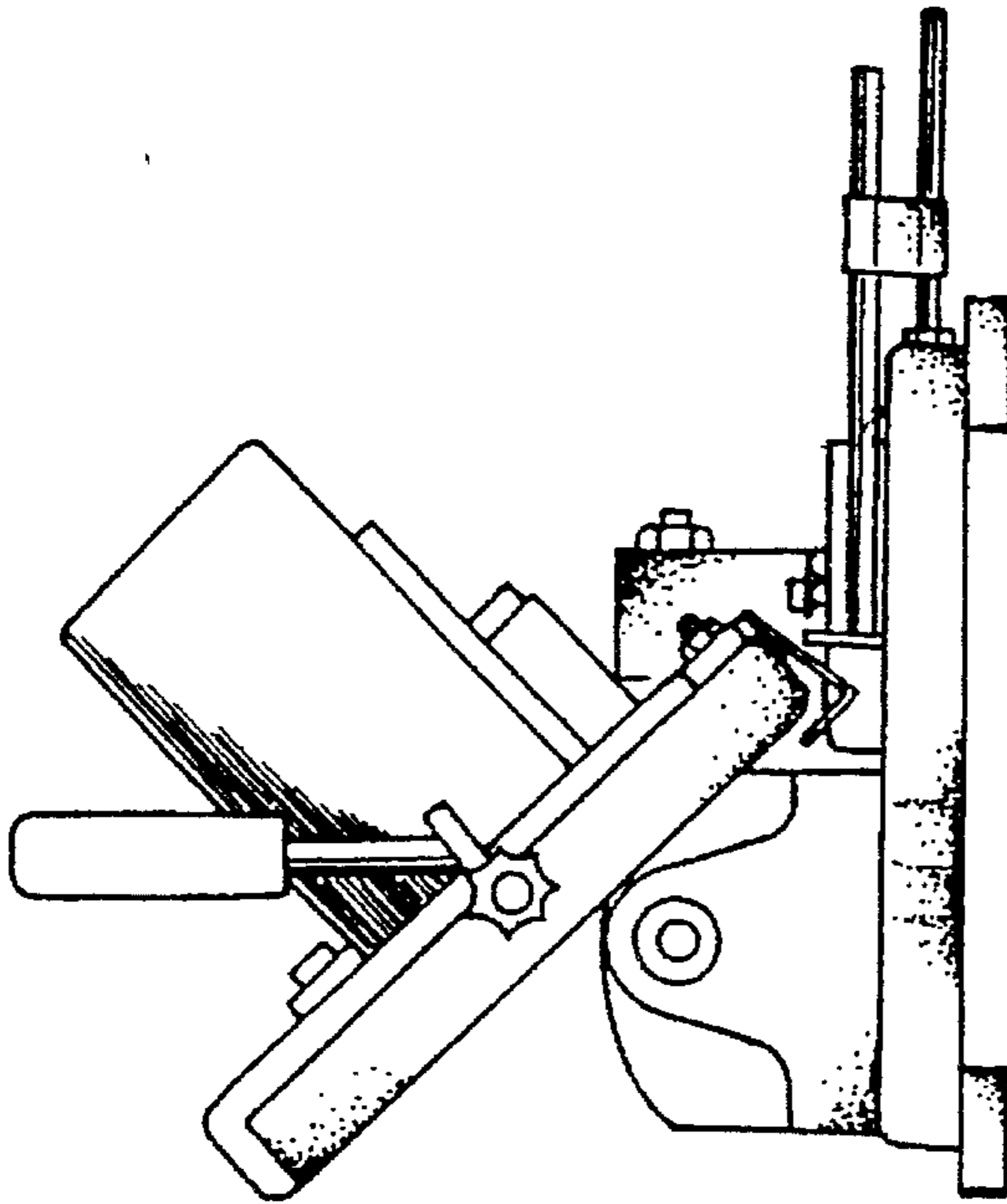


FIG.4

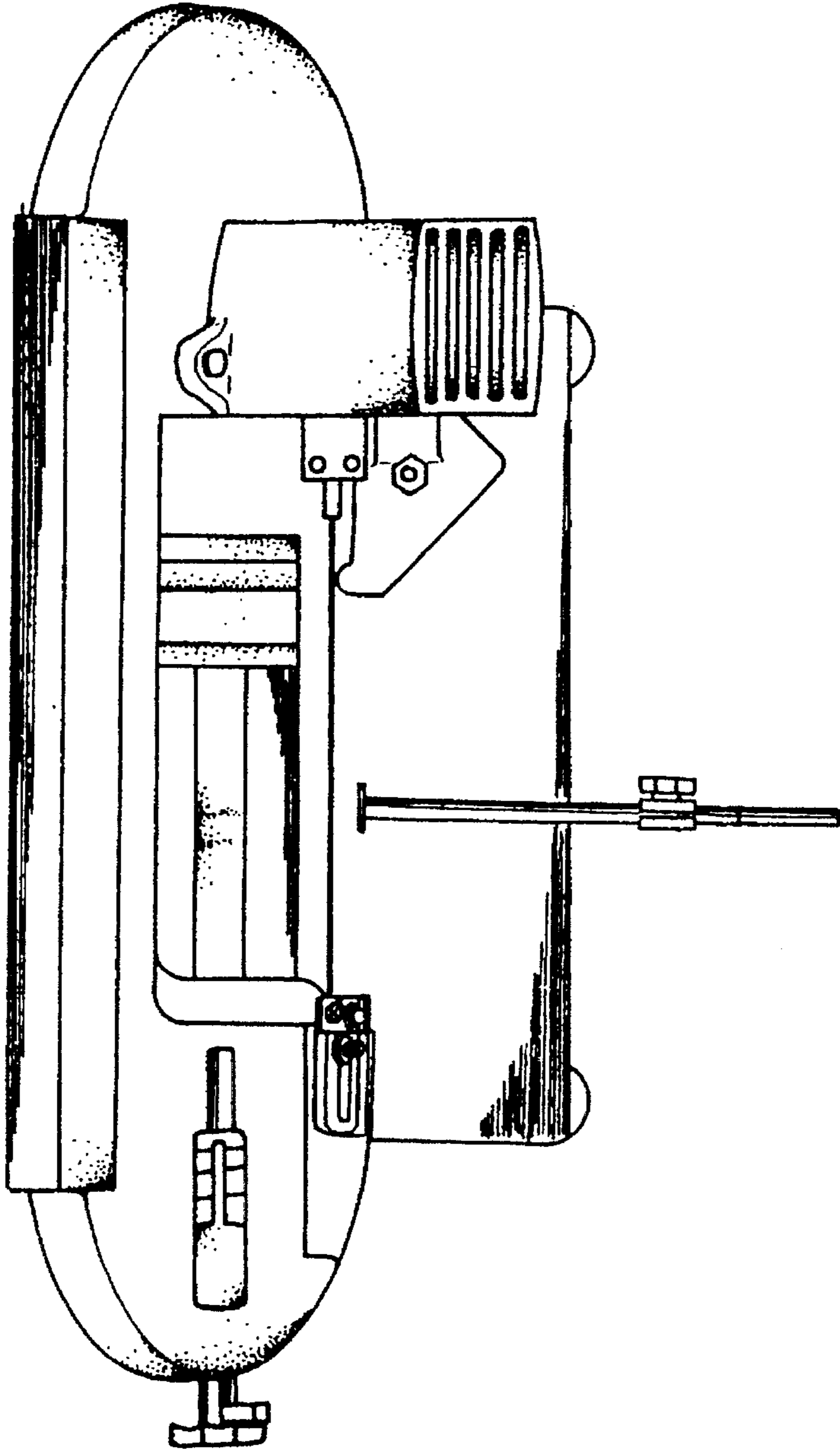


FIG.6

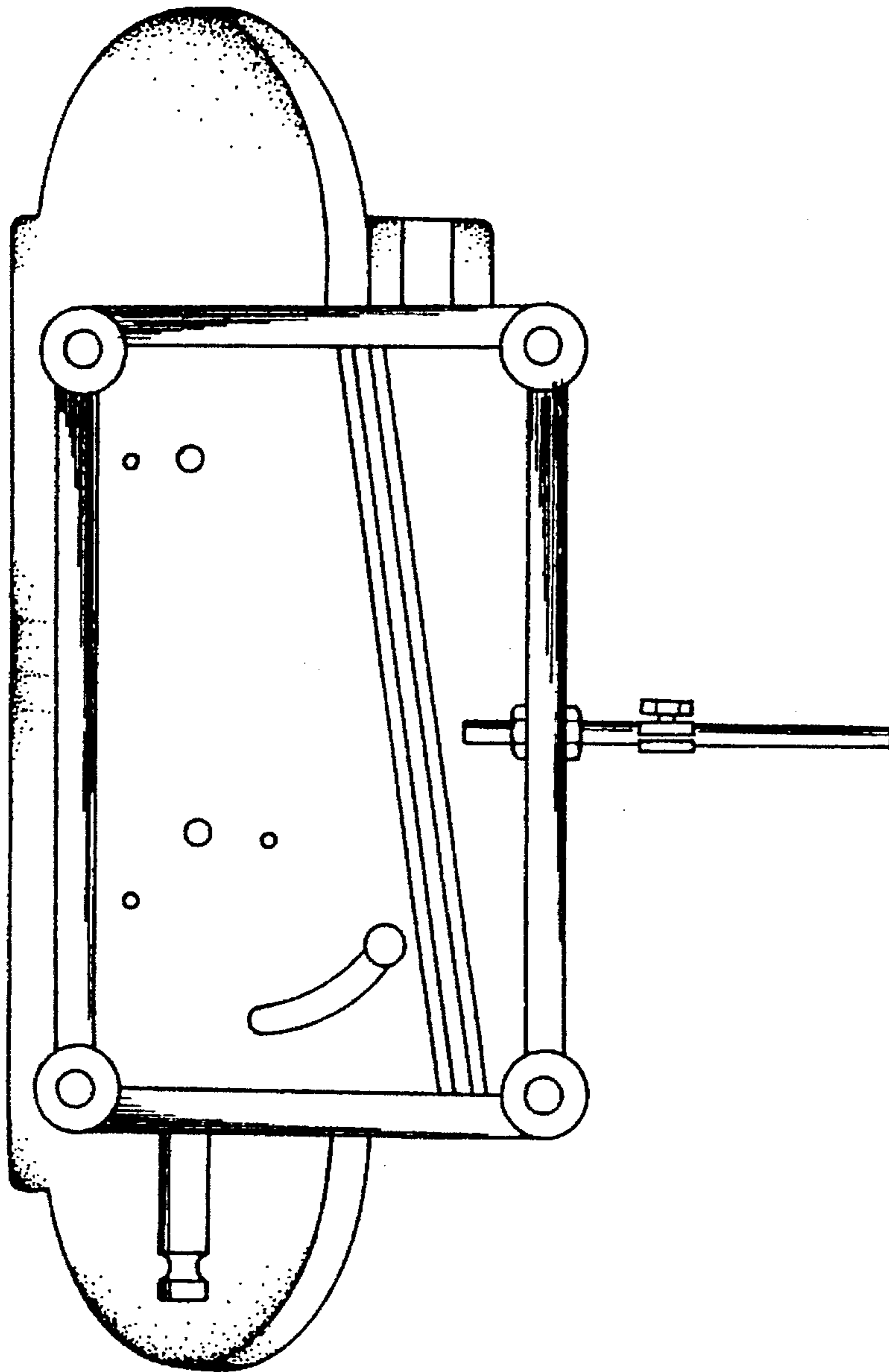


FIG.7