



US00D369607S

United States Patent [19]

[11] **Patent Number:** **Des. 369,607**

MacGilvary et al.

[45] **Date of Patent:** ****May 7, 1996**

[54] **PROTECTIVE COVER FOR COMMUNICATION DEVICE**

[76] Inventors: **Brian D. MacGilvary**, 34404 S. Wilhoit Rd., Mollala, Oreg. 97038;
" **Scott D. McQueeney**, 306 Jefferson, Oregon City, Oreg. 97045

[**] Term: **14 Years**

[21] Appl. No.: **34,809**

[22] Filed: **Feb. 13, 1995**

[52] U.S. Cl. **D14/250; D9/306**

[58] **Field of Search** D14/140, 240, D14/114, 250; D3/218, 303; D9/306, 305, 338, 345; 383/42, 60, 62, 71, 75, 95, 99, 907; 206/320, 484, 497, 466; 379/451, 452, 454, 455; D6/610; 455/128

[56] **References Cited**

U.S. PATENT DOCUMENTS

D. 280,863	10/1985	Leath	D3/218
D. 346,549	5/1994	Smith	D9/306
D. 355,302	2/1995	Eva et al.	D3/218 X
1,089,279	3/1914	Simer et al.	383/42
3,339,606	9/1967	Kugler	383/63
4,186,786	2/1980	Kirkpatrick	383/63
5,335,366	8/1994	Daniels	455/128 X
5,375,930	12/1994	Tani	383/907 X

FOREIGN PATENT DOCUMENTS

0484267A1 5/1992 European Pat. Off. 379/451

Primary Examiner—Jeffrey Asch

[57] **CLAIM**

The ornamental design for a protective cover for communication device, as shown and described.

DESCRIPTION

FIG. 1 is a perspective view of a protective cover for communication device showing our new design in an open condition;

FIG. 2 is a front elevational view, the rear being a mirror image thereof;

FIG. 3 is a left side view;

FIG. 4 is a right side view;

FIG. 5 is a top view;

FIG. 6 is a bottom view;

FIG. 7 is a perspective view of a second embodiment of that shown in FIG. 1 in an open condition;

FIG. 8 is a front view, the rear being a mirror image thereof;

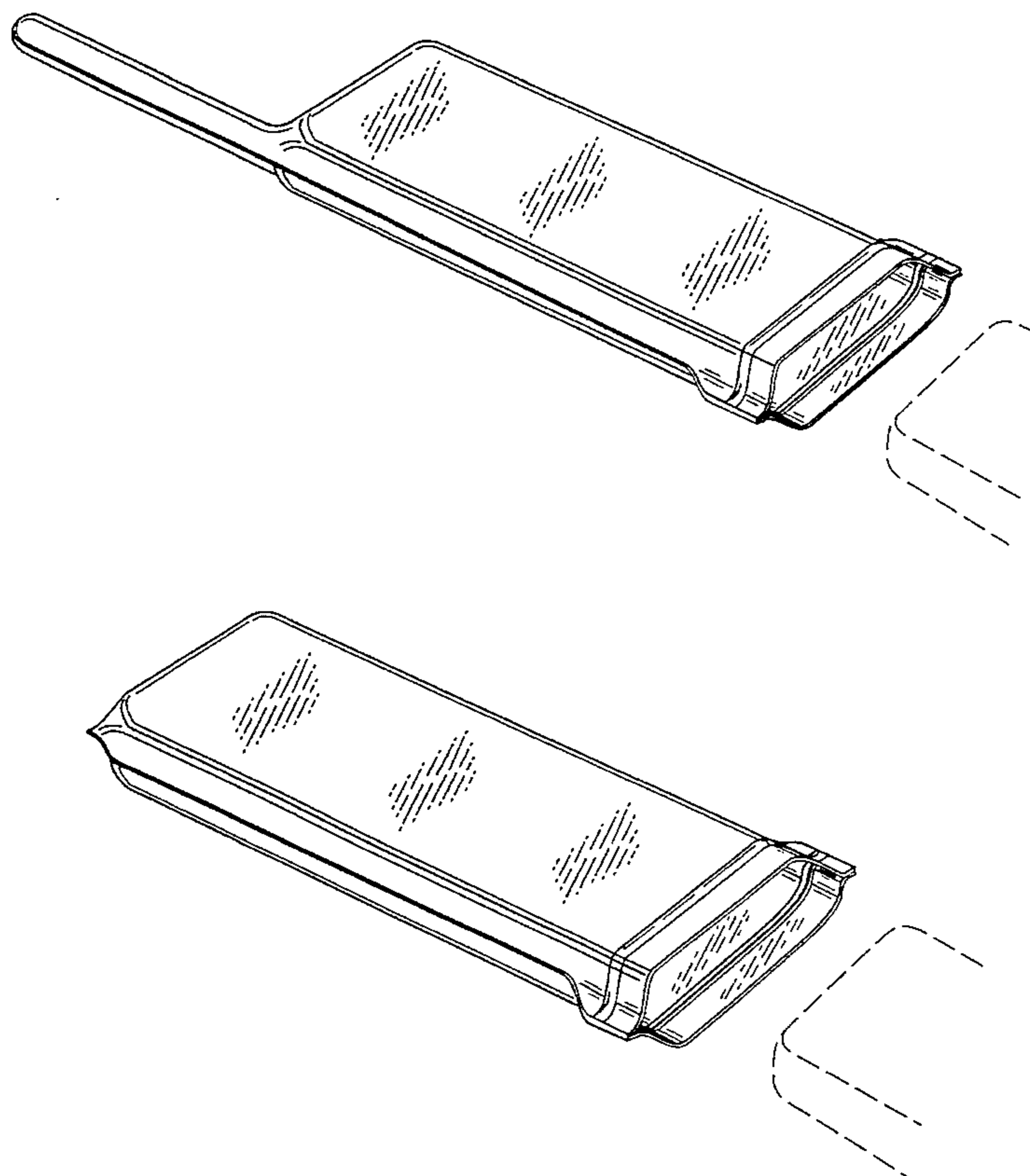
FIG. 9 is a left side view, the right side being a mirror image thereof;

FIG. 10 is a top view; and,

FIG. 11 is a bottom view thereof.

The broken line showing of a communication device in FIGS. 1 and 7 is for illustrative purposes only and forms no part of the claimed design.

1 Claim, 2 Drawing Sheets



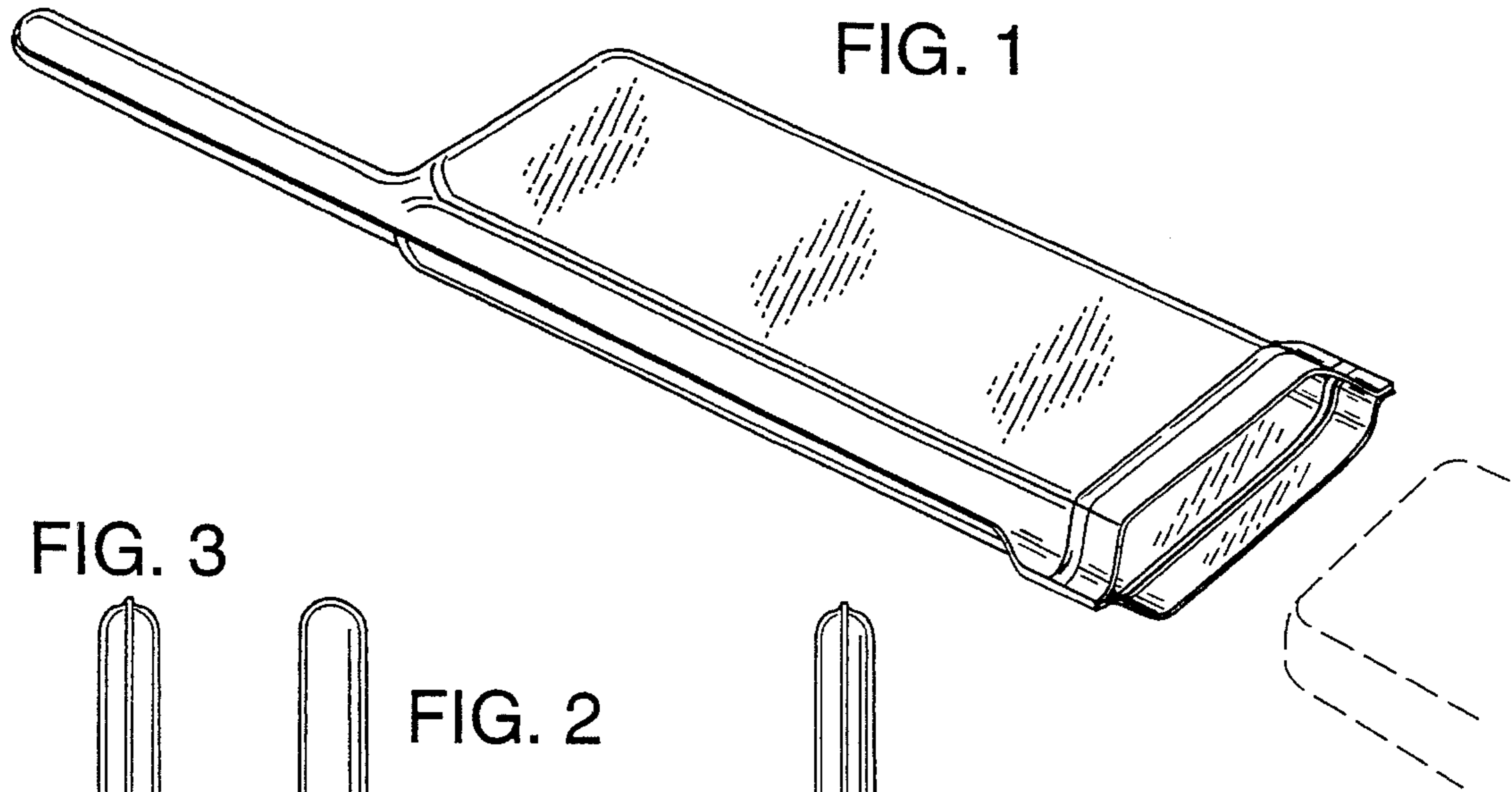


FIG. 3

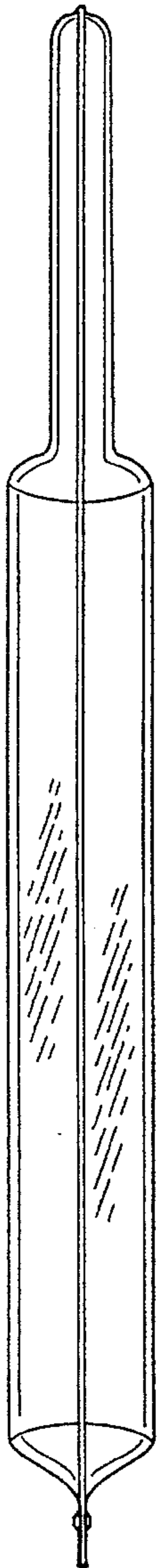


FIG. 2

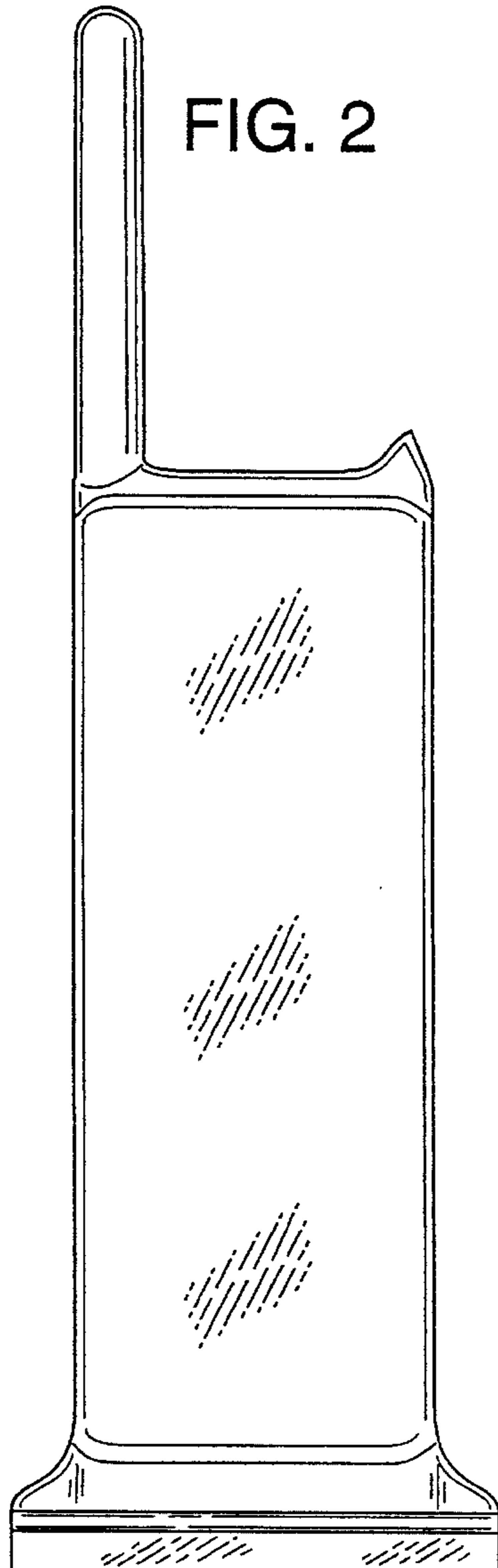


FIG. 4

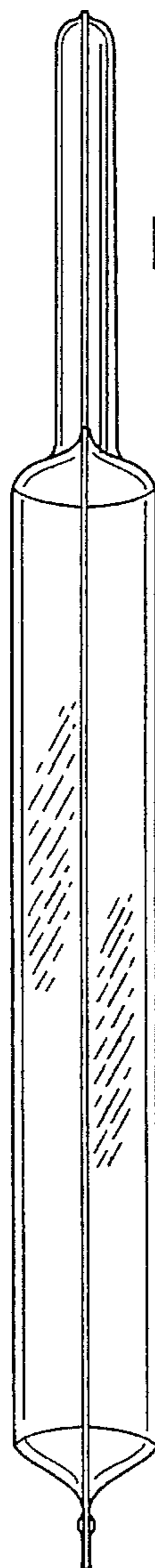


FIG. 5

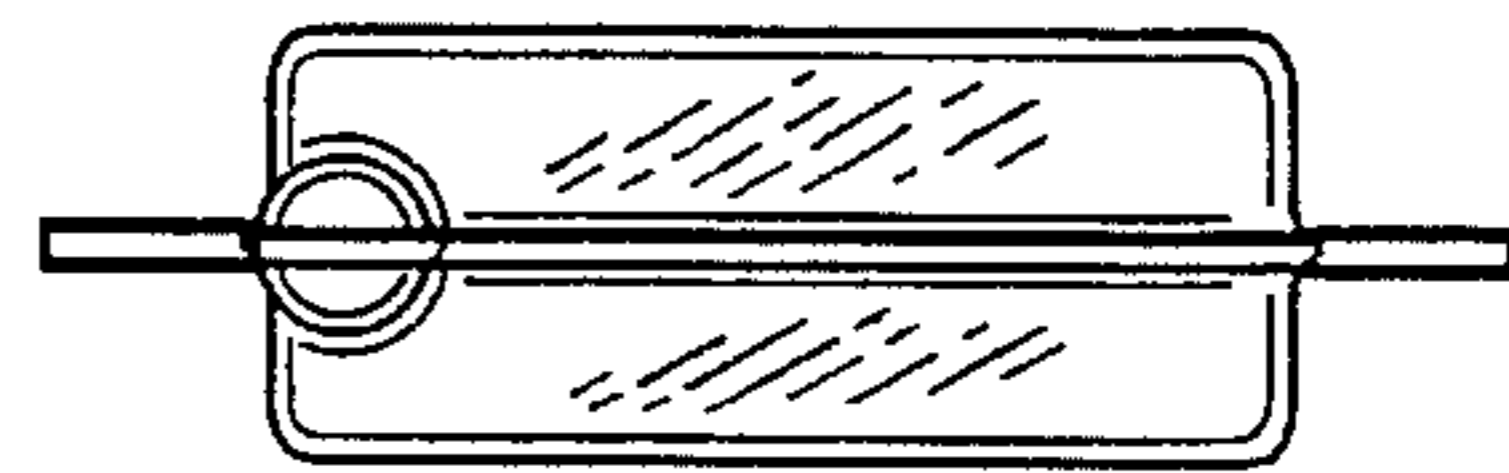


FIG. 6

