



US00D369606S

United States Patent [19] Marks

[11] **Patent Number: Des. 369,606**

[45] **Date of Patent: **May 7, 1996**

[54] **COMBINED TV REMOTE WITH STORAGE AND RECHARGE RECEPTACLE**

Primary Examiner—Sandra L. Morris
Attorney, Agent, or Firm—Thomas A. Kahrl

[76] Inventor: **Andrew Marks**, 3 Judy Ann La., East Falmouth, Mass. 02536

[57] **CLAIM**

[**] Term: **14 Years**

The ornamental design for combined TV remote with storage and recharge receptacle, as shown and described.

[21] Appl. No.: **31,428**

DESCRIPTION

[22] Filed: **Nov. 28, 1994**

[52] U.S. Cl. **D14/218**

[58] Field of Search D10/104, 106;
D13/168; D14/124, 217, 218, 299; 348/734;
456/151.1-151.4, 352-355

FIG. 1 is a perspective view of a combined TV remote with storage and recharge receptacle, showing my new design, showing broken away for ease of illustration;

FIG. 2 is a reduced perspective view thereof, showing the design in use, the broken line showing of the TV console is for illustrative purposes only, and forms no part of the claimed design;

FIG. 3 is a top plan view thereof;

FIG. 4 is a rear elevational view thereof;

FIG. 5 is a right side elevational view thereof, the left side being a mirror image thereof;

FIG. 6 is front elevational view thereof;

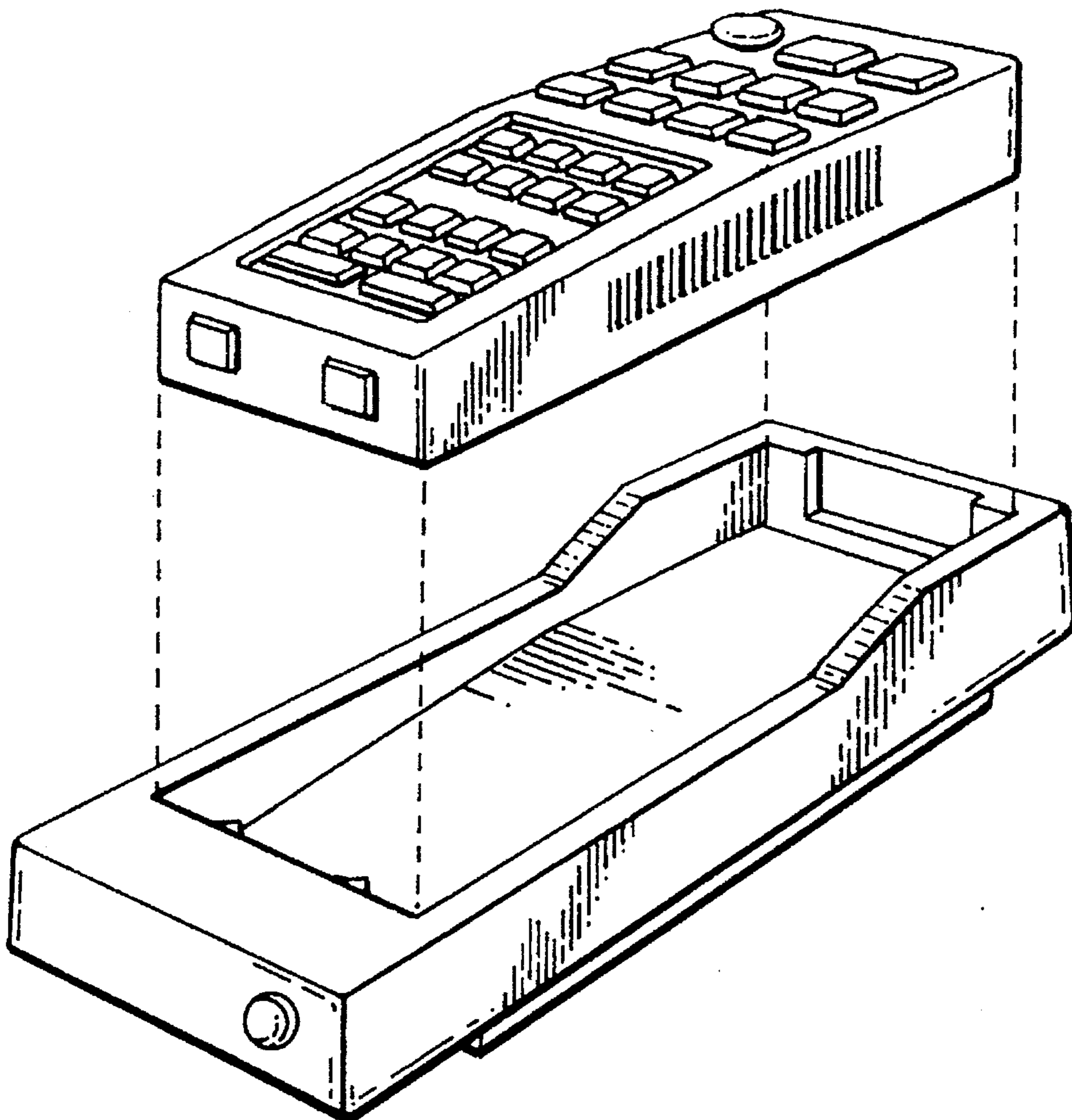
FIG. 7 is a bottom plan view thereof;

[56] References Cited

U.S. PATENT DOCUMENTS

D. 266,416	10/1982	Hiraki	D14/218
D. 338,202	8/1993	Yuen et al.	D14/218
D. 338,673	8/1993	Lewis	D14/218
D. 359,737	6/1995	Madill et al.	D14/218
4,709,412	11/1987	Seymour et al.	455/151.4
4,856,081	8/1989	Smith	455/151.4
5,414,426	5/1995	O'Donnell et al.	348/734

1 Claim, 2 Drawing Sheets



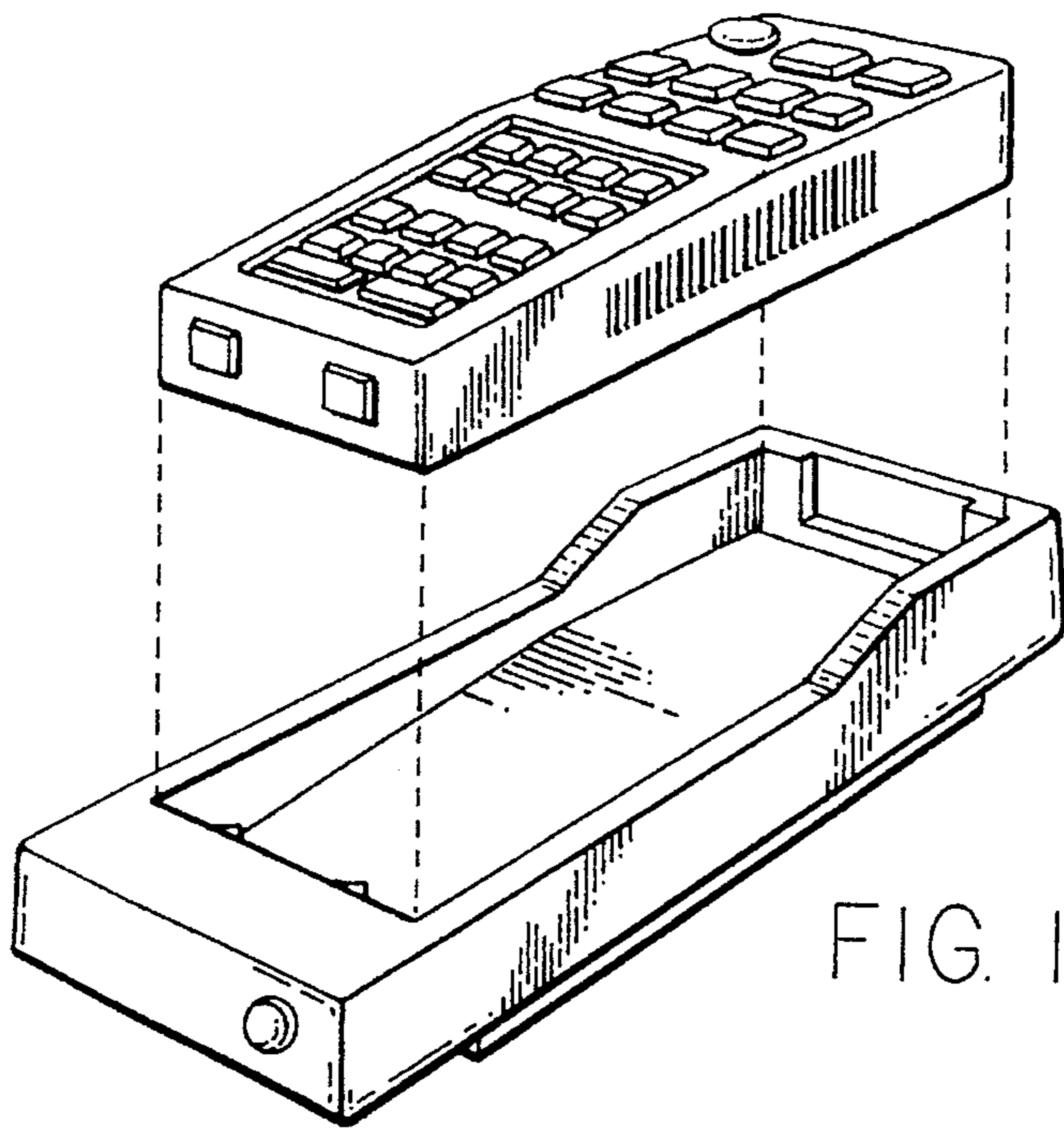


FIG. 1

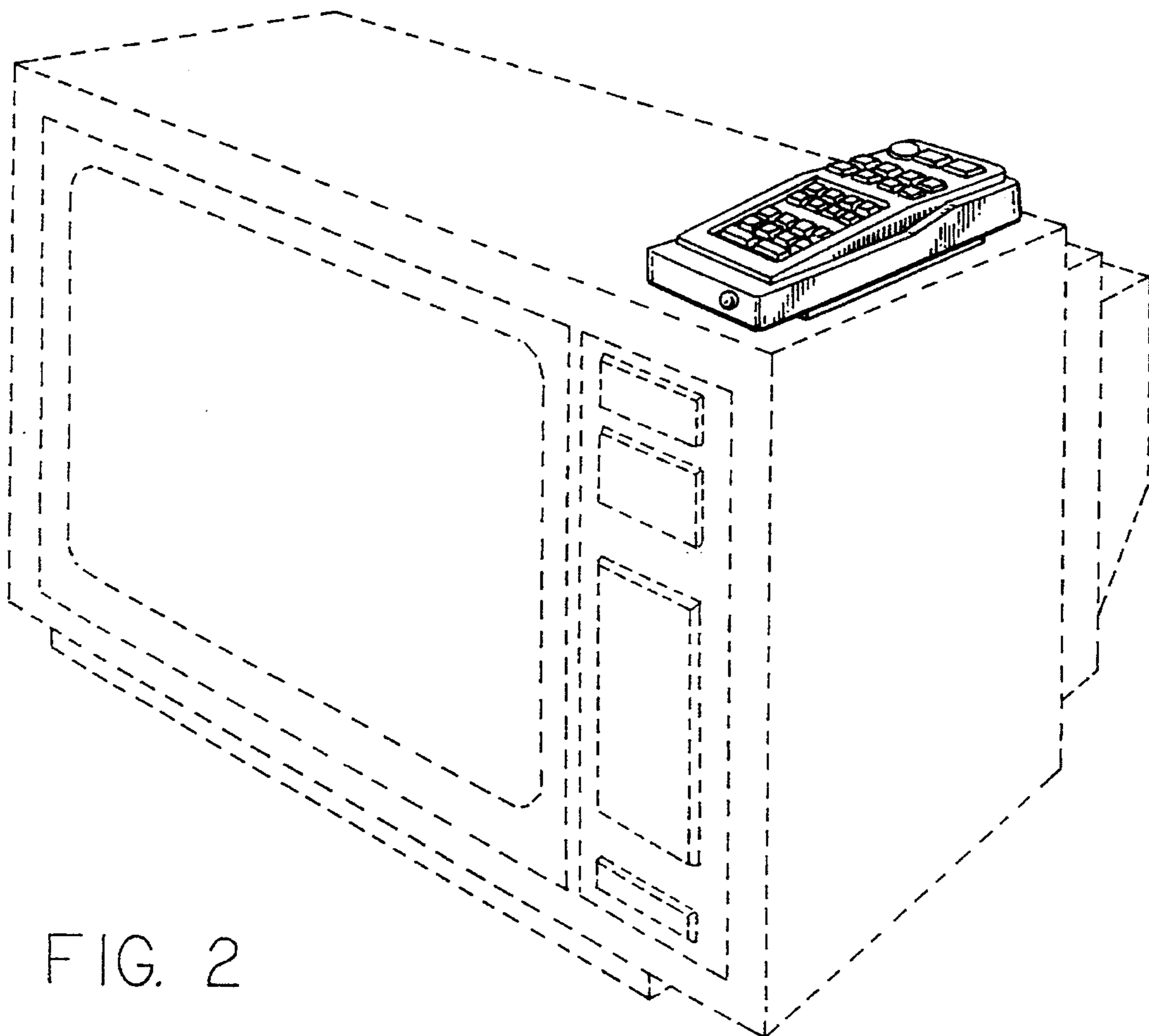


FIG. 2

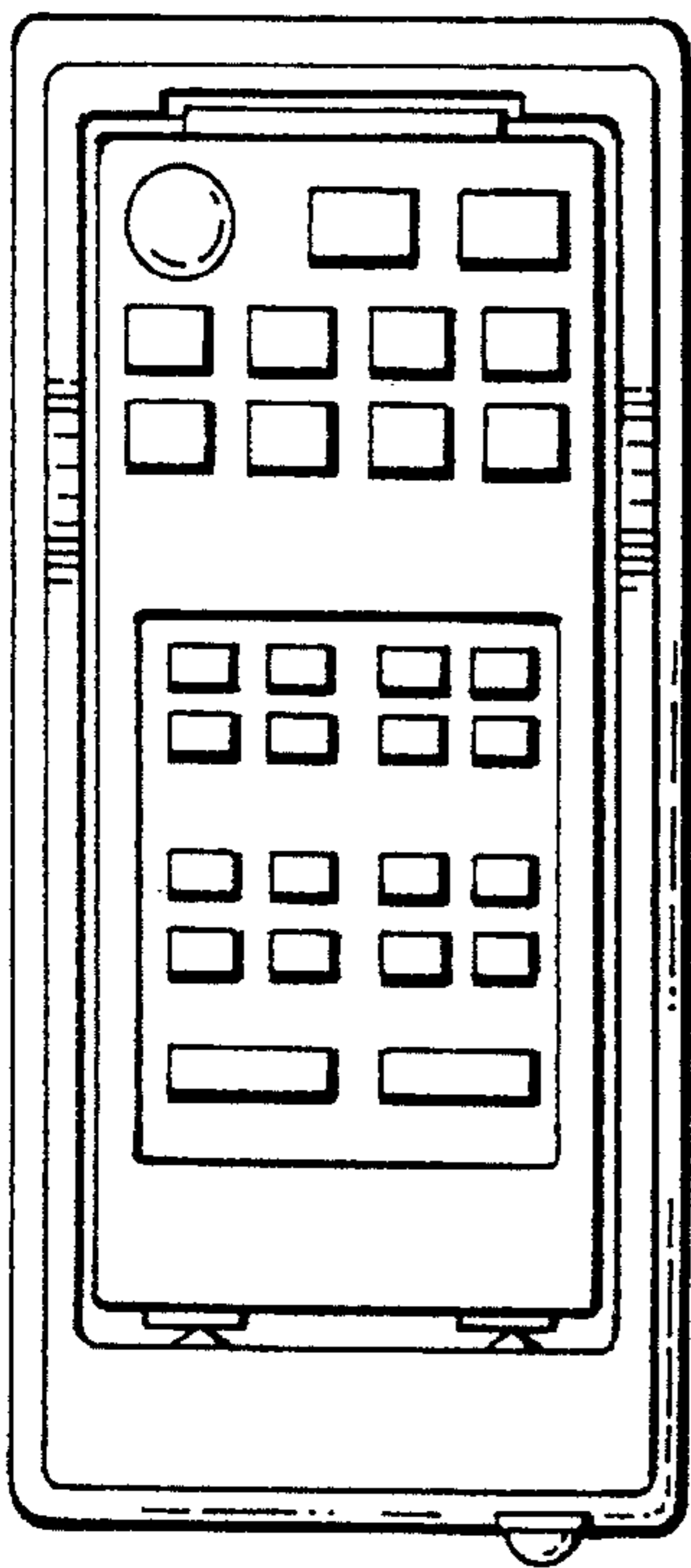


FIG. 3

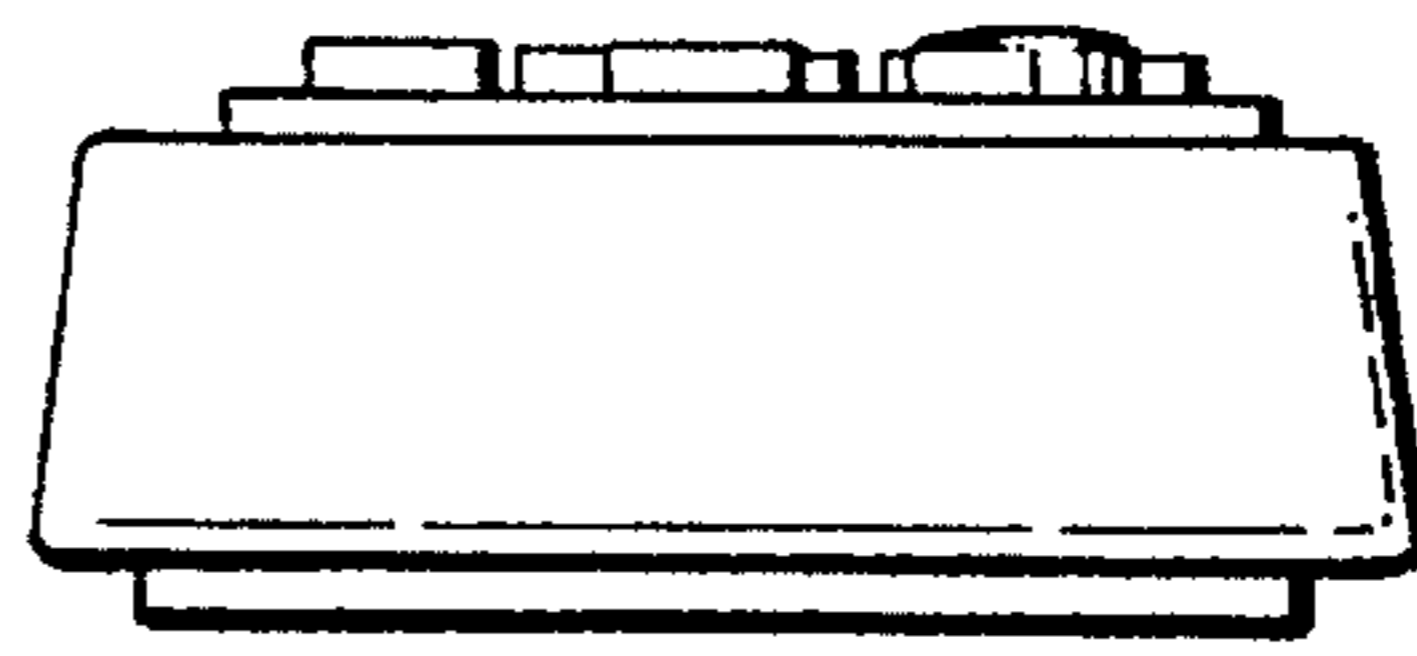


FIG. 4

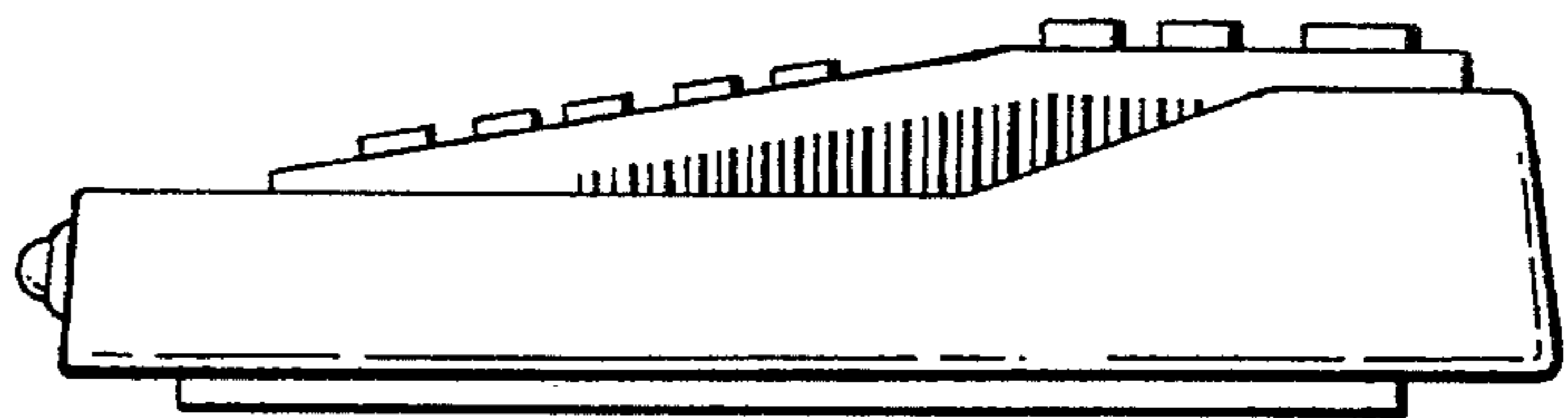


FIG. 5

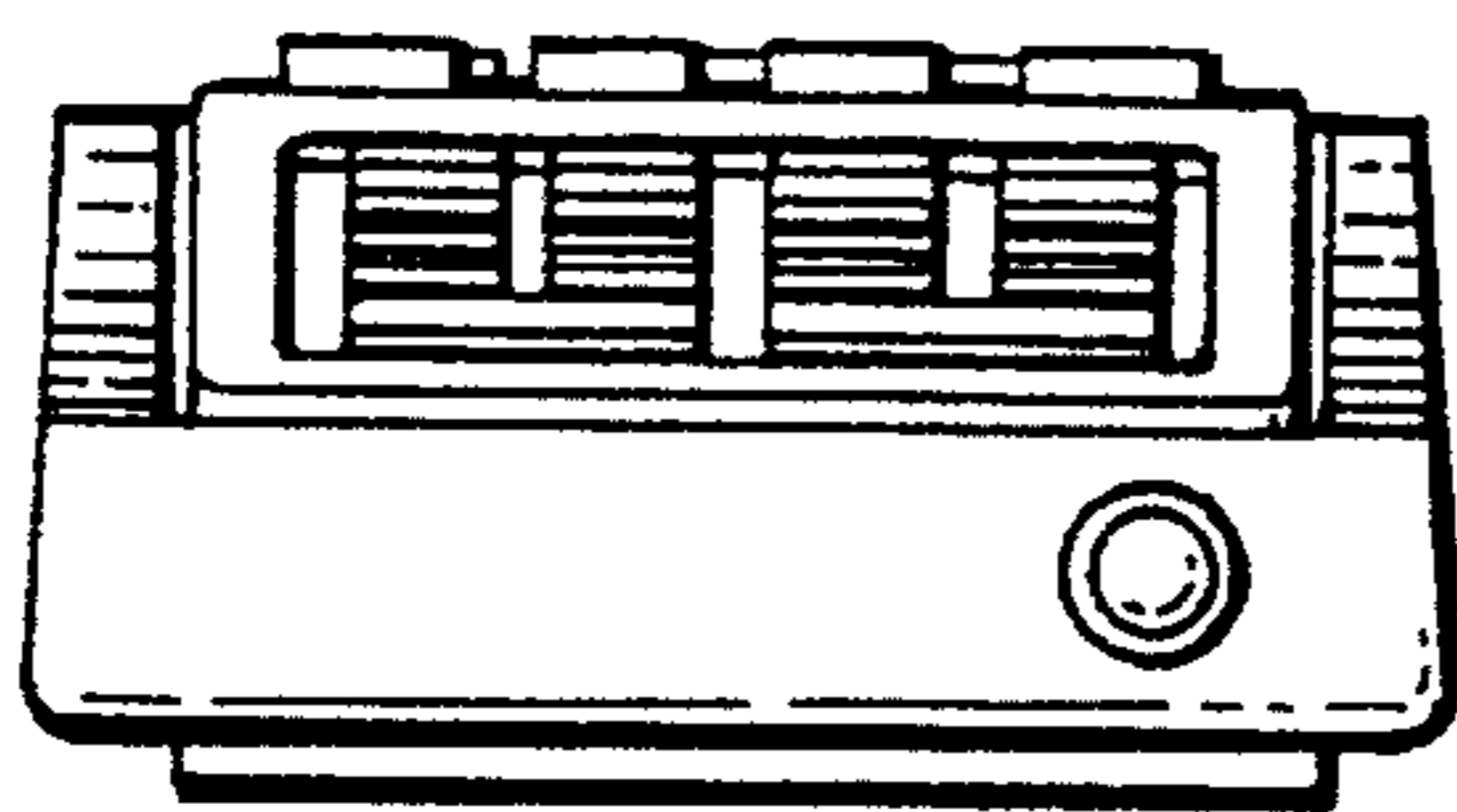


FIG. 6

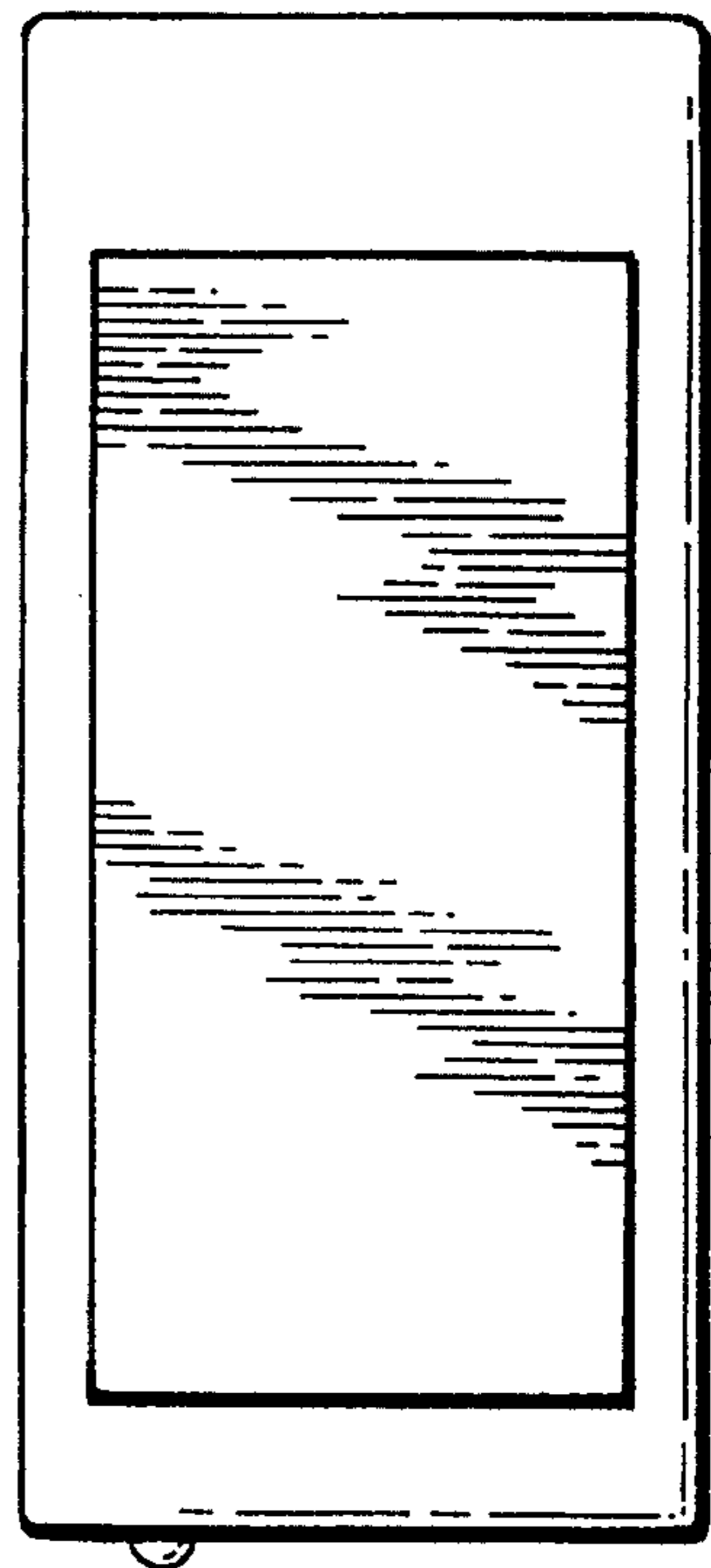


FIG. 7