



US00D369604S

United States Patent [19] Morimiya

[11] **Patent Number:** **Des. 369,604**
[45] **Date of Patent:** ****May 7, 1996**

[54] **HEADPHONE**

[75] Inventor: **Yuji Morimiya**, Tokyo, Japan

[73] Assignee: **Sony Corporation**, Japan

[**] Term: **14 Years**

[21] Appl. No.: **30,140**

[22] Filed: **Nov. 4, 1994**

[30] **Foreign Application Priority Data**

May 7, 1994 [JP] Japan 6-12897

[52] **U.S. Cl.** **D14/205**

[58] **Field of Search** D14/205, 206,
D14/223, 224; 181/129, 130; 379/430,
431, 444; 381/25, 68.6, 69, 159, 183, 187

[56] **References Cited**

U.S. PATENT DOCUMENTS

| | | | | |
|------------|---------|---------------|-------|-----------|
| D. 204,886 | 5/1966 | Kliewer | | D14/205 |
| D. 222,361 | 10/1971 | Hart | | D14/205 |
| D. 255,352 | 6/1980 | Besasio | | D14/205 |
| 4,993,074 | 2/1991 | Carroll | | 181/129 X |
| 5,138,722 | 8/1992 | Urella et al. | | D14/206 X |

OTHER PUBLICATIONS

Stereo Review Aug. 1990,p. 63, 'Stanton's lightweight ST-1 circumaural pnhones' Headphone.
Stereo Review Oct. 1993, JVC HA-W75 Cordless Head-
phone.

Primary Examiner—Prabhakar G. Deshmukh
Assistant Examiner—Nanda Bondade
Attorney, Agent, or Firm—Beveridge, DeGrandi, Weilacher
& Young

[57] **CLAIM**

The ornamental design for a headphone, as shown and described.

DESCRIPTION

FIG. 1 is a perspective view of a headphone showing my new design;

FIG. 2 is a front elevational view thereof;

FIG. 3 is a rear elevational view thereof;

FIG. 4 is a top plan view thereof;

FIG. 5 is a bottom plan view thereof;

FIG. 6 is a left side elevational view thereof;

FIG. 7 is a right side elevational view thereof;

FIG. 8 is a perspective view of an alternate embodiment of FIG. 1;

FIG. 9 is a top plan view of FIG. 8;

FIG. 10 is a left side elevational view of FIG. 8; and,

FIG. 11 is a right side elevational view of FIG. 8.

The undisclosed rear and bottom views of the alternate embodiment are the same as FIGS. 3 and 5 respectively.

1 Claim, 4 Drawing Sheets

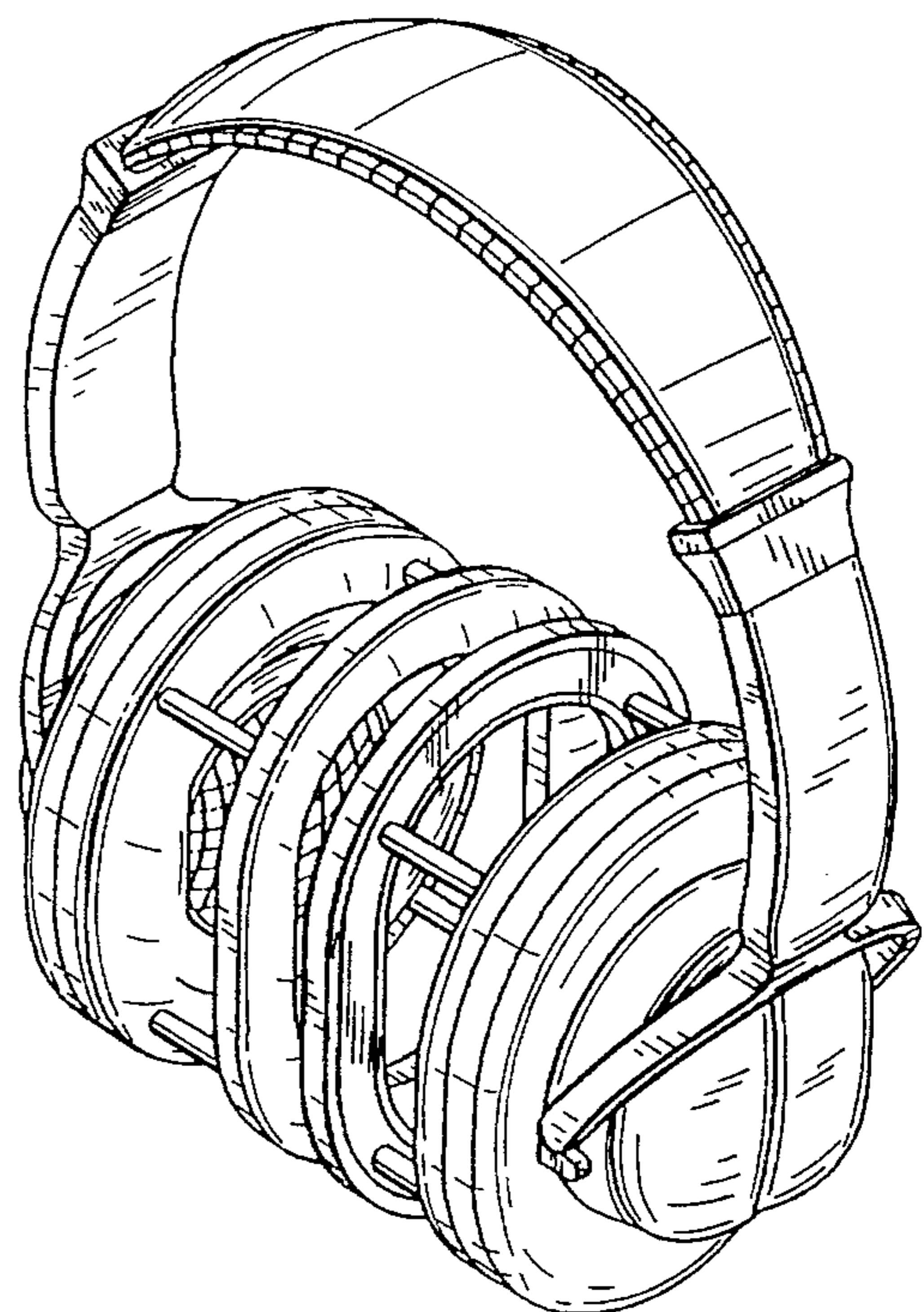
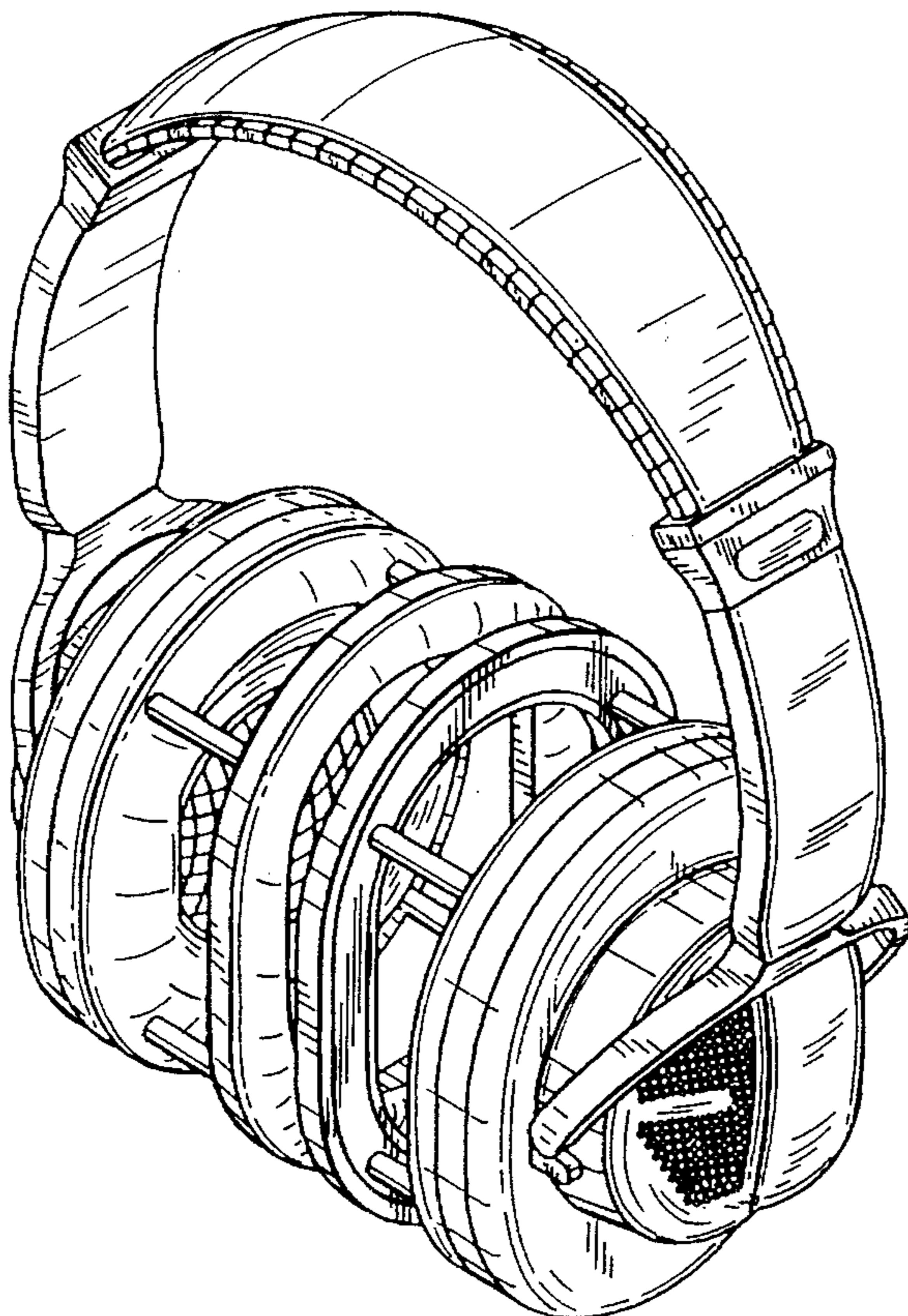


FIG. 1

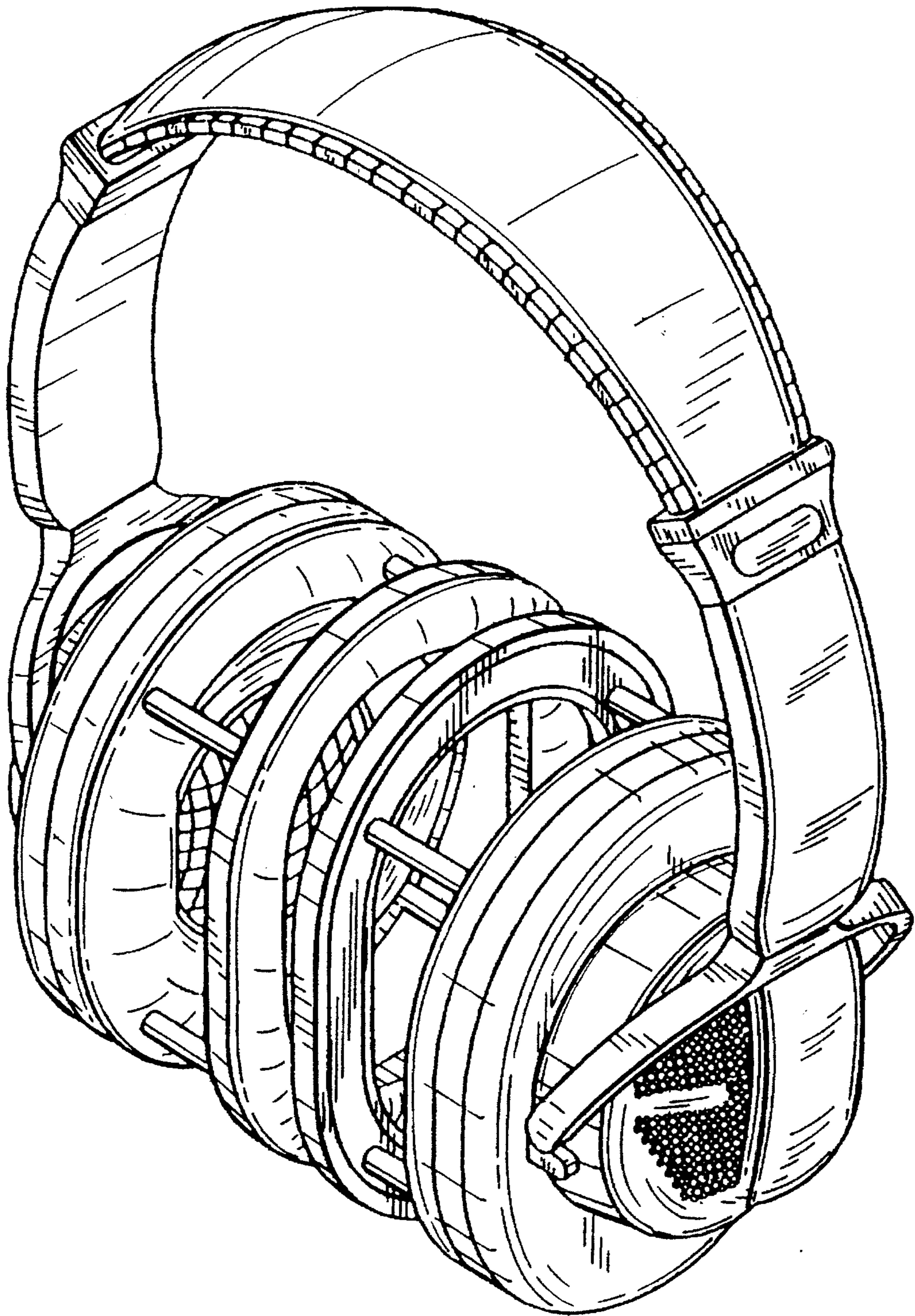


FIG. 2

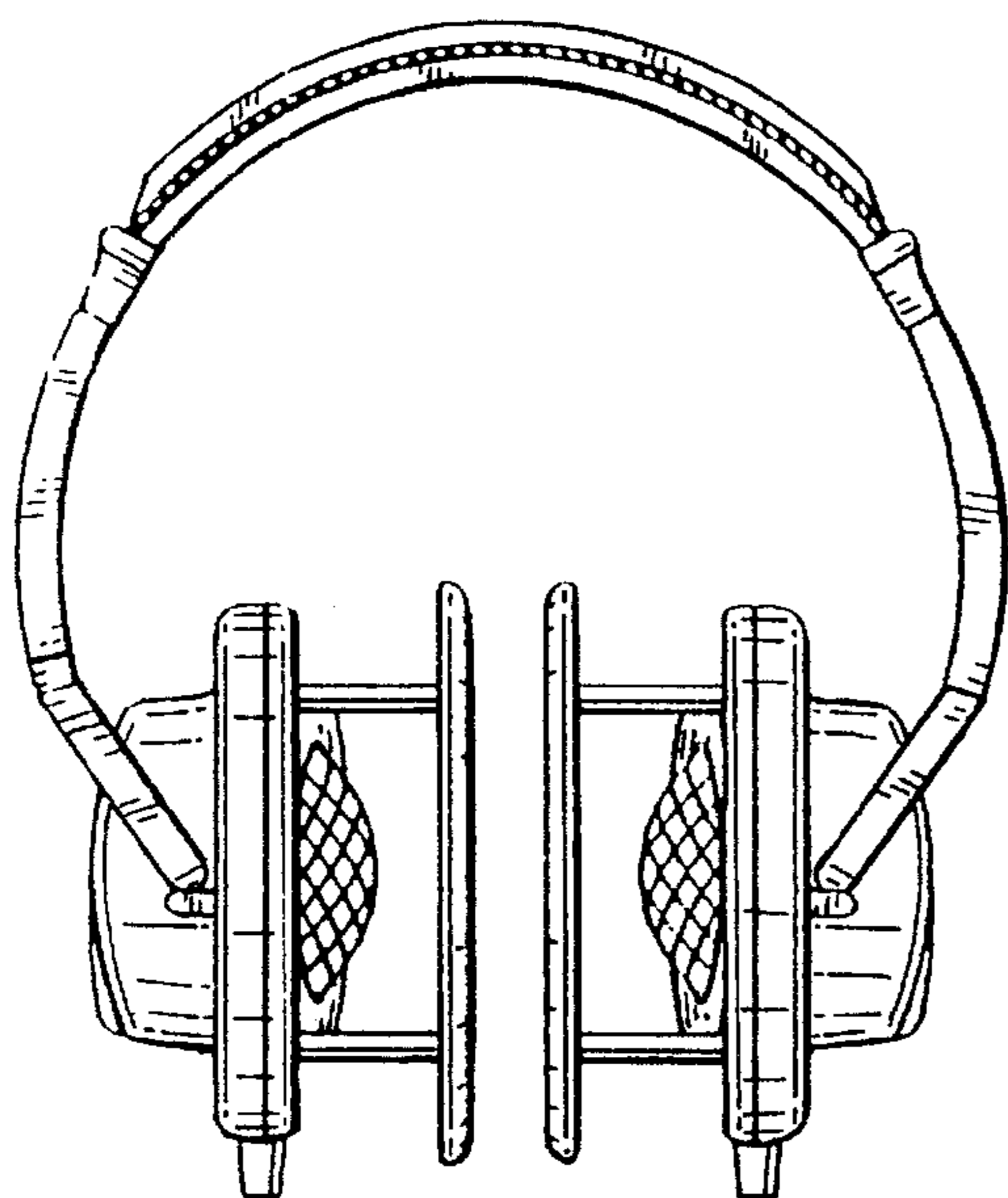


FIG. 3

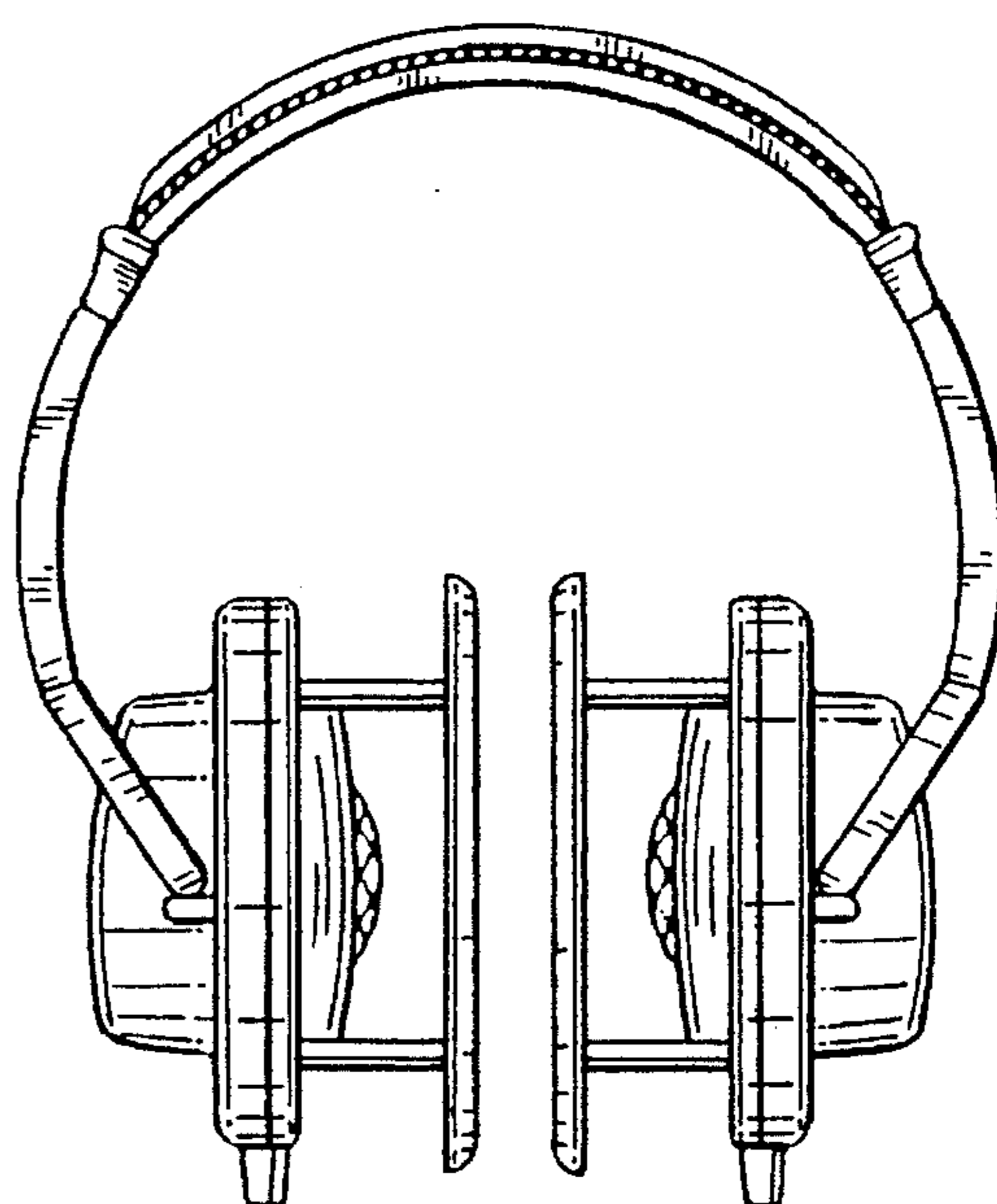


FIG. 4

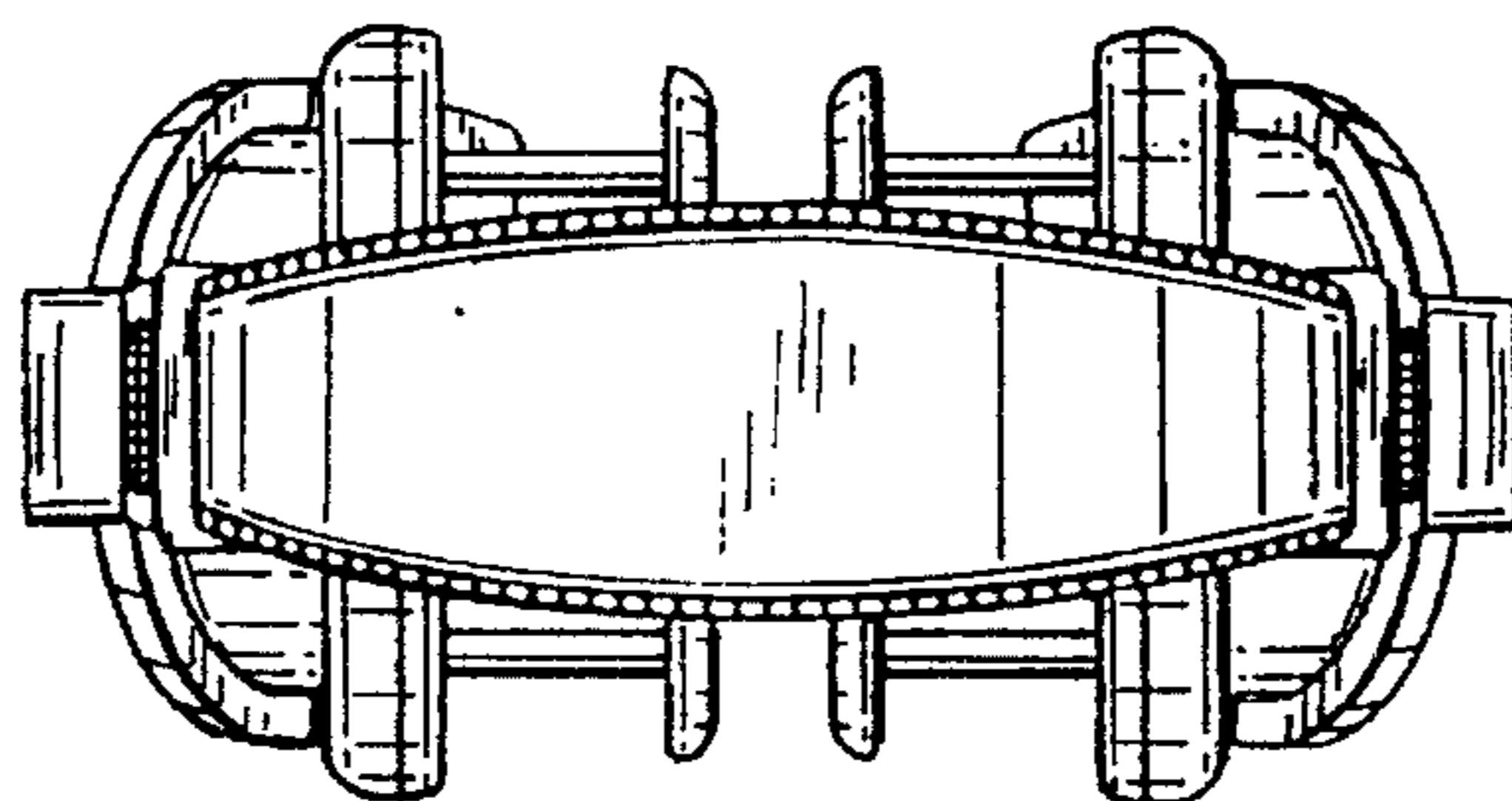


FIG. 5

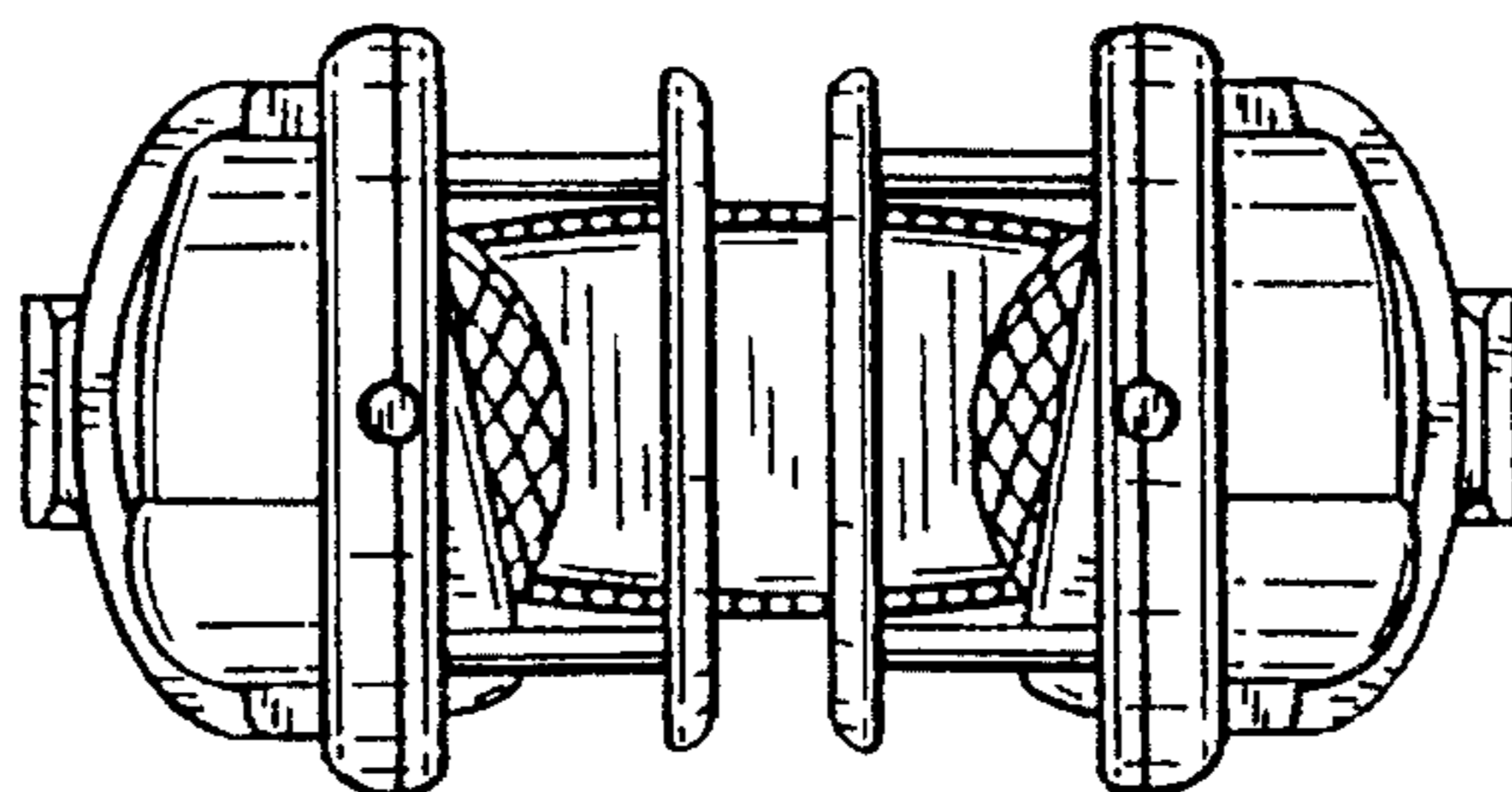


FIG. 6

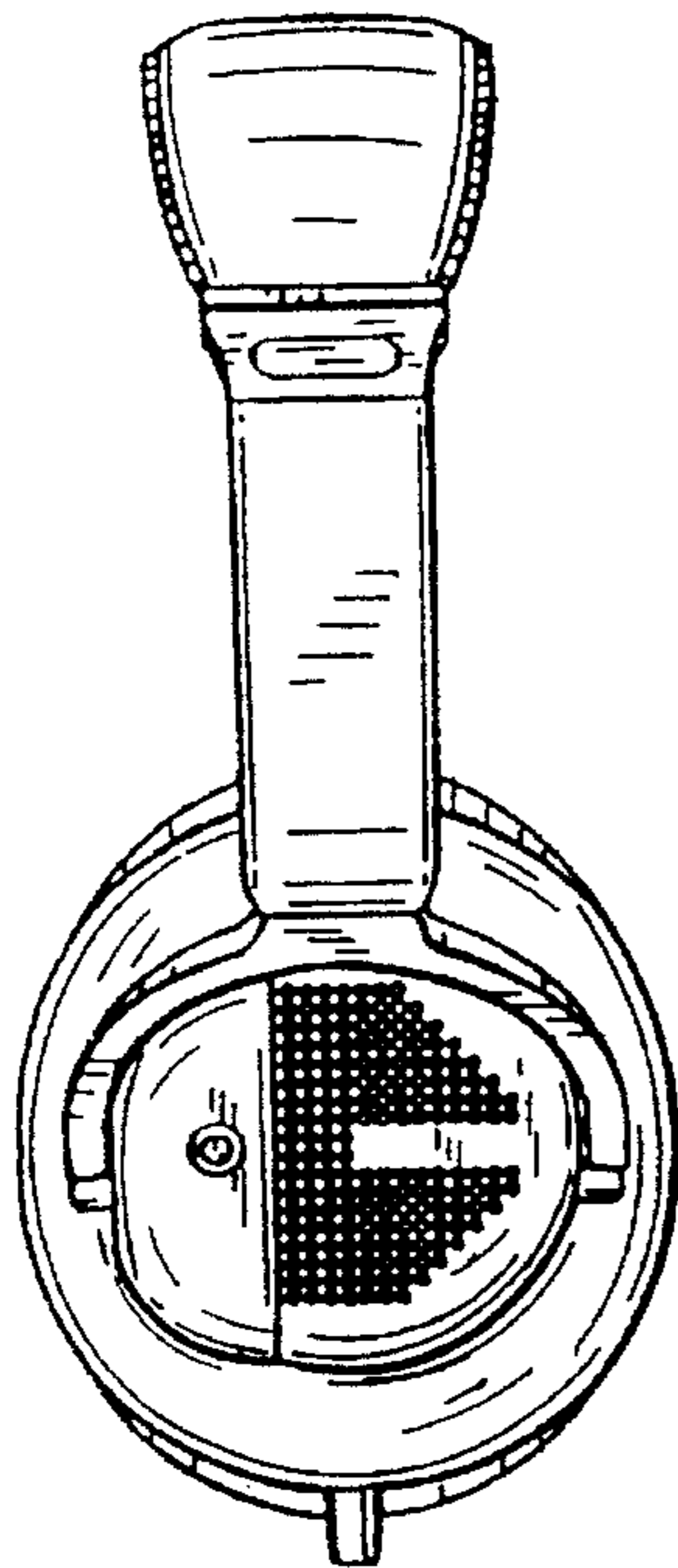


FIG. 7

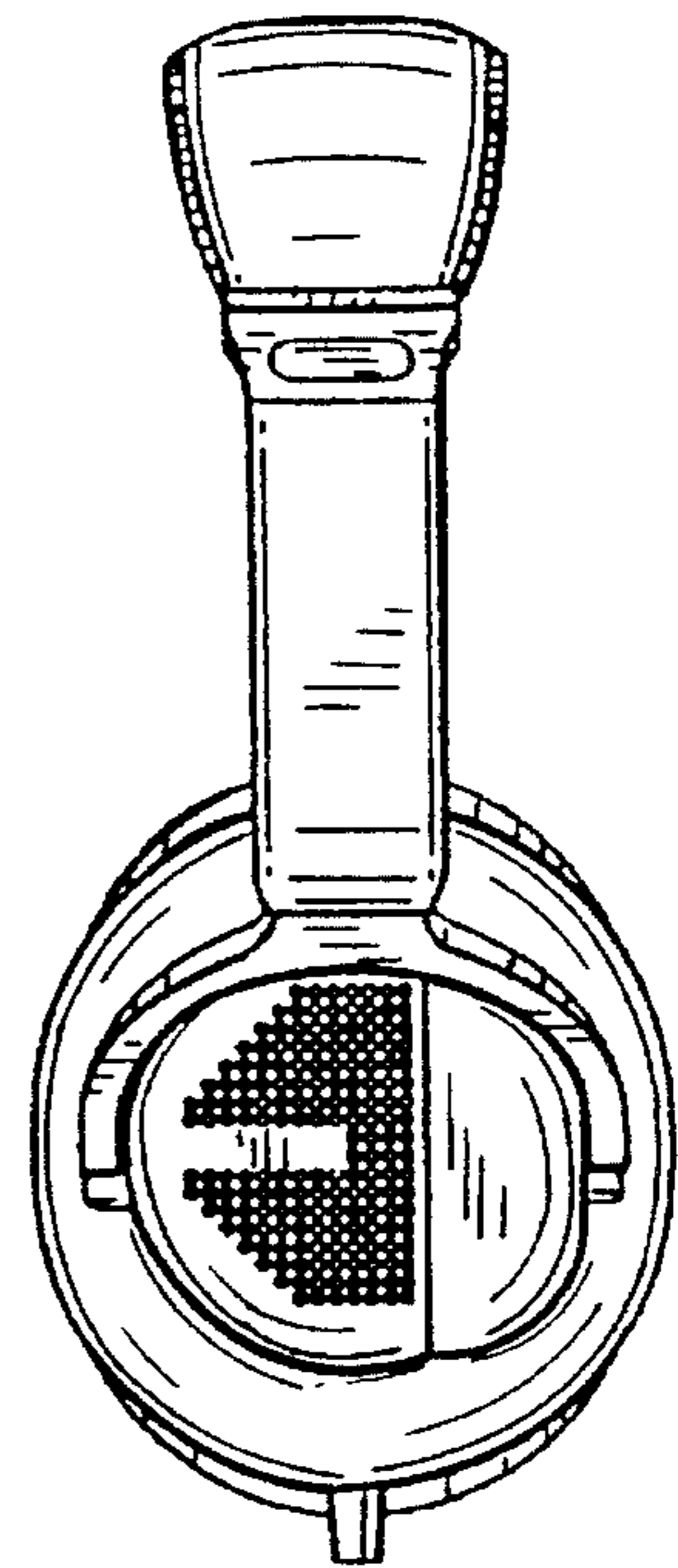


FIG. 8

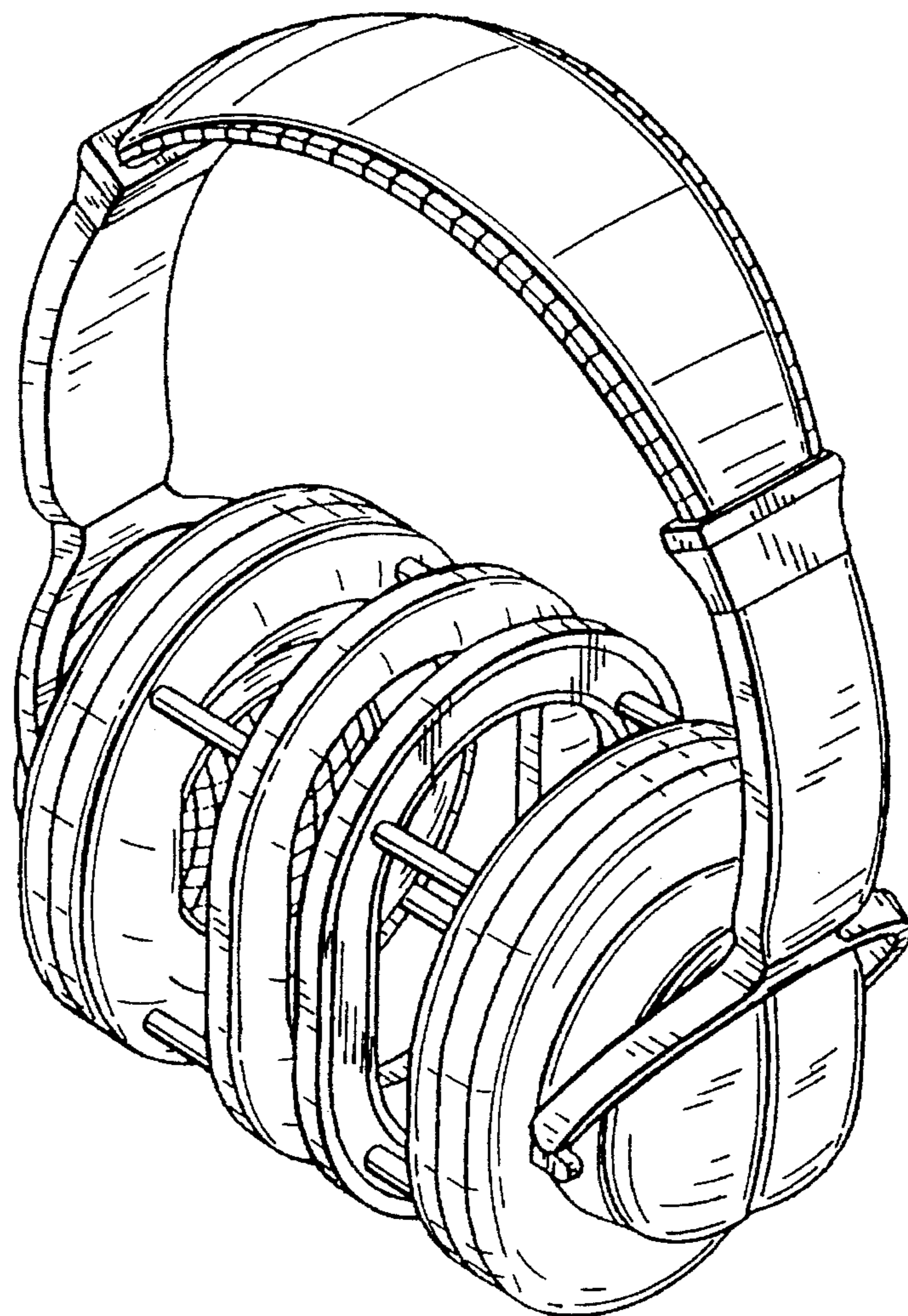


FIG. 9

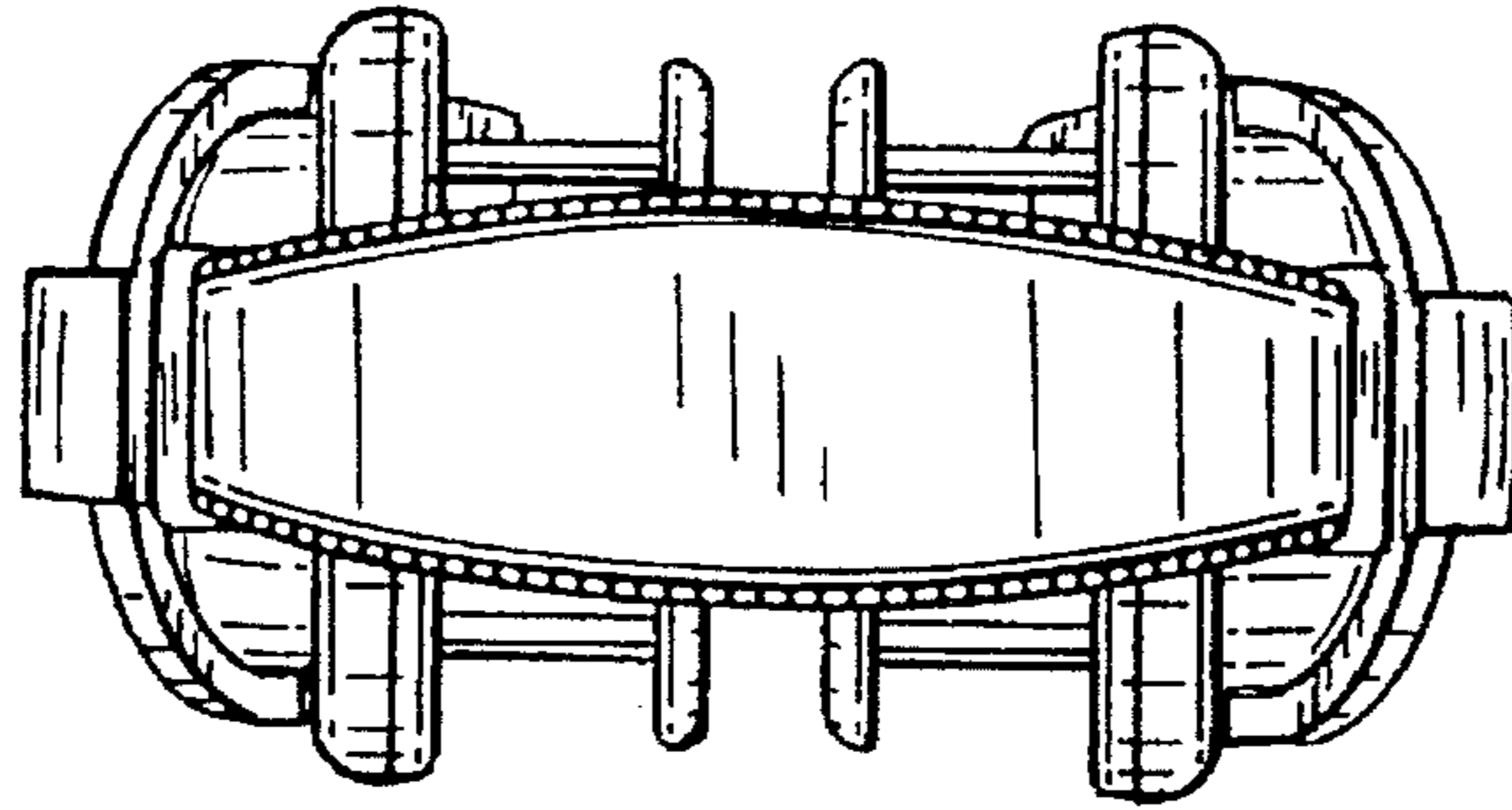


FIG. 10

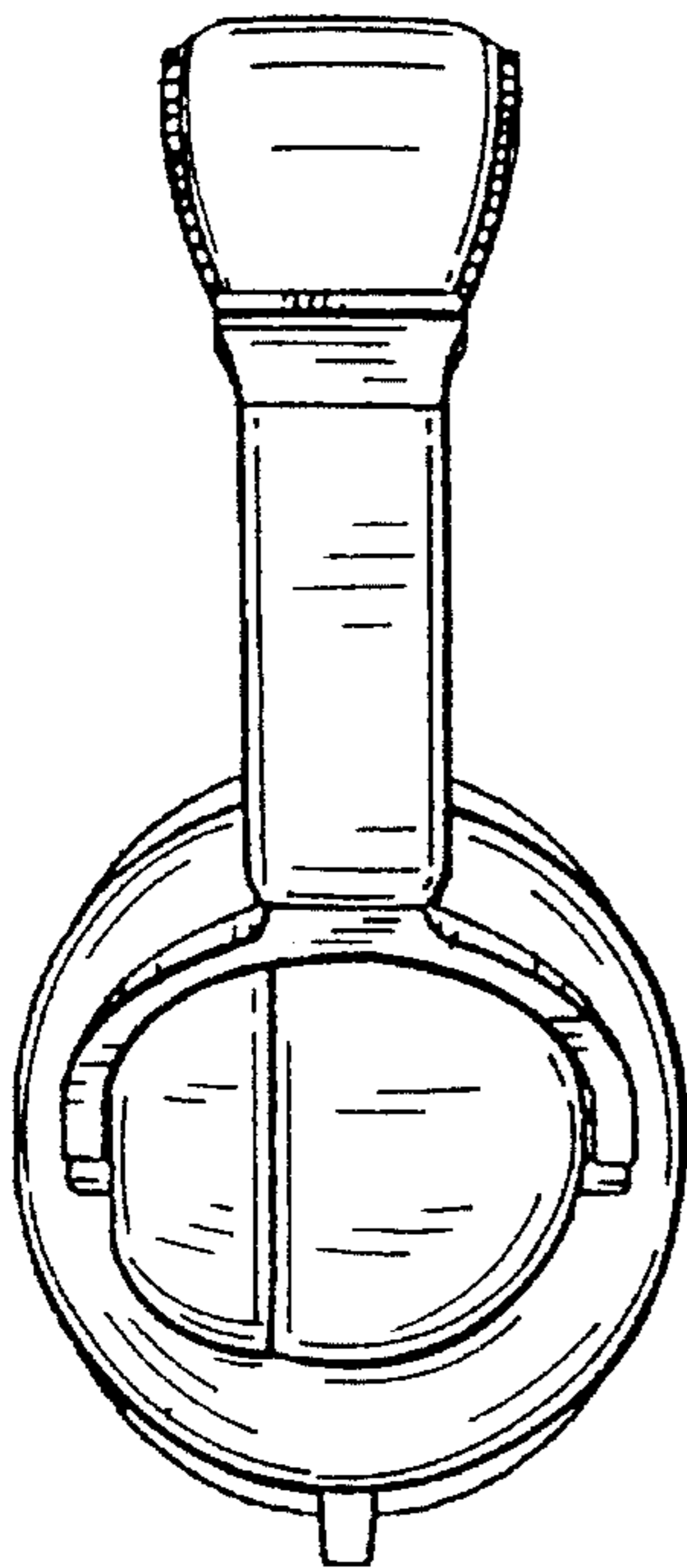


FIG. 11

