



US00D369603S

United States Patent [19]

[11] Patent Number: Des. 369,603

Segan et al.

[45] Date of Patent: **May 7, 1996

[54] AM/FM DIGITAL CLOCK RADIO

OTHER PUBLICATIONS

[75] Inventors: **Marc H. Segan**, New York, N.Y.; **Vint Gonser**, Essex, Mass.; **Gary Strauss**, Mamaroneck, N.Y.; **Jerry Cummings**, Marlton, N.J.

Hong Kong Enterprise Jun. 1993, p. 595 GA-8015 Sing-Along AM/FM Radio Cassette Recorder.

[73] Assignee: **Long Hall Technologies**, New York, N.Y.

Primary Examiner—Ted Shooman
Assistant Examiner—Nanda Bondade
Attorney, Agent, or Firm—Cohen, Pontani, Lieberman, Pavane

[**] Term: **14 Years**

[57] CLAIM

[21] Appl. No.: **37,195**

The ornamental design for an AM/FM digital clock radio, as shown and described.

[22] Filed: **Apr. 6, 1995**

DESCRIPTION

[52] U.S. Cl. **D14/171**; D14/194; D14/196; D10/2; D21/113; D21/144

FIG. 1 is a perspective view of an AM/FM digital clock radio showing our new design;

[58] **Field of Search** D10/1, 2, 15; D14/160-172, D14/188, 192-198, 265, 299; D21/111-113, 144; 455/344, 347, 350, 351

FIG. 2 is a front elevational view thereof;

FIG. 3 is a top plan view thereof;

FIG. 4 is a bottom plan view thereof;

FIG. 5 is a side elevational view thereof as seen from the left side in FIG. 2;

FIG. 6 is a side elevational view thereof as seen from the right side in FIG. 2; and,

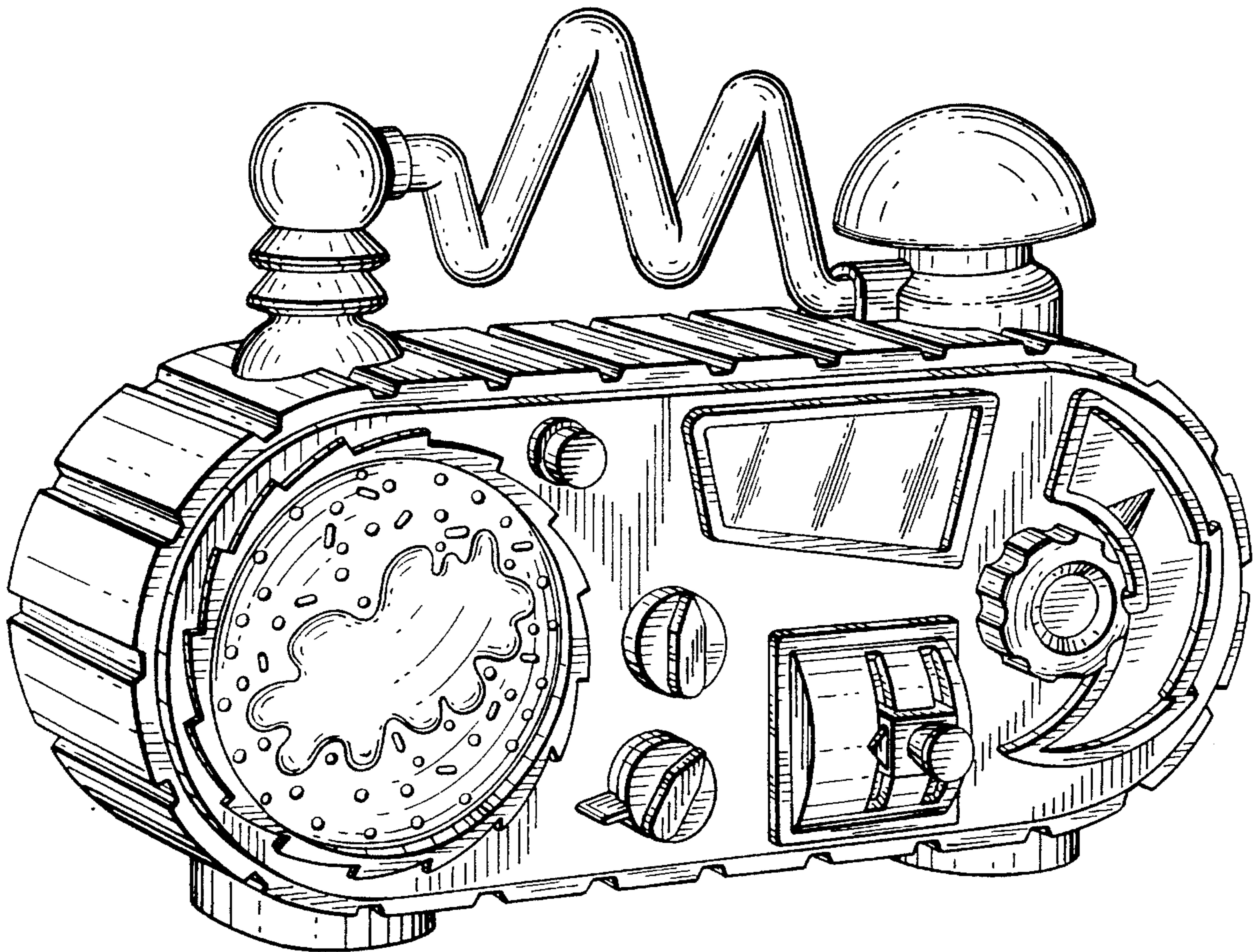
FIG. 7 is a rear elevational view thereof thereof.

[56] References Cited

U.S. PATENT DOCUMENTS

D. 245,198	7/1977	Terada et al.	D10/2 X
D. 287,521	12/1986	Obara	D14/163 X
D. 348,461	7/1994	Peersmann	D14/197 X

1 Claim, 5 Drawing Sheets



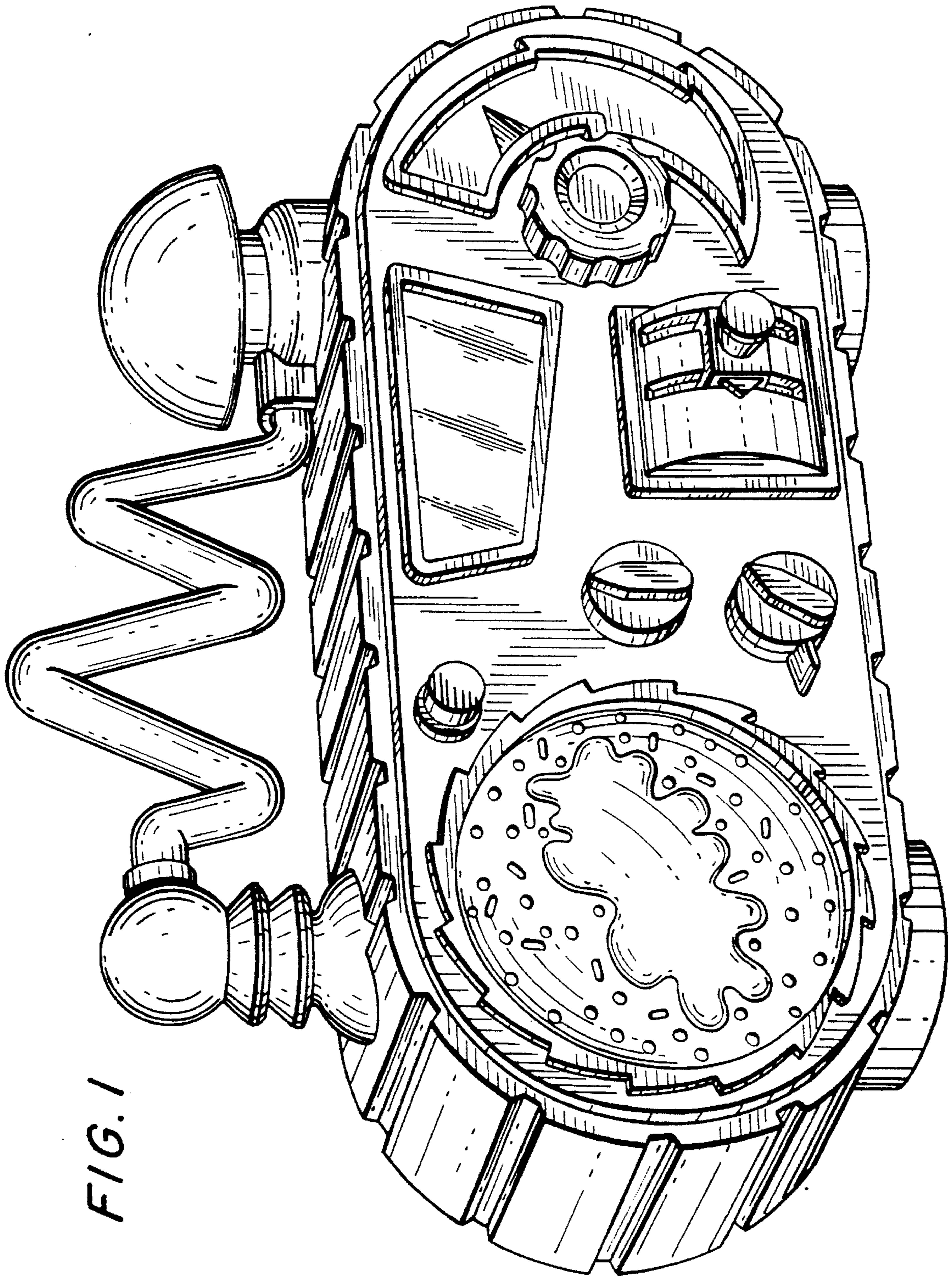


FIG. 1

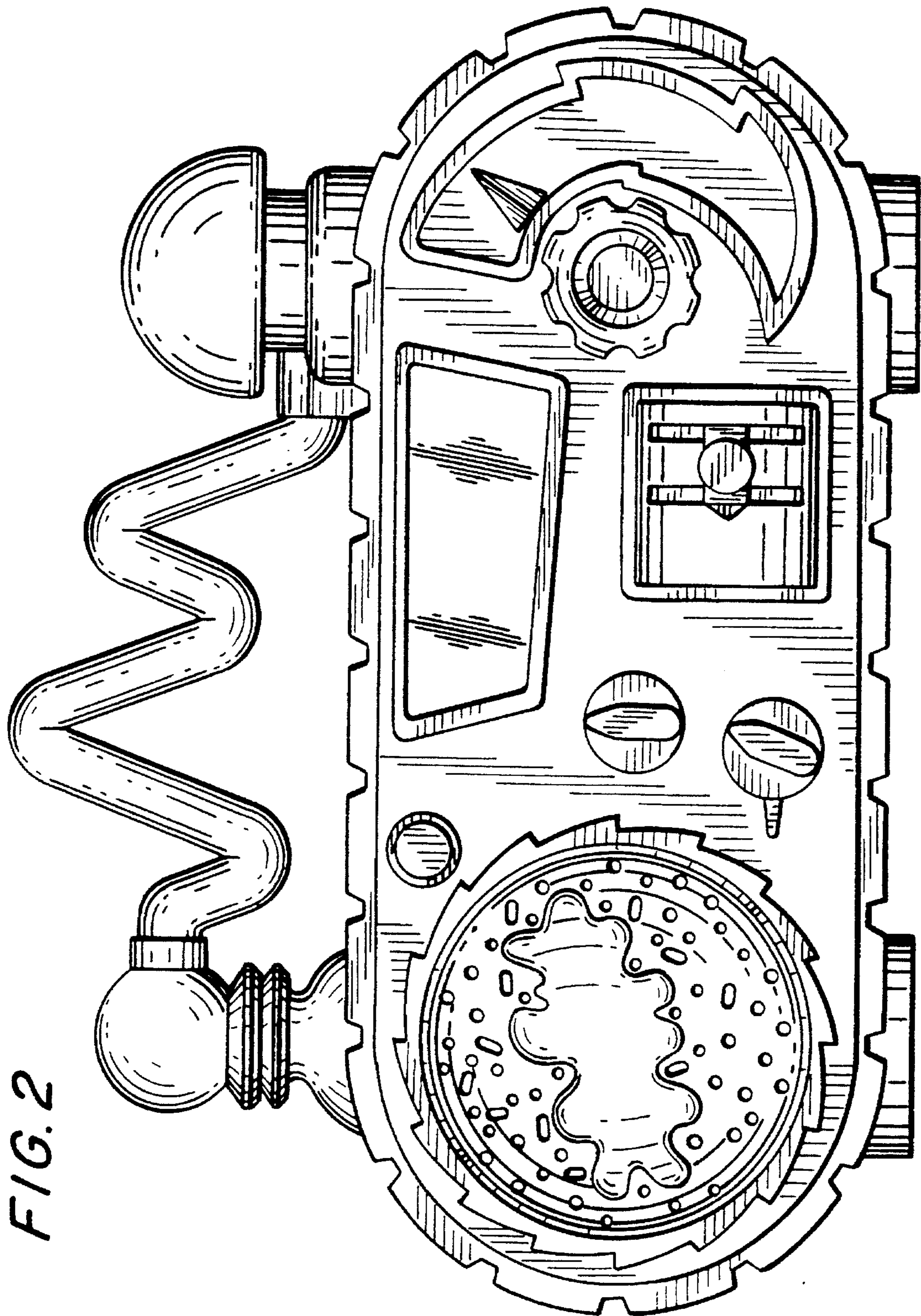


FIG. 2

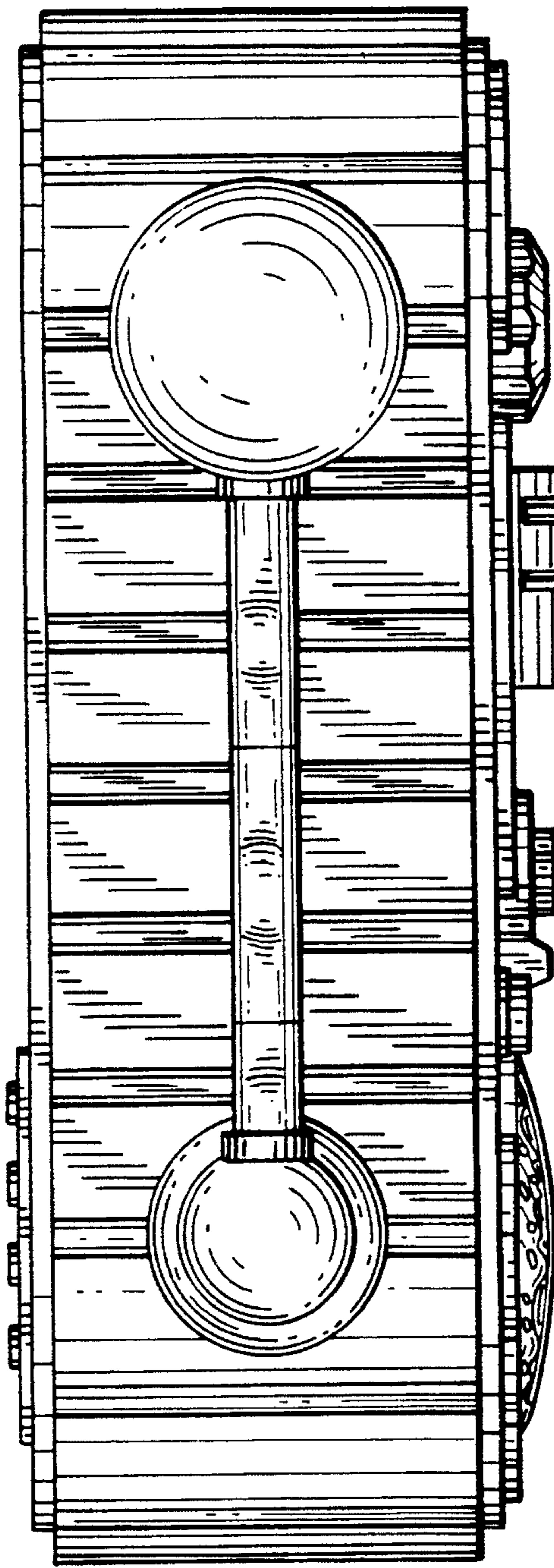


FIG. 3

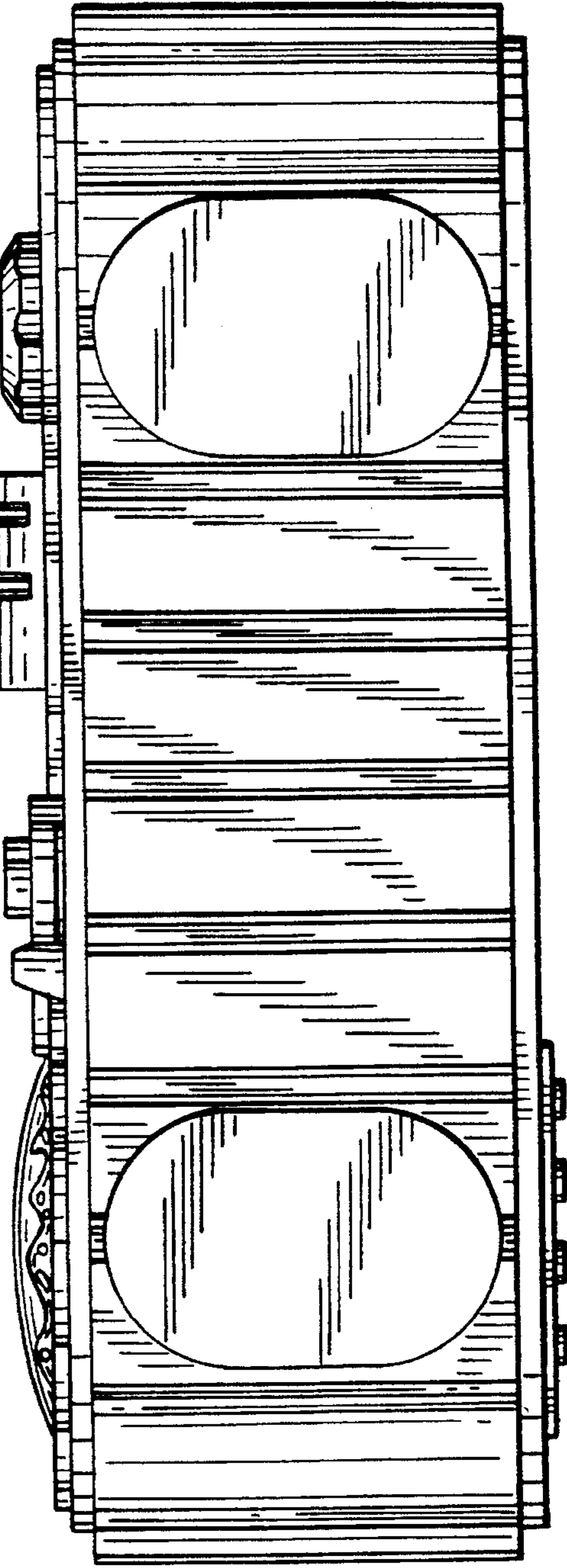


FIG. 4

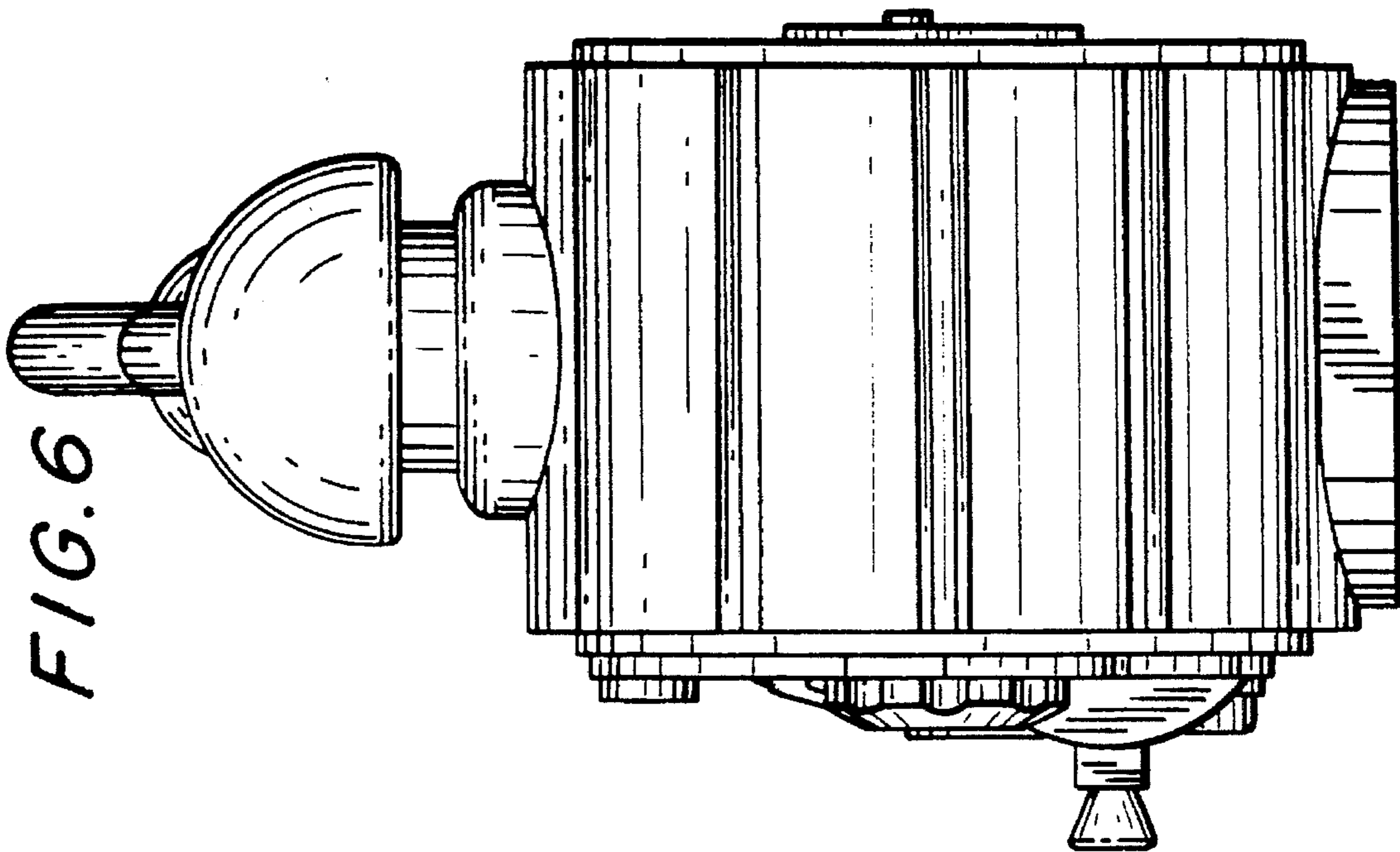


FIG. 6

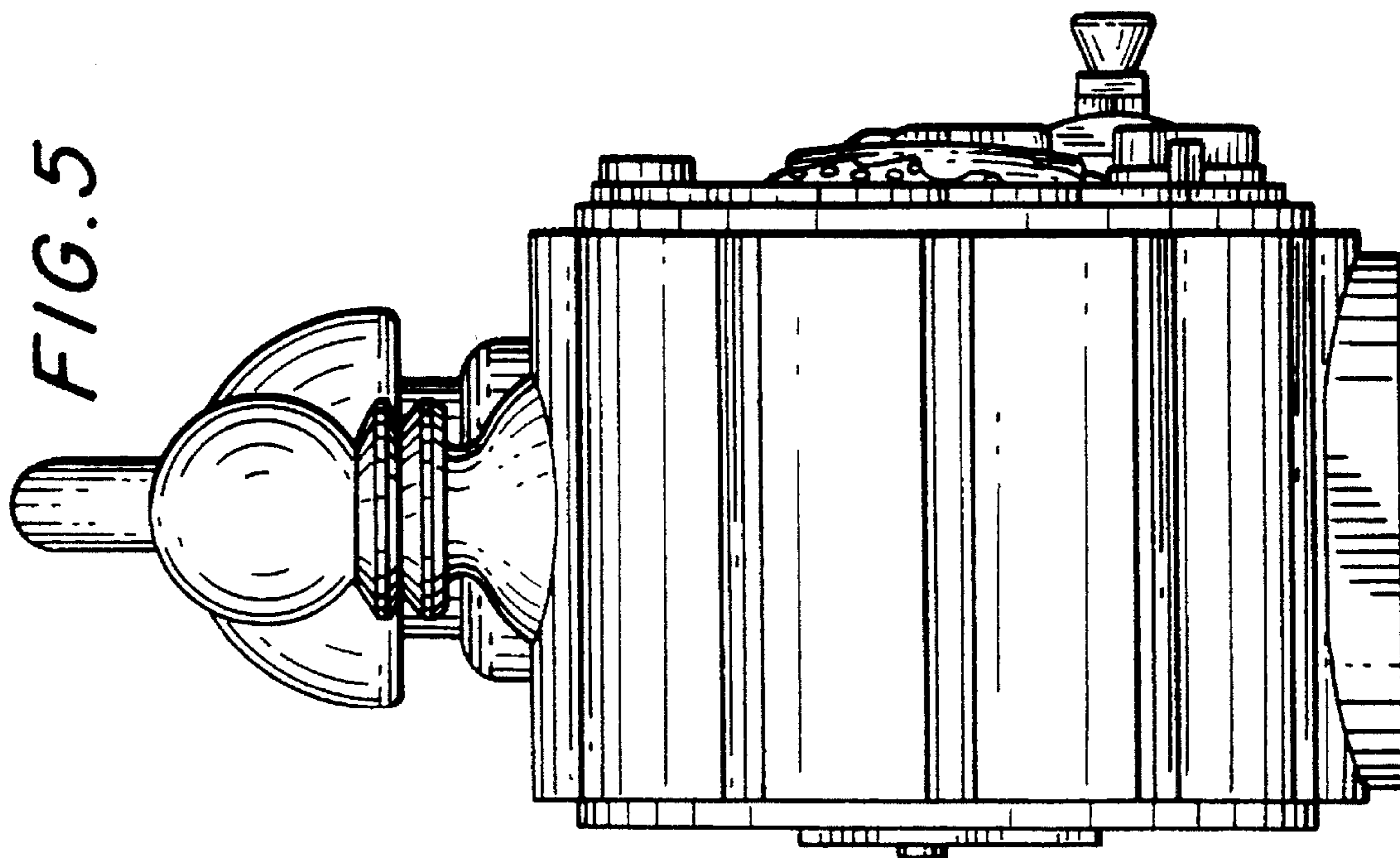


FIG. 5

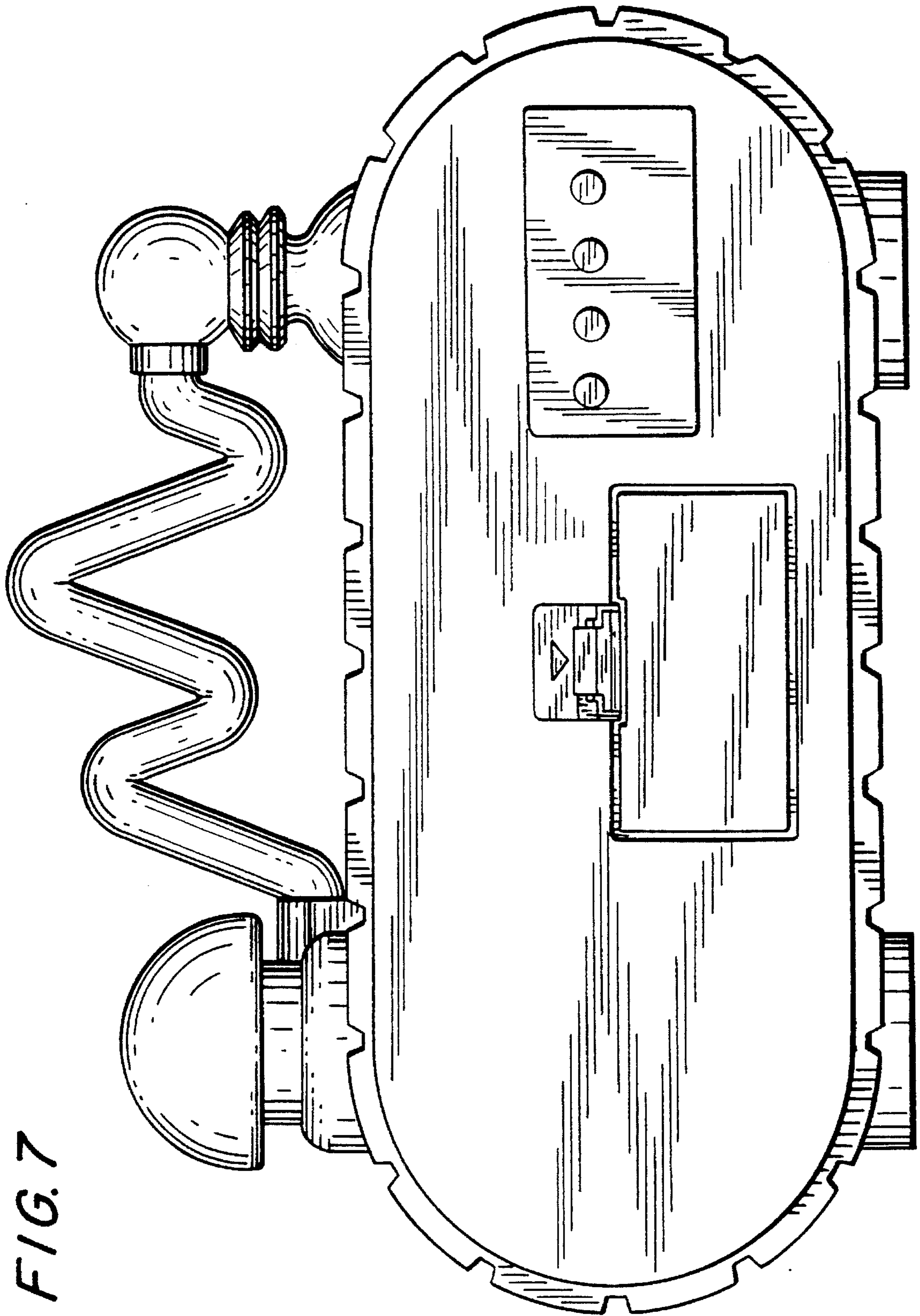


FIG. 7