



US00D369599S

United States Patent [19]

Wang

[11] Patent Number: **Des. 369,599**

[45] Date of Patent: ****May 7, 1996**

[54] **CELLULAR PHONE**

[76] Inventor: **Sunny Wang**, B1 Fl., No. 300, Sec. 2, Hsiyuan Rd., Wanhua Dist., Taipei, Taiwan

[**] Term: **14 Years**

[21] Appl. No.: **41,245**

[22] Filed: **Jul. 10, 1995**

[52] U.S. Cl. **D14/138; D14/147**

[58] Field of Search D14/137, 138, D14/147, 148, 116, 140, 142, 248; 379/58-61, 419, 420, 428, 440, 433, 454, 455

[56] **References Cited**

U.S. PATENT DOCUMENTS

D. 305,427	1/1990	Soren et al.	D14/147 X
D. 319,233	8/1991	Konno et al.	D14/148 X
D. 340,711	10/1993	Nagele et al.	D14/138
D. 353,587	12/1994	Taylor	D14/148 X
D. 353,588	12/1944	Goergen et al.	D14/148 X
D. 357,249	4/1995	Williams	D14/138
D. 357,250	4/1995	Ifuji et al.	D14/138
4,845,772	7/1989	Metroka et al.	379/433 X

OTHER PUBLICATIONS

Mobile Office, Sep. 1993, p. 98, Motorola Micro Tac Ultra Lite, at bottom left.

Primary Examiner—Jeffrey Asch

Attorney, Agent, or Firm—Morton J. Rosenberg; David I. Klein

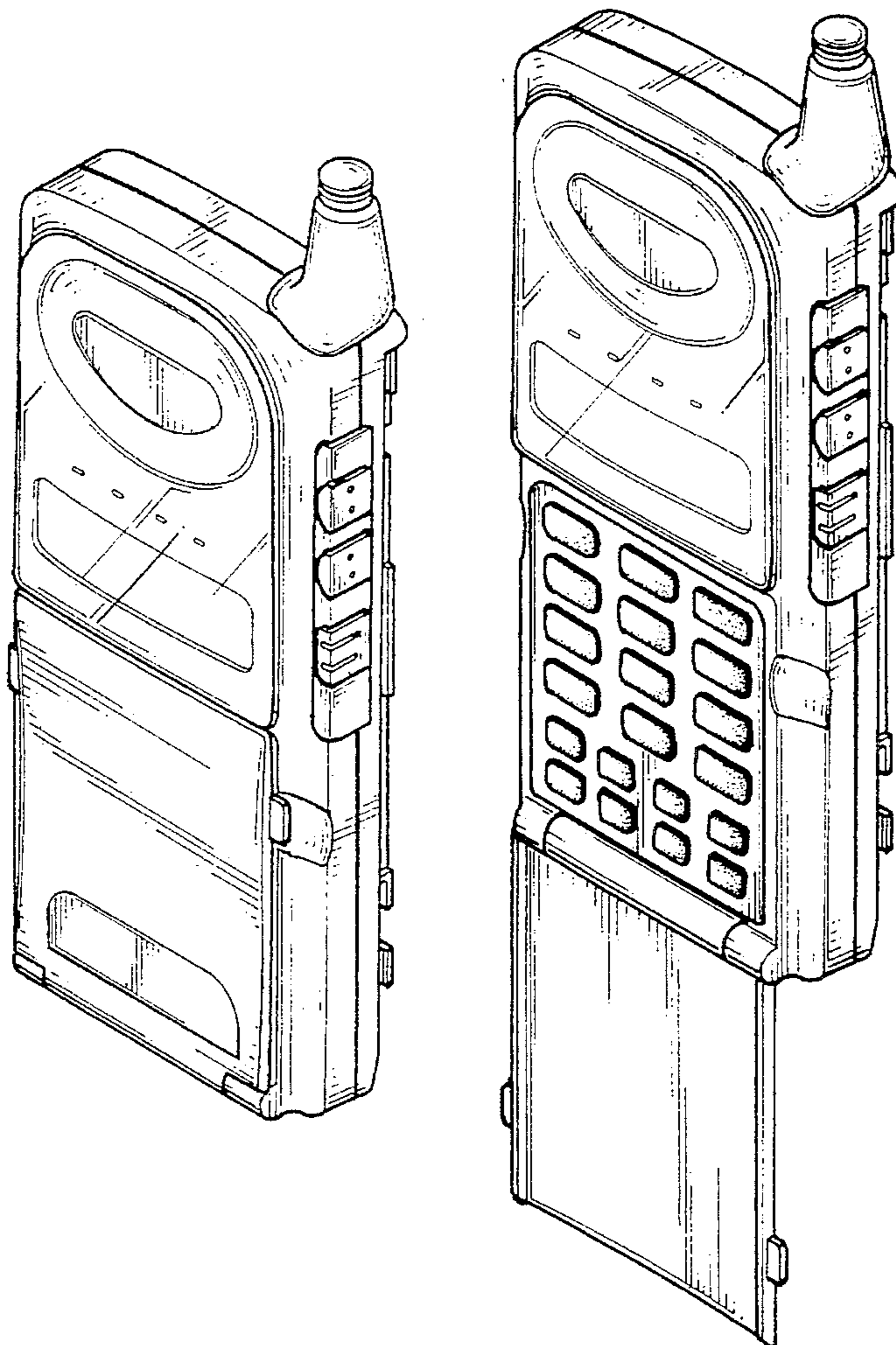
[57] **CLAIM**

The ornamental design for a cellular phone, as shown and described.

DESCRIPTION

FIG. 1 is a perspective view from the front, top and right side of a cellular phone showing my design; FIG. 2 is a front view thereof; FIG. 3 is a rear view thereof; FIG. 4 is a left side elevational view thereof; FIG. 5 is a right side elevational view thereof; FIG. 6 is a top plan view thereof; FIG. 7 is a bottom plan view thereof; and, FIG. 8 is a perspective view thereof in an unfolded condition.

1 Claim, 4 Drawing Sheets



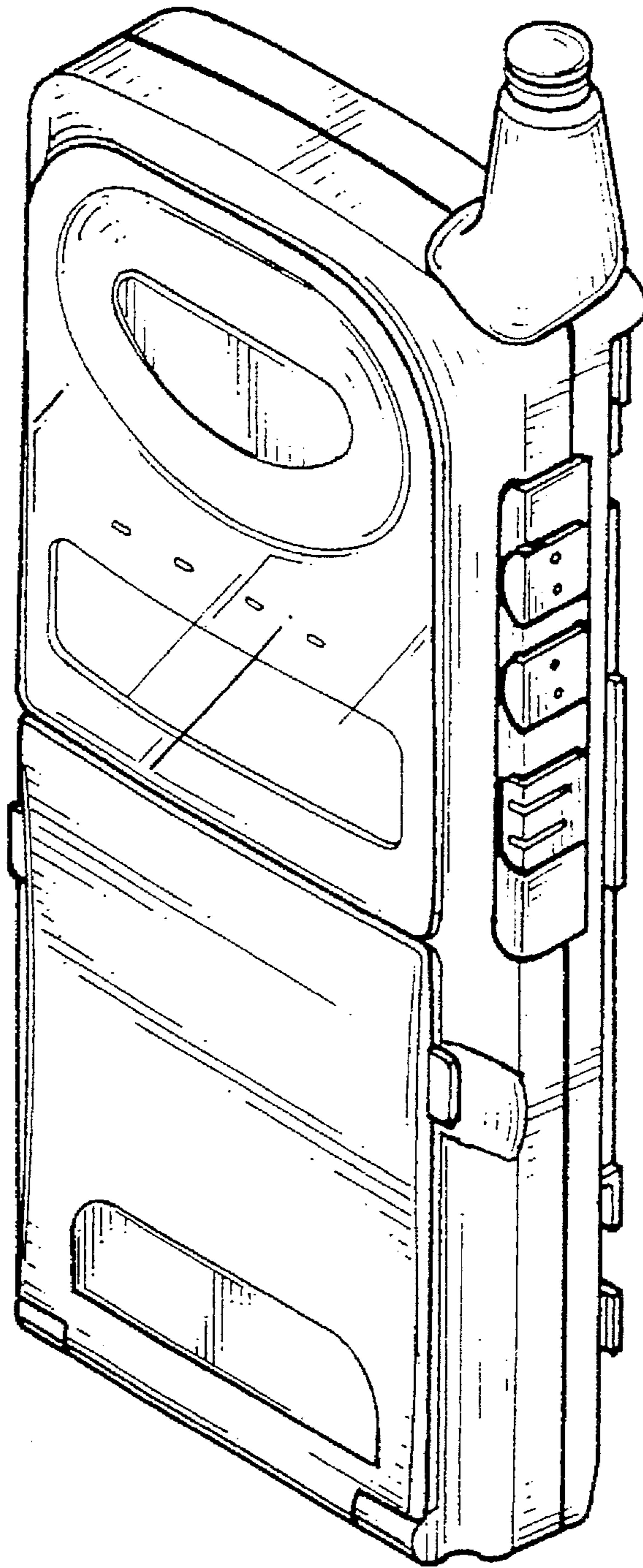


FIG. 1

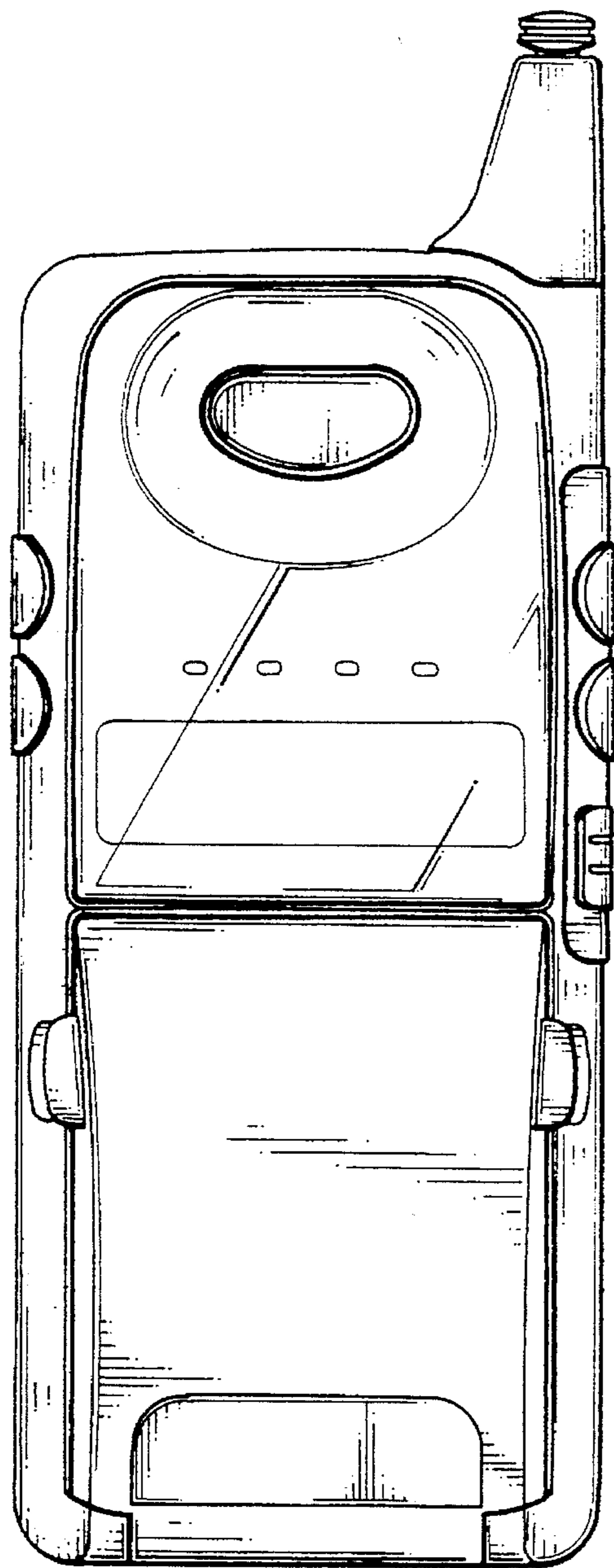


FIG. 2

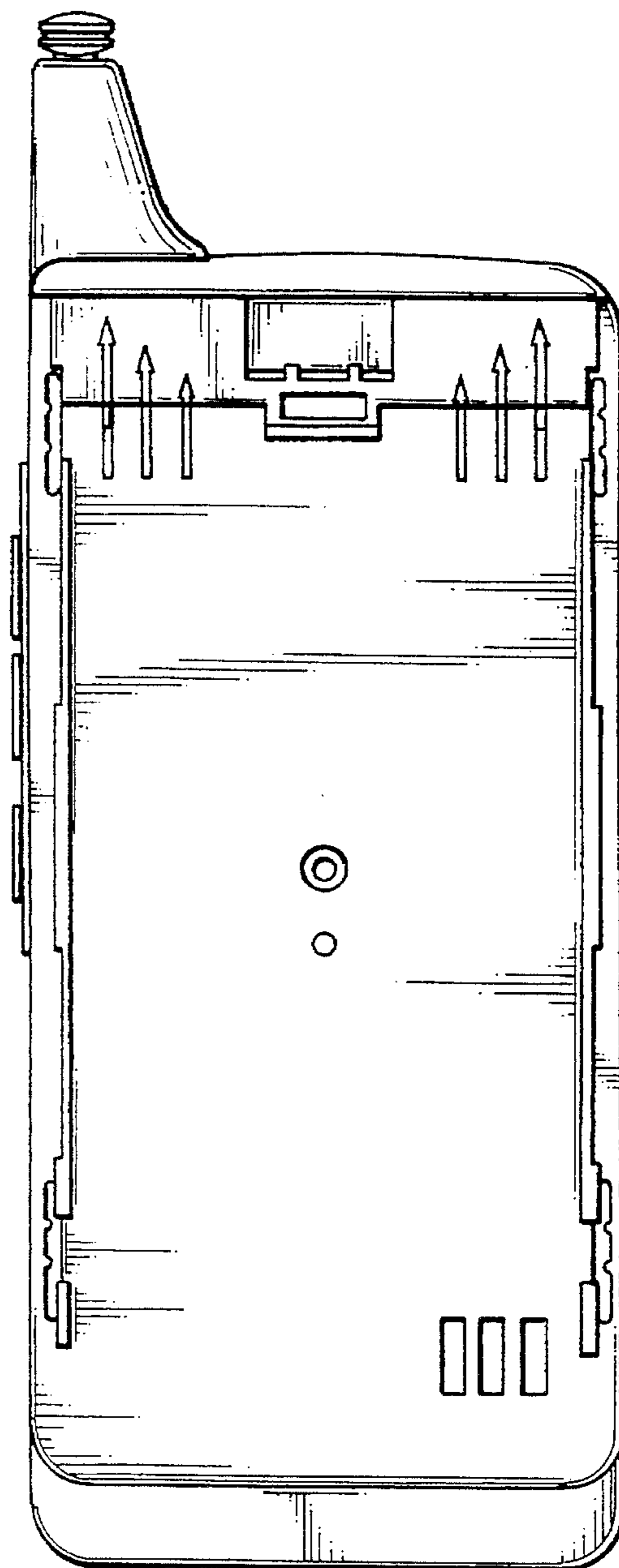


FIG. 3

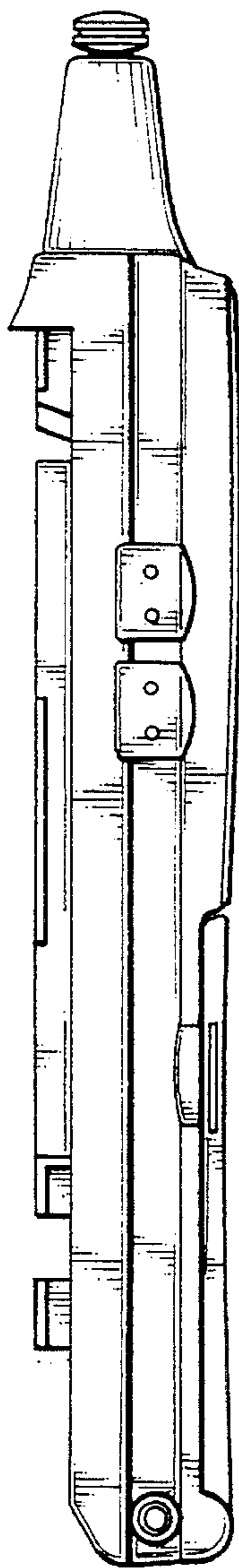


FIG. 4

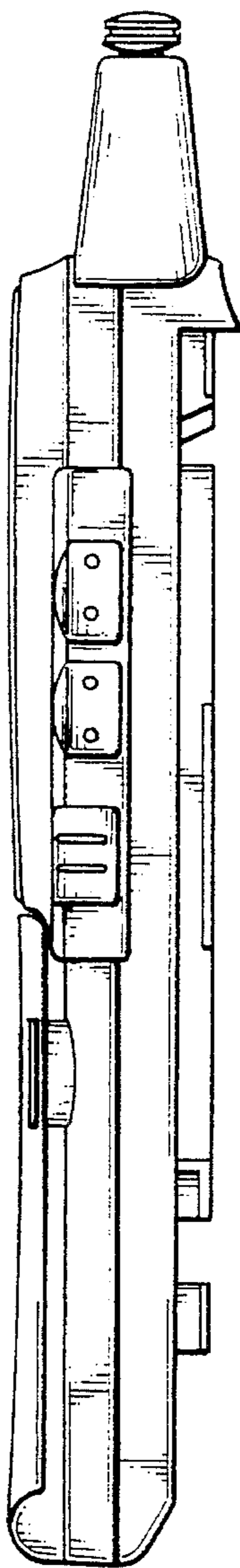


FIG. 5

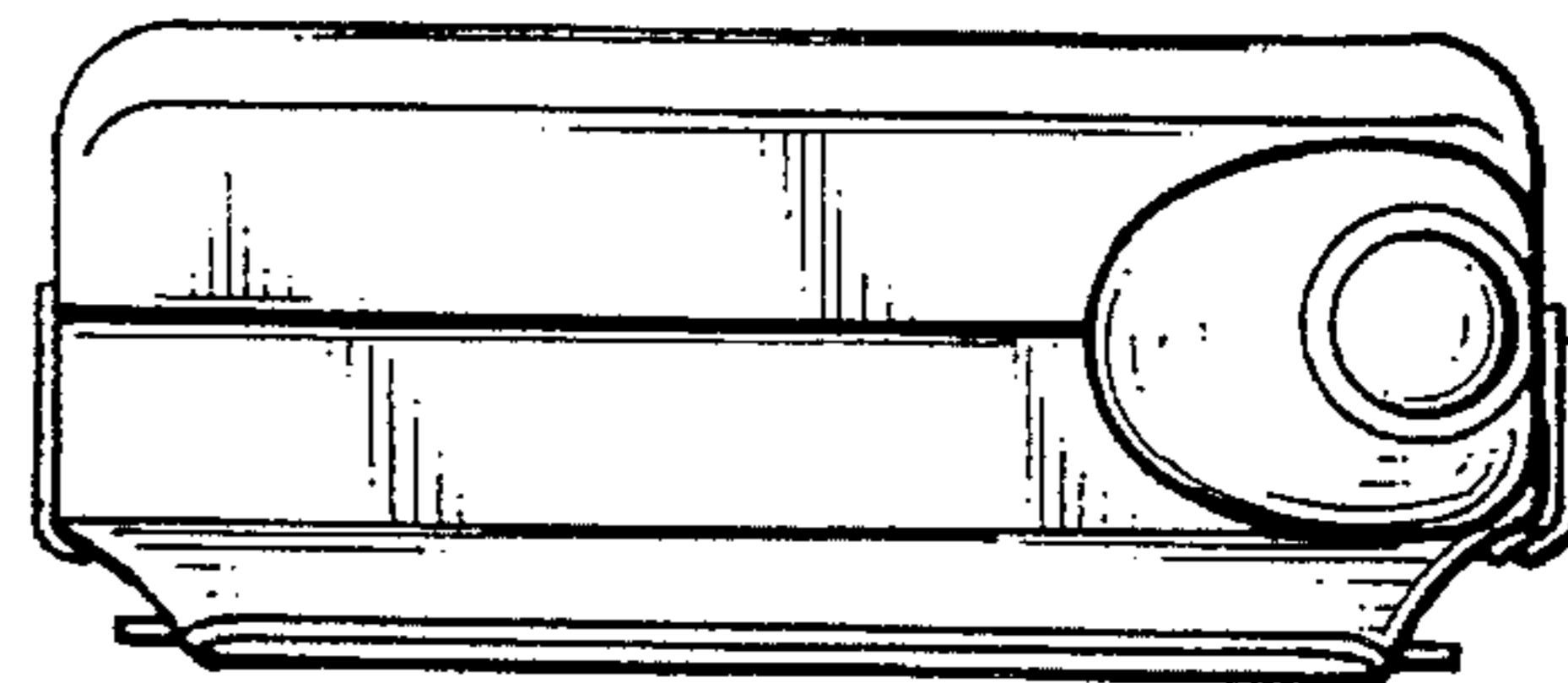


FIG. 6

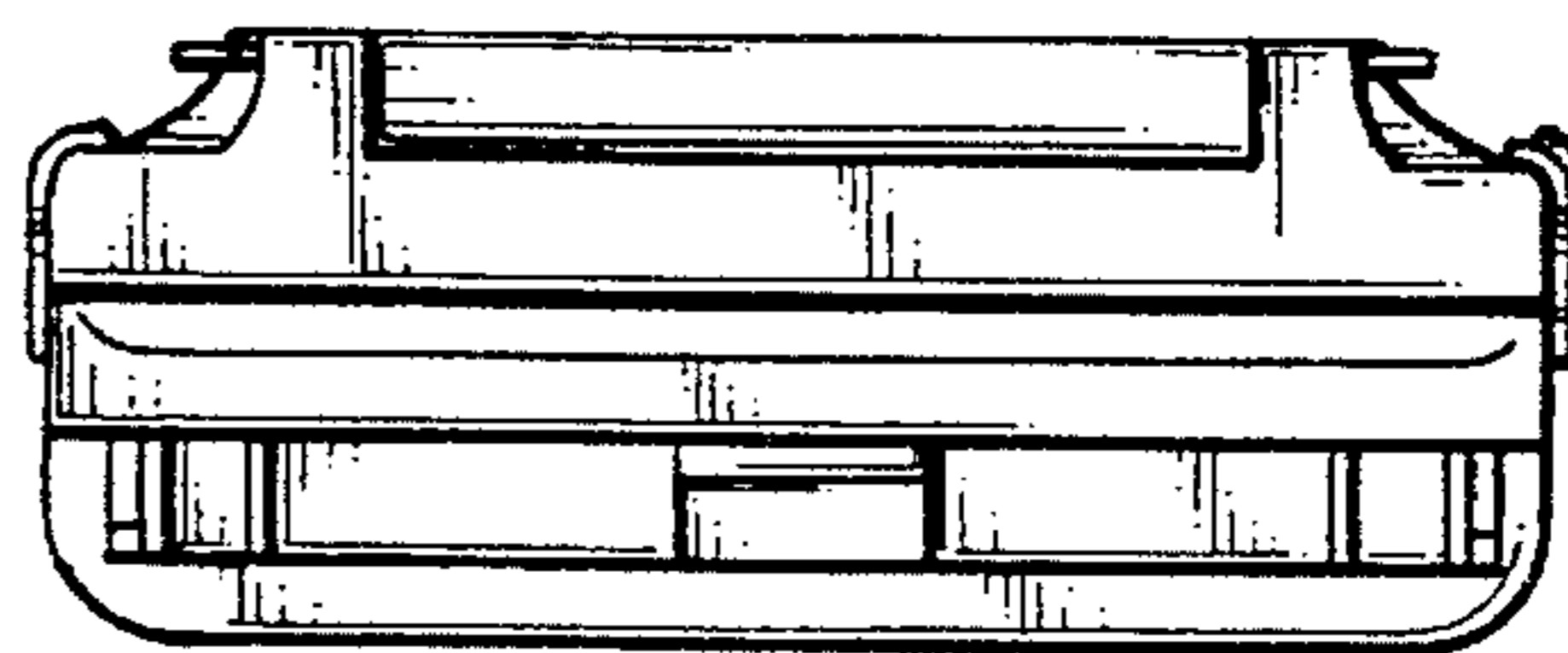


FIG. 7

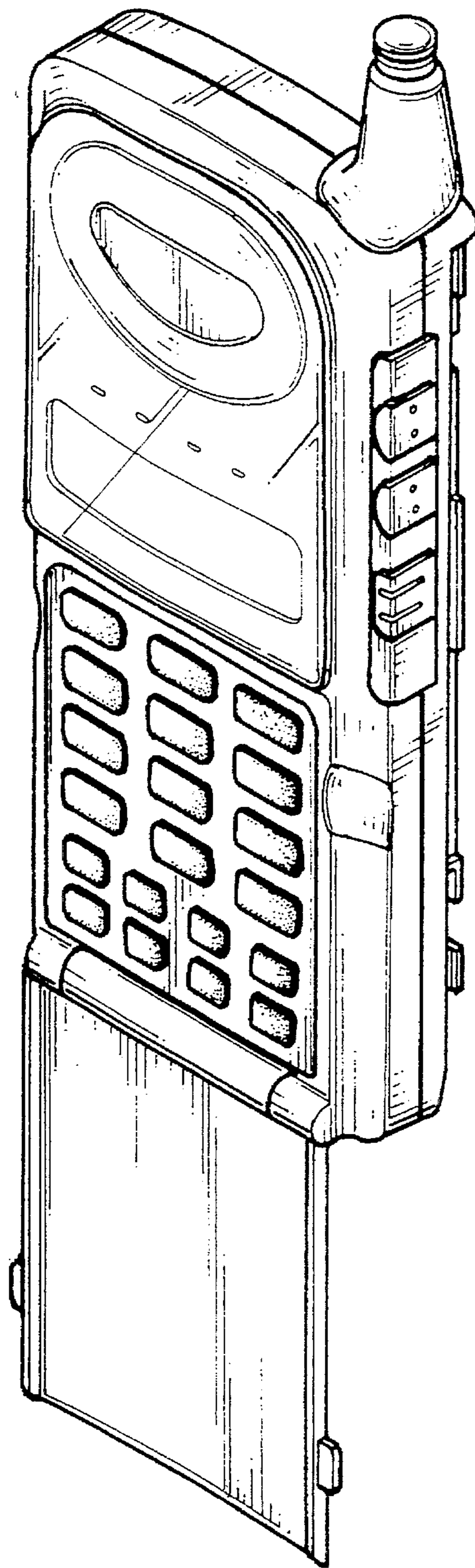


FIG. 8