



US00D369598S

United States Patent [19]

Nagele et al.

[11] Patent Number: **Des. 369,598**

[45] Date of Patent: ****May 7, 1996**

[54] HOUSING FOR A PORTABLE TELEPHONE

[75] Inventors: **Albert L. Nagele**, Wilmette; **Leonid Soren**, Lincolnwood; **Brian J. Hassemer**, Gurnee; **James D. Domoleczny, Sr.**, Lindenhurst, all of Ill.

[73] Assignee: **Motorola**, Schaumburg, Ill.

[**] Term: **14 Years**

[21] Appl. No.: **38,662**

[22] Filed: **May 9, 1995**

Related U.S. Application Data

[63] Continuation-in-part of Ser. No. 22,037, Mar. 7, 1994, Pat. No. Des. 359,734.

[52] U.S. Cl. **D14/138**; D14/248

[58] Field of Search D14/137, 138, D14/140, 142, 147-151, 240, 248, 116, 107, 100; 379/58-61, 419, 420, 428, 440, 454, 455, 433; 455/89, 90

[56] References Cited

U.S. PATENT DOCUMENTS

| | | | |
|------------|---------|-------------------|---------|
| D. 254,435 | 3/1980 | Ferron | D14/147 |
| D. 297,735 | 9/1988 | Soren et al. . | |
| D. 300,742 | 4/1989 | Soren et al. . | |
| D. 300,827 | 4/1989 | Soren et al. . | |
| D. 304,189 | 10/1989 | Nagele et al. . | |
| D. 305,427 | 1/1990 | Soren et al. . | |
| D. 306,294 | 2/1990 | Watanabe | D14/138 |
| D. 318,050 | 6/1991 | Elbaz et al. . | |
| D. 321,349 | 11/1991 | Colida . | |
| D. 325,028 | 3/1992 | Nagele et al. . | |
| D. 325,029 | 3/1992 | Nagele et al. . | |
| D. 326,092 | 5/1992 | Kikuchi et al. . | |
| D. 327,062 | 6/1992 | Taylor et al. . | |
| D. 334,746 | 4/1993 | Novak . | |
| D. 336,087 | 6/1993 | Siddoway et al. . | |
| D. 340,711 | 10/1993 | Nagele et al. . | |
| D. 342,248 | 12/1993 | Nagele et al. . | |

(List continued on next page.)

Attorney, Agent, or Firm—Kevin D. Kaschke

[57] CLAIM

The ornamental design for a housing for a portable telephone, as shown and described.

DESCRIPTION

FIG. 1 is a top, front and left side perspective view of a housing for a portable telephone showing our new design in an open position;

FIG. 2 is a top, front and left side perspective view thereof showing our new design in a closed position;

FIG. 3 is a rear side elevation view thereof showing our new design in the closed position;

FIG. 4 is a rear side elevation view thereof showing our new design in the open position;

FIG. 5 is a right side elevation view thereof showing our new design in the closed position, the left side elevation view thereof showing our new design in the closed position being a mirror image of the right side elevation view thereof showing our new design in the closed position;

FIG. 6 is a right side elevation view thereof showing our new design in the open position, the left side elevation view thereof showing our new design in the open position being a mirror image of the right side elevation view thereof showing our new design in the open position;

FIG. 7 is a bottom side plan view thereof showing our new design in the closed position;

FIG. 8 is a bottom side plan view thereof showing our new design in the open position;

FIG. 9 is a front side elevation view thereof showing our new design in the closed position;

FIG. 10 is a front side elevation view thereof showing our new design in the open position;

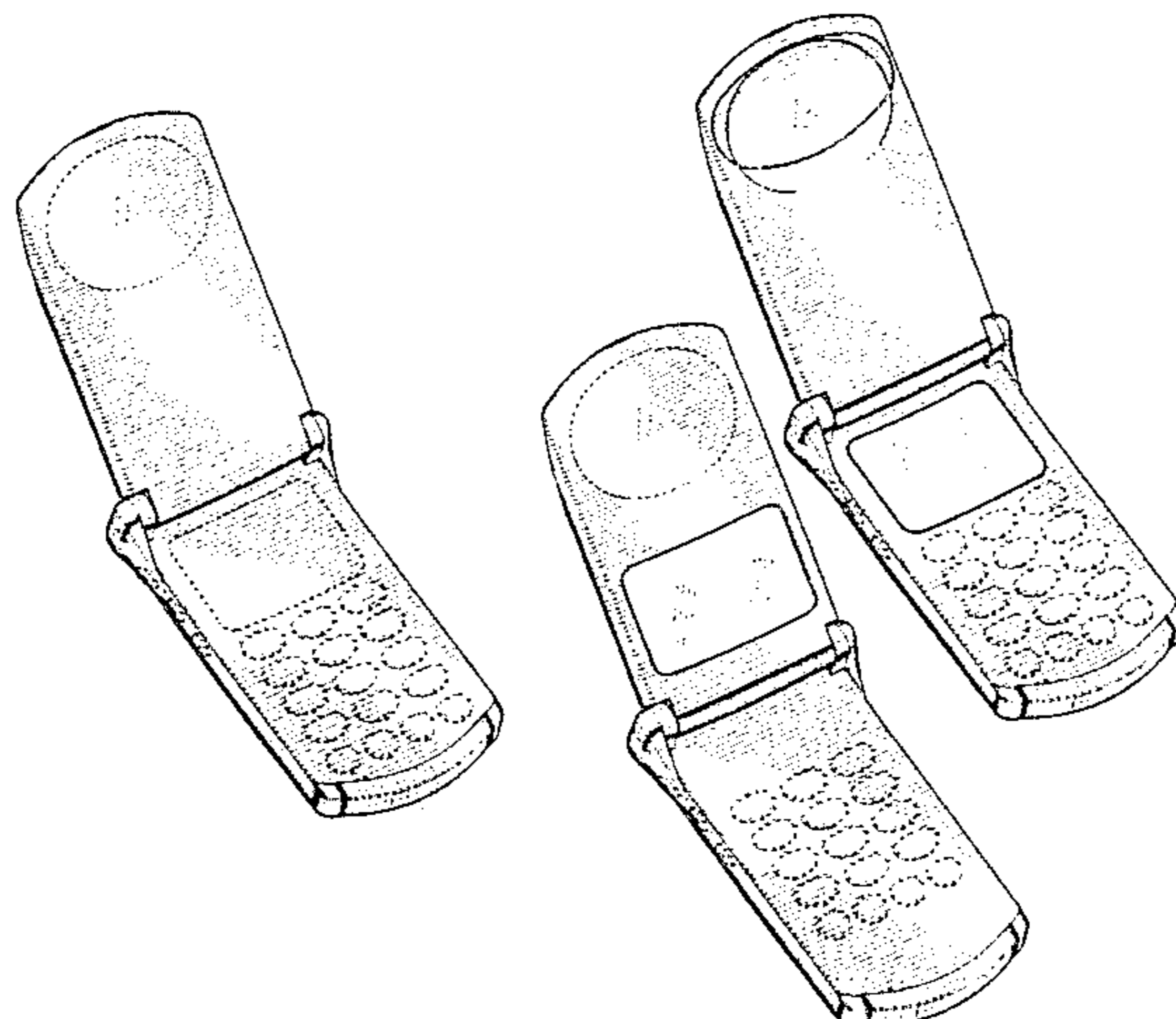
FIG. 11 is a top, front, and left side perspective view of a second embodiment of that shown in FIGS. 1-10, the sides not shown being the same in appearance to those of the first embodiment; and,

FIG. 12 is a top, front, and left side perspective view of a third embodiment of that shown in FIGS. 1-10, the sides not shown being the same in appearance to those of the first embodiment.

The broken line matter in all figures is for illustrative purposes only and forms no part of the claimed design.

Primary Examiner—Jeffrey Asch

1 Claim, 5 Drawing Sheets



Des. 369,598

Page 2

U.S. PATENT DOCUMENTS

| | | | | | | |
|------------|--------|-------------------|------------|---------|----------------------|-----------|
| D. 343,615 | 6/1994 | Taylor . | D. 346,164 | 4/1994 | Shirkawa et al. | D14/138 |
| D. 343,616 | 1/1994 | Nagele et al. . | D. 347,221 | 5/1994 | Siddoway . | |
| D. 343,835 | 2/1994 | Nagele et al. . | D. 352,503 | 11/1994 | Nagele . | |
| D. 345,158 | 3/1994 | Namba et al. | D. 359,734 | 6/1995 | Nagele et al. | D14/147 X |
| D. 345,356 | 3/1994 | Ando et al. . | 4,926,474 | 5/1990 | Marks . | |
| | | | 5,027,394 | 6/1991 | Ono et al. . | |
| | | | 5,260,998 | 11/1993 | Takagi . | |

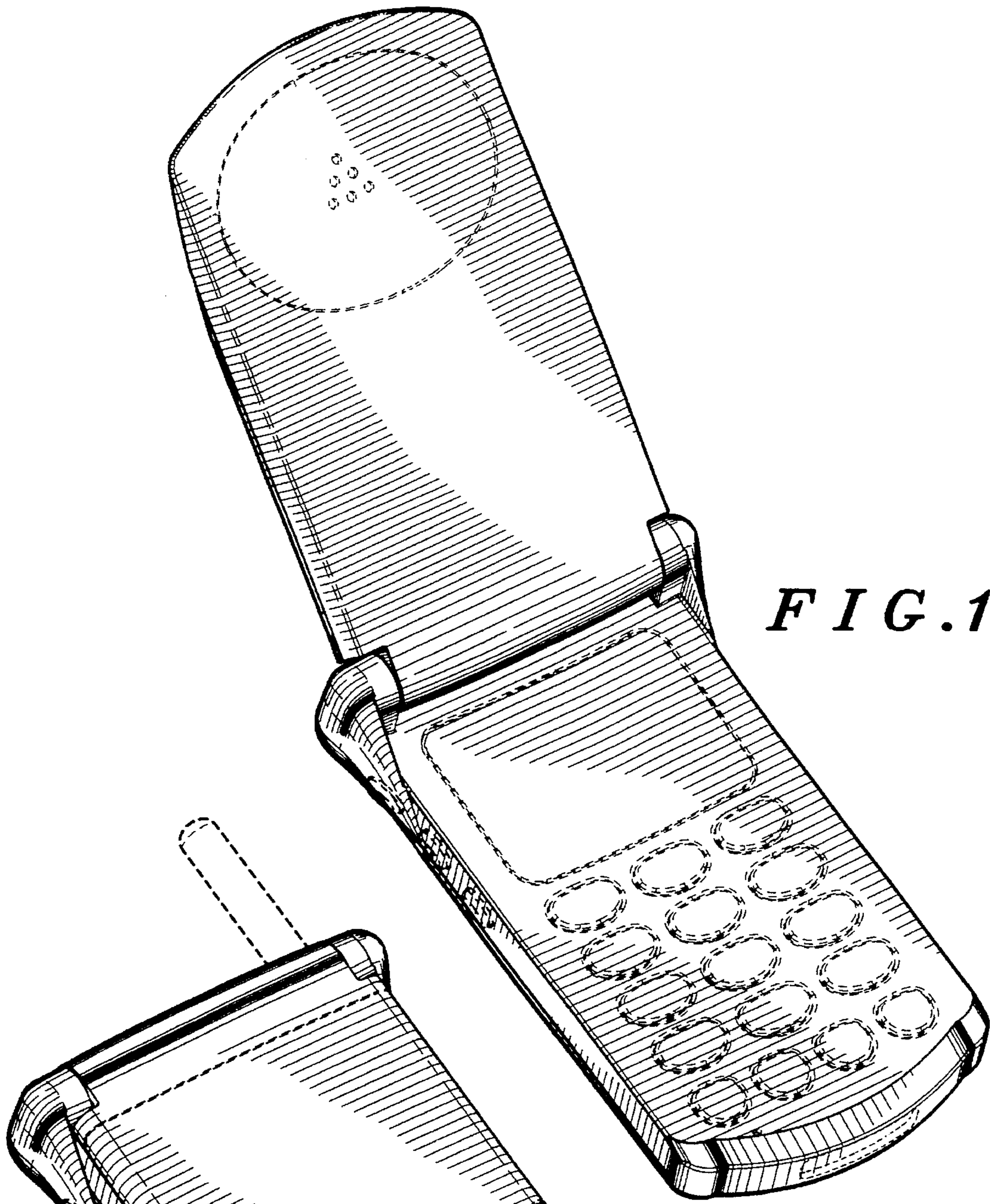


FIG. 1

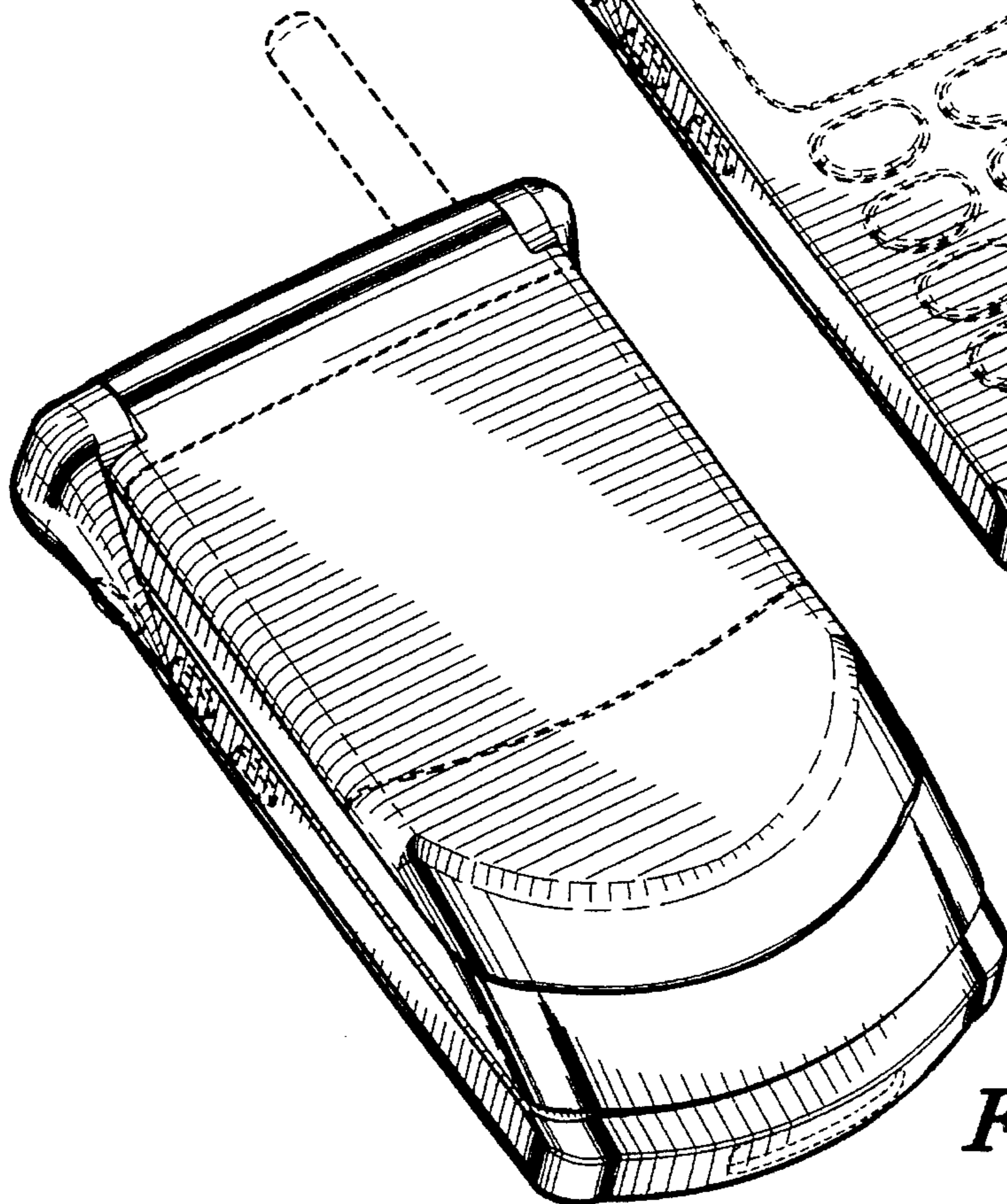


FIG. 2

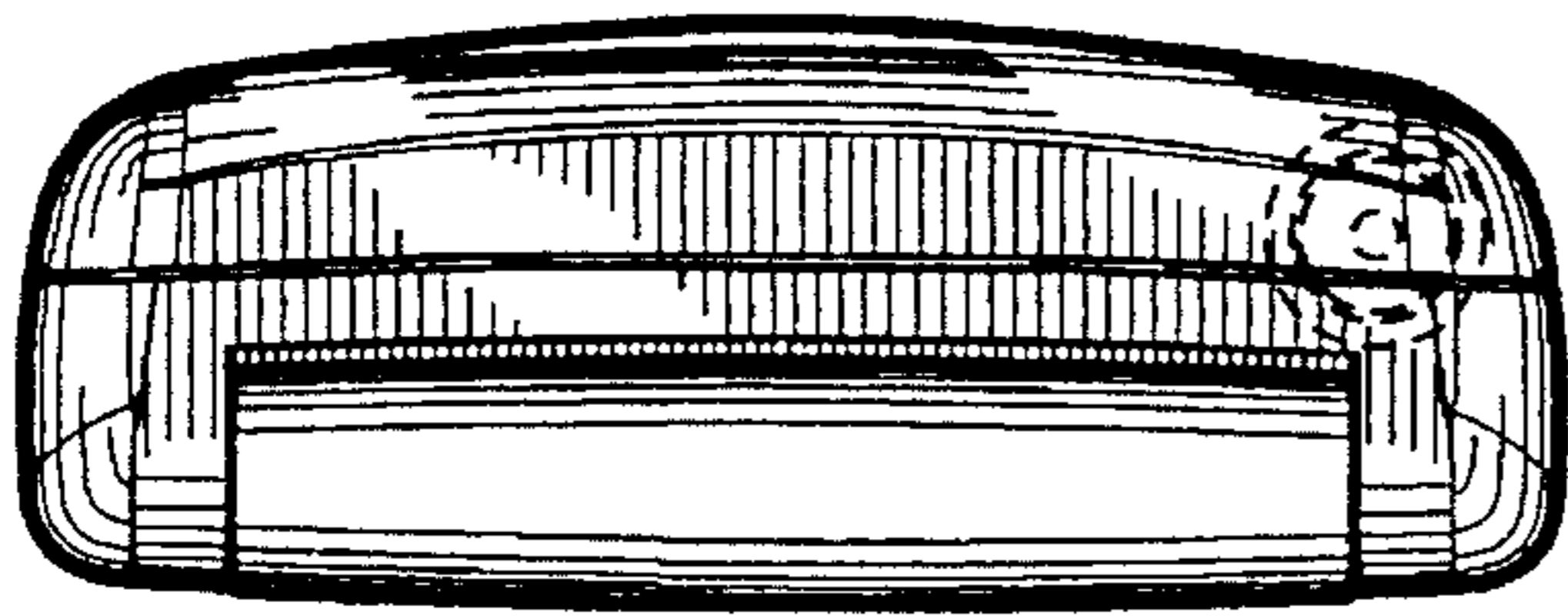


FIG. 3

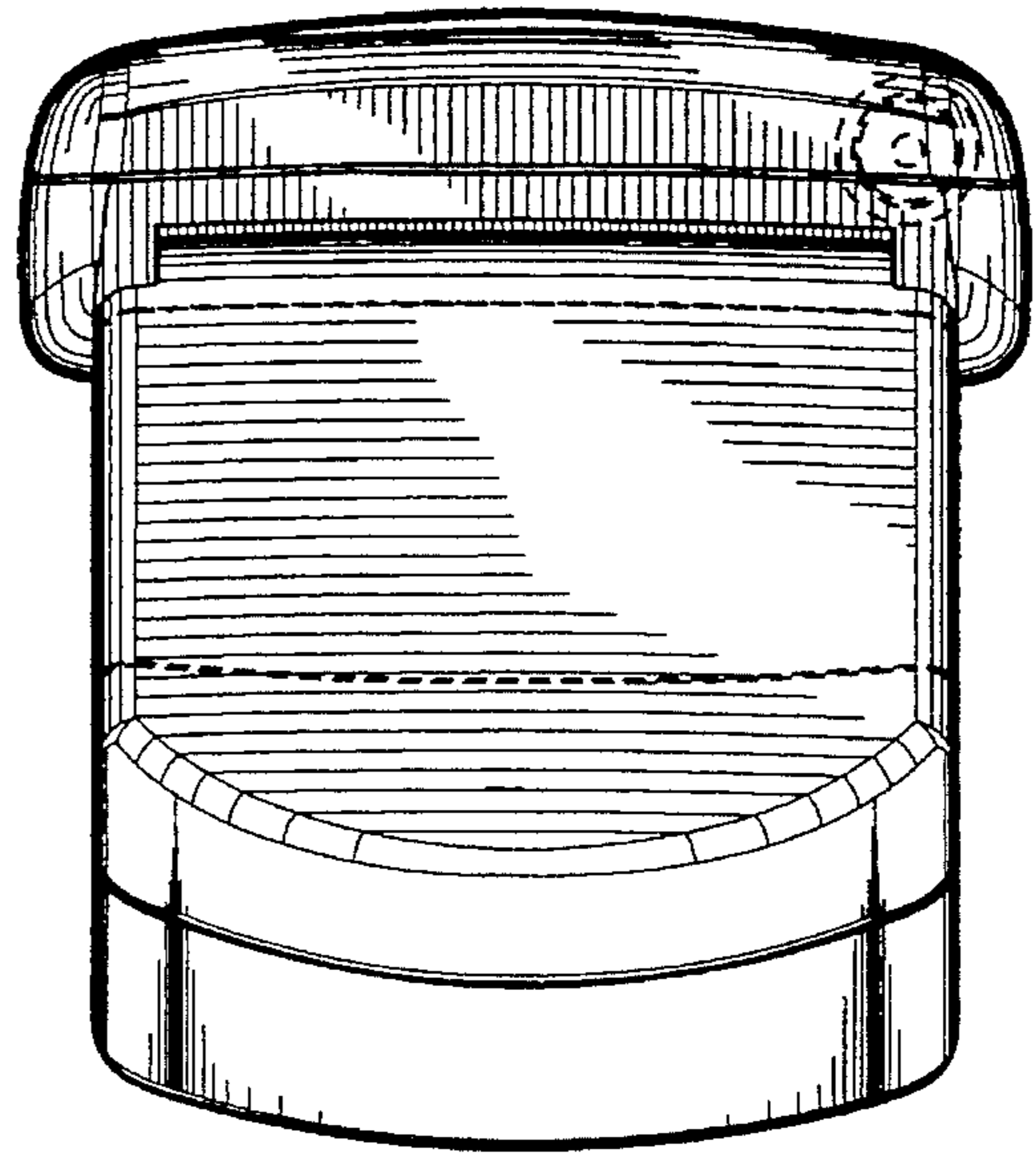
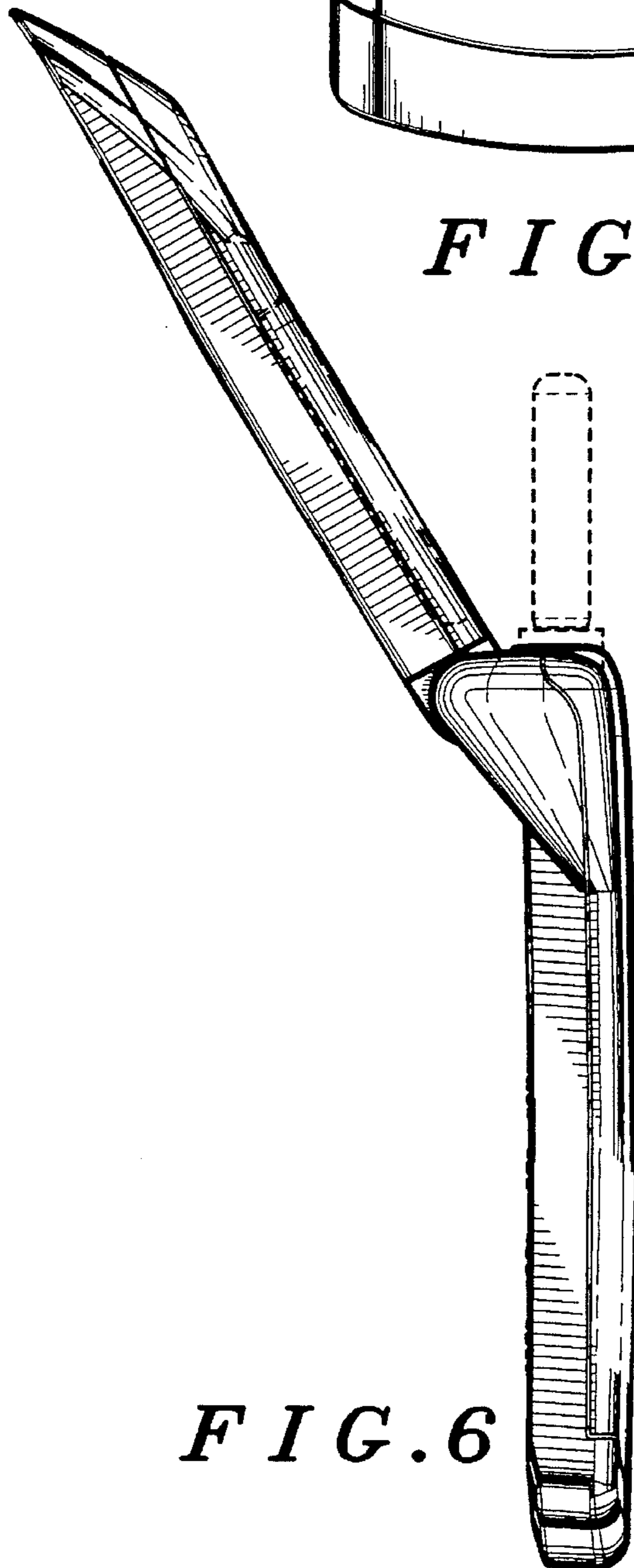


FIG. 4

FIG. 5



FIG. 6



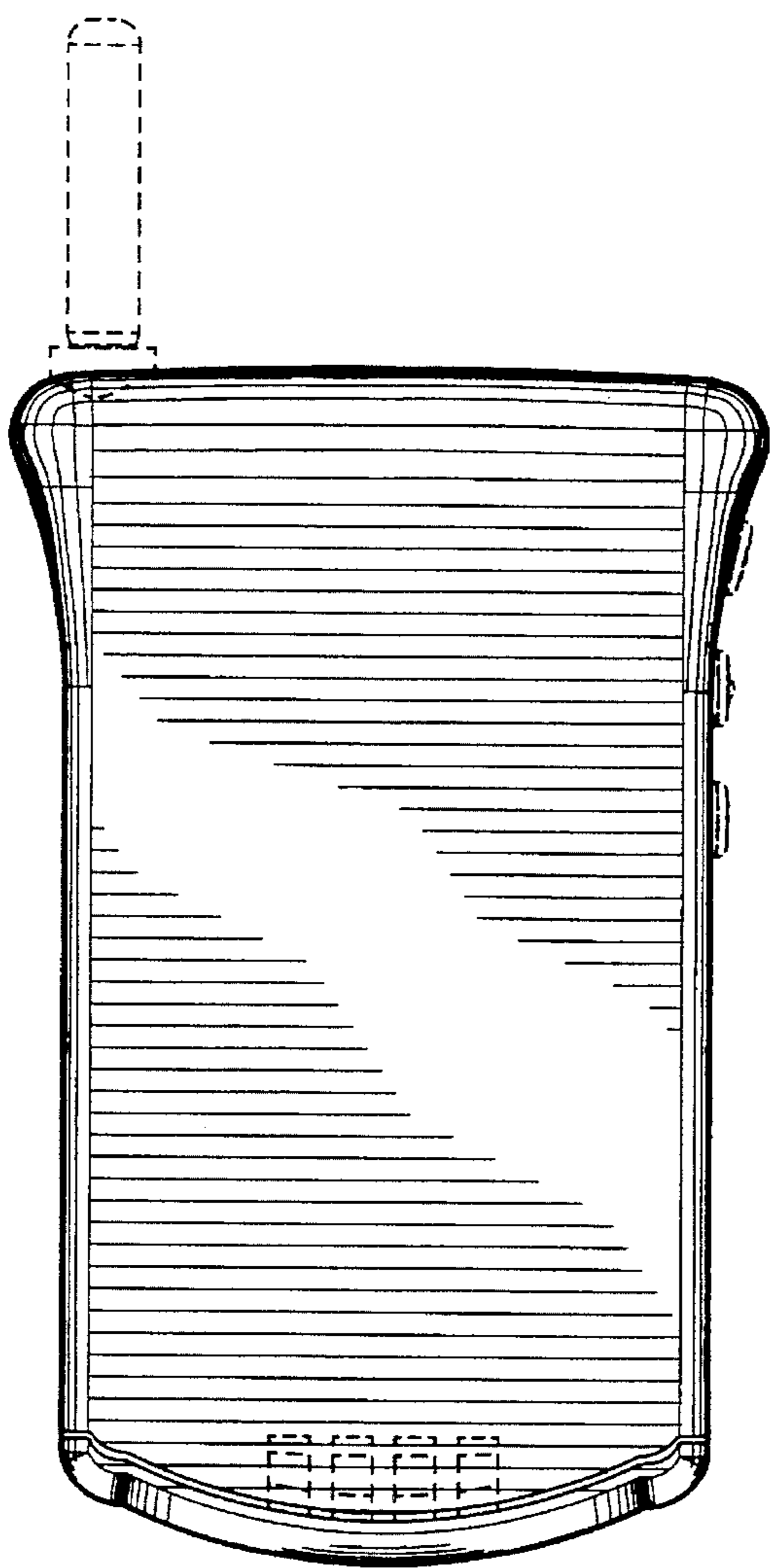


FIG. 7

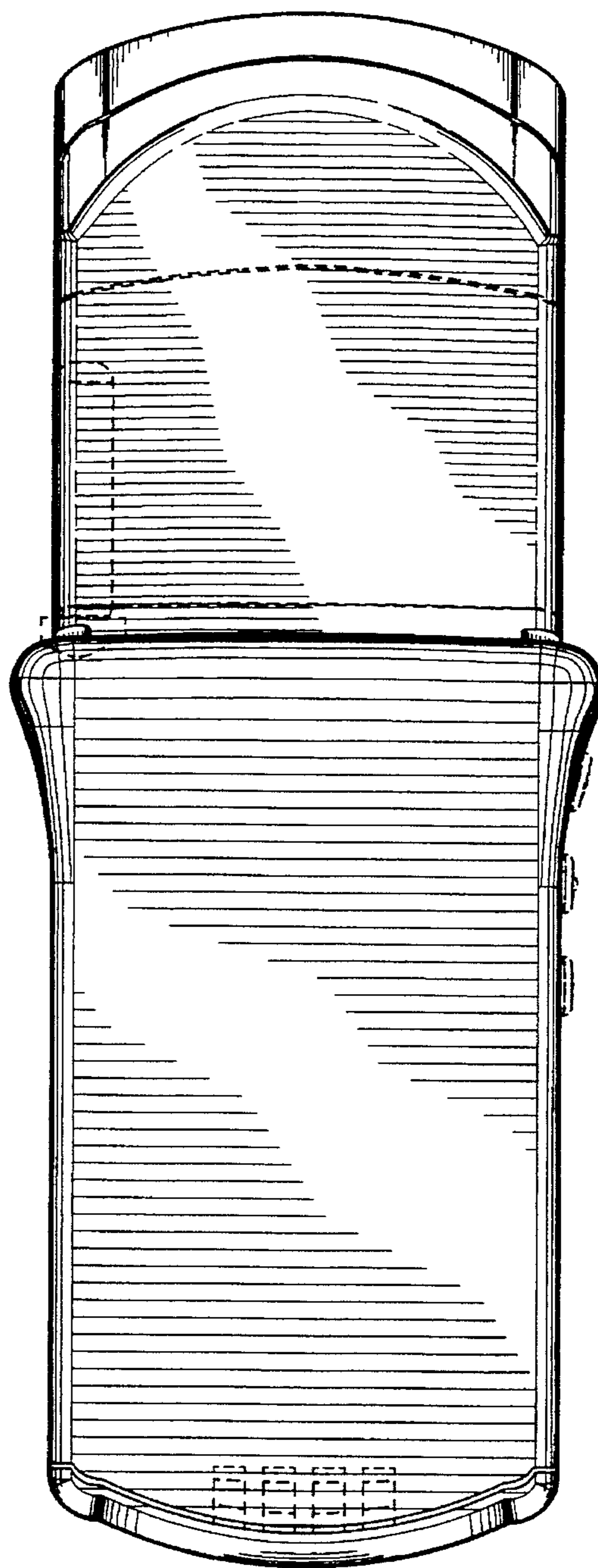


FIG. 8

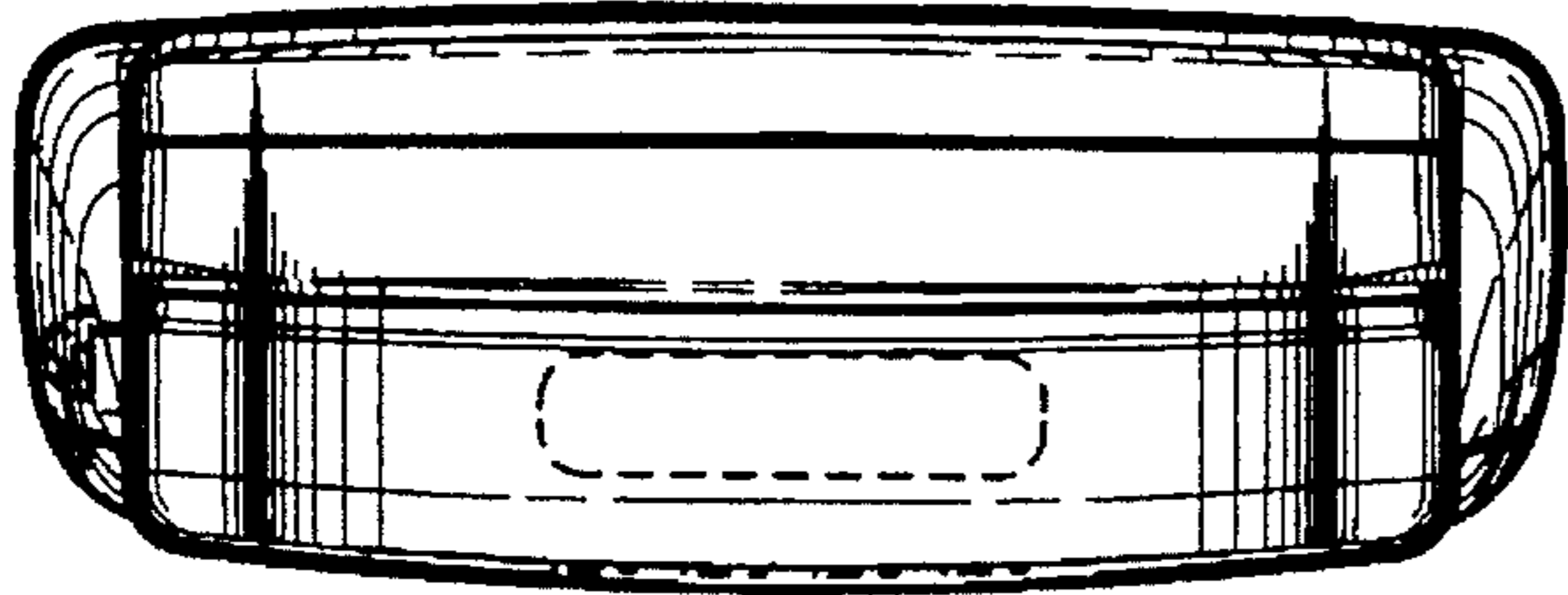


FIG. 9

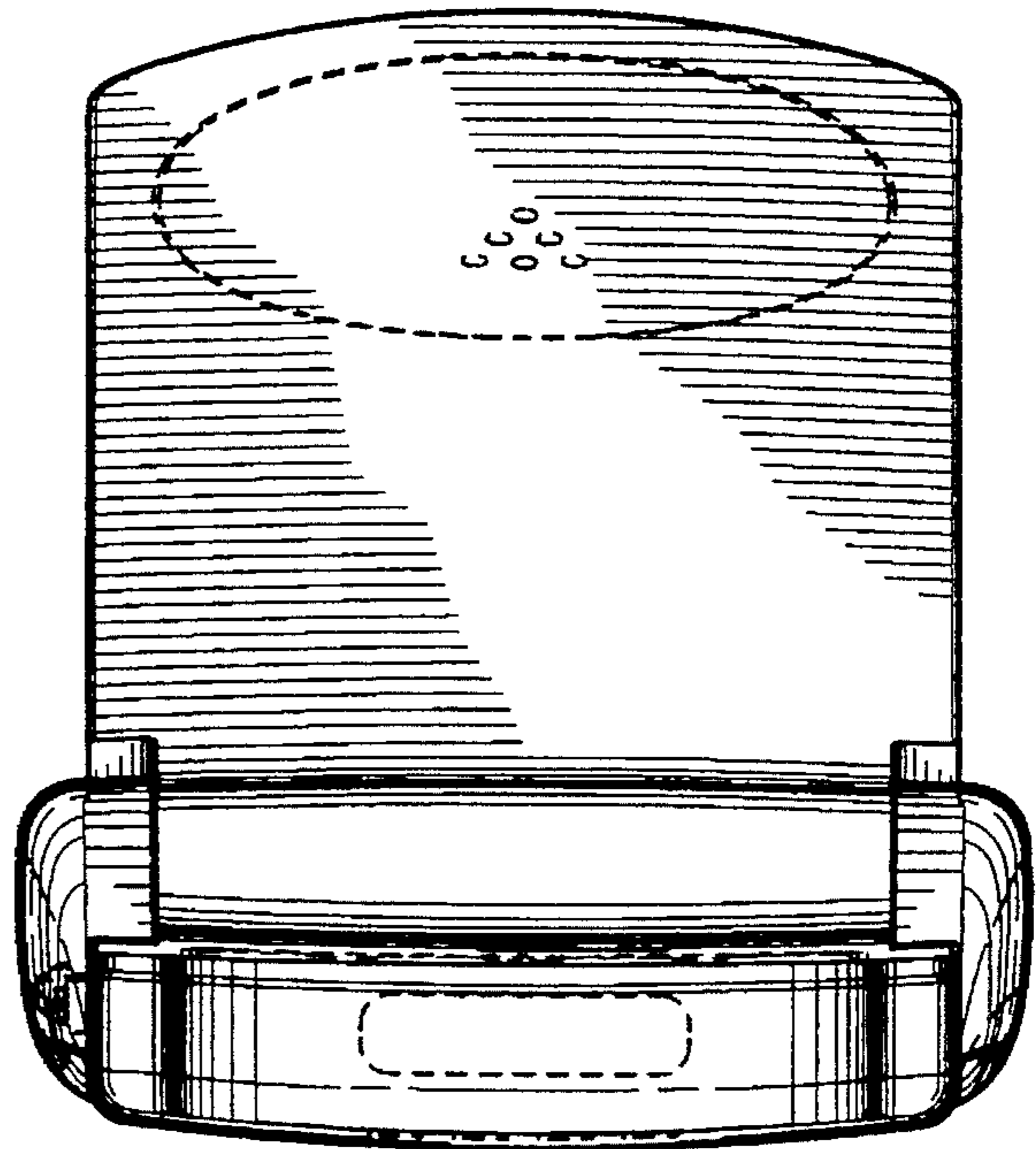


FIG. 10

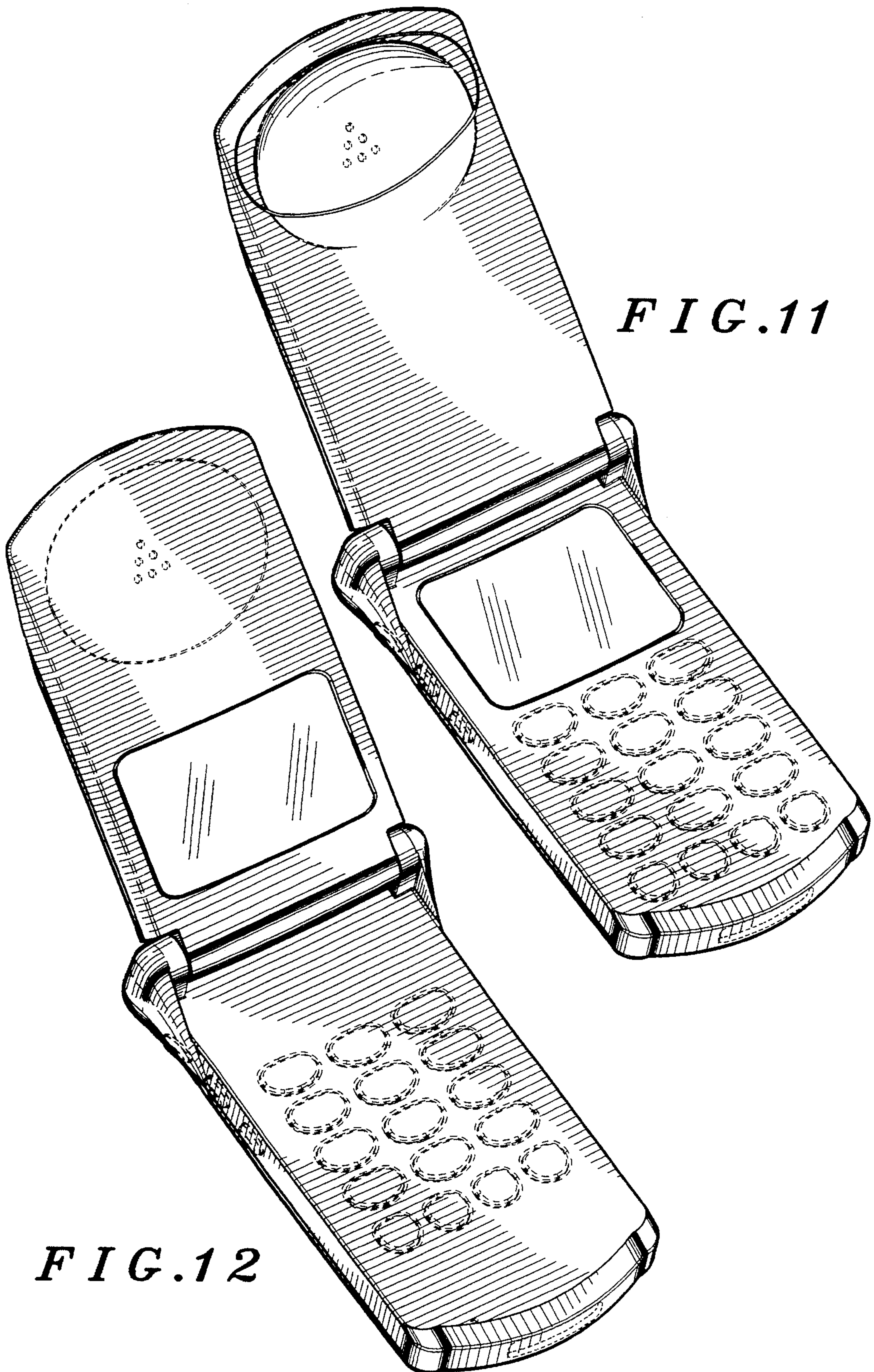


FIG. 11

FIG. 12