



US00D369587S

United States Patent [19] Ott

[11] **Patent Number: Des. 369,587**
[45] **Date of Patent: **May 7, 1996**

[54] **COMPUTER PLUG**

[76] Inventor: **Reinhold Ott**, Eichwiesenring 9,
D-70567 Stuttgart, Germany

[**] Term: **14 Years**

[21] Appl. No.: **24,632**

[22] Filed: **Jun. 17, 1994**

[30] **Foreign Application Priority Data**

Dec. 28, 1993 [WO] WIPO DM/028 232

[52] **U.S. Cl.** **D13/147**

[58] **Field of Search** D13/133, 146,
D13/147; 439/11, 13, 67, 446, 449, 452,
455, 686, 701, 712, 713, 731

[56] **References Cited**

U.S. PATENT DOCUMENTS

D. 317,291	6/1991	Esslinger	D13/133
D. 321,410	11/1991	Layne	D13/133 X
4,272,148	6/1981	Knack, Jr.	439/455
4,382,647	5/1983	Paley	439/11 X
4,643,508	2/1987	Schaller	439/67 X
5,366,187	11/1994	Ishihara	439/446 X
5,380,219	1/1995	Klier	439/446

FOREIGN PATENT DOCUMENTS

959196 9/1982 U.S.S.R. 439/446

Primary Examiner—Joel Sincavage
Attorney, Agent, or Firm—Edward J. Timmer

[57] **CLAIM**

The ornamental design for a computer plug housing, as shown and described.

DESCRIPTION

FIG. 1 is a perspective view of the computer plug housing of the invention;

FIG. 2 is a front elevational view of the computer plug housing of FIG. 1 housing;

FIG. 3 is a top view of the computer plug housing of FIG. 1;

FIG. 4 is a rear elevational view of the computer plug housing of FIG. 1;

FIGS. 5 and 6 are side elevational views of the computer plug housing of FIG. 1;

FIG. 7 is a bottom view of the computer plug housing of FIG. 1; and,

FIG. 8 is a rear elevational view of another embodiment of the computer plug housing of the invention.

All other views of the second embodiment are the same as the first embodiment.

1 Claim, 3 Drawing Sheets

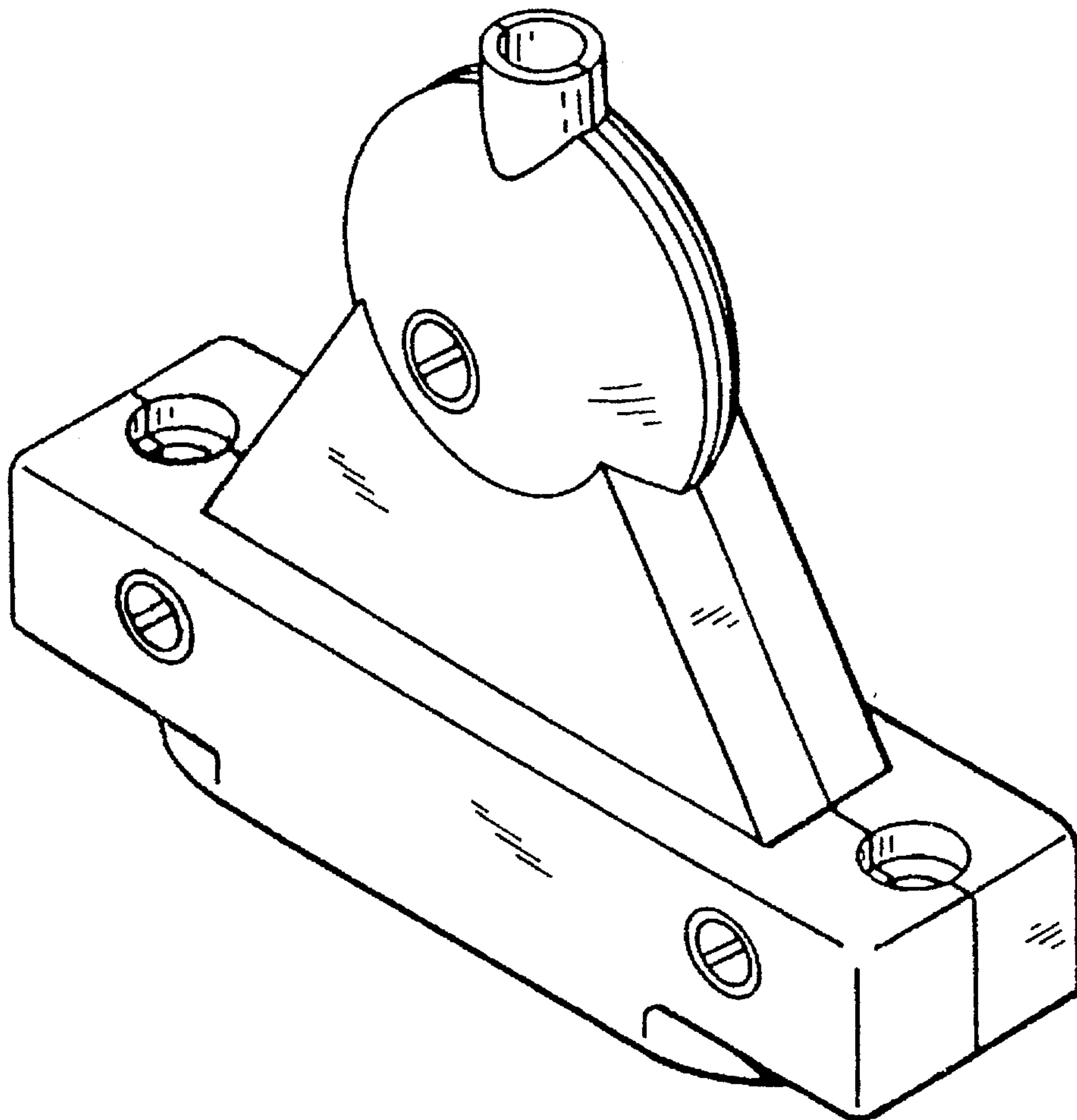


FIG. 1

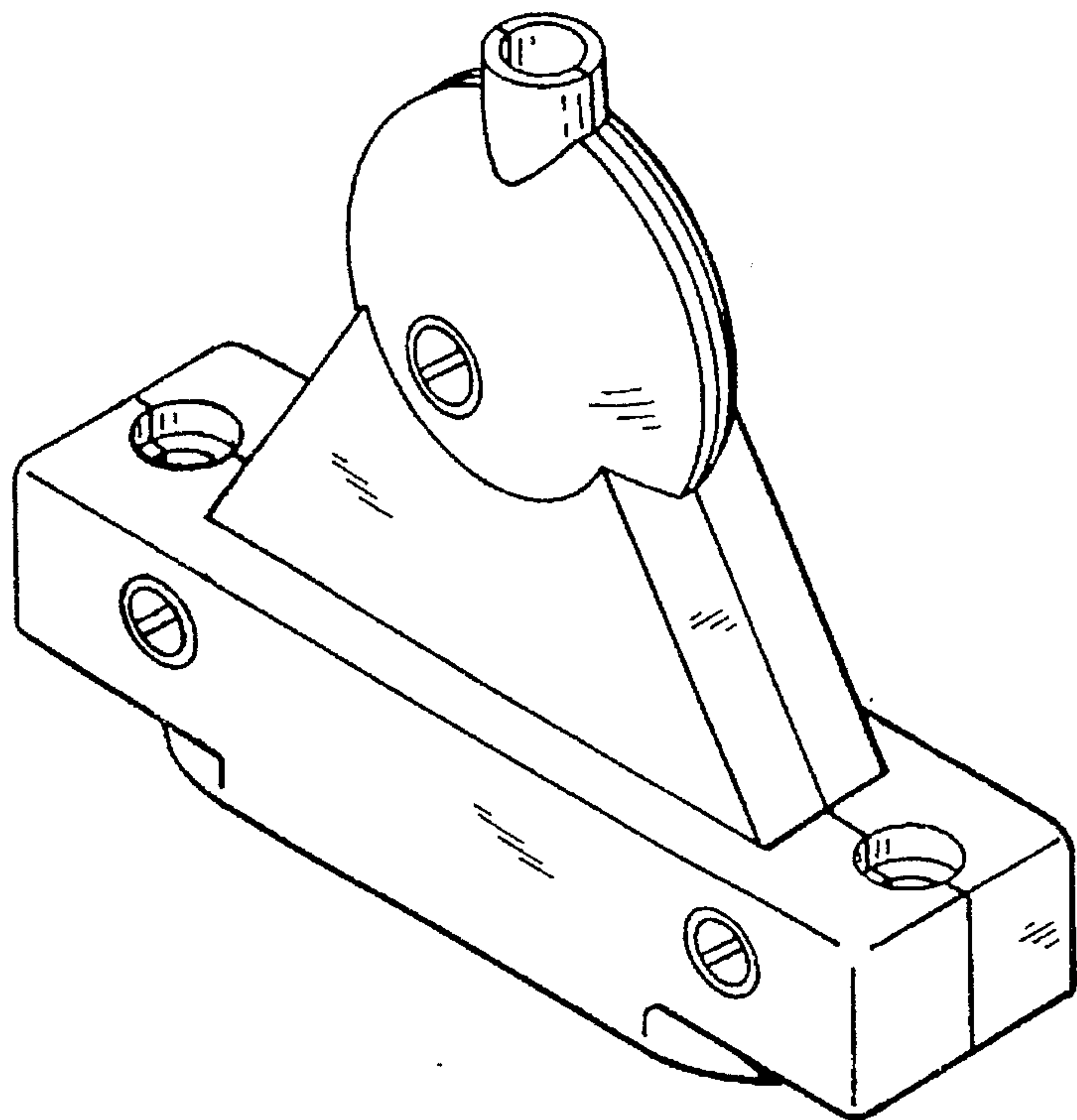


FIG. 2

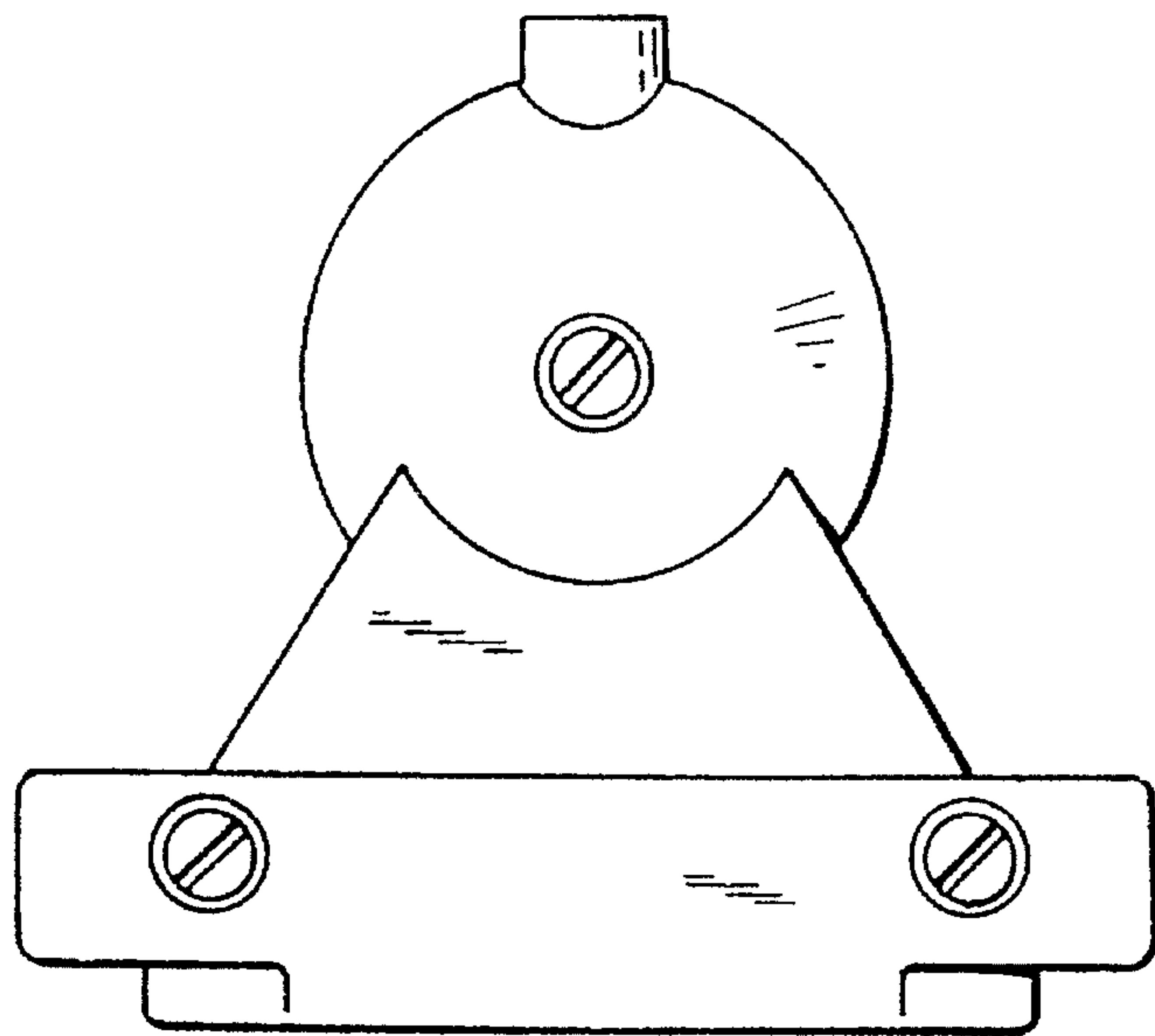


FIG. 3

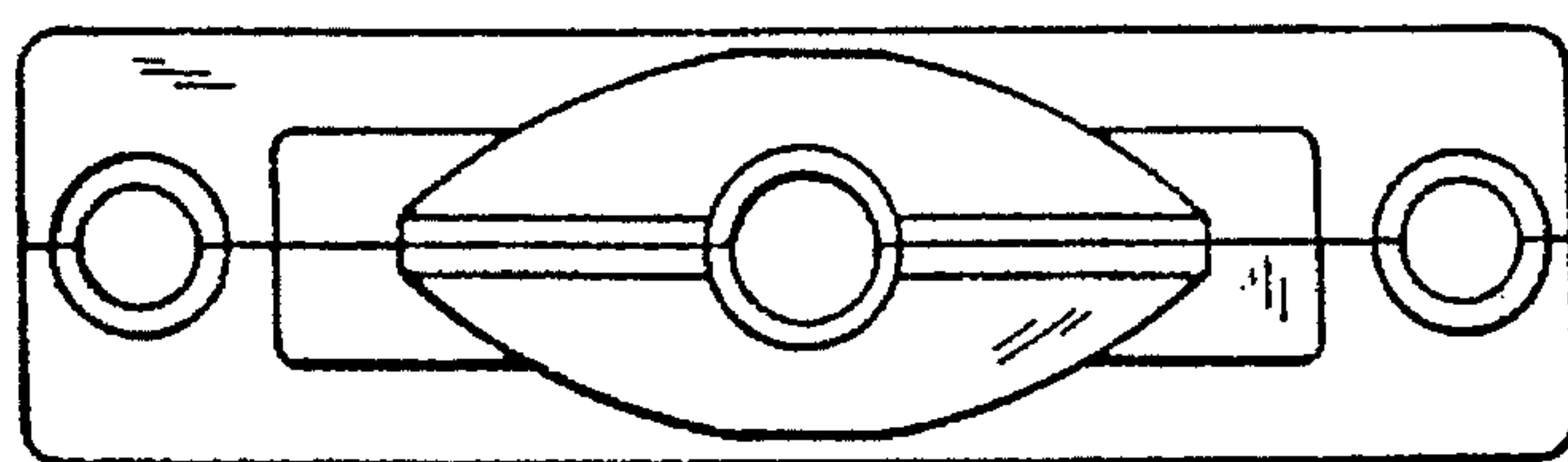


FIG. 4

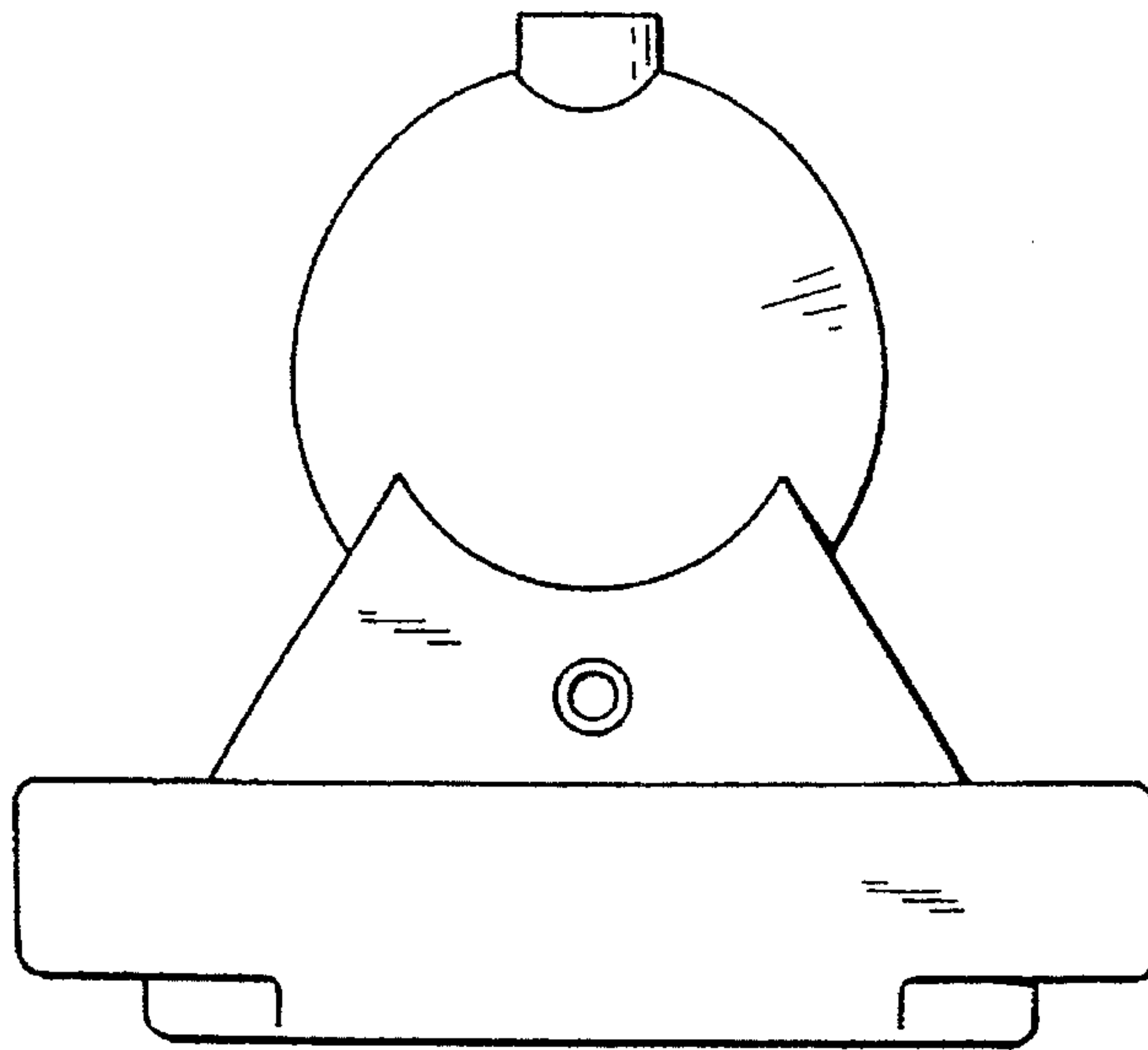


FIG. 5

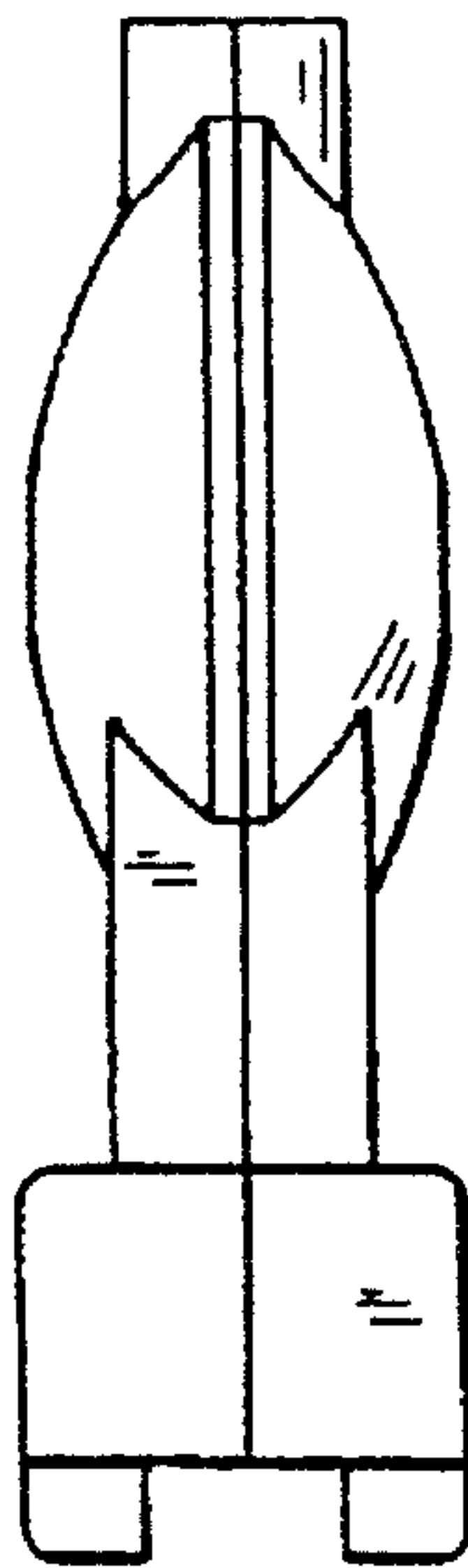


FIG. 6

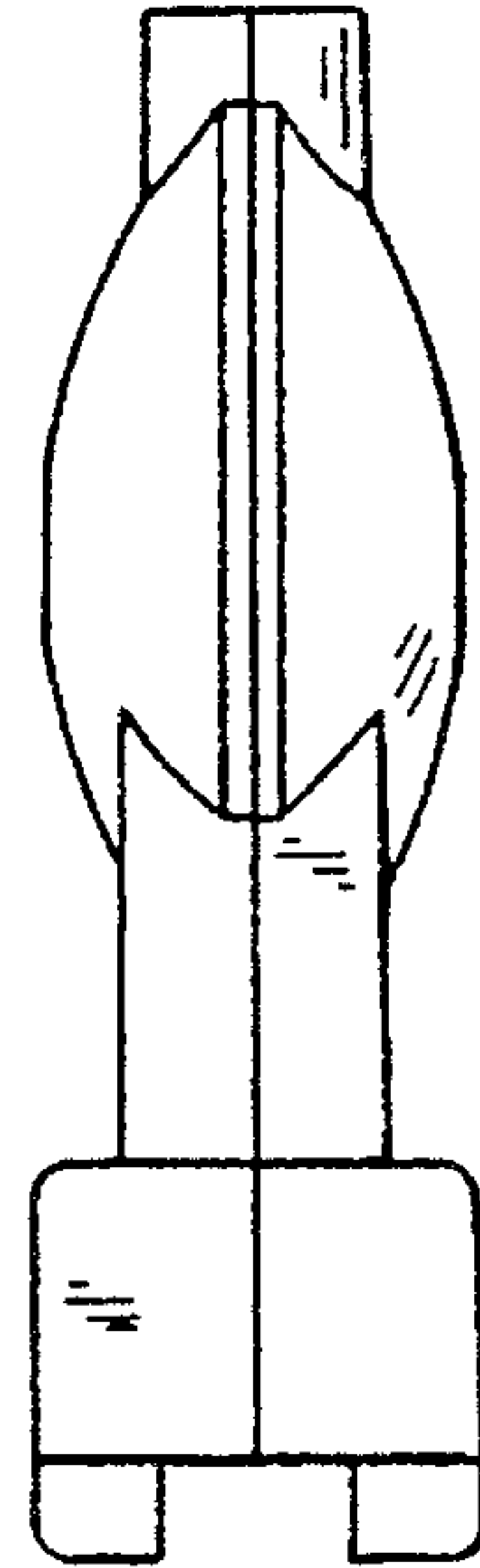


FIG. 7

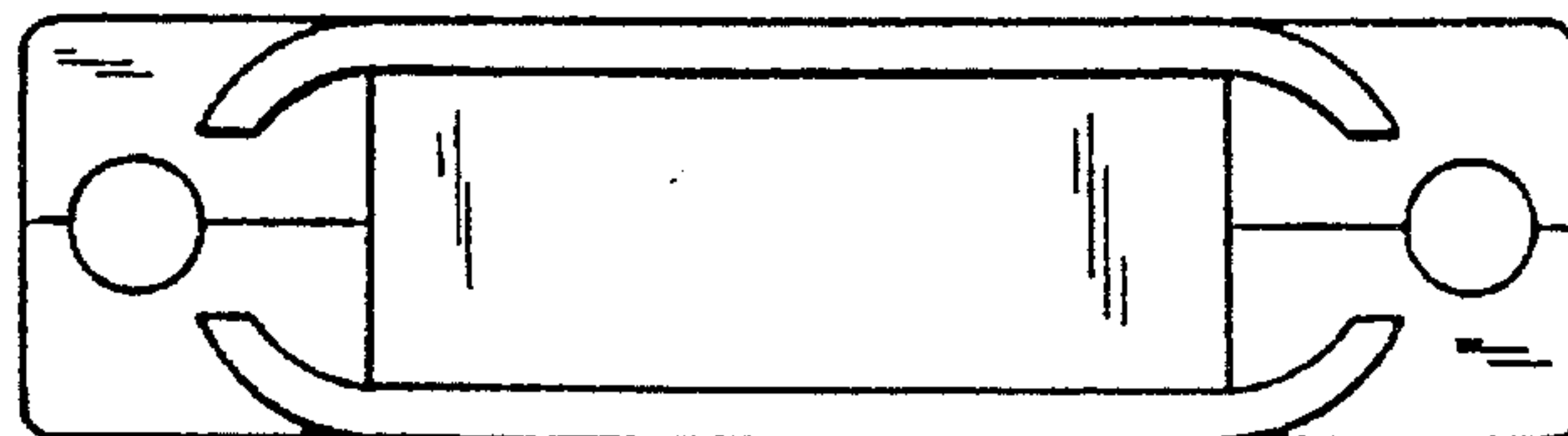


FIG. 8

