



US00D369586S

# United States Patent [19]

[11] Patent Number: **Des. 369,586**

Ocampo, Sr.

[45] Date of Patent: **\*\*May 7, 1996**

[54] **DASHBAND STORAGE CONTAINER**

[76] Inventor: **George Ocampo, Sr.**, 703 N. 11th St., Decatur, Ind. 46733

[\*\*] Term: **14 Years**

[21] Appl. No.: **14,088**

[22] Filed: **Oct. 12, 1993**

[52] U.S. Cl. .... **D12/145; D12/423; D99/34**

[58] Field of Search ..... **D13/423, 424, D13/421, 192; D99/28, 34, 36; 224/42.11, 42.42, 273, 175, 327, 329**

[56] **References Cited**

**U.S. PATENT DOCUMENTS**

D. 154,029	6/1949	Zilenfield et al. ....	D99/34
D. 175,230	7/1955	Paseka .....	D99/34
D. 177,913	6/1956	Jankura .....	D99/34
D. 245,773	9/1977	Davis .....	D12/423
D. 279,324	6/1985	Tanaka .....	D99/34
D. 283,939	5/1986	Saliba .....	D99/34
D. 292,354	10/1987	Seltzer et al. ....	D99/34
D. 310,307	9/1990	Carmichael .....	D99/28
D. 310,504	4/1990	Silcox .....	D99/36
4,518,099	5/1985	Makishima et al. ....	221/30

*Primary Examiner*—A. Hugo Word

*Assistant Examiner*—M. Brown

*Attorney, Agent, or Firm*—David L. Baker; Rhodes & Ascolillo

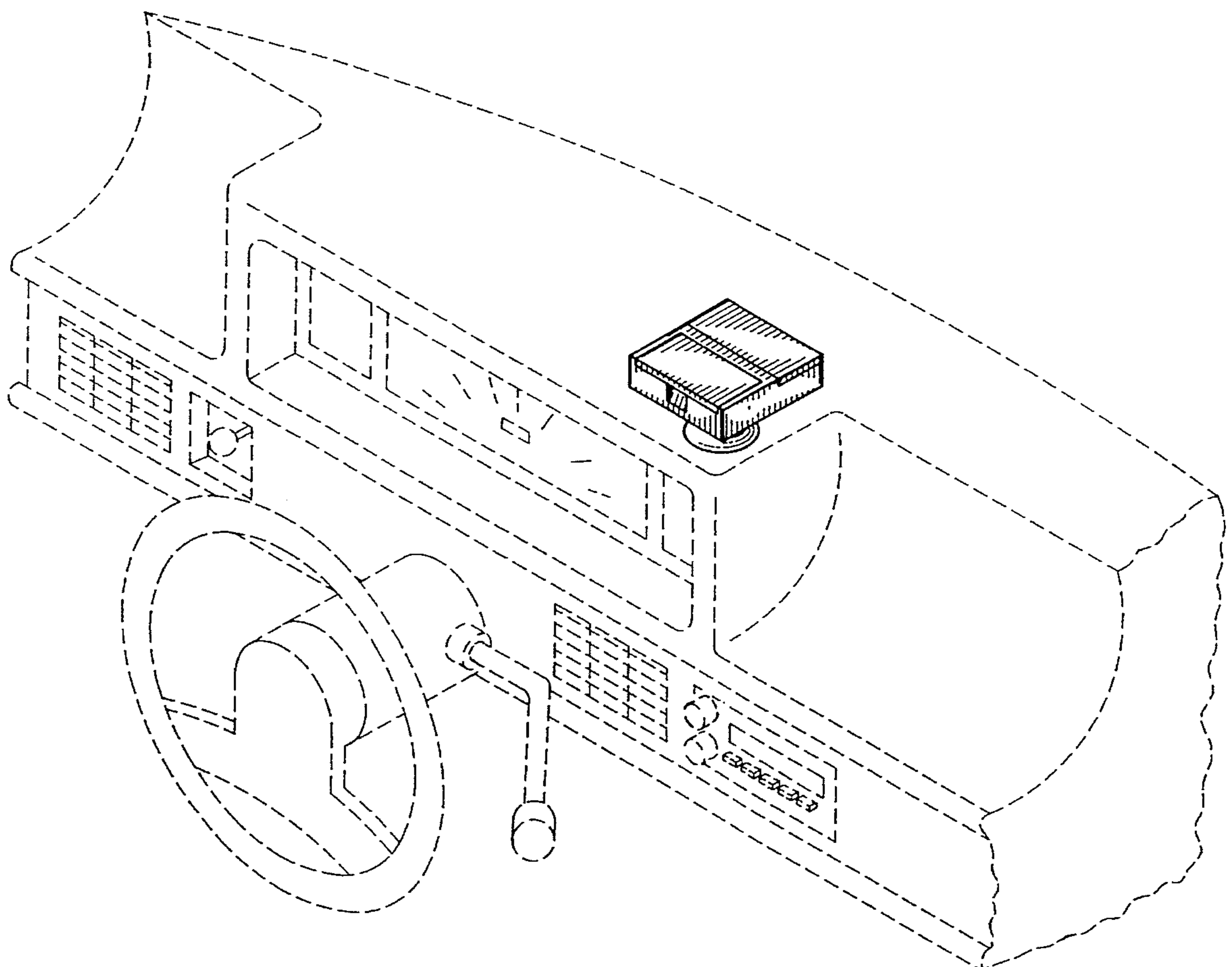
[57] **CLAIM**

The ornamental design for a dashboard storage container, as shown and described.

**DESCRIPTION**

FIG. 1 is a perspective view of a dashboard storage container showing my new design therefor. The automotive dashboard and control sector shown in broken line drawings are for purposes of illustration only and form no part of the design; FIG. 2 is a top plan view; FIG. 3 is a rear elevational view; FIG. 4 is a front elevational view; FIG. 5 is a bottom plan view; FIG. 6 is a left side elevational view; FIG. 7 is a right side elevational view; and, FIG. 8 is an exploded cross-sectional view taken along line 8—8 in FIG. 4 the broken line drawing representing a finger is for purposes of illustration only and forms no part of my design.

**1 Claim, 4 Drawing Sheets**



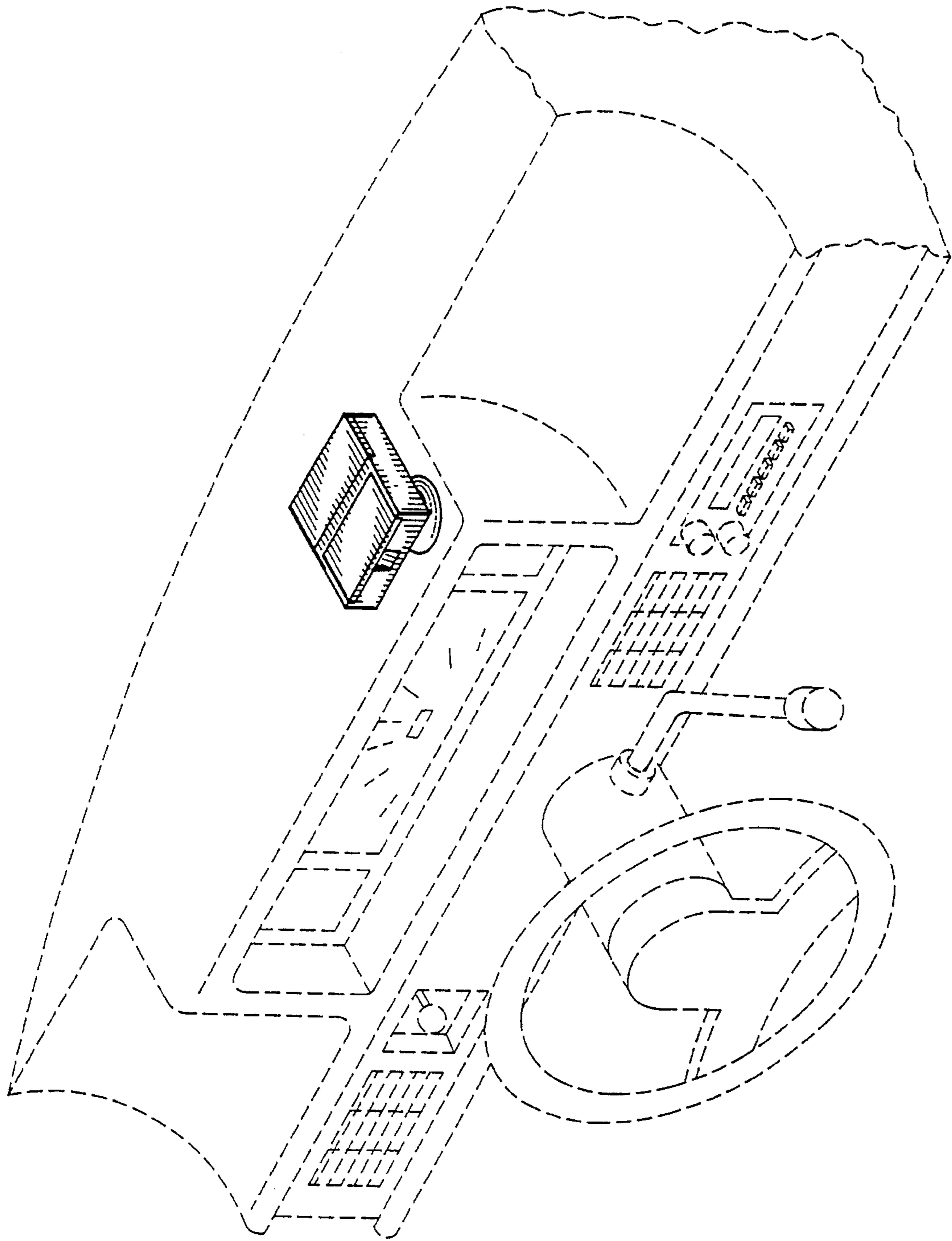


FIGURE 1

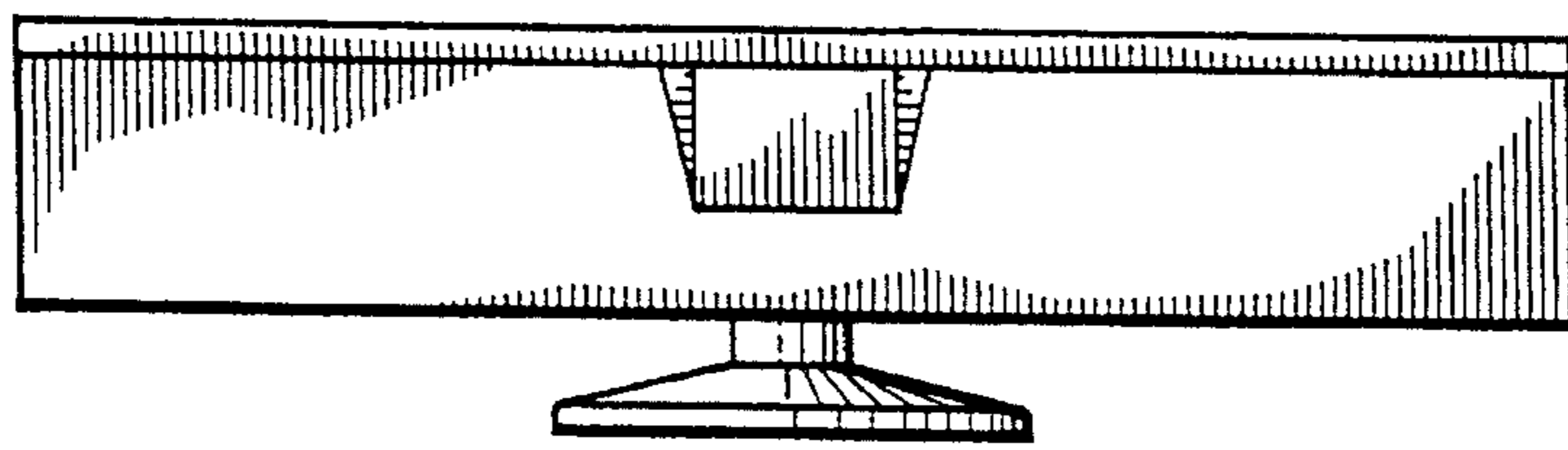


FIGURE 3

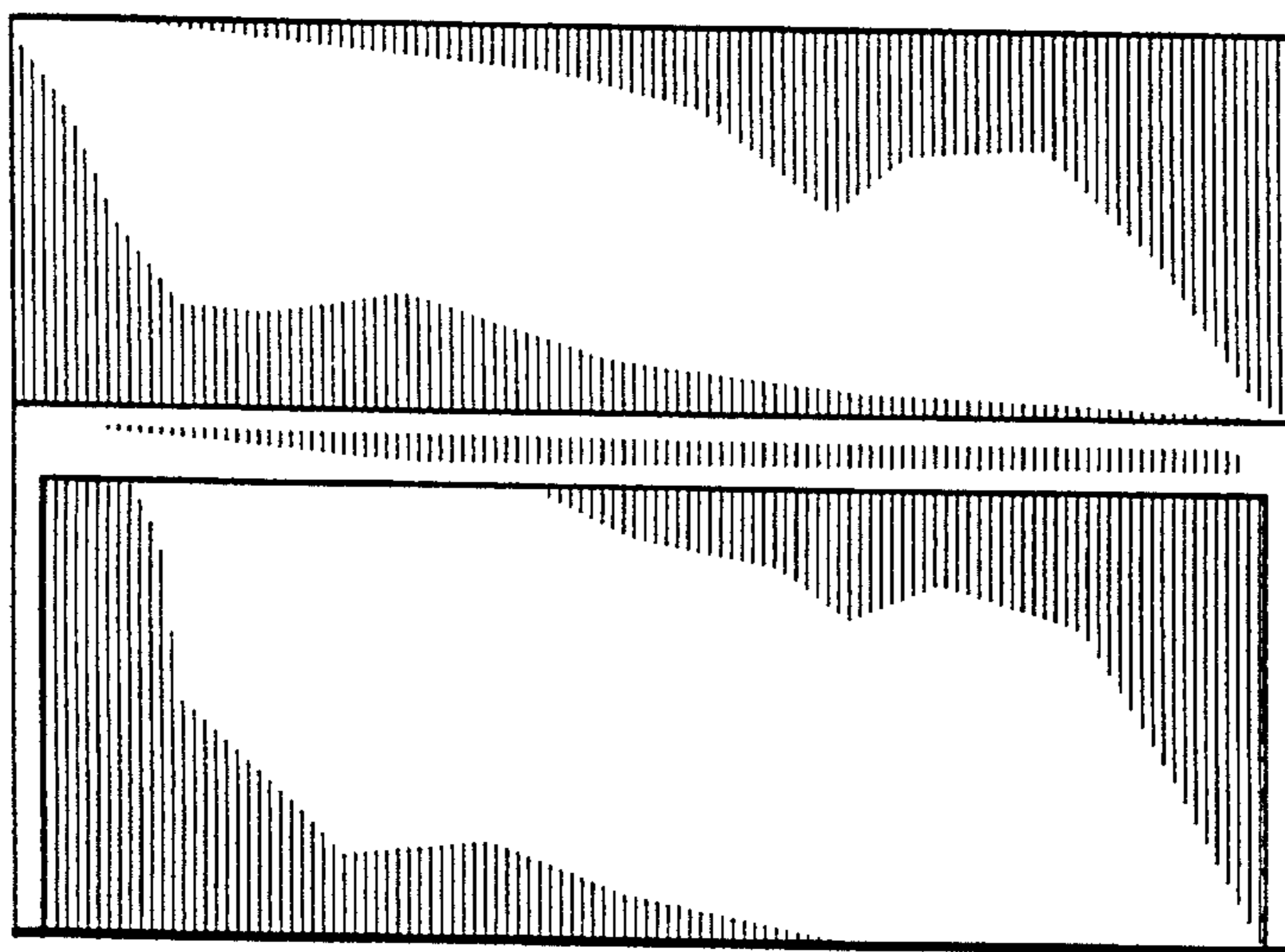


FIGURE 2

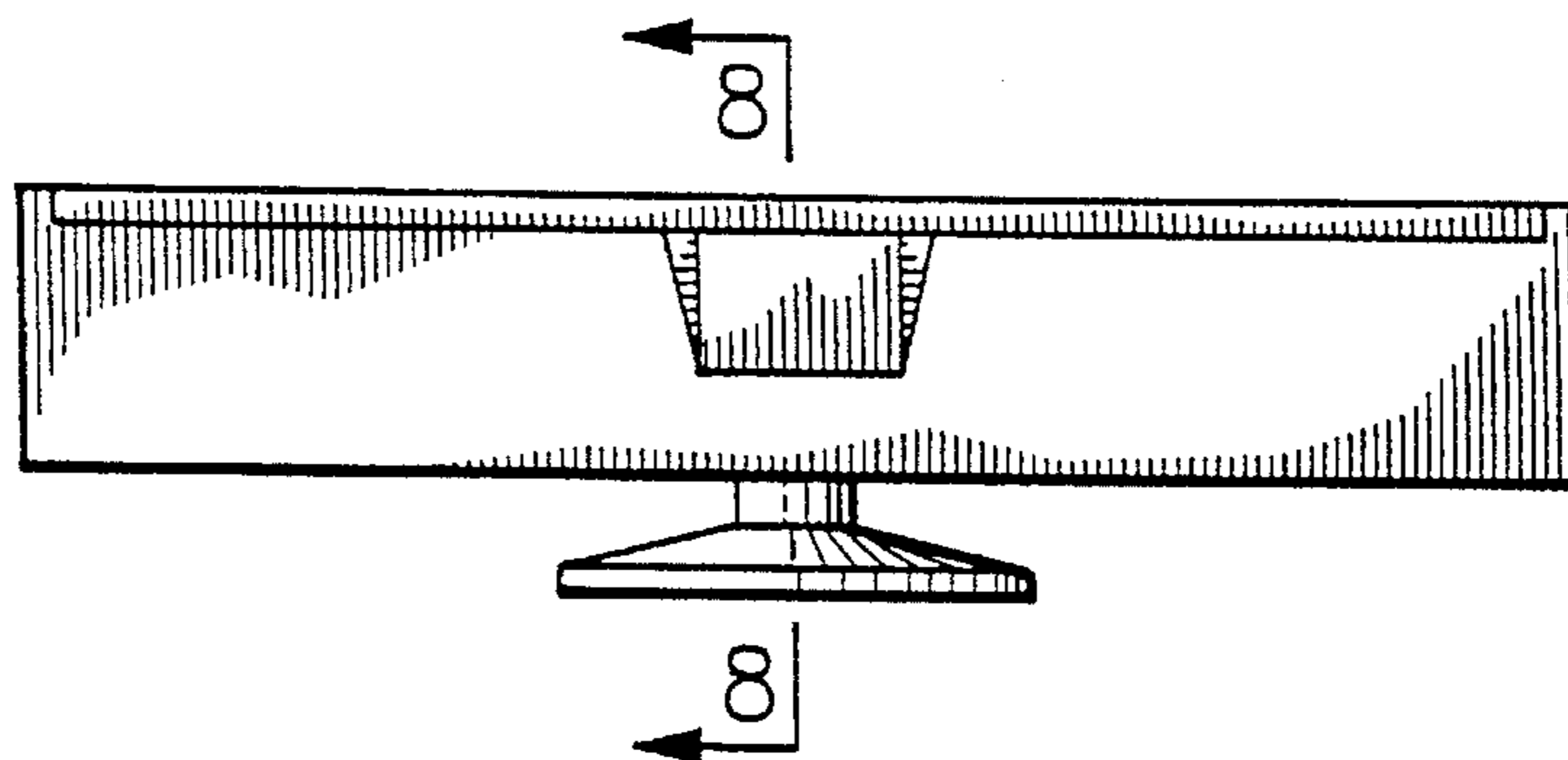


FIGURE 4

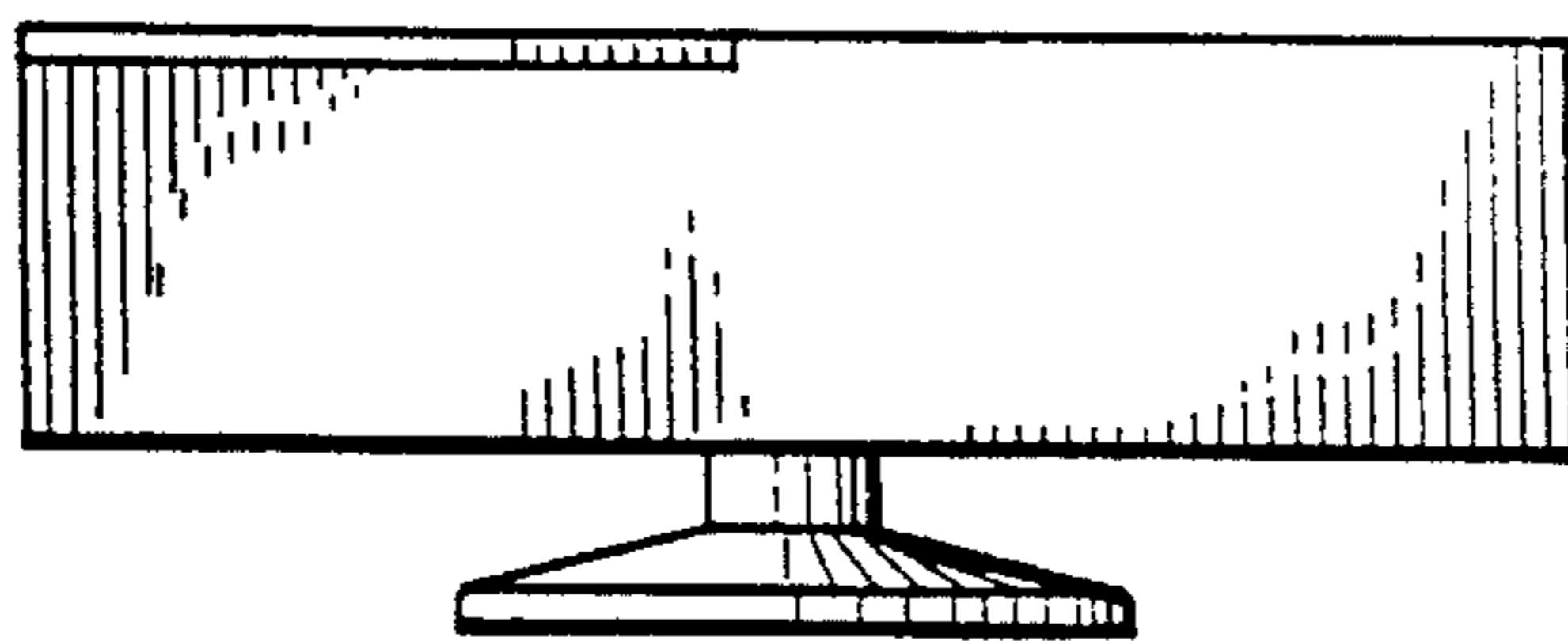


FIGURE 6

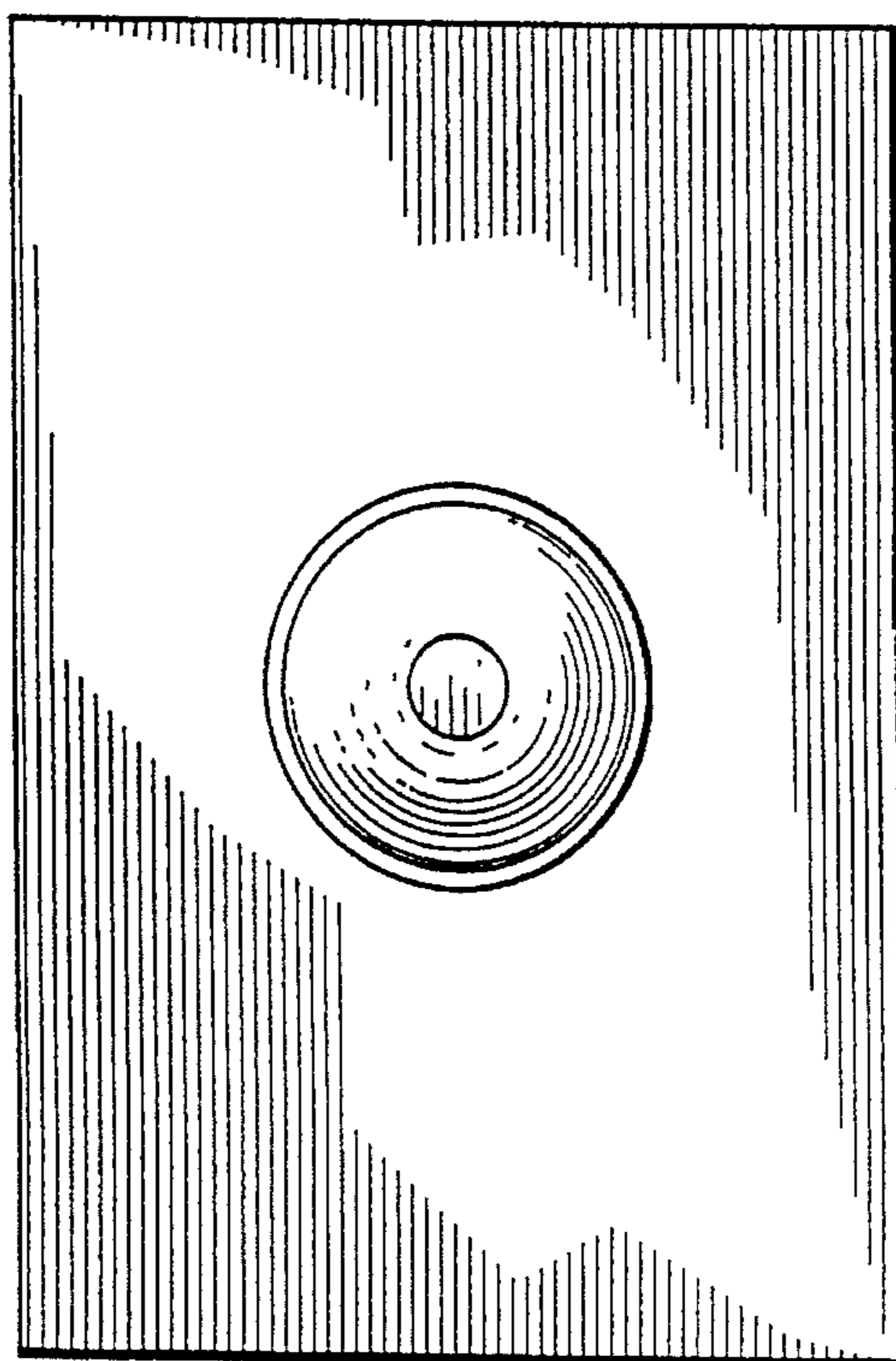


FIGURE 5

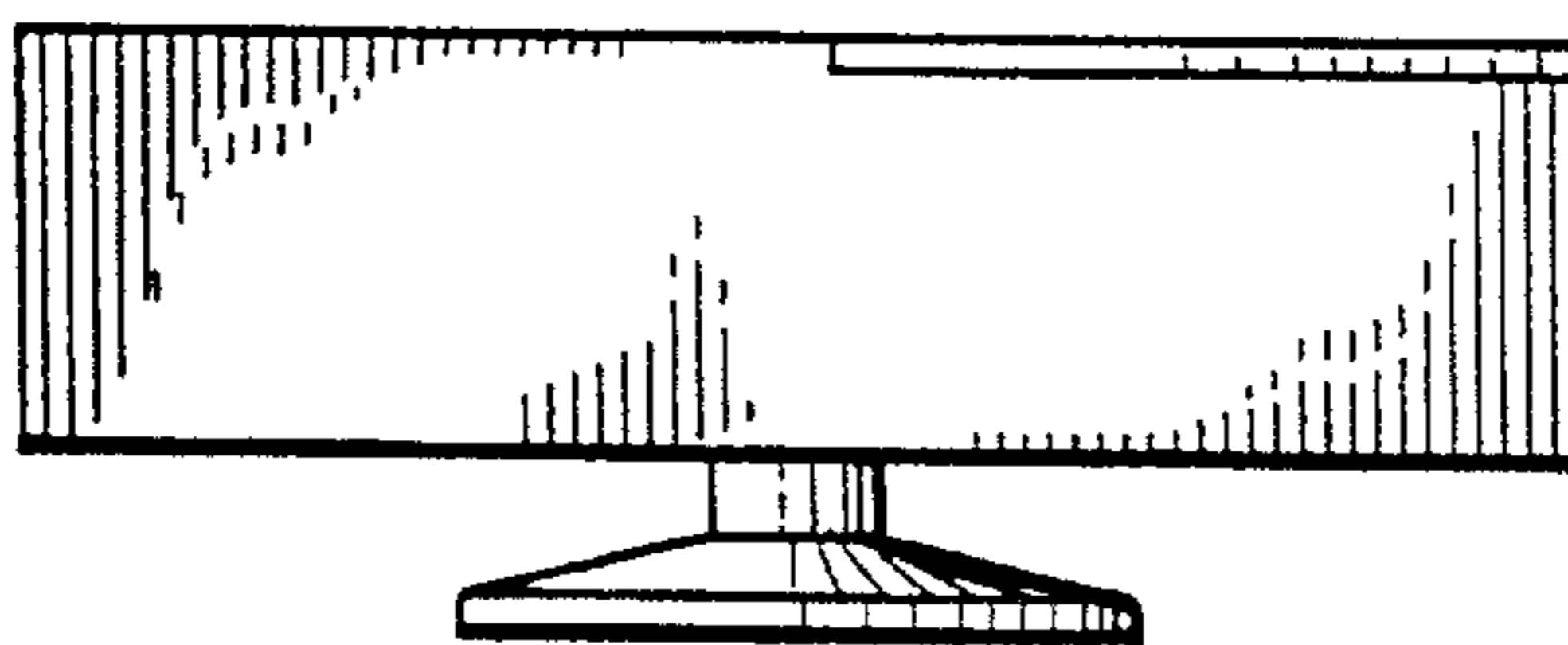


FIGURE 7

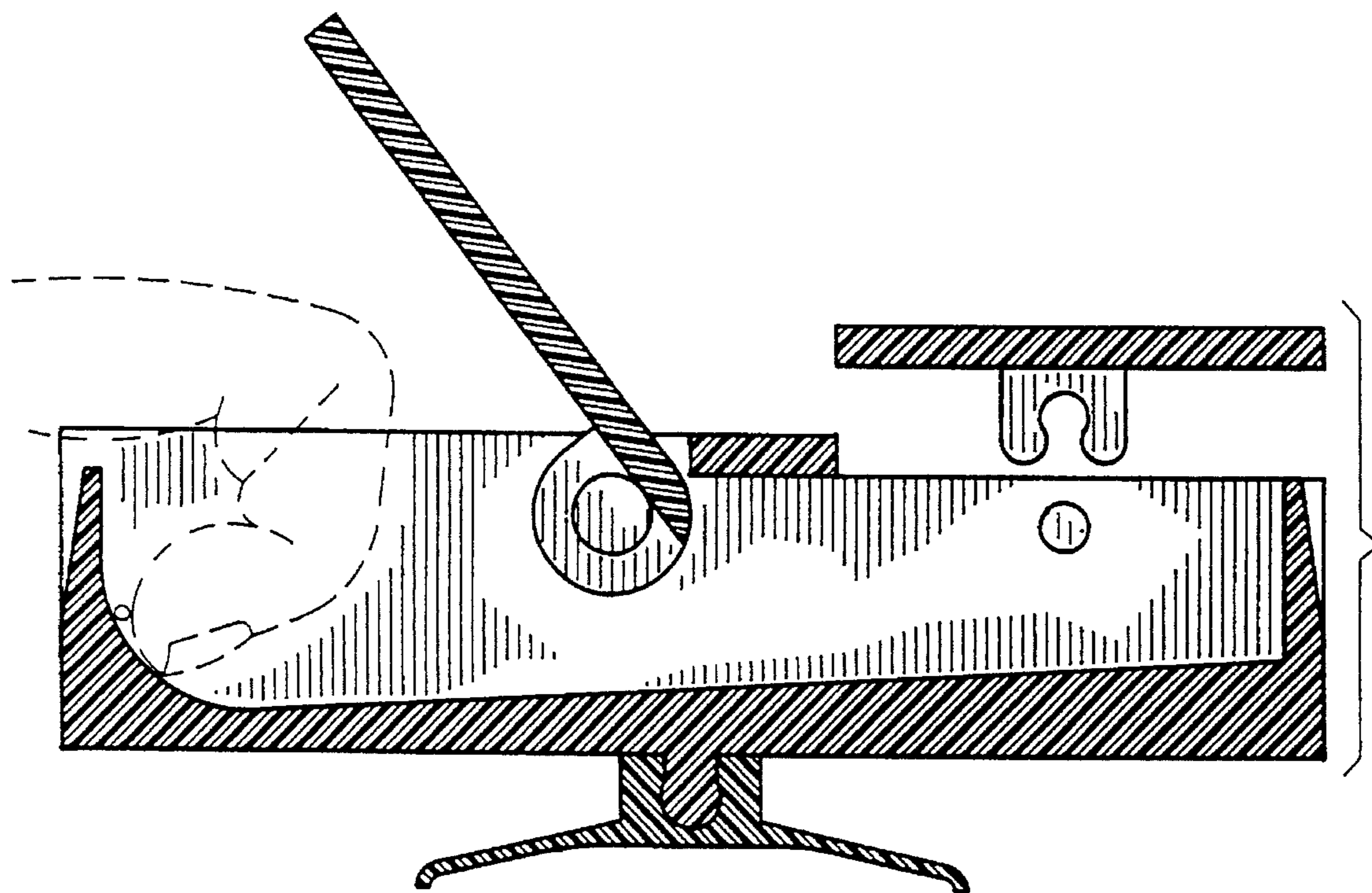


FIGURE 8