



US00D369585S

United States Patent [19]
Gregory

[11] **Patent Number:** **Des. 369,585**
[45] **Date of Patent:** ****May 7, 1996**

[54] **BICYCLE RACK**

Attorney, Agent, or Firm—Richard C. Litman

[76] Inventor: **John K. Gregory**, 8465 Ramsey Rd.,
Gold Hill, Oreg. 97525

[57] **CLAIM**

[**] Term: **14 Years**

The ornamental design for a bicycle rack, as shown and described.

[21] Appl. No.: **32,073**

DESCRIPTION

[22] Filed: **Nov. 29, 1994**

[52] **U.S. Cl.** **D12/408**

[58] **Field of Search** D12/408, 115;
224/536-542, 917.5, 924, 504-510

FIG. 1 is a an environmental perspective view of a bicycle rack showing my new design;

FIG. 2 is a front elevational view thereof;

FIG. 3 is a rear elevational view thereof;

FIG. 4 is a top view thereof;

FIG. 5 is a left side elevational view with the right side being a mirror image thereof; and,

FIG. 6 is a bottom view thereof.

[56] **References Cited**

U.S. PATENT DOCUMENTS

4,676,414	1/1987	Deguevara	224/924
5,443,189	8/1995	Herschfeld	234/537
5,449,101	9/1995	VanDuser	224/537

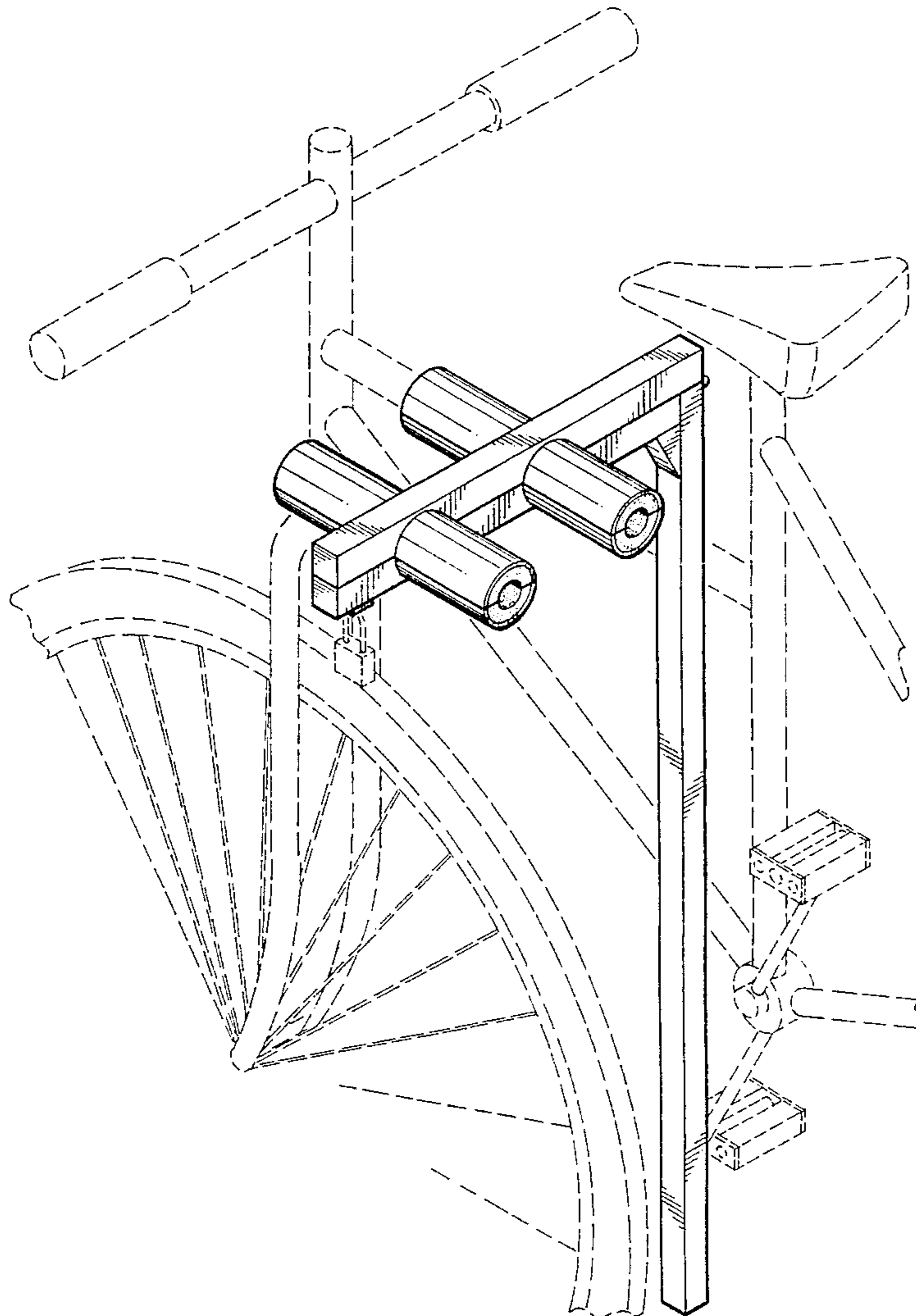
The broken lines showing portions of a bicycle are for illustrative purposes only and form no part of the claimed design.

OTHER PUBLICATIONS

Performance Bicycle Shop, Spring 1994, p. 71, The XPORT performance hitch mount bicycle rack.

Primary Examiner—Melody N. Brown

1 Claim, 4 Drawing Sheets



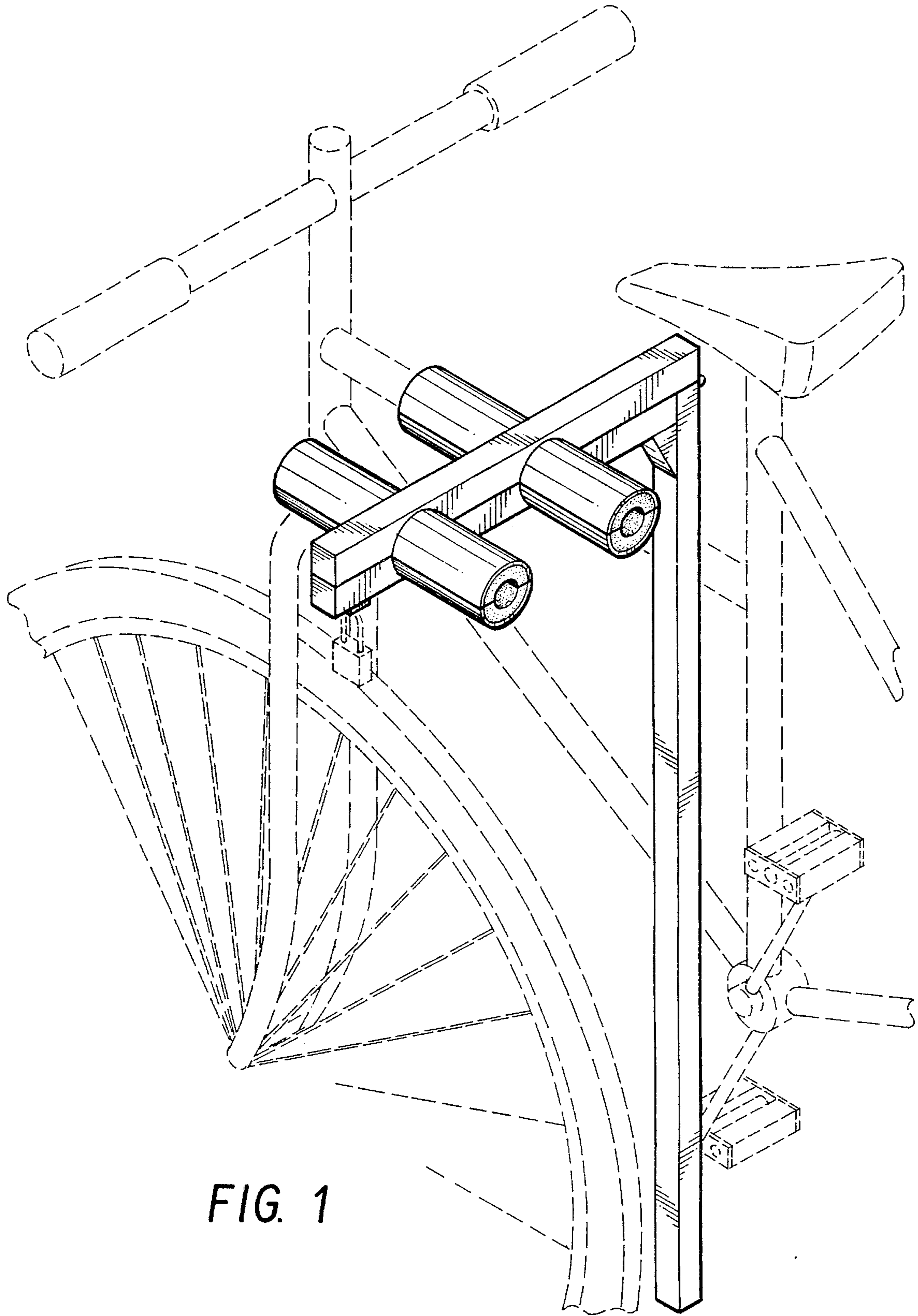


FIG. 1

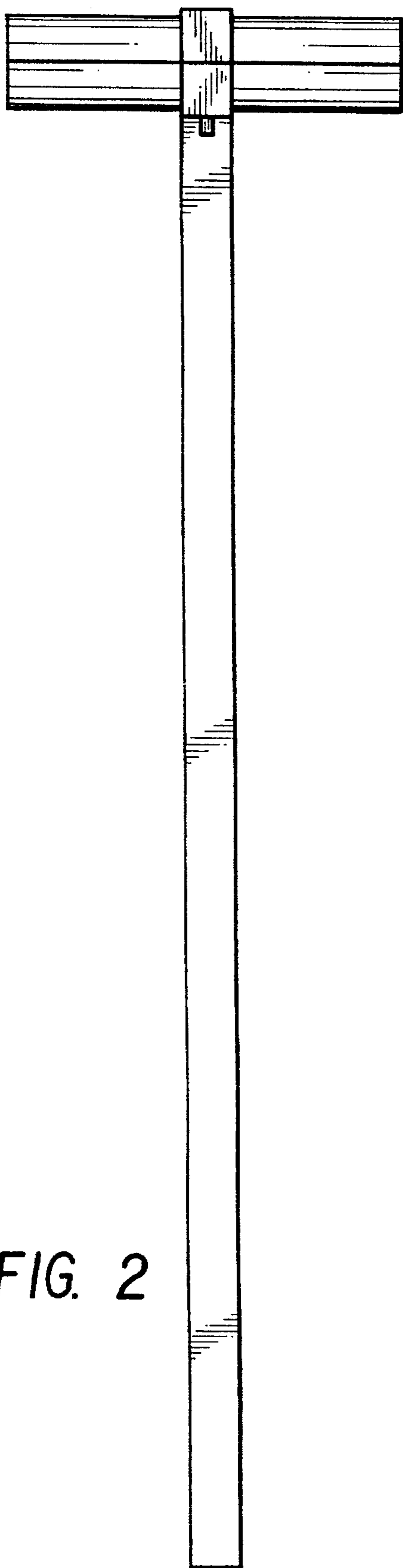


FIG. 2

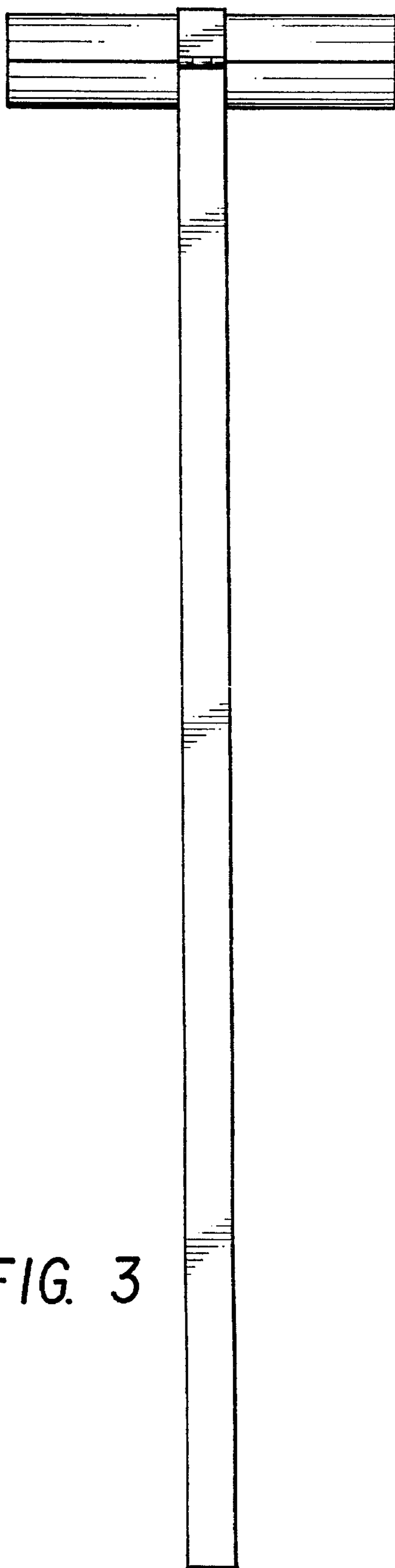


FIG. 3

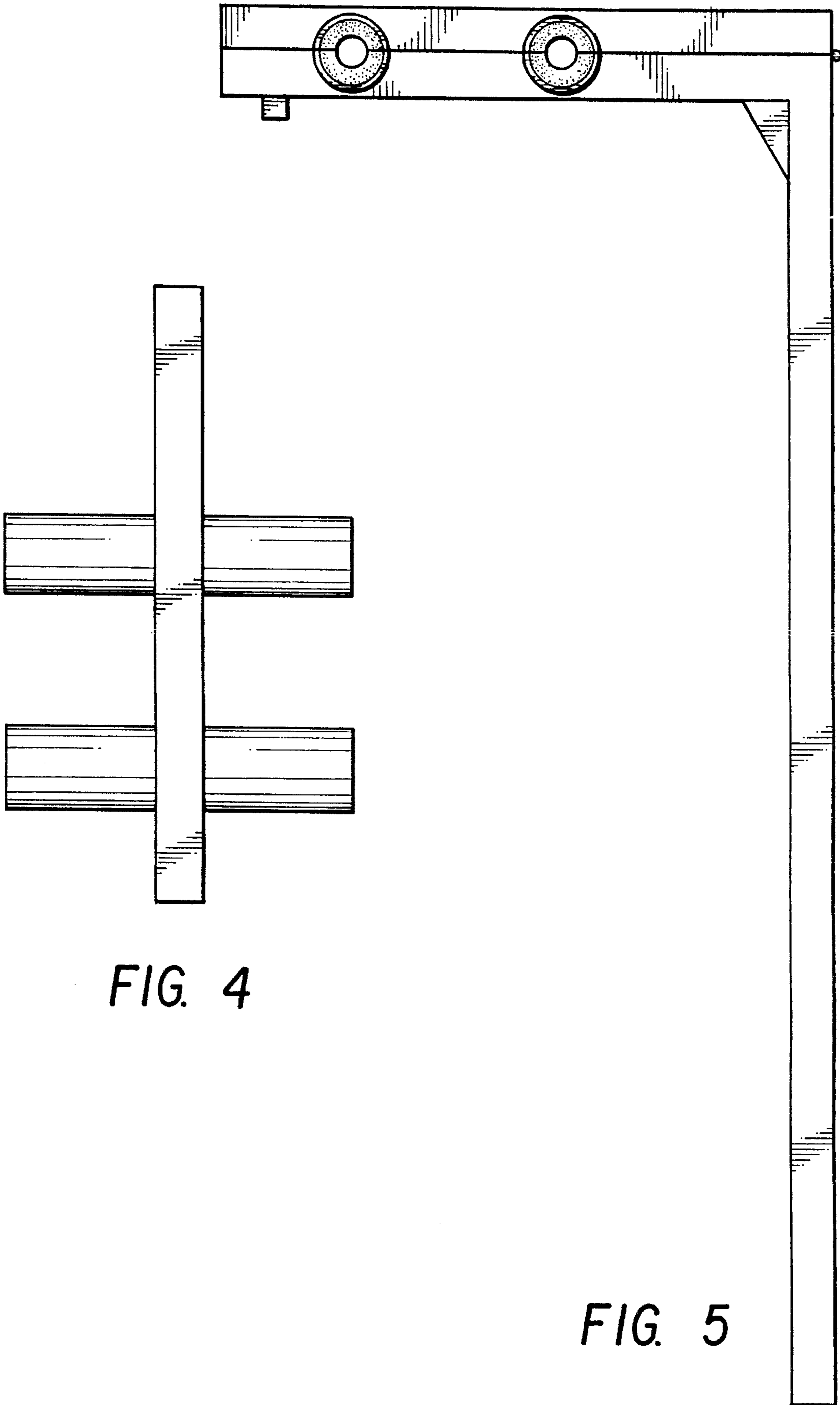


FIG. 4

FIG. 5

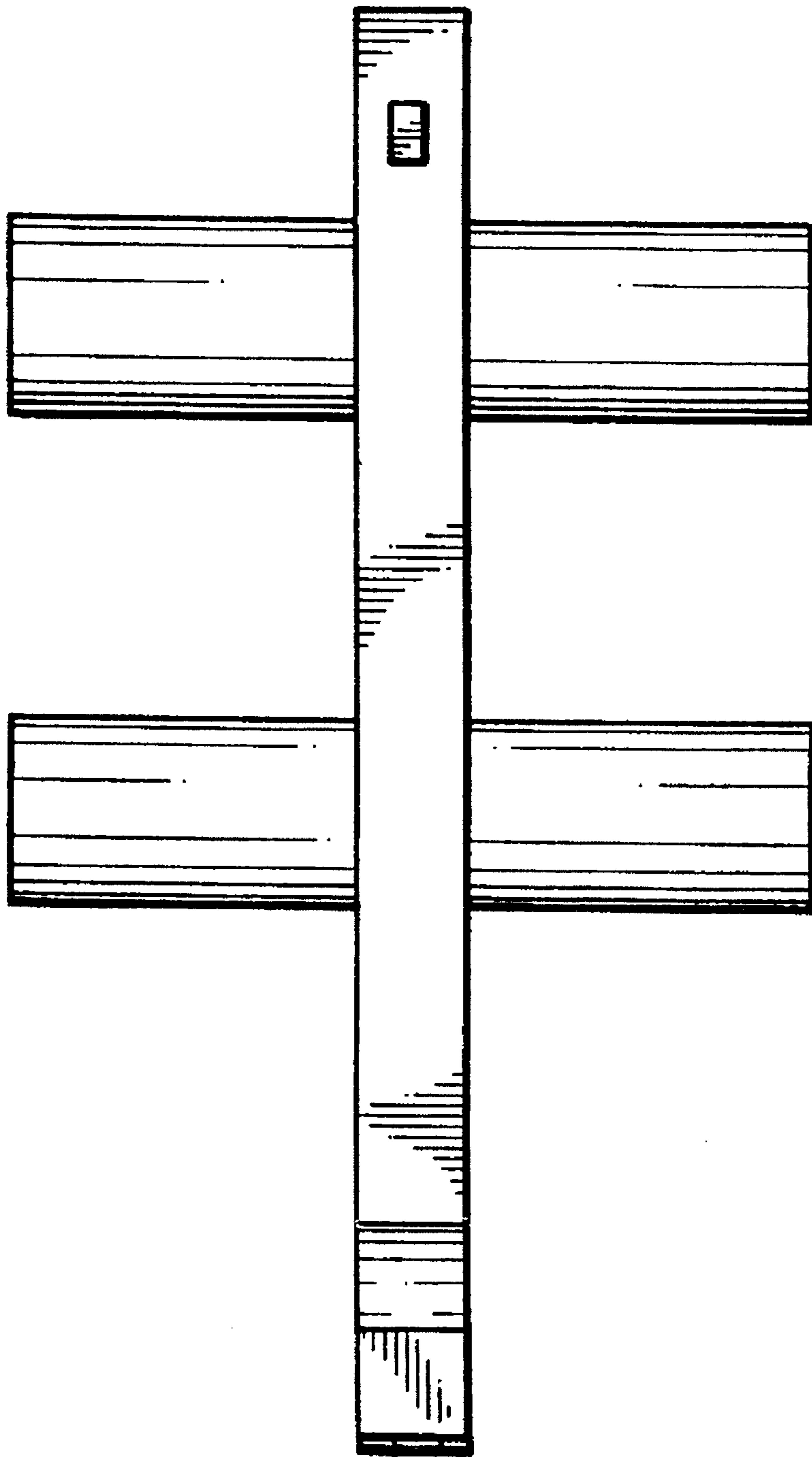


FIG. 6