



US00D369582S

# United States Patent [19]

McCoy et al.

[11] Patent Number: **Des. 369,582**

[45] Date of Patent: **\*\*May 7, 1996**

[54] **HITCH BAR**

[75] Inventors: **Richard McCoy, Granger; Thomas W. Lindenman, South Bend, both of Ind.**

[73] Assignee: **Reese Products, Inc., Elkhart, Ind.**

[\*\*] Term: **14 Years**

[21] Appl. No.: **37,430**

[22] Filed: **Apr. 12, 1995**

[52] U.S. Cl. .... **D12/162**

[58] Field of Search ..... **D12/162; D8/381; 280/490.1**

[56] **References Cited**

**U.S. PATENT DOCUMENTS**

D. 142,882	11/1945	Martin	.....	D12/162
D. 358,321	5/1995	Tayar	.....	D8/381
2,549,734	4/1951	White	.....	280/490.1 X
3,664,686	5/1972	Anderson	.....	280/490.1
4,033,601	7/1977	Lindahl et al.	..	

**FOREIGN PATENT DOCUMENTS**

594646	3/1960	Canada	.....	280/490.1
1208344	10/1970	United Kingdom	.....	280/490.1

*Primary Examiner*—Alan P. Douglas  
*Assistant Examiner*—Cathrin B. Matta  
*Attorney, Agent, or Firm*—King and Schickli

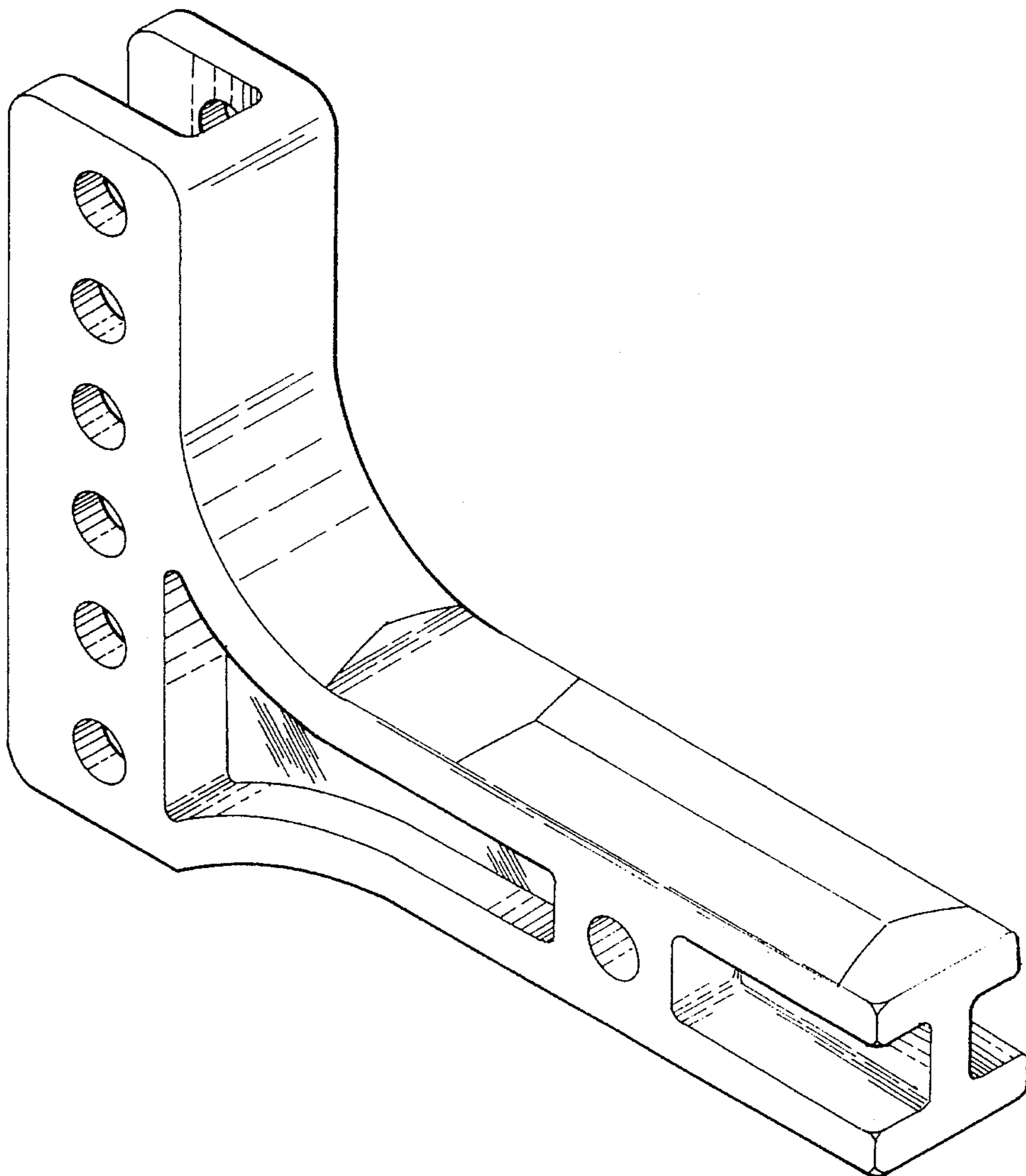
[57] **CLAIM**

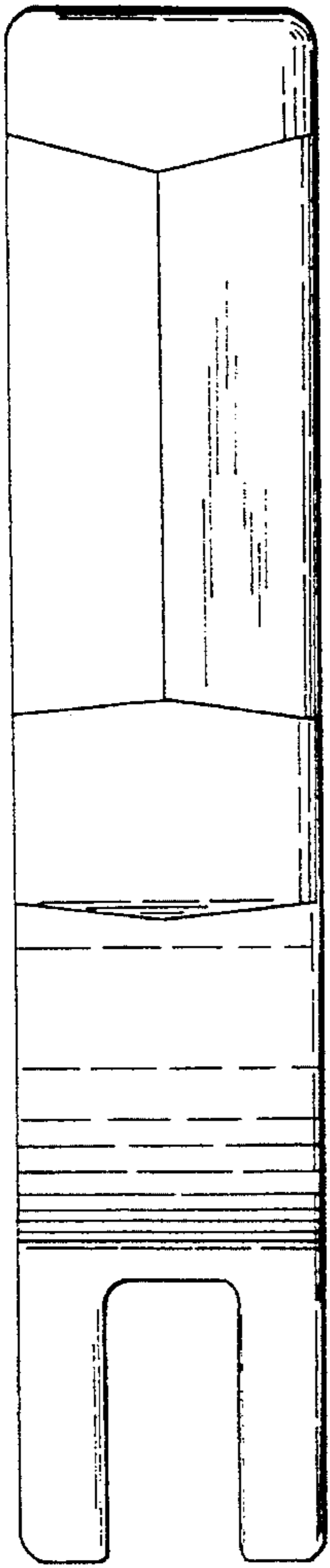
The ornamental design for a hitch bar, as shown and described.

**DESCRIPTION**

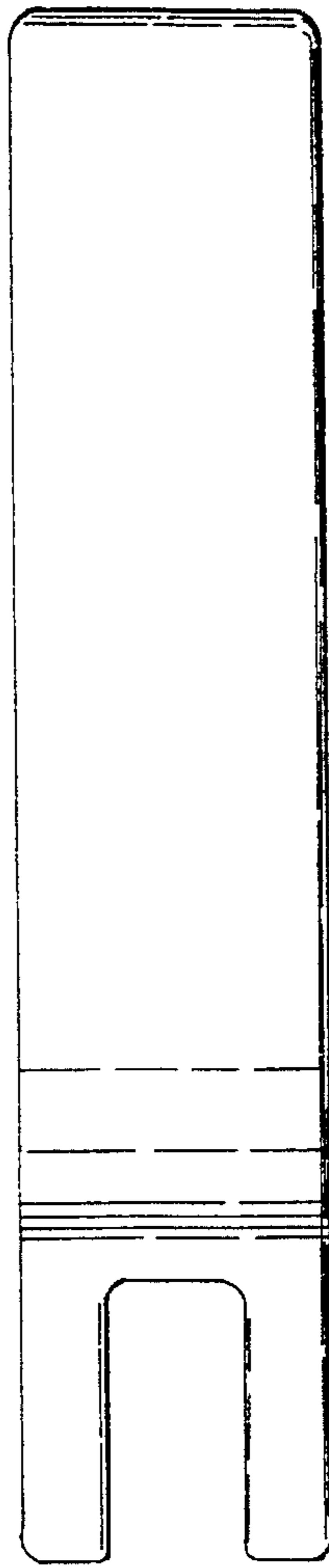
FIG. 1 is a perspective view of the hitch bar of the present invention;  
FIG. 2 is a rear elevational view thereof;  
FIG. 3 is a front elevational view thereof;  
FIG. 4 is a left side elevational view, the right side being a mirror image thereof;  
FIG. 5 is a top plan view thereof; and,  
FIG. 6 is a bottom plan view thereof.

**1 Claim, 2 Drawing Sheets**

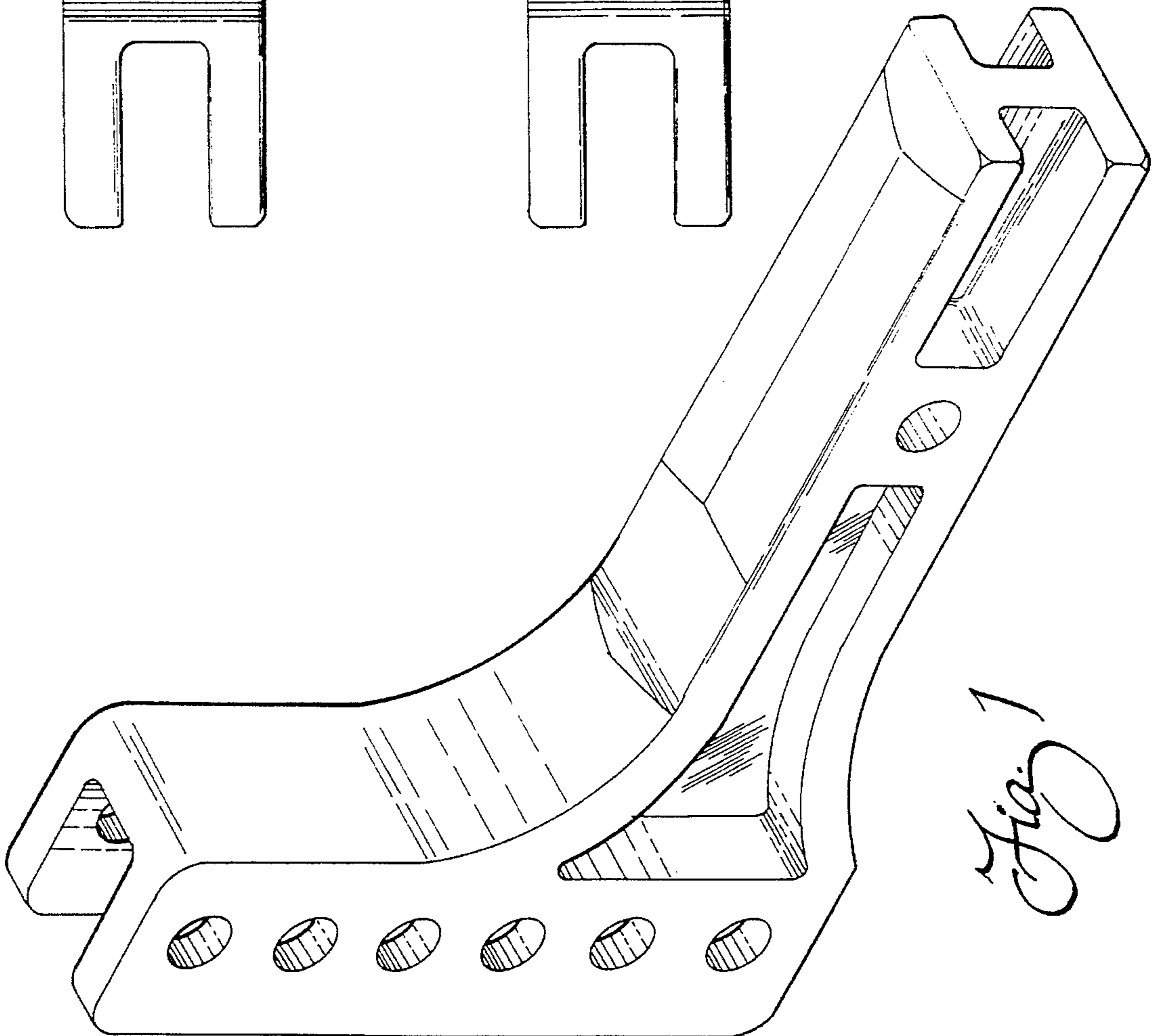




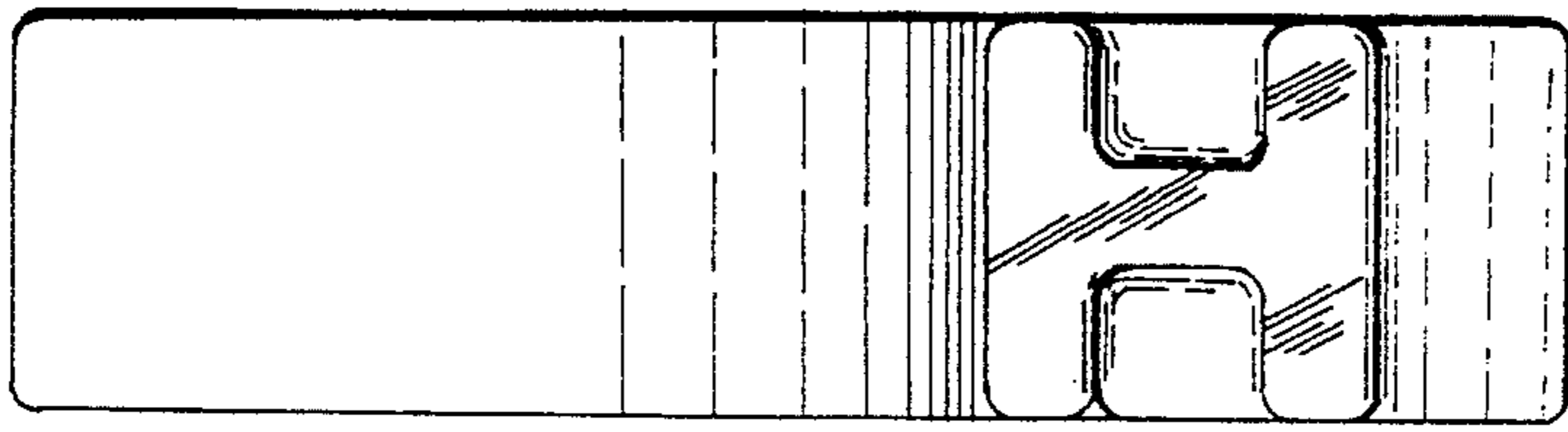
*Fig. 5*



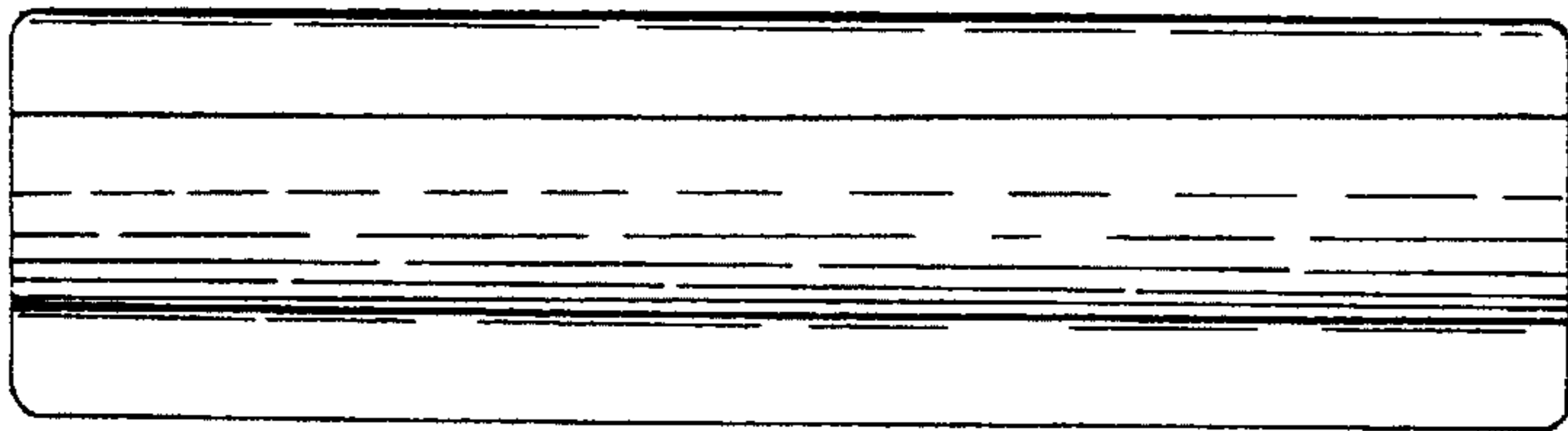
*Fig. 6*



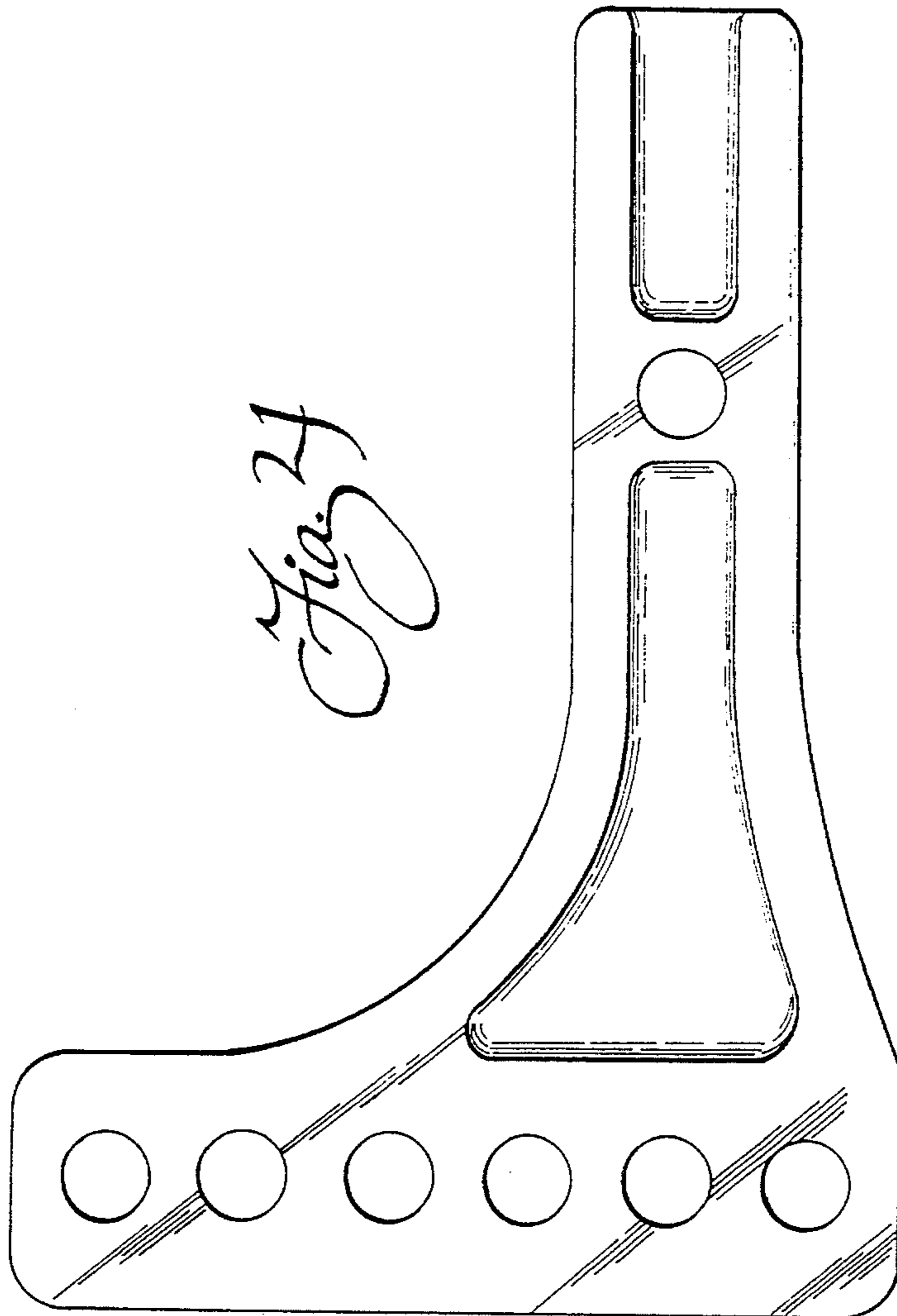
*Fig. 1*



*Fig. 2*



*Fig. 3*



*Fig. 24*