



US00D369581S

United States Patent [19]

McCoy et al.

[11] Patent Number: **Des. 369,581**

[45] Date of Patent: ****May 7, 1996**

[54] CURVED HITCH BAR

[75] Inventors: **Richard McCoy, Granger; Thomas W. Lindenman, South Bend, both of Ind.**

[73] Assignee: **Reese Products, Inc., Elkhart, Ind.**

[**] Term: **14 Years**

[21] Appl. No.: **37,429**

[22] Filed: **Apr. 12, 1995**

[52] U.S. Cl. **D12/162**

[58] Field of Search **D12/162; D8/381; 280/490.1**

[56] References Cited

U.S. PATENT DOCUMENTS

D. 142,882	11/1945	Martin	D12/162
D. 358,321	5/1995	Tayar	D8/381
2,549,734	4/1951	White	280/490.1 X
3,664,686	5/1972	Anderson	280/490.1
4,033,601	7/1977	Lindahl et al. .	

FOREIGN PATENT DOCUMENTS

594646	3/1960	Canada	280/490.1
1208344	10/1970	United Kingdom	280/490.1

Primary Examiner—Alan P. Douglas
Assistant Examiner—Cathrin B. Matta
Attorney, Agent, or Firm—King and Schickli \$

[57] CLAIM

The ornamental design for a curved hitch bar, as shown and described.

DESCRIPTION

FIG. 1 is a perspective view of the hitch bar of the present invention;

FIG. 2 is a rear elevational view thereof;

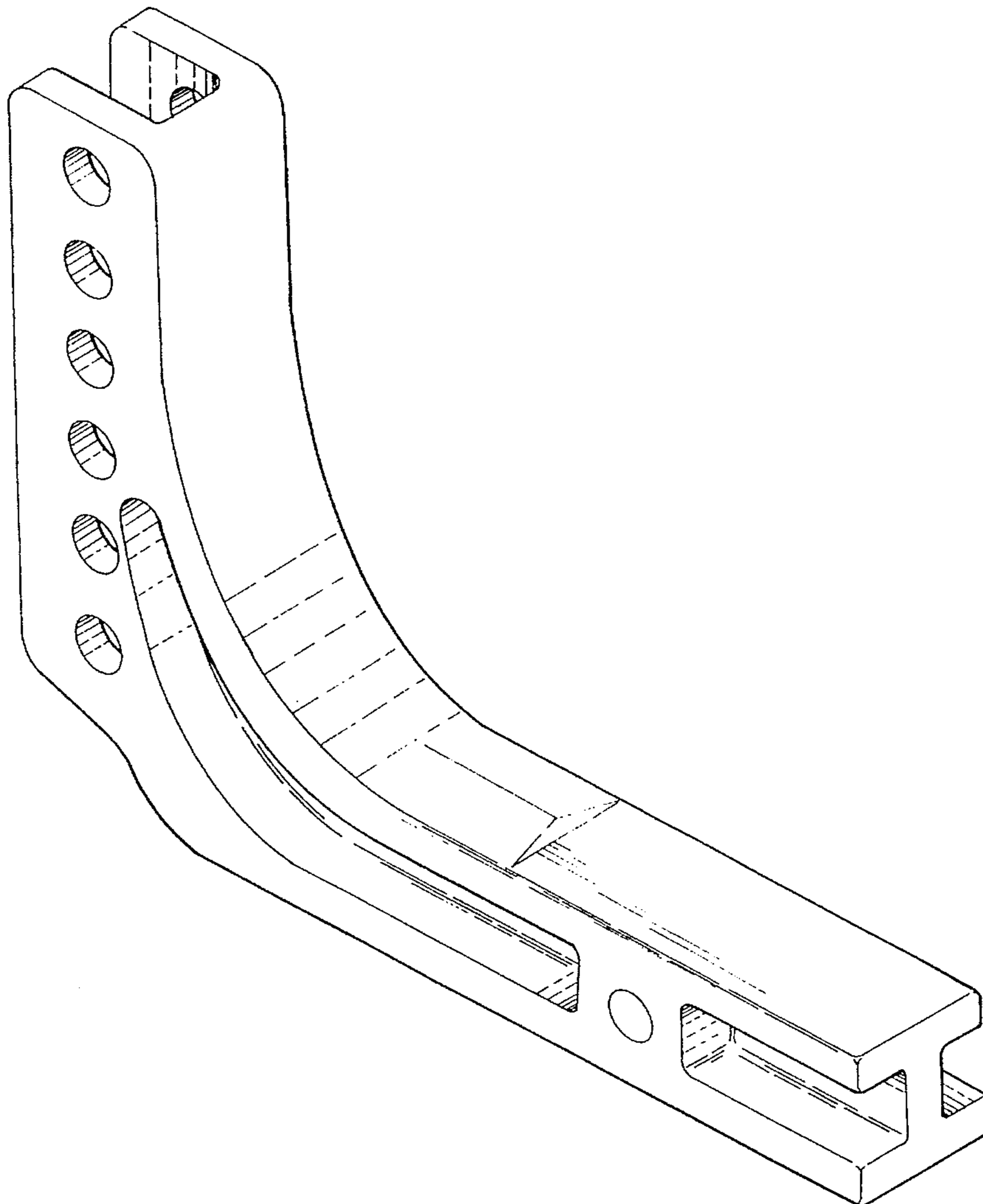
FIG. 3 is a front elevational view thereof;

FIG. 4 is a left side elevational view, the right side being a mirror image thereof;

FIG. 5 is a top plan view thereof; and,

FIG. 6 is a bottom plan view thereof.

1 Claim, 2 Drawing Sheets



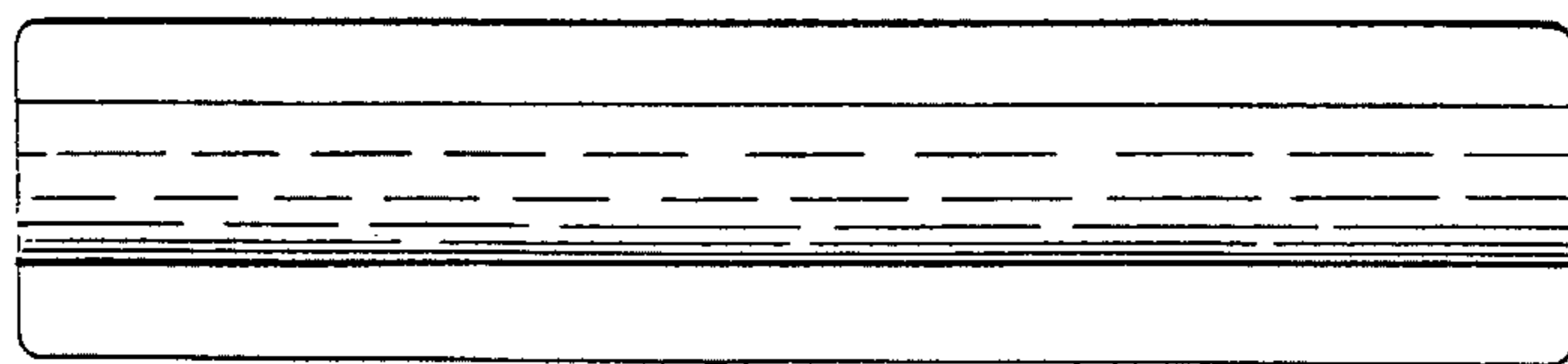
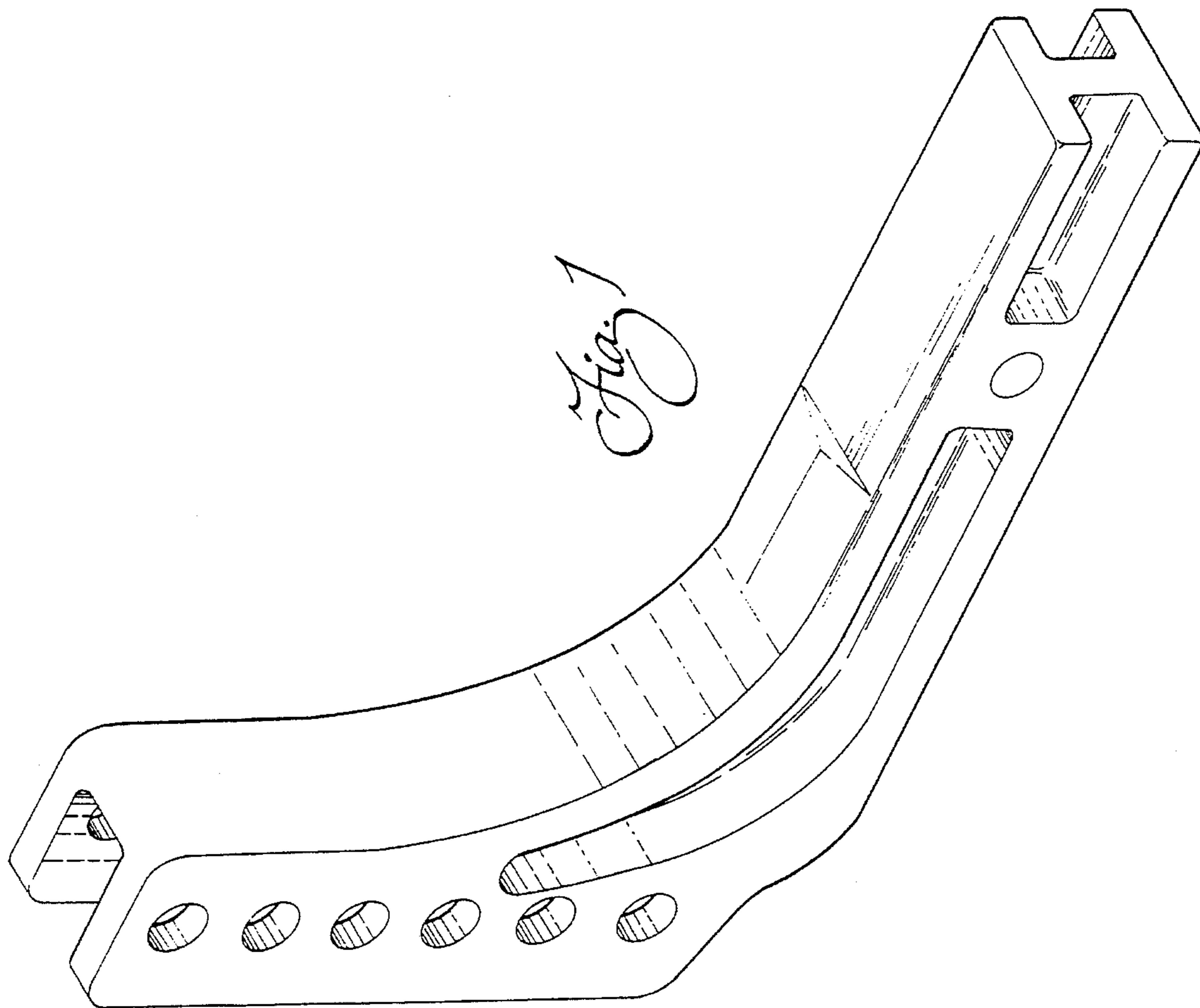


Fig. 2

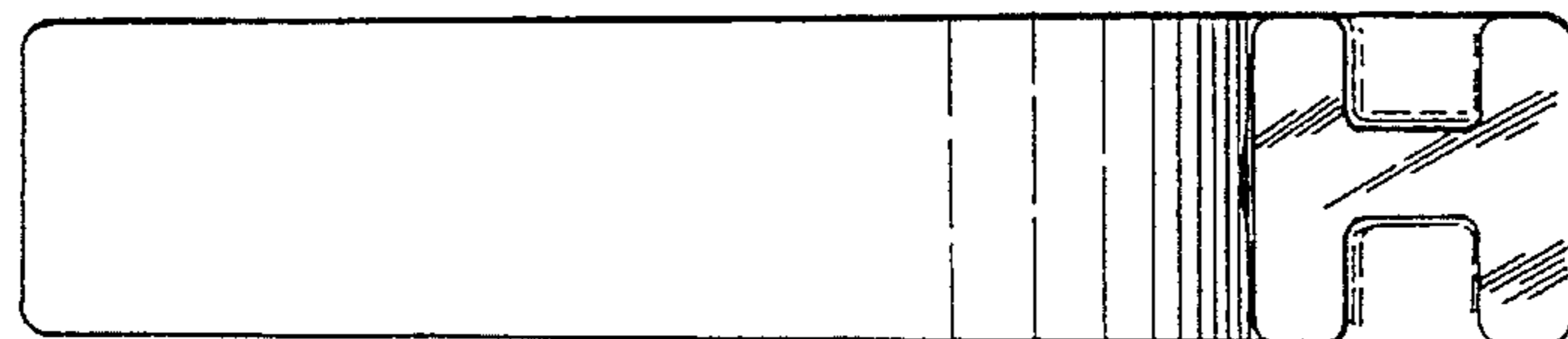


Fig. 3

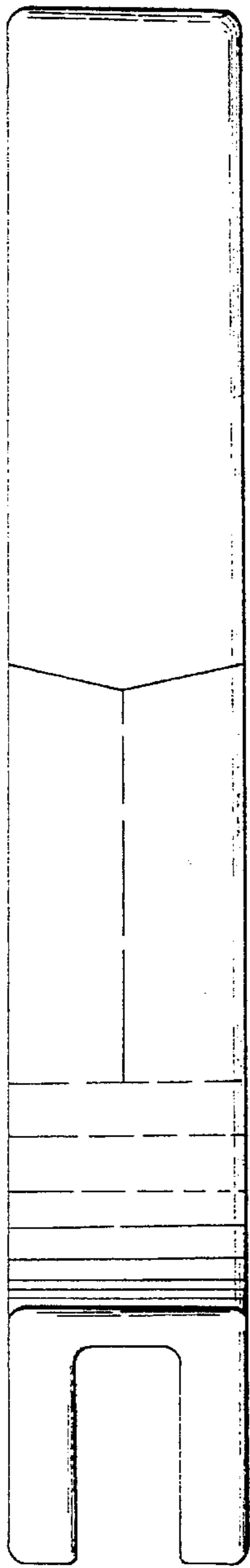


Fig. 5

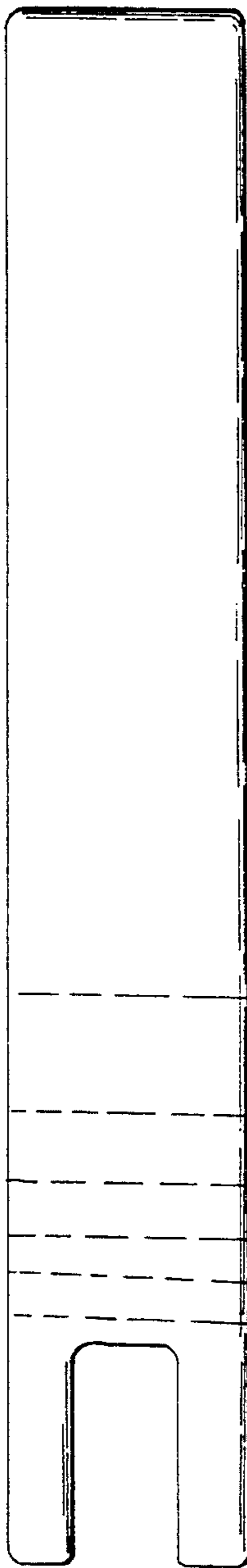


Fig. 6

Fig. 24

