



US00D369579S

# United States Patent [19]

[11] Patent Number: **Des. 369,579**

**Baechler**

[45] Date of Patent: **\*\*\* May 7, 1996**

[54] **BABY STROLLER LOWER FRAME**

[75] Inventor: **Philip A. Baechler**, Yakima, Wash.

[73] Assignee: **Racing Strollers, Inc.**, Yakima, Wash.

[\*] Notice: The portion of the term of this patent subsequent to Feb. 1, 2008, has been disclaimed.

[\*\*] Term: **14 Years**

[21] Appl. No.: **35,045**

[22] Filed: **Feb. 17, 1995**

### Related U.S. Application Data

[63] Continuation of Ser. No. 13,011, Sep. 15, 1993, Pat. No. Des. 356,760, and a division of Ser. No. 122,225, Sep. 15, 1993, and a division of Ser. No. 122,636, Sep. 15, 1993, said Ser. No. 122,225, is a continuation-in-part of Ser. No. 948,913, Sep. 18, 1992, Pat. No. Des. 343,812, said Ser. No. 122,636, is a continuation-in-part of Ser. No. 948,913, Sep. 18, 1992, Pat. No. Des. 343,812.

[52] **U.S. Cl.** ..... **D12/133**; D12/129

[58] **Field of Search** ..... D12/128, 129, D12/133; 280/36, 644, 647, 648, 650, 47.38

### References Cited

#### U.S. PATENT DOCUMENTS

|            |         |                       |         |
|------------|---------|-----------------------|---------|
| Re. 3,636  | 9/1869  | Christian .           |         |
| D. 204,254 | 4/1966  | Cerf .....            | D14/14  |
| D. 239,523 | 4/1976  | Firth et al. ....     | D12/129 |
| D. 297,525 | 9/1988  | Baechler .....        | D12/129 |
| D. 301,850 | 6/1989  | Clement et al. ....   | D12/129 |
| D. 315,885 | 4/1991  | Jacobs .....          | D12/129 |
| D. 332,591 | 1/1993  | Reely .....           | D12/129 |
| D. 343,812 | 2/1994  | Baechler et al. ....  | D12/129 |
| D. 350,923 | 9/1994  | Schmidlin et al. .... | D12/12  |
| D. 356,760 | 3/1995  | Baechler .....        | D12/133 |
| 699,186    | 5/1902  | Katzke .              |         |
| 2,425,688  | 8/1947  | Schulte .....         | 280/36  |
| 2,886,337  | 5/1959  | Quisenberry .....     | 280/36  |
| 3,781,031  | 12/1973 | Patin .....           | 280/62  |
| 3,870,371  | 3/1975  | Solomon .....         | 301/1   |
| 4,346,912  | 8/1982  | Habib .....           | 280/644 |

|           |         |                       |            |
|-----------|---------|-----------------------|------------|
| 4,570,956 | 2/1986  | Dyer .....            | 280/30     |
| 4,618,184 | 10/1986 | Harvey .....          | 297/19     |
| 4,847,945 | 7/1989  | Schwartz et al. ....  | 16/30      |
| 4,902,027 | 2/1990  | Skelly .....          | 280/33.998 |
| 4,917,442 | 4/1990  | Johnson .....         | 301/113    |
| 4,934,728 | 6/1990  | Chen .....            | 280/644    |
| 4,953,880 | 9/1990  | Sudakoff et al. ....  | 280/47.38  |
| 4,958,842 | 9/1990  | Chang .....           | 280/7.1    |
| 4,963,115 | 10/1990 | Davin et al. ....     | 446/96     |
| 5,029,891 | 7/1991  | Jacobs .....          | 280/650    |
| 5,076,599 | 12/1991 | Lockett et al. ....   | 280/204    |
| 5,123,670 | 6/1992  | Chen .....            | 280/650    |
| 5,176,395 | 1/1993  | Garforth-Bles .....   | 280/415.1  |
| 5,188,389 | 2/1993  | Baechler et al. ....  | 280/650    |
| 5,224,720 | 7/1993  | Chaw et al. ....      | 280/62     |
| 5,259,635 | 11/1993 | Picker .....          | 280/250.1  |
| 5,299,825 | 4/1994  | Smith .....           | 280/644    |
| 5,344,171 | 9/1994  | Garforth-Bles .....   | 280/415.1  |
| 5,356,171 | 10/1994 | Schmidlin et al. .... | 280/650    |
| 5,364,119 | 11/1994 | Leu .....             | 280/647    |

Primary Examiner—Kay H. Chin

Attorney, Agent, or Firm—Seed and Berry

### [57] CLAIM

The ornamental design for a baby stroller lower frame, as shown and described.

### DESCRIPTION

FIG. 1 is a front isometric view of a baby stroller lower frame showing my new design. The broken lines are for illustrative purposes only and form no part of the claimed design.

FIG. 2 is a left side elevational view thereof, the right side being identical.

FIG. 3 is a front elevational view thereof.

FIG. 4 is a rear elevational view thereof.

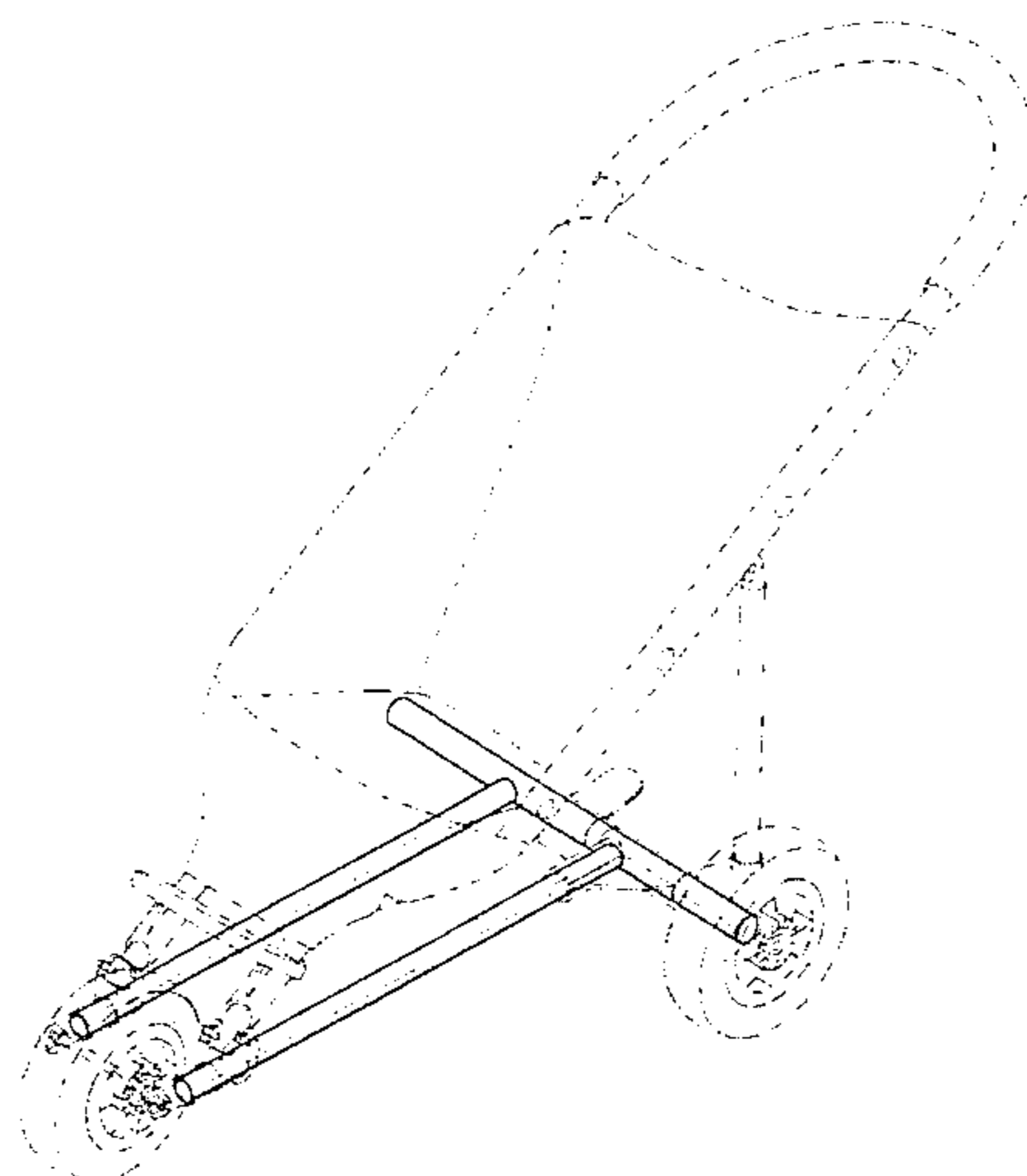
FIG. 5 is a bottom plan view thereof.

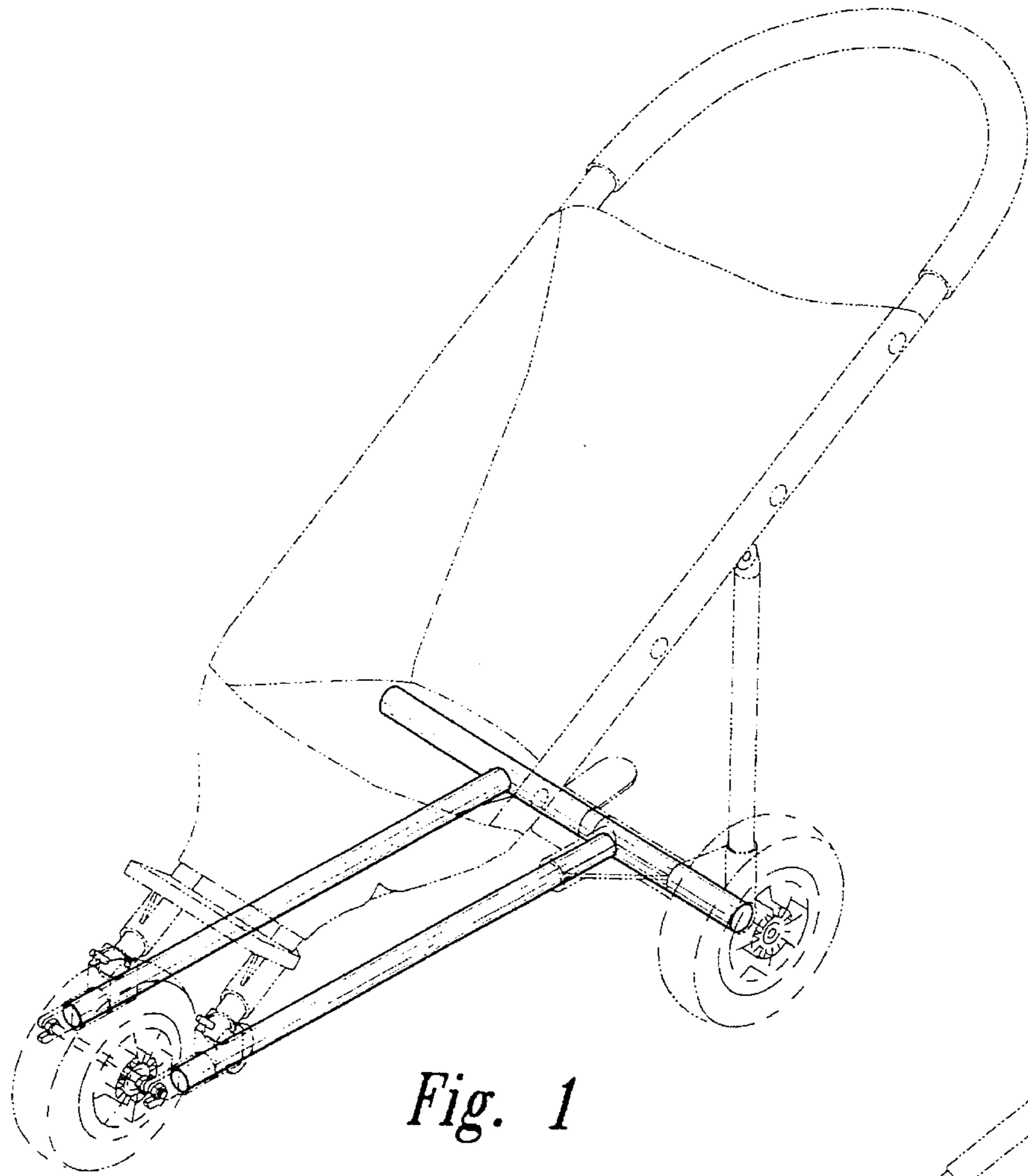
FIG. 6 is a front isometric view of a second embodiment of the baby stroller lower frame showing my new design. The broken lines are for illustrative purposes only and form no part of the claimed design.

FIG. 7 is a rear elevational view thereof.

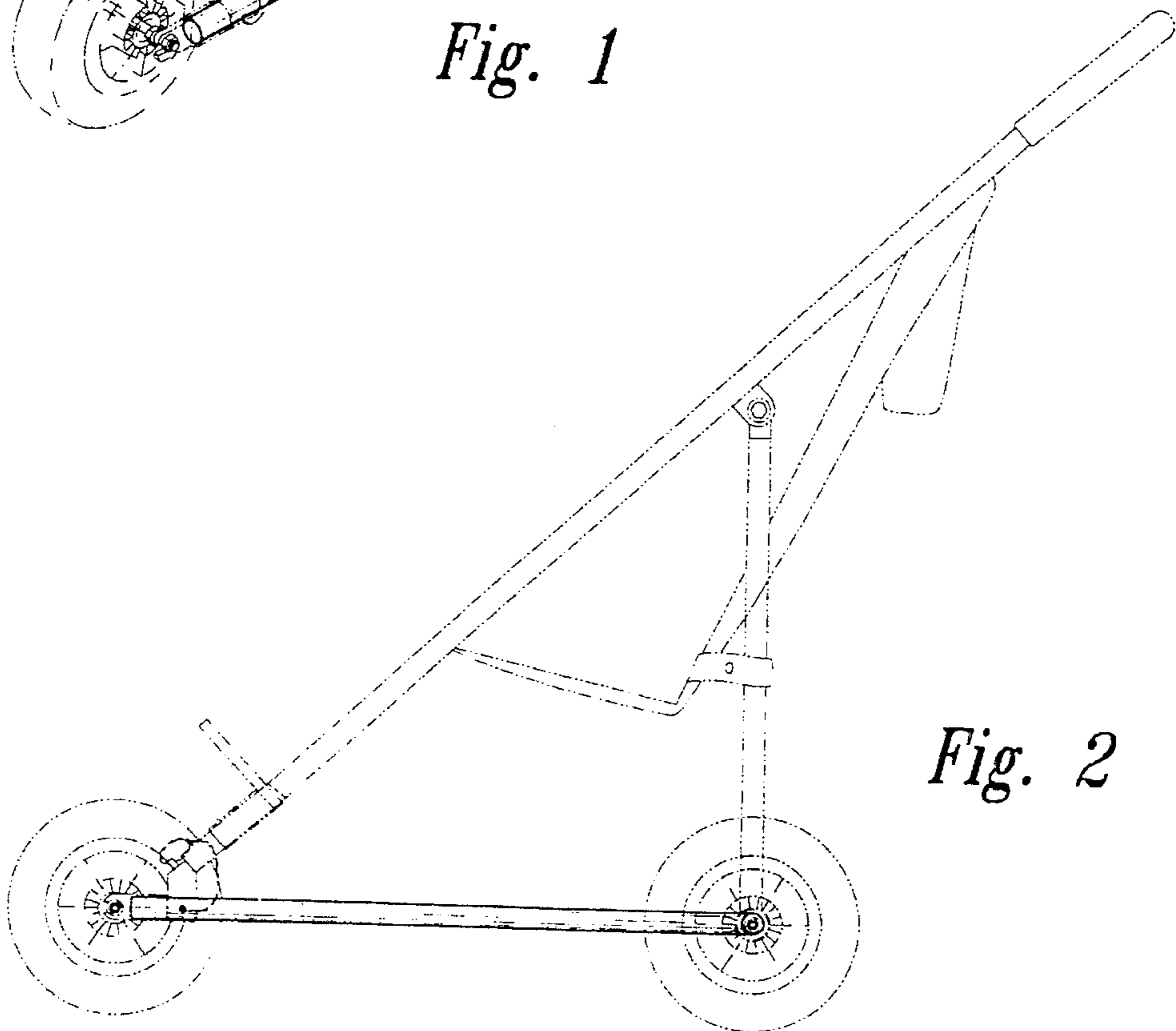
FIG. 8 is a bottom plan view thereof.

**1 Claim, 5 Drawing Sheets**

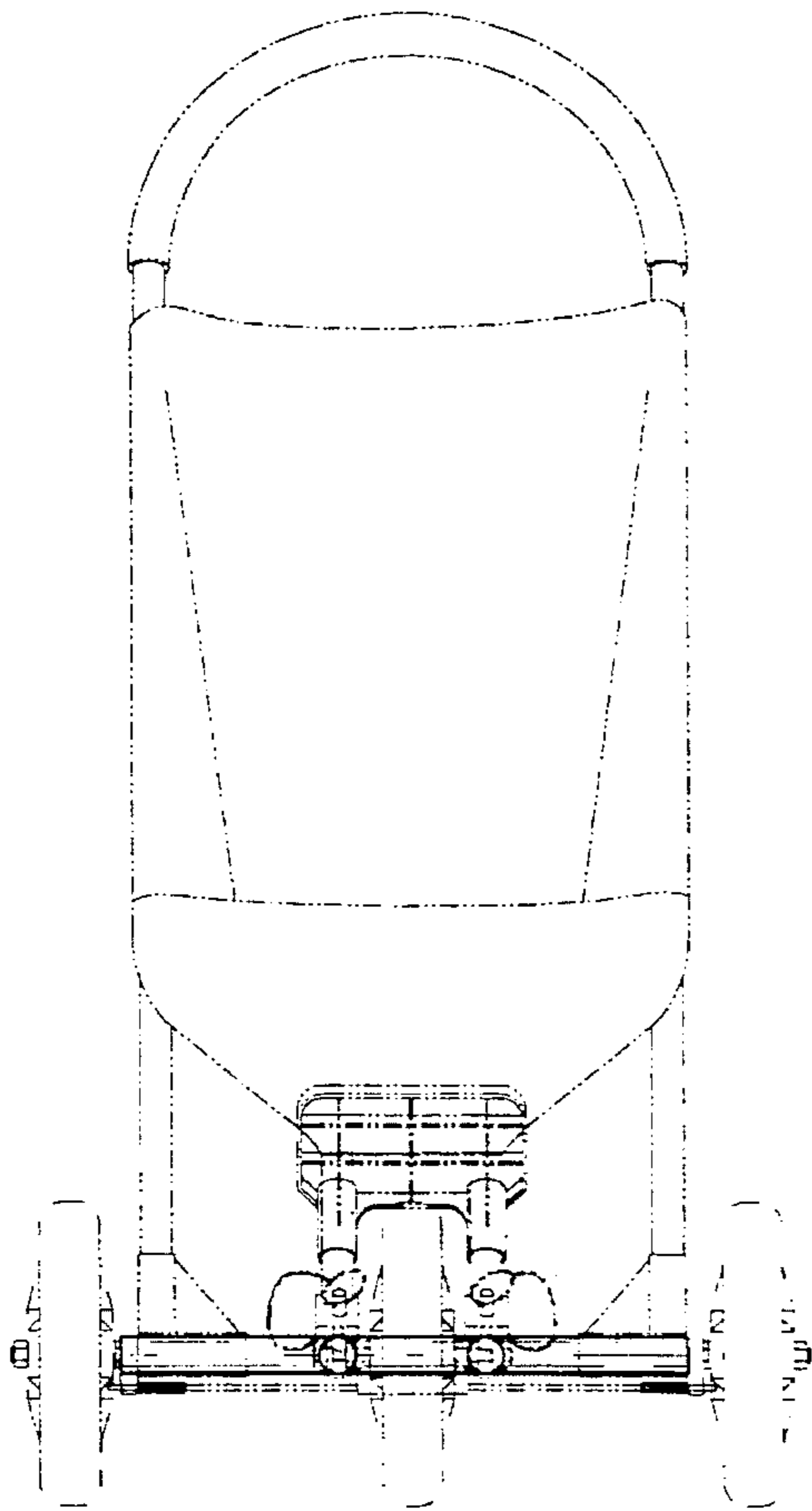




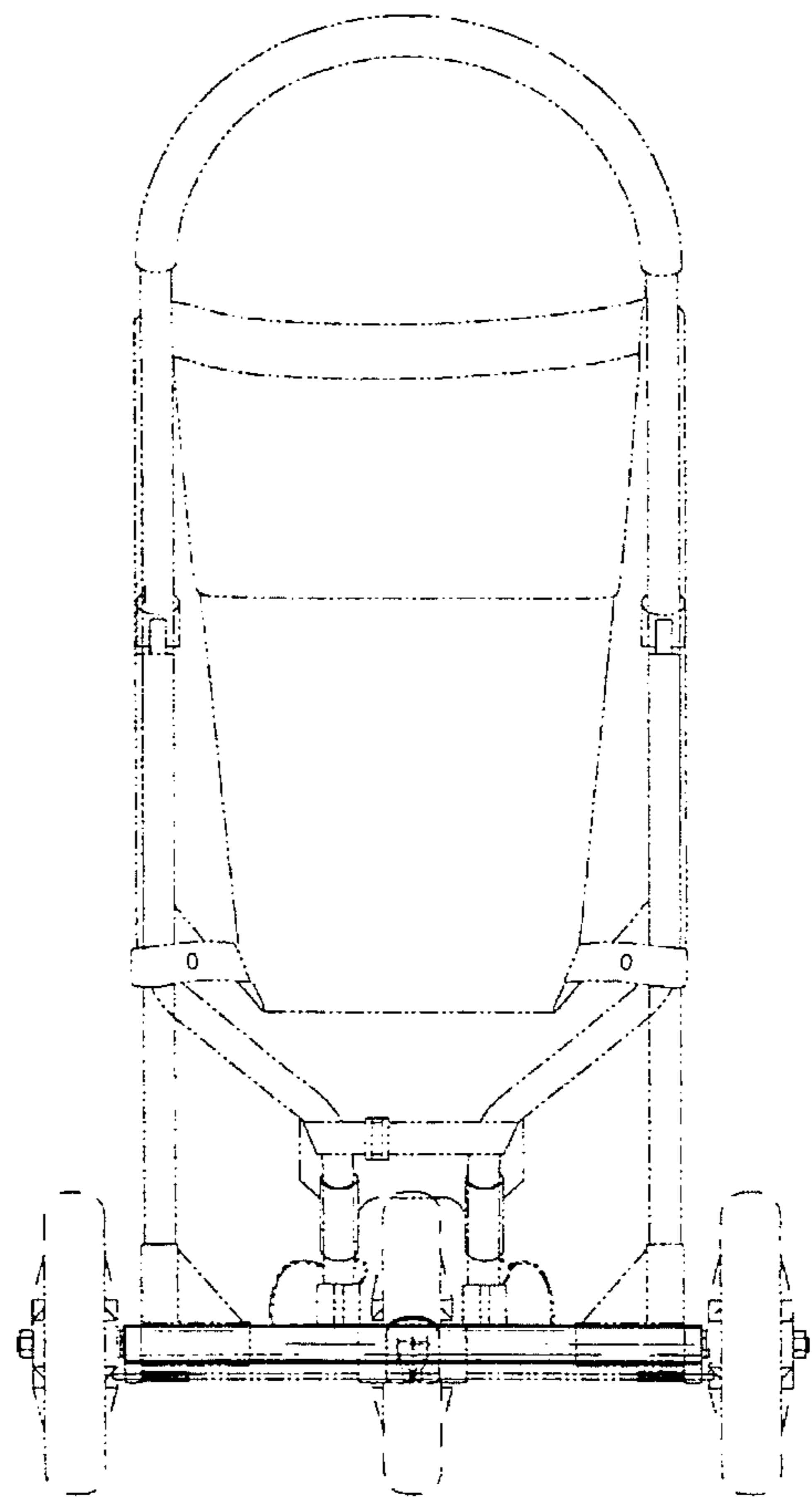
*Fig. 1*



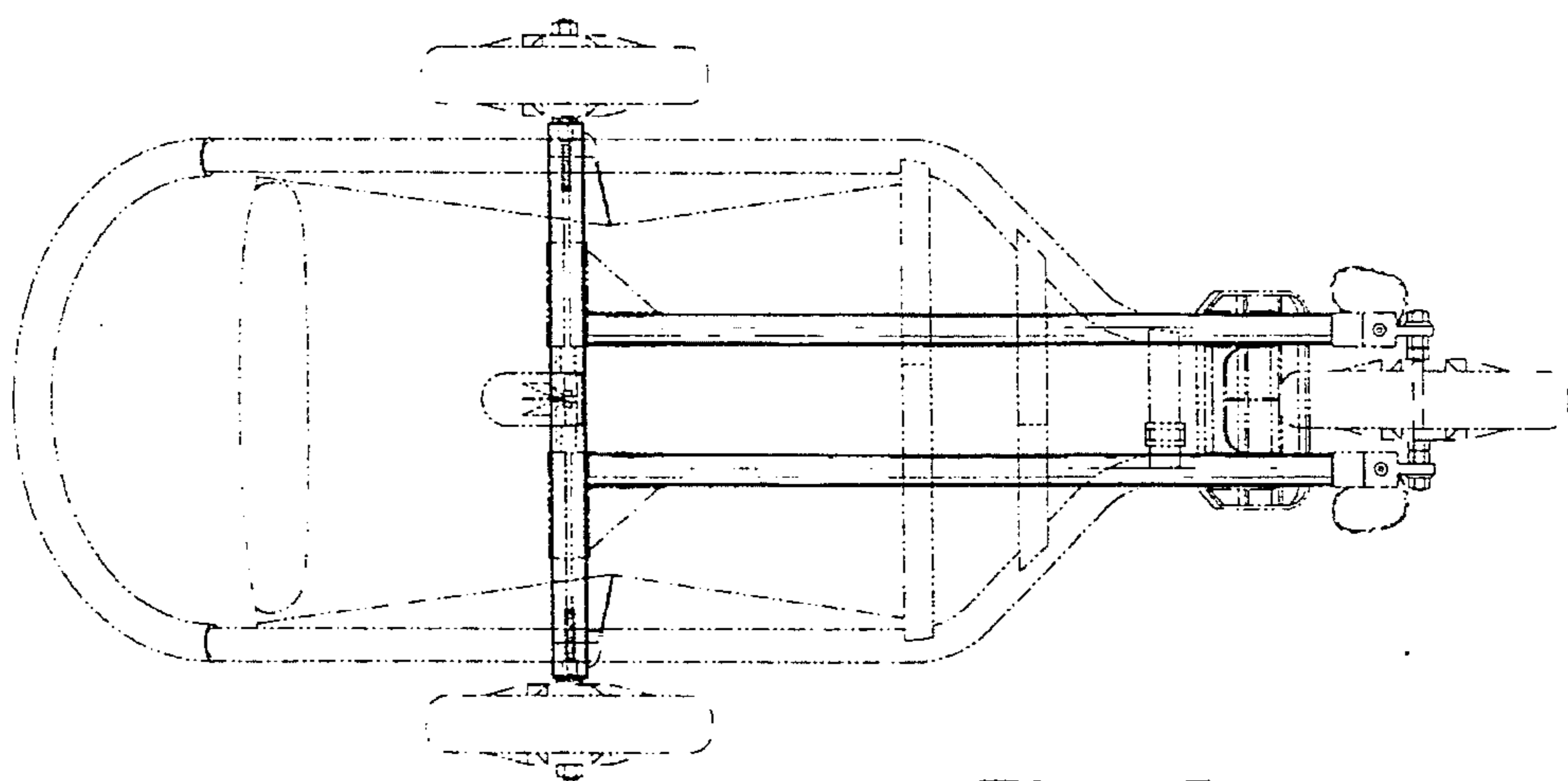
*Fig. 2*



*Fig. 3*

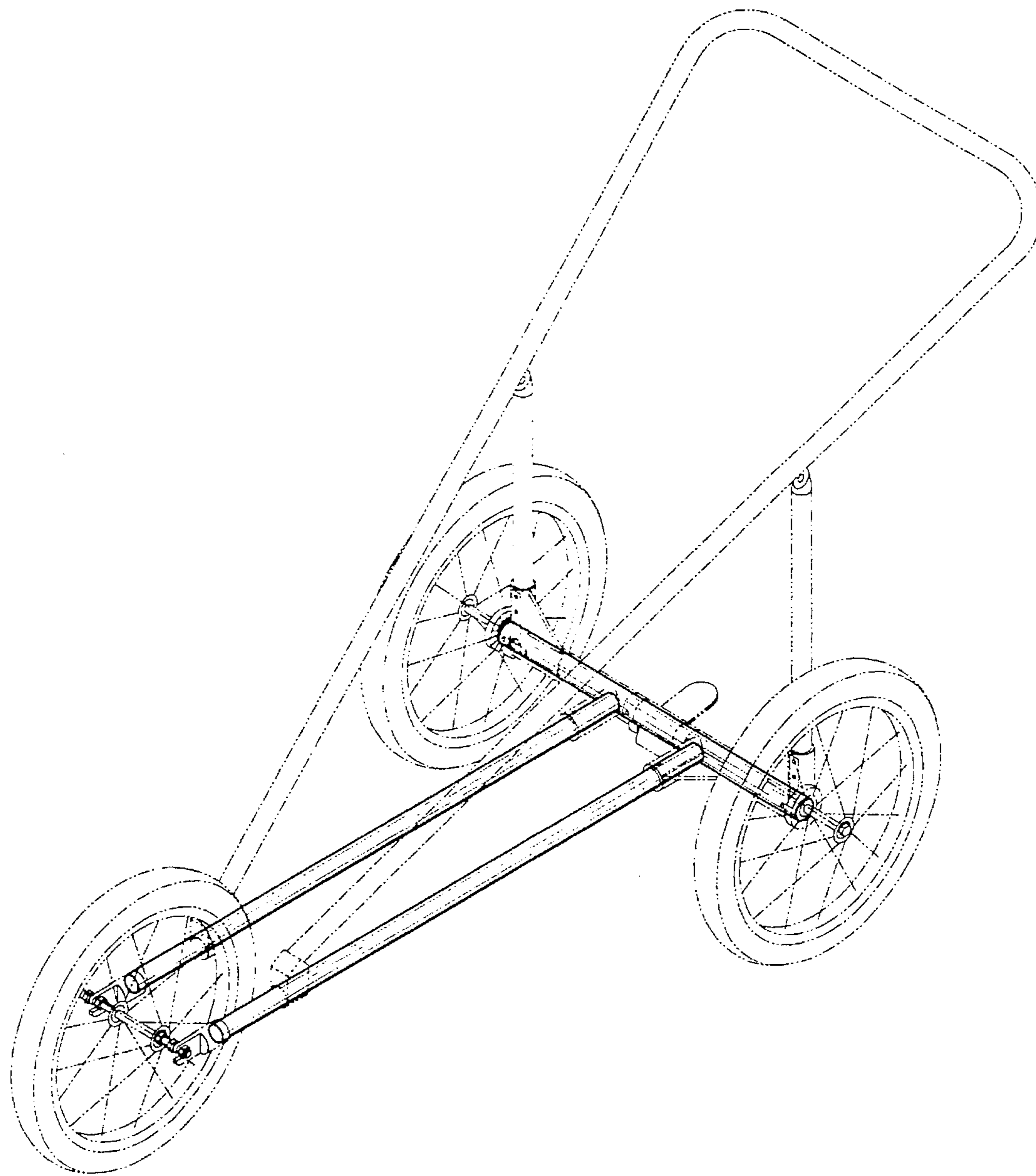


*Fig. 4*

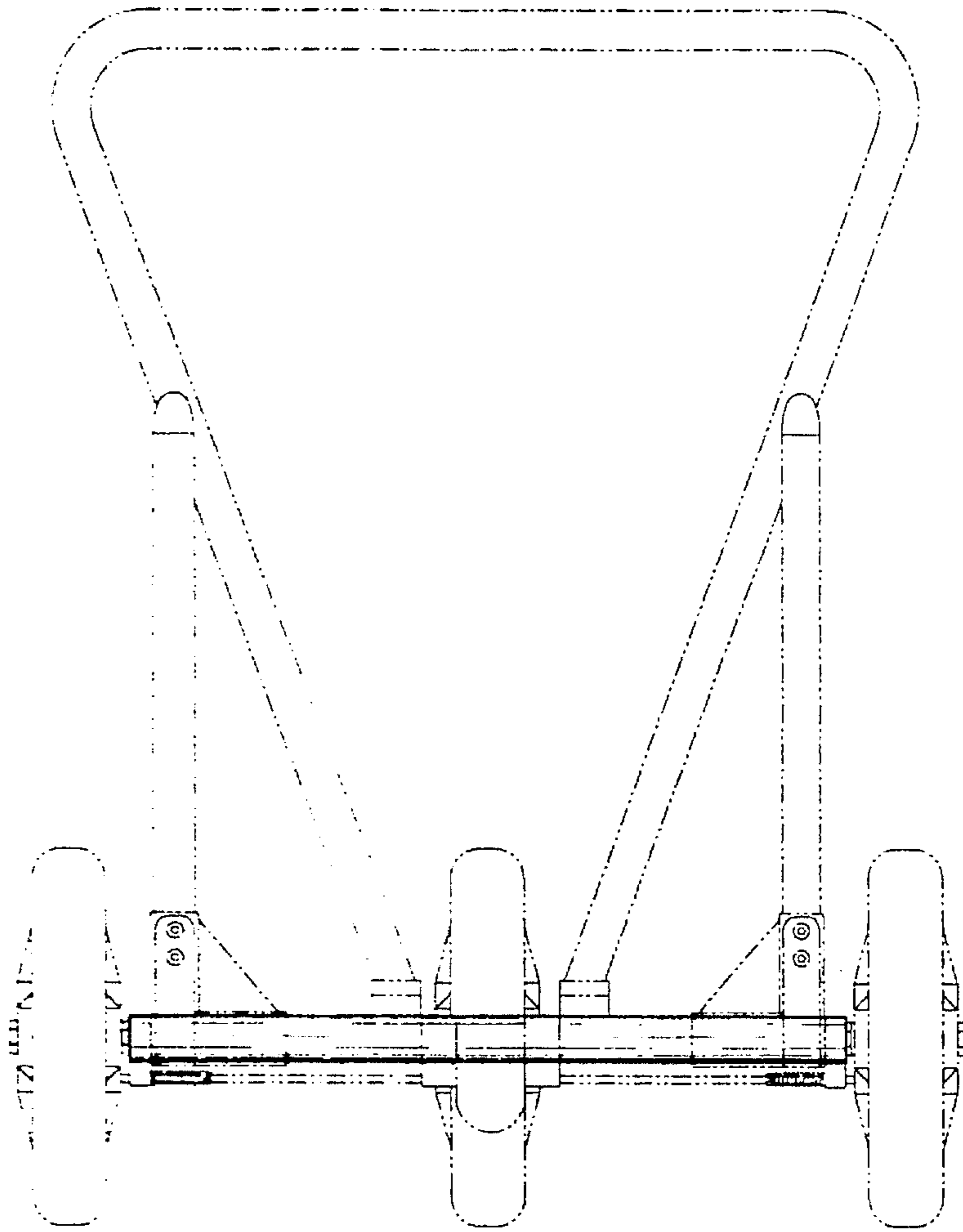


*Fig. 5*

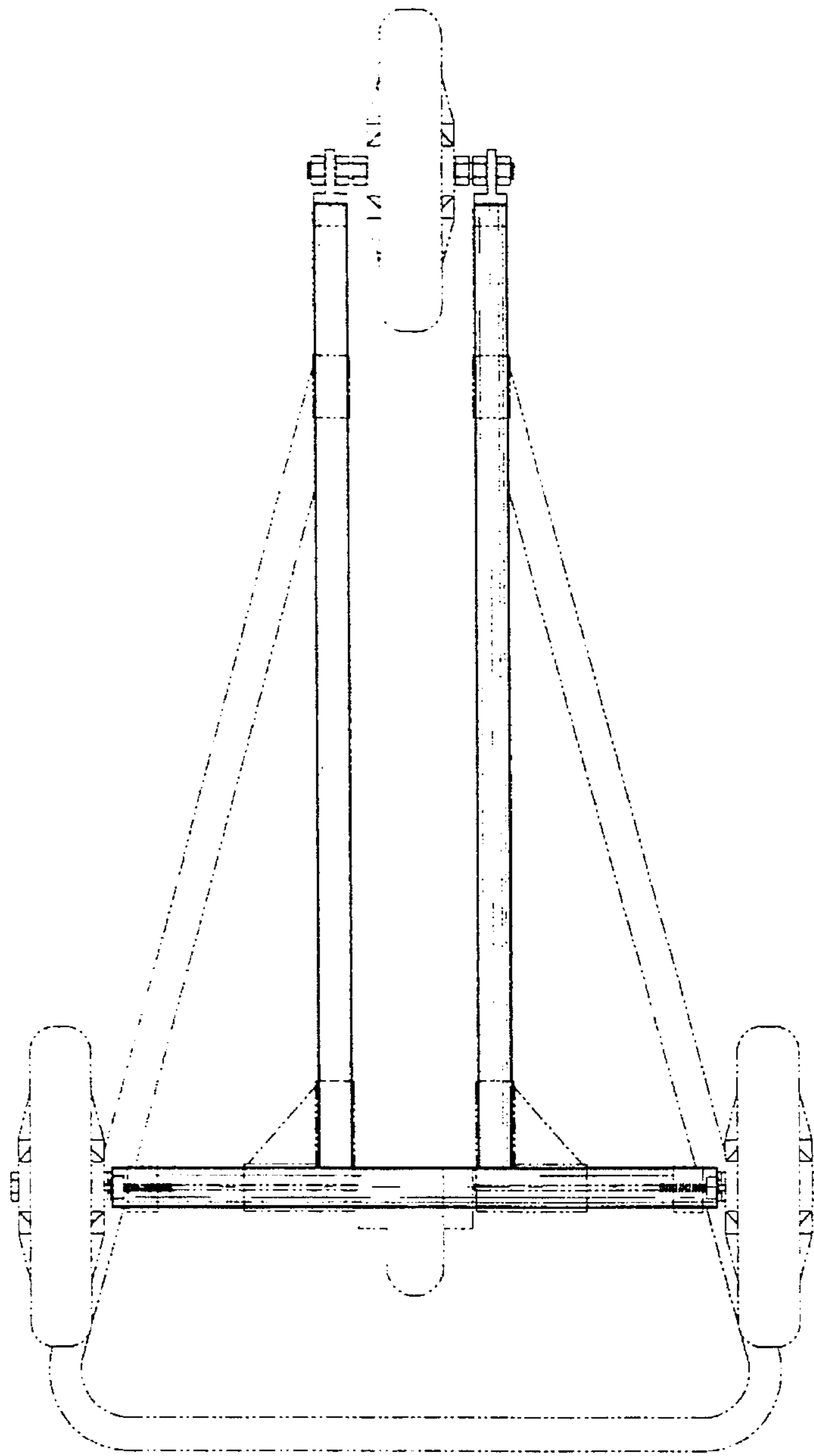




*Fig. 6*



*Fig. 7*



*Fig. 8*