



US00D369578S

United States Patent [19]

Andolfi

[11] Patent Number: **Des. 369,578**

[45] Date of Patent: ****May 7, 1996**

[54] WALKER

[76] Inventor: **Alexander S. Andolfi**, 17 Sharon Ave., East Setauket, N.Y. 11733

[**] Term: **14 Years**

[21] Appl. No.: **24,060**

[22] Filed: **Jun. 7, 1994**

[52] U.S. Cl. **D12/130; D12/128**

[58] Field of Search **D12/128, 130; 5/86.1, 81.1, 83.1; 297/5, 466; 482/67, 68; 135/67, 73; 180/65.5**

4,704,709	11/1987	Slebzak et al.	367/158
4,704,749	11/1987	Aubert	5/81.1
4,802,542	2/1989	Houston et al.	180/65.5
4,809,804	3/1989	Houston et al.	180/65.5
4,985,947	1/1991	Ethridge	5/81.1
5,040,556	8/1991	Raines	135/67
5,117,516	6/1992	Penner	5/86.1
5,224,717	7/1993	Lowen	135/67
5,265,689	11/1993	Kauffmann	5/81.1

Primary Examiner—**Kay H. Chin**
Attorney, Agent, or Firm—**Alfred M. Walker**

[57] CLAIM

The ornamental design for a walker, as shown and described.

[56] References Cited

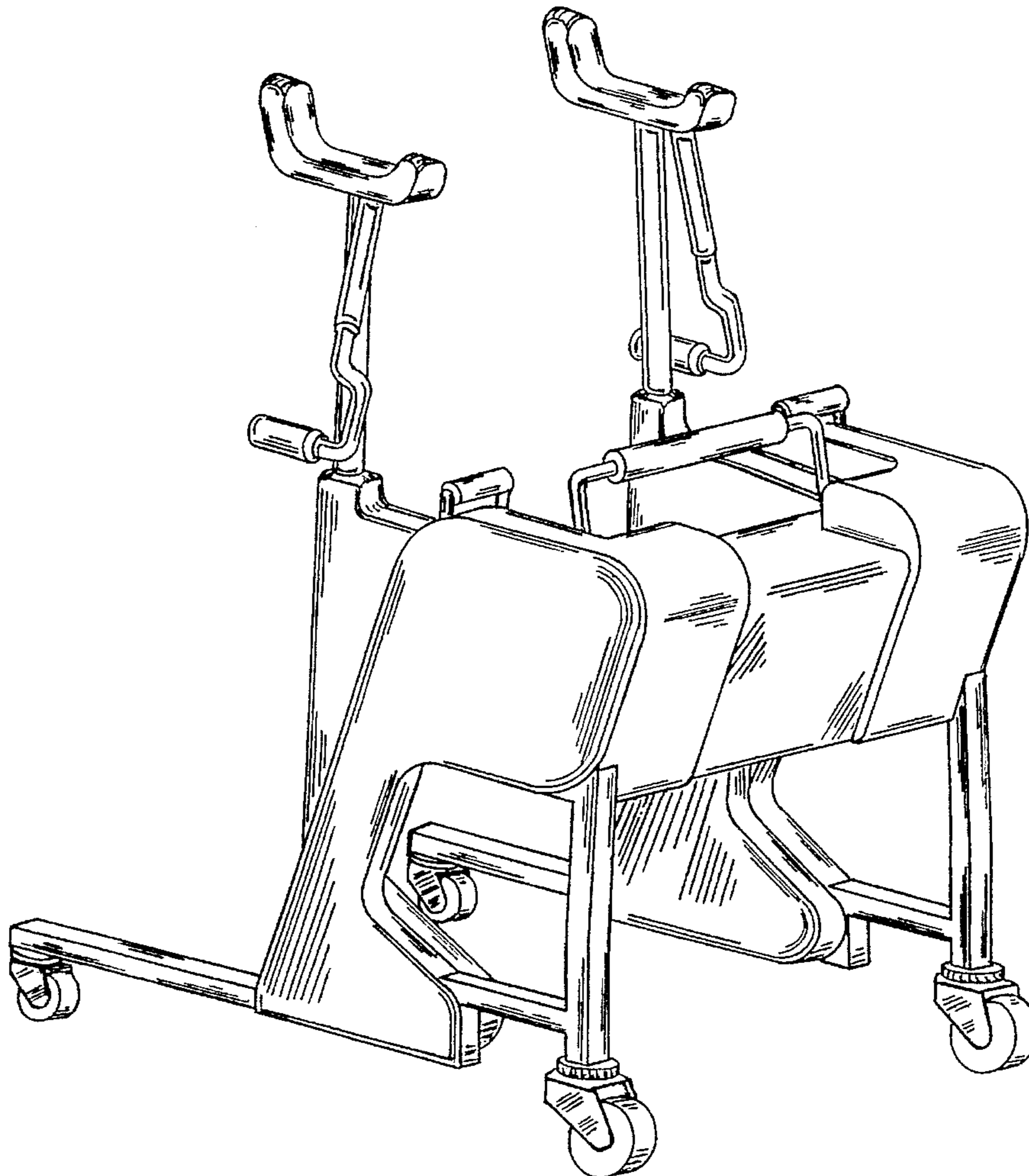
U.S. PATENT DOCUMENTS

D. 297,524	9/1988	Pope	D12/128
3,189,345	6/1965	Simpson	482/67
3,374,493	3/1968	Herrera	5/86.1
3,596,298	8/1971	Durst, Jr.	5/81.1
3,629,880	12/1971	Van Rhyne	5/83.1
4,054,319	10/1977	Fogg, Jr. et al.	297/466
4,187,869	2/1980	Marchetti	135/67
4,443,902	4/1984	Baer	5/81.1
4,545,085	10/1985	Feldt	5/86.1

DESCRIPTION

FIG. 1 is a perspective view of a walker, showing my design; FIG. 2 is a top plan view thereof; FIG. 3 is a right side elevational view thereof; FIG. 4 is a left side elevational view thereof; FIG. 5 is a front elevational view thereof; FIG. 6 is a rear elevational view thereof; and, FIG. 7 is a bottom view thereof.

1 Claim, 4 Drawing Sheets



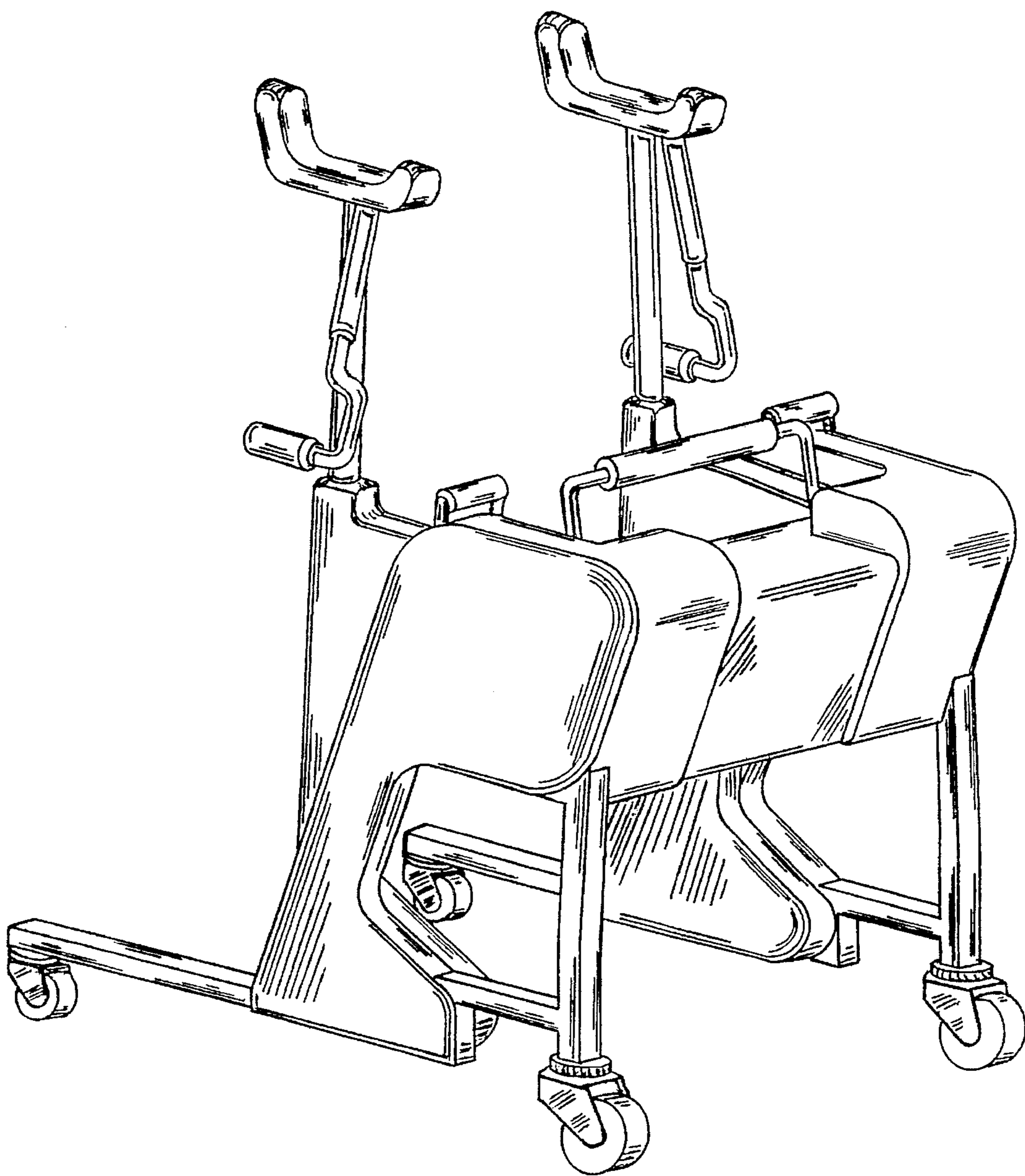


Fig. 1

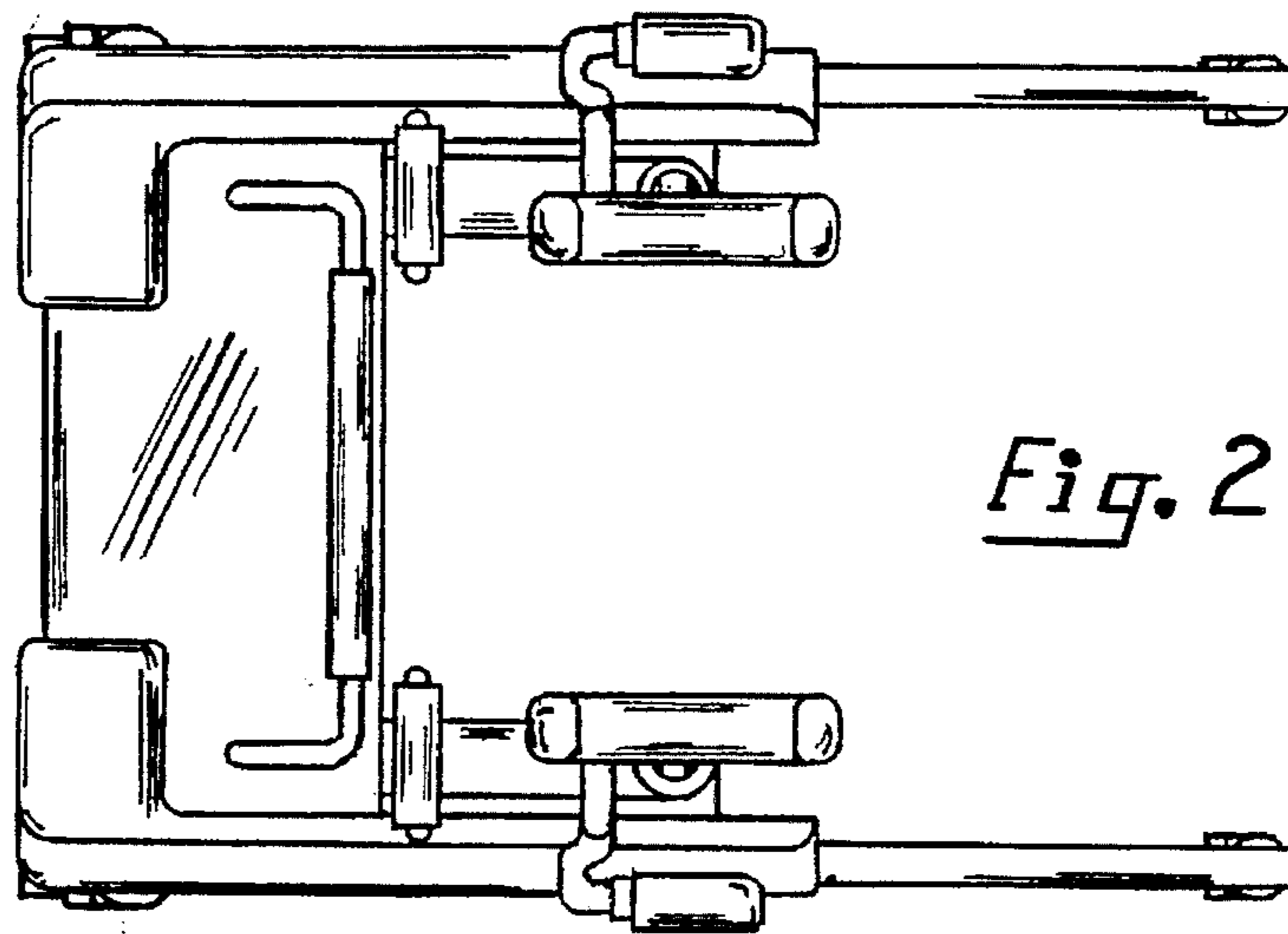


Fig. 2

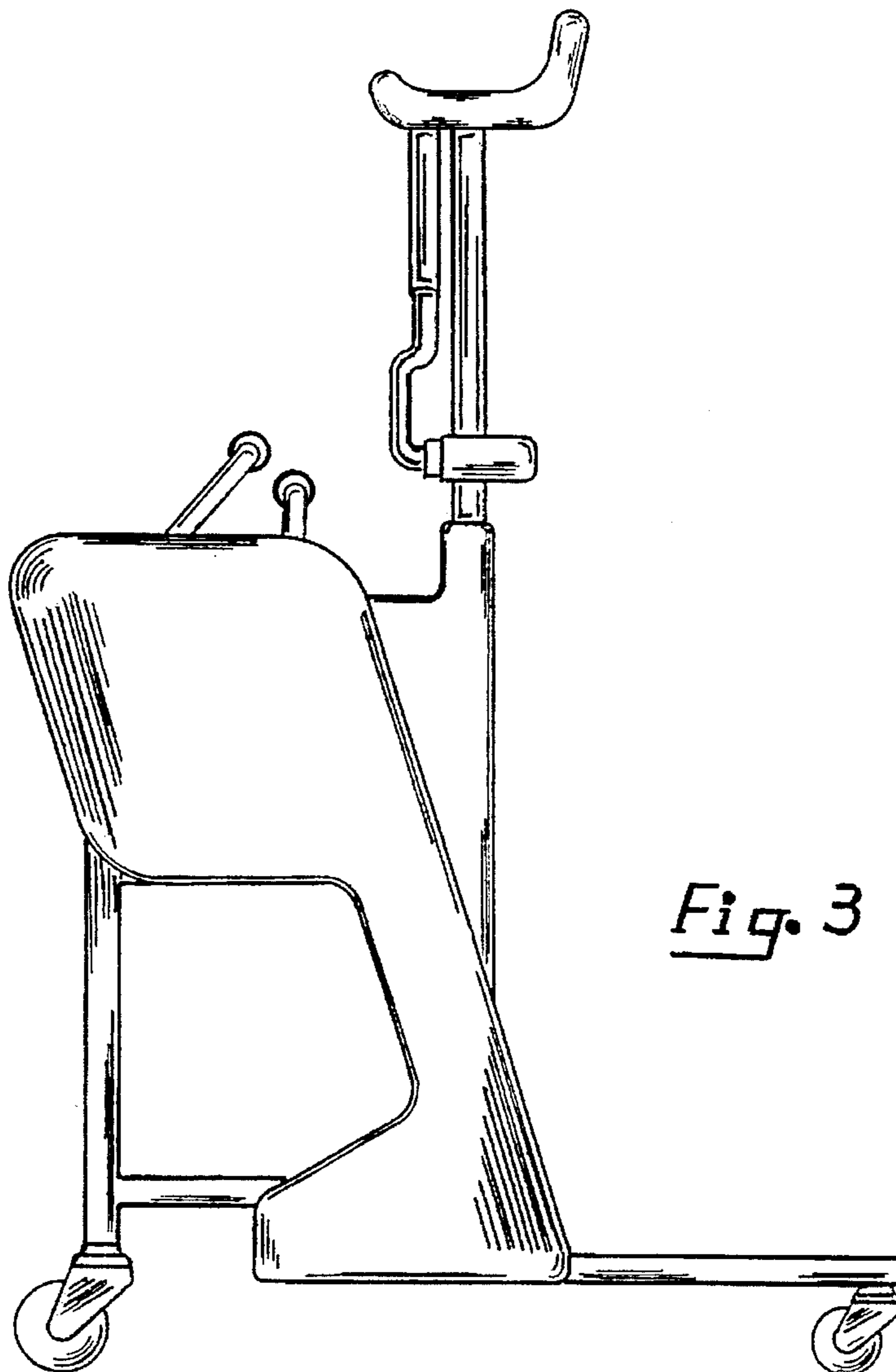


Fig. 3

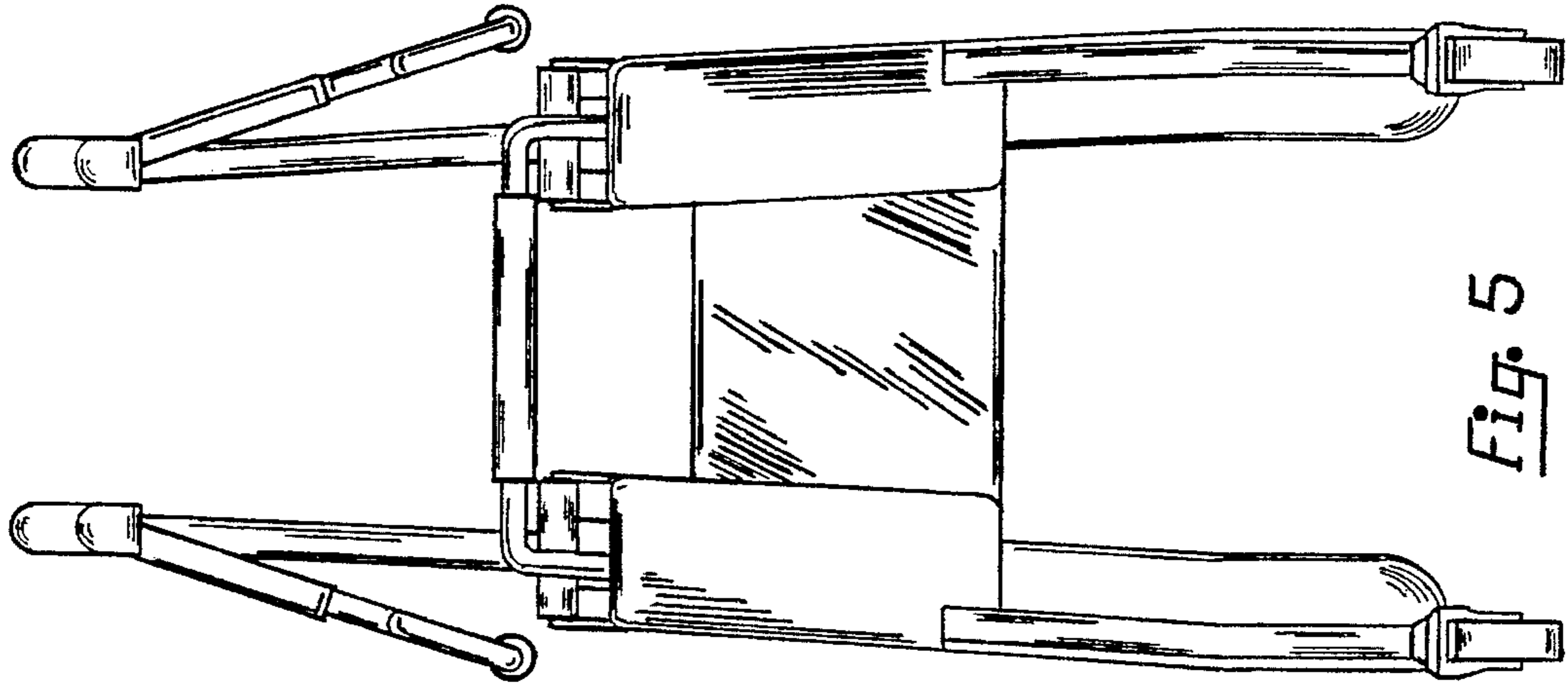


Fig. 5

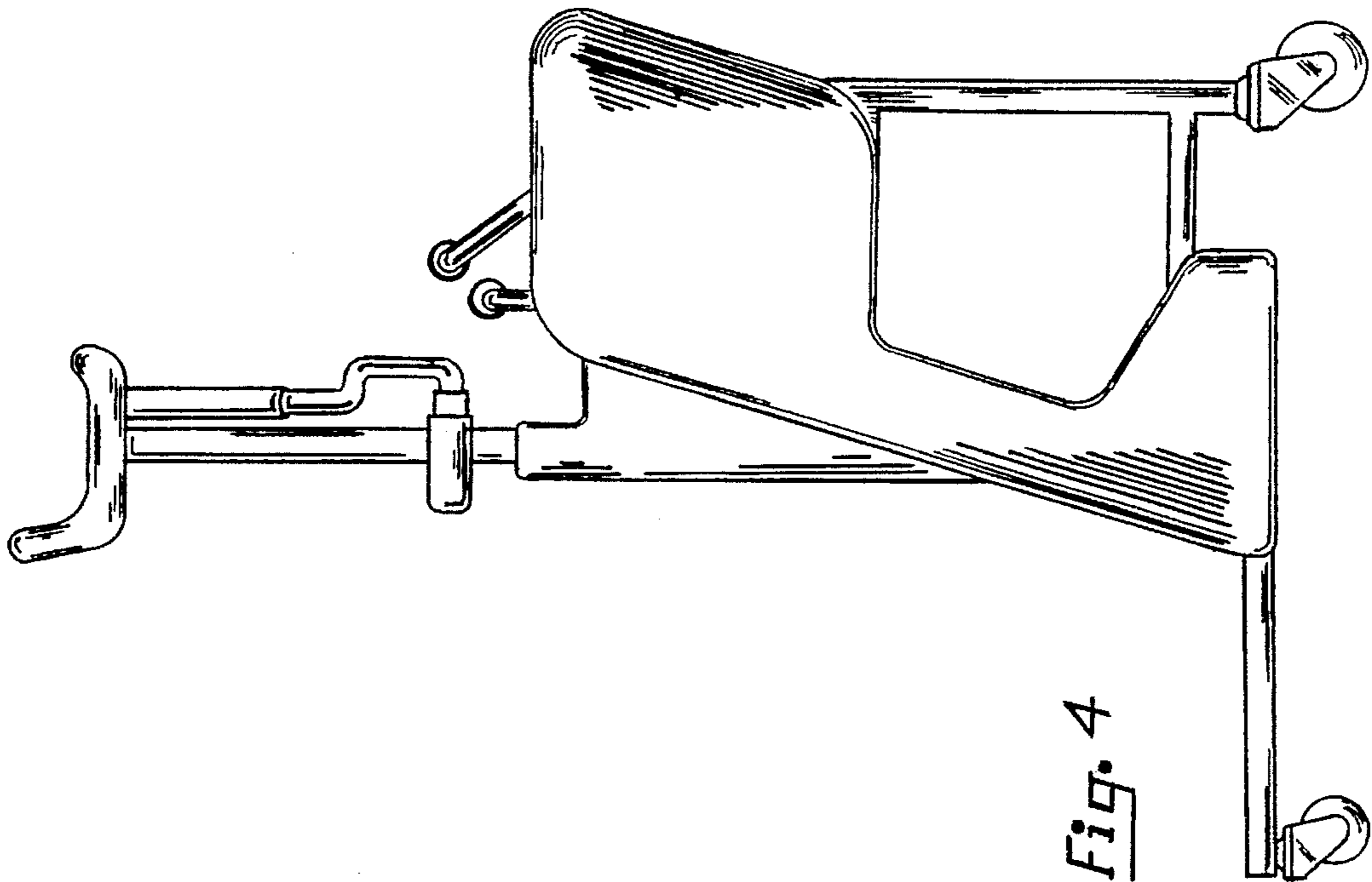


Fig. 4

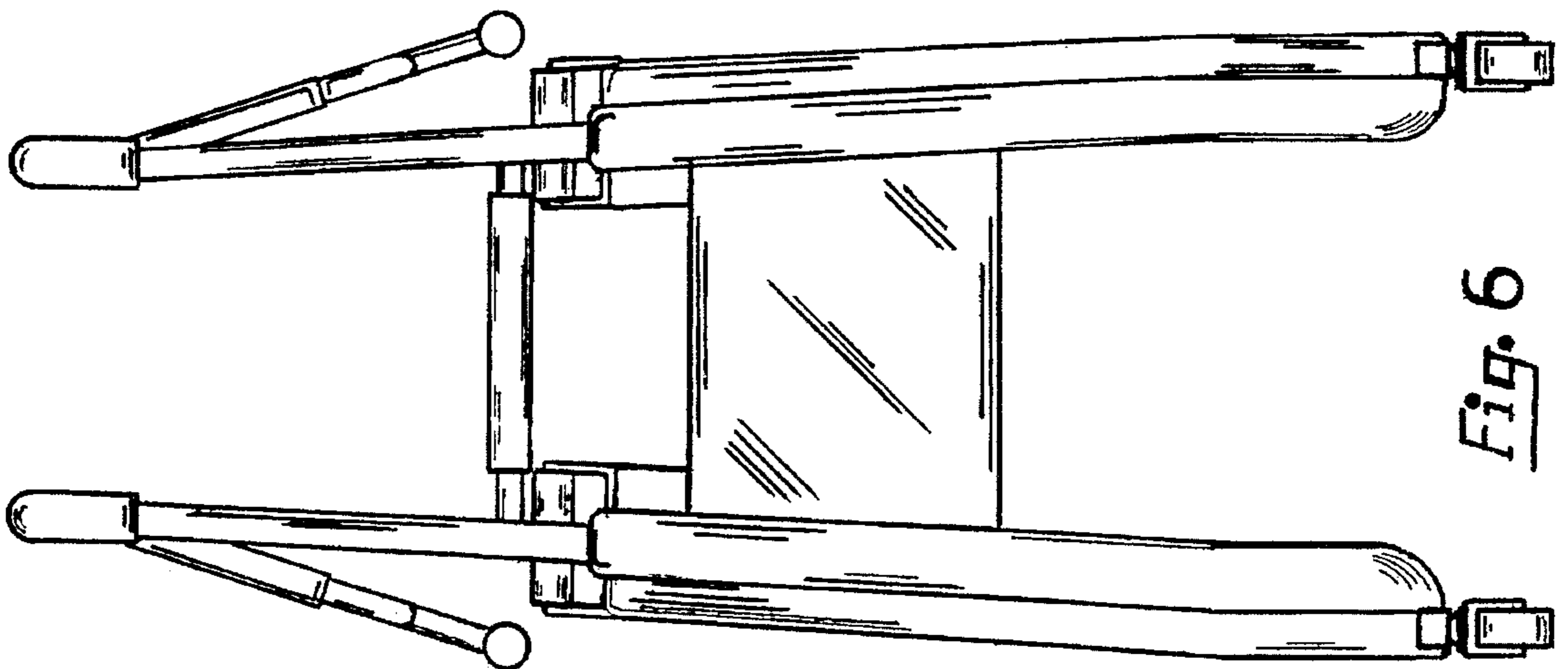


Fig. 6

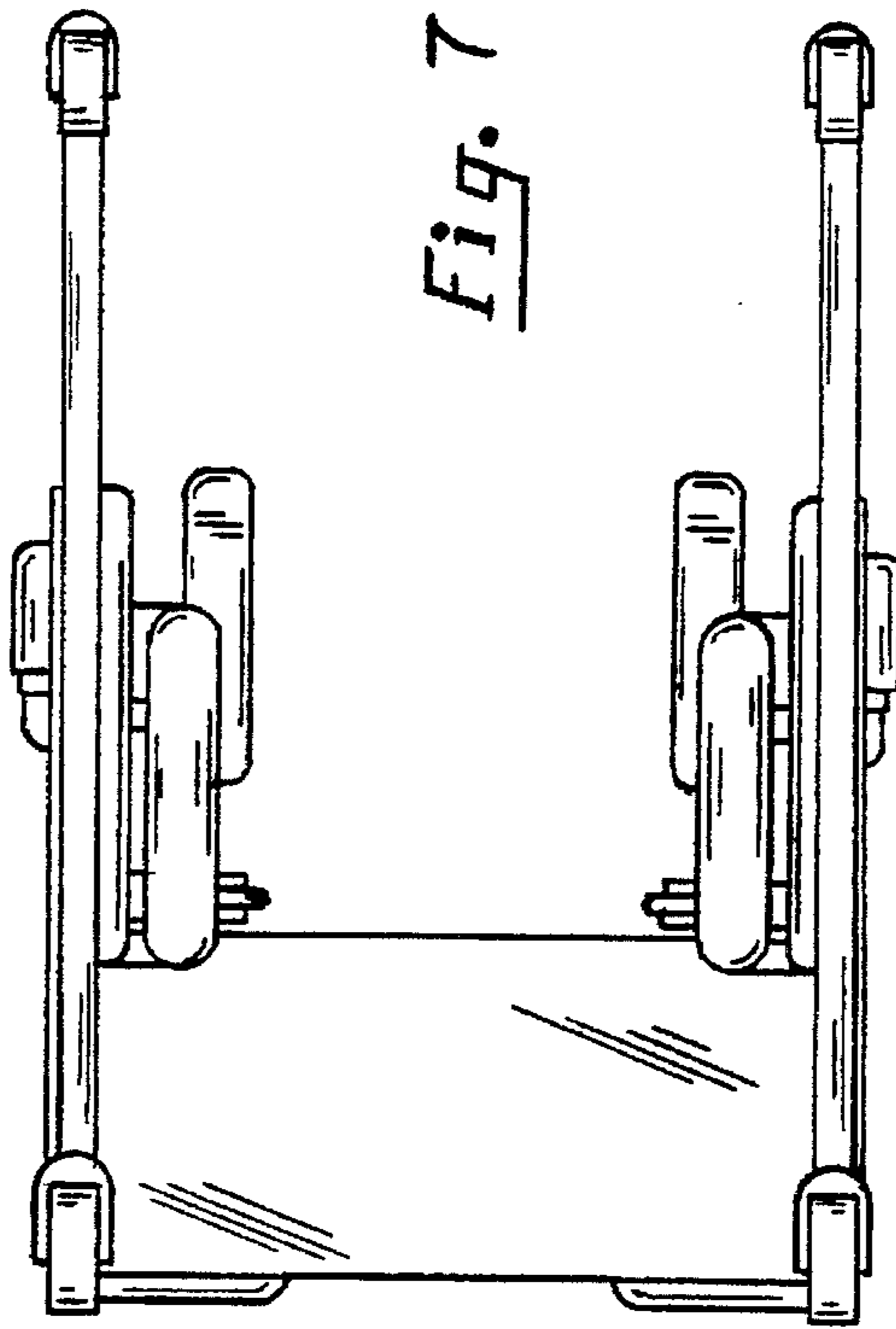


Fig. 7