



US00D369575S

United States Patent [19]
Genshock

[11] **Patent Number:** **Des. 369,575**
[45] **Date of Patent:** ****May 7, 1996**

[54] **BICYCLE TRAILER RACK**

Assistant Examiner—M. Brown

[76] Inventor: **Michael E. Genshock**, 664 N. Eighth Ave., Upland, Calif. 91786

[57] **CLAIM**

The ornamental design for a bicycle trailer rack, as shown and described.

[**] Term: **14 Years**

DESCRIPTION

[21] Appl. No.: **36,634**

FIG. 1 is a front left side perspective of a bicycle trailer rack showing my new design;

[22] Filed: **Mar. 23, 1995**

FIG. 2 is a front elevational view thereof;

[52] **U.S. Cl.** **D12/115**

FIG. 3 is a right side elevational view thereof;

[58] **Field of Search** D12/115, 408;
211/17, 20, 18, 22; 224/539-542, 493

FIG. 4 is a left side elevational view thereof;

FIG. 5 is a rear elevational view thereof;

[56] **References Cited**

U.S. PATENT DOCUMENTS

FIG. 6 is a top plan view thereof; and,

FIG. 7 is a bottom plan view.

| | | | | |
|------------|---------|----------|-------|---------|
| D. 337,082 | 7/1993 | Hellesoe | | D12/115 |
| D. 341,348 | 11/1993 | Williams | | D12/408 |
| 4,813,550 | 3/1989 | Saeks | | 211/22 |
| 5,082,120 | 1/1992 | Vega | | D12/115 |

The broken lines showing of the four bike trailers in FIG. 1 is for illustrative purposes only and is not part of the claimed design.

Primary Examiner—A. Hugo Word

1 Claim, 2 Drawing Sheets

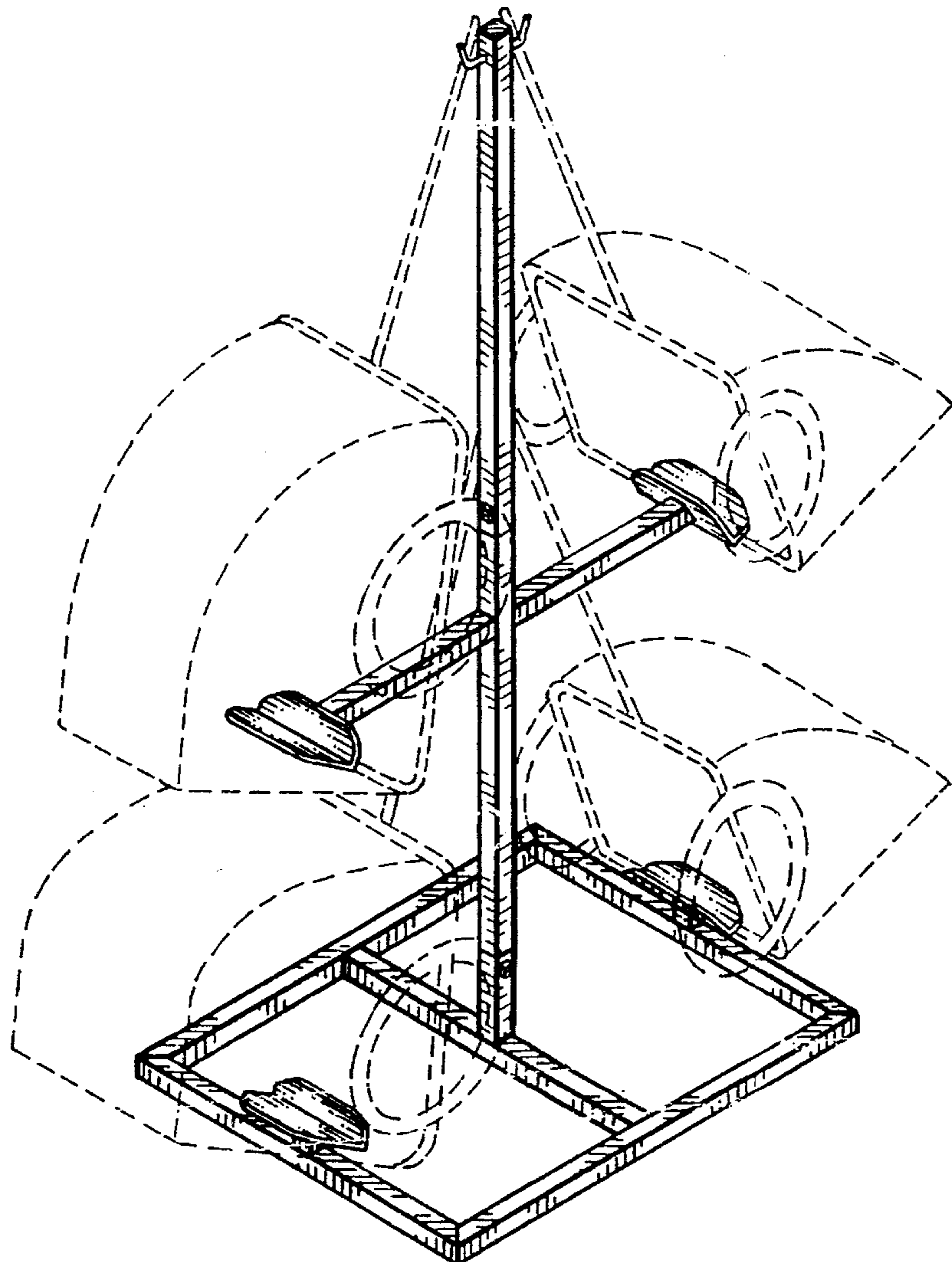


FIG. 1

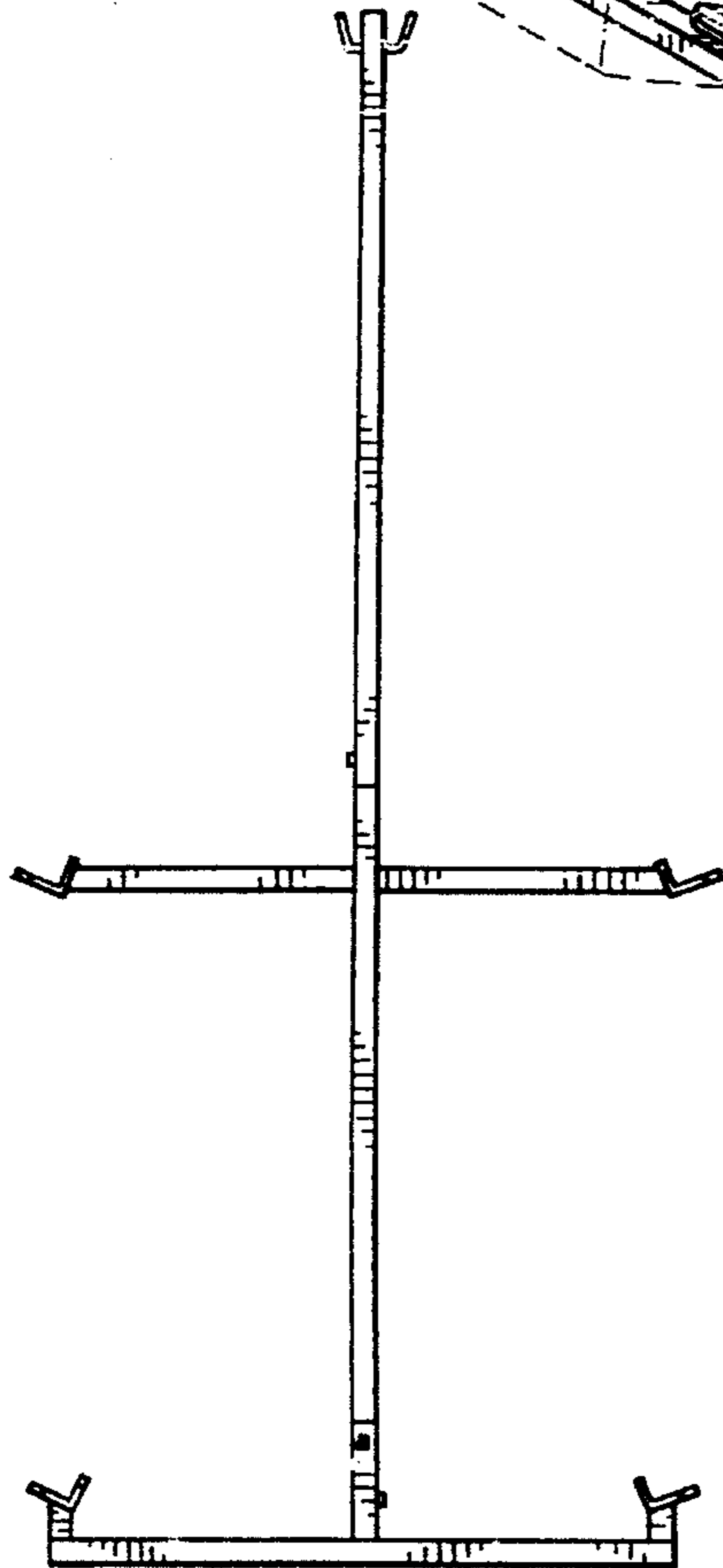
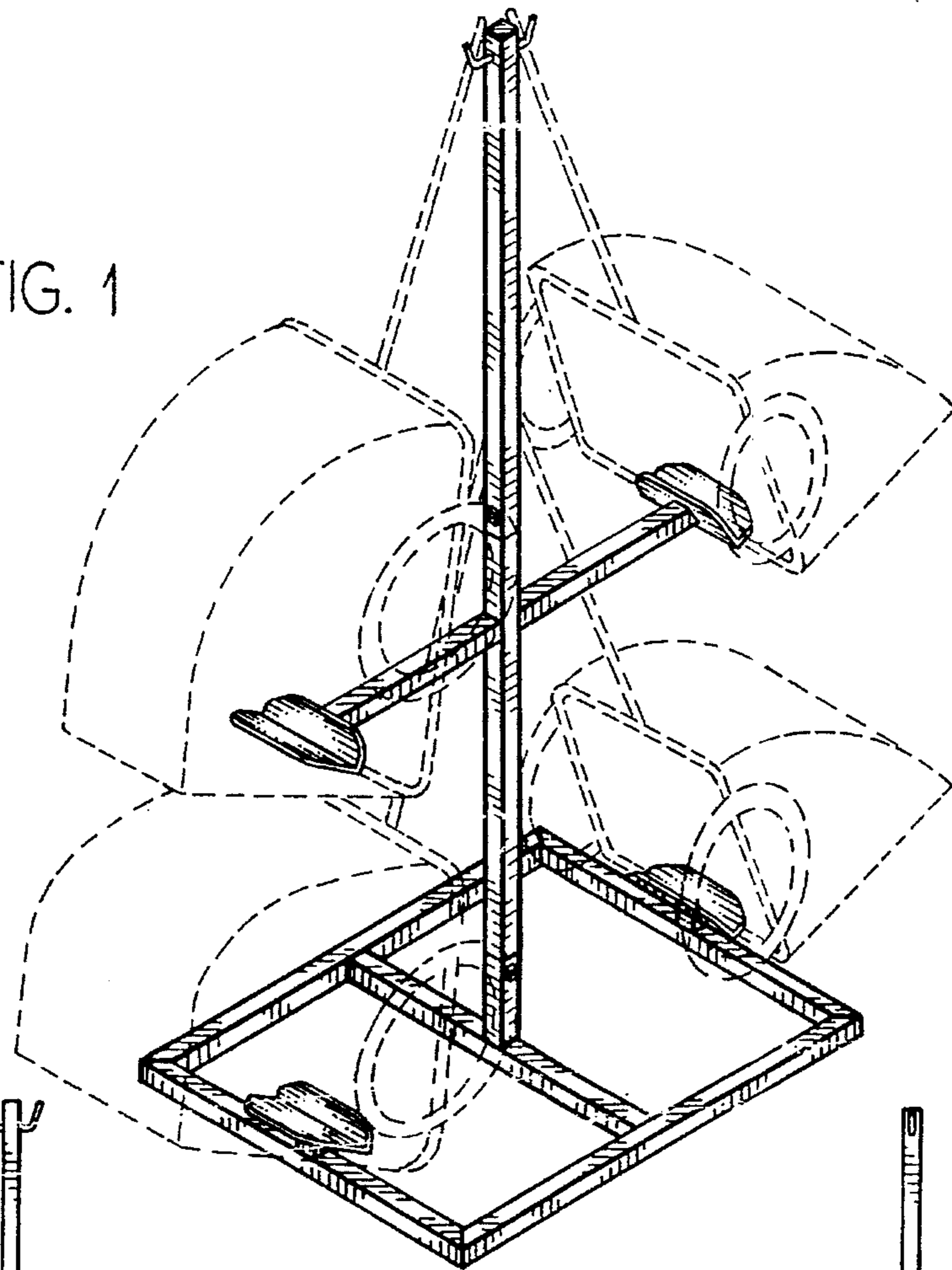


FIG. 2

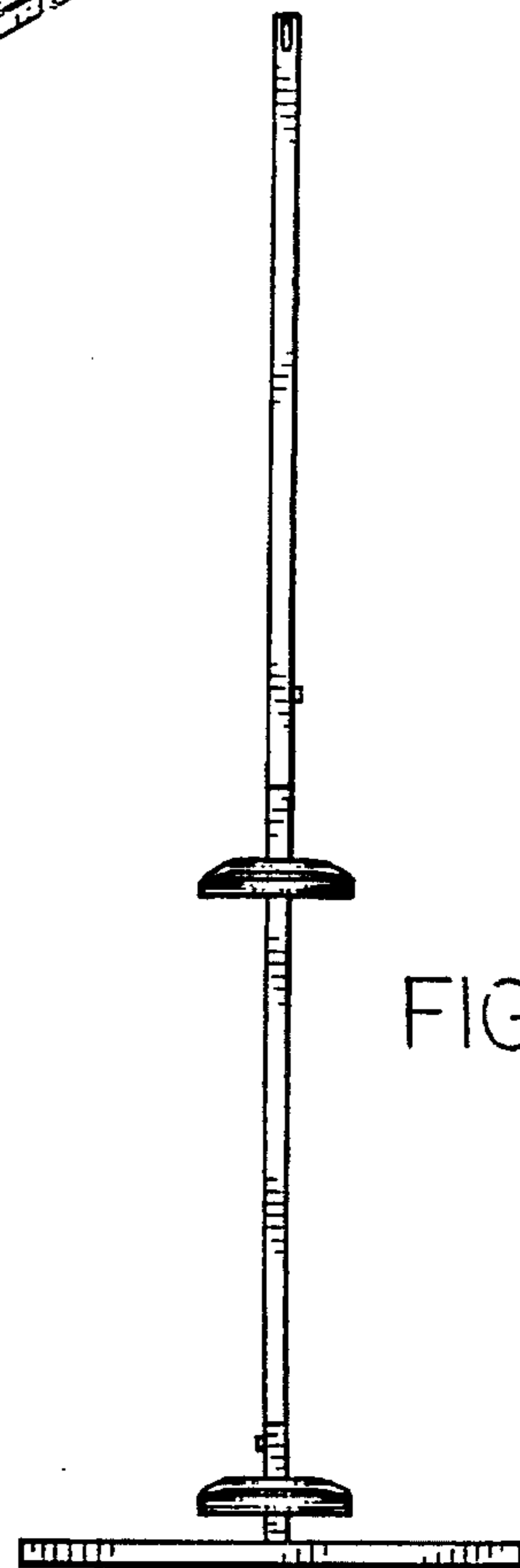


FIG. 3

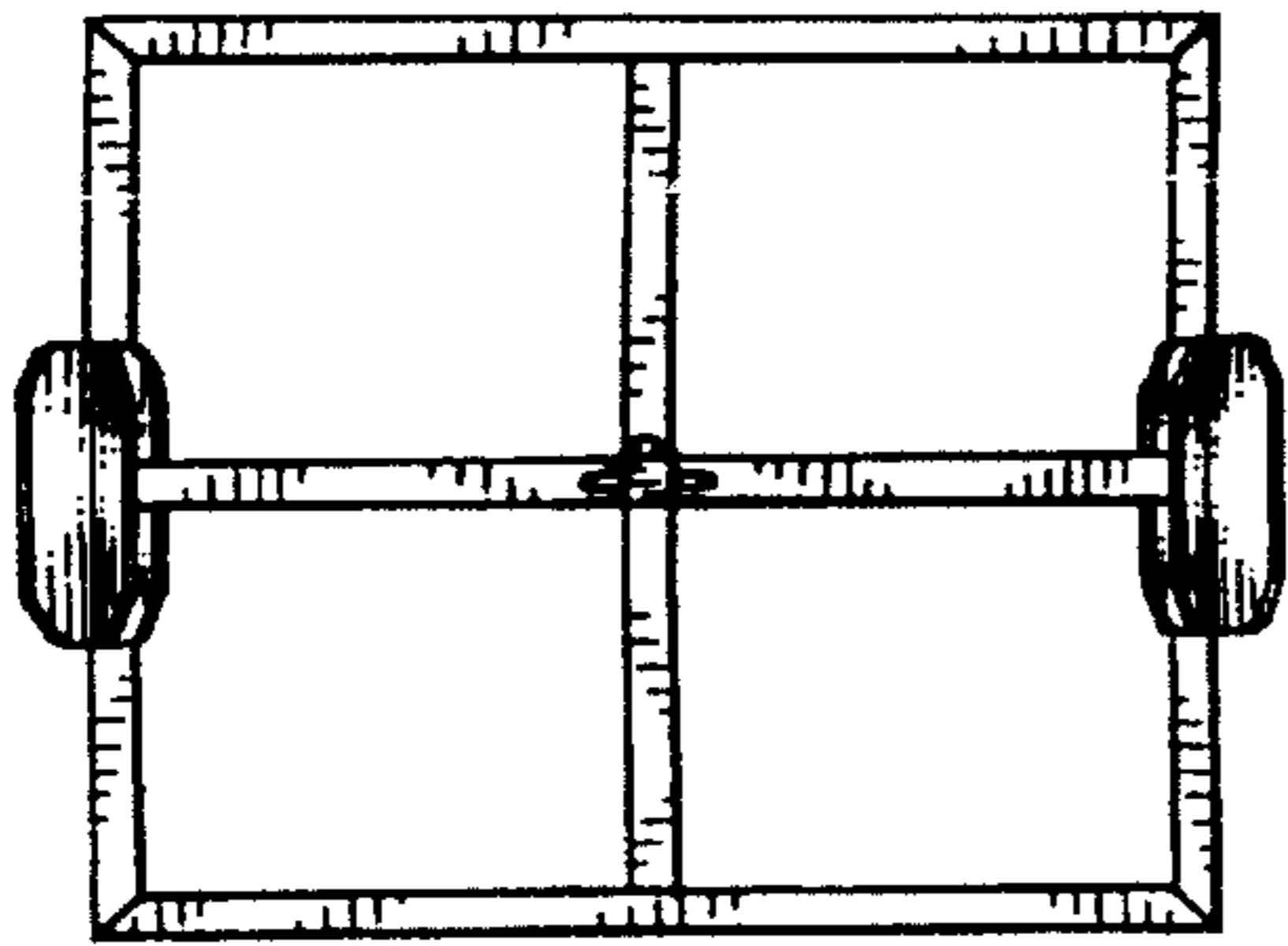


FIG. 6

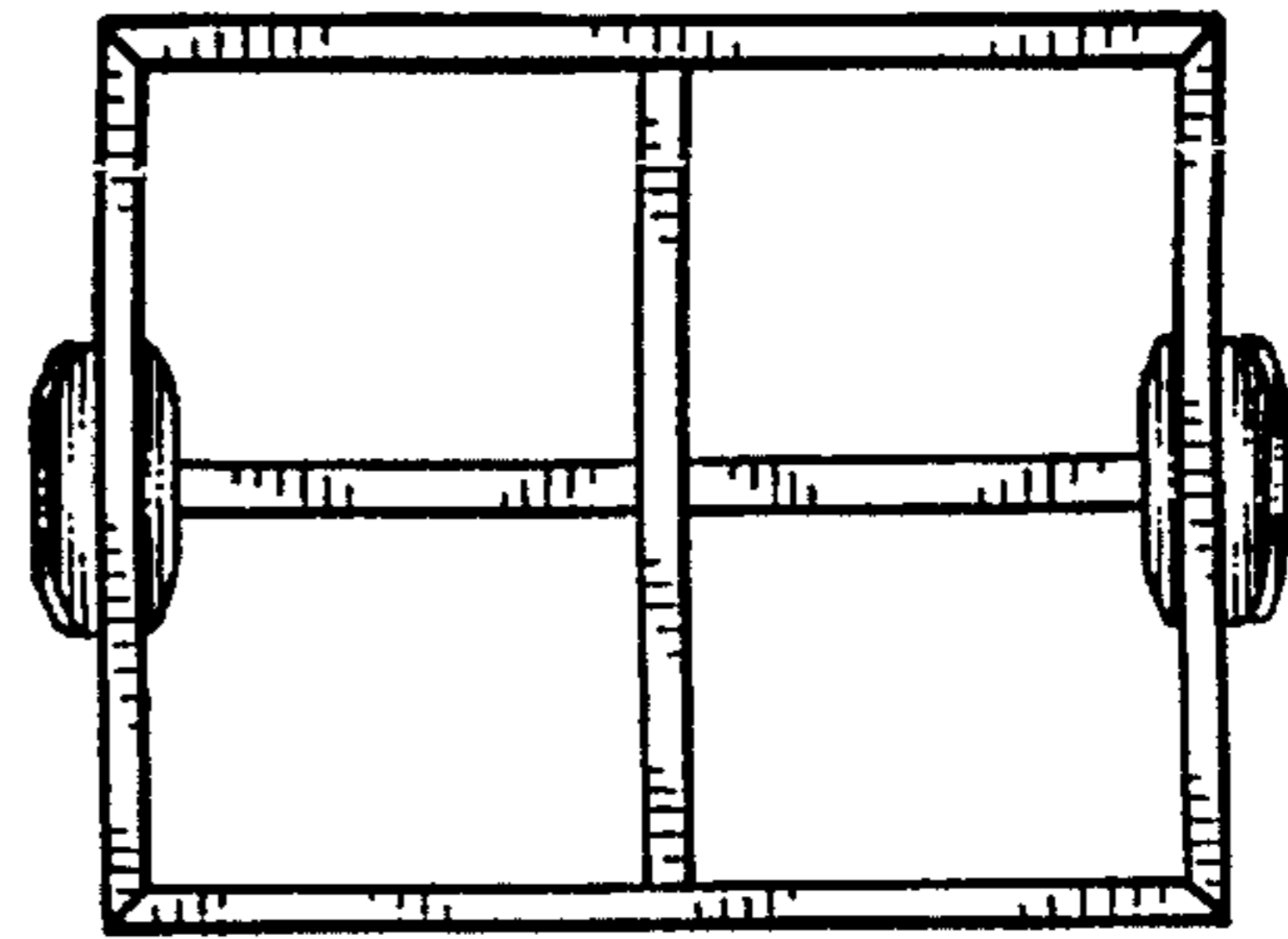


FIG. 7

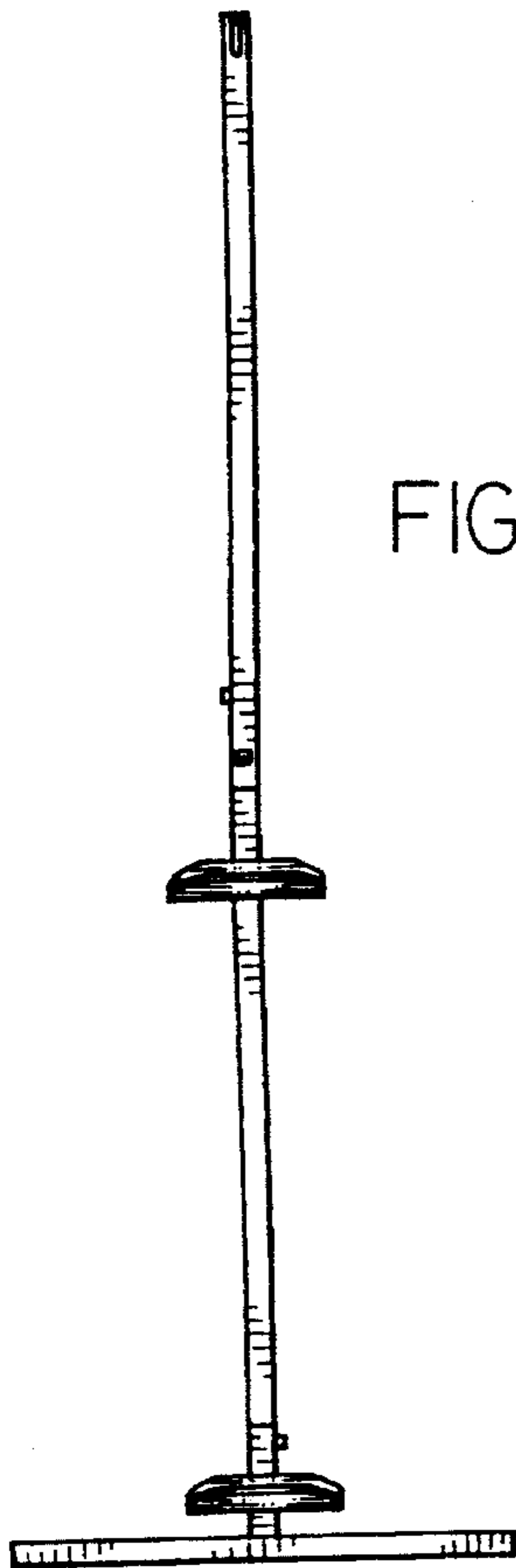


FIG. 4

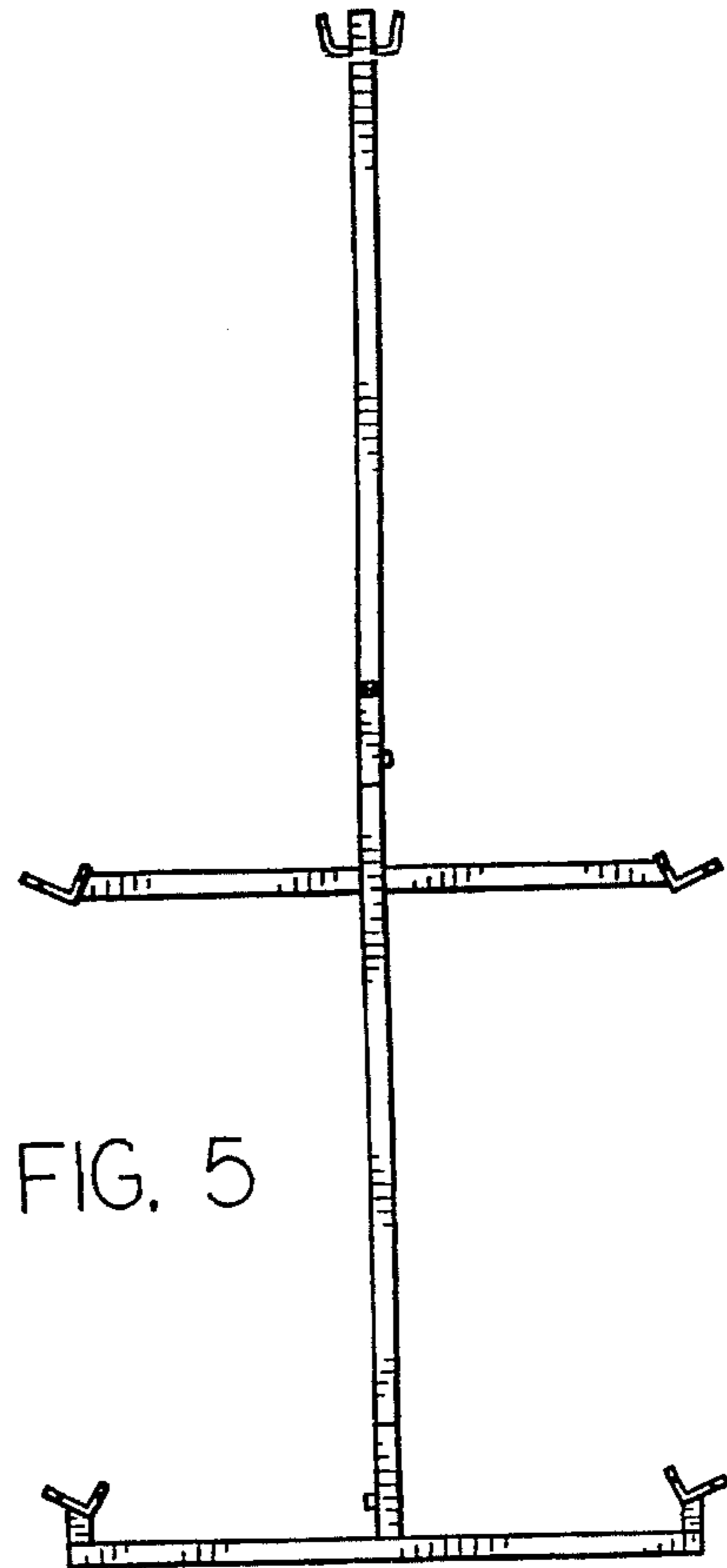


FIG. 5