



US00D369568S

United States Patent [19]

[11] Patent Number: **Des. 369,568**

Sloot

[45] Date of Patent: ****May 7, 1996**

[54] **BICYCLE REFLECTOR**

[75] Inventor: **Alexander Sloot**, Sugarloaf, Pa.

[73] Assignee: **Printmark Industries, Inc.**, Hazelton, Pa.

[**] Term: **14 Years**

[21] Appl. No.: **39,017**

[22] Filed: **May 18, 1995**

[52] U.S. Cl. **D10/111**

[58] Field of Search D10/104, 109, D10/111, 121; 359/515, 516, 518, 519, 520, 521, 523, 528, 529, 531, 532, 533

[56] **References Cited**

U.S. PATENT DOCUMENTS

D. 321,147	10/1991	Schubert	D10/111
D. 344,246	2/1994	Craver et al.	D10/111
2,078,103	4/1937	Simmons .	
2,610,548	9/1952	Isenberg	D10/111
3,525,088	8/1970	Thummel .	
3,707,319	12/1972	Pawsat et al. .	
3,768,433	10/1973	Dian et al. .	
3,871,336	3/1975	Bergman .	
3,895,855	7/1975	Nagel	359/523
3,994,560	11/1976	Rice .	
3,997,184	12/1976	Riti .	
4,093,263	6/1978	Rihm .	
4,443,056	4/1984	Sullivan .	
4,852,971	8/1989	Kitrell	D10/111
5,169,702	12/1992	Schell .	

Primary Examiner—Marcus A. Jackson

Attorney, Agent, or Firm—St. Onge Steward Johnston & Reens

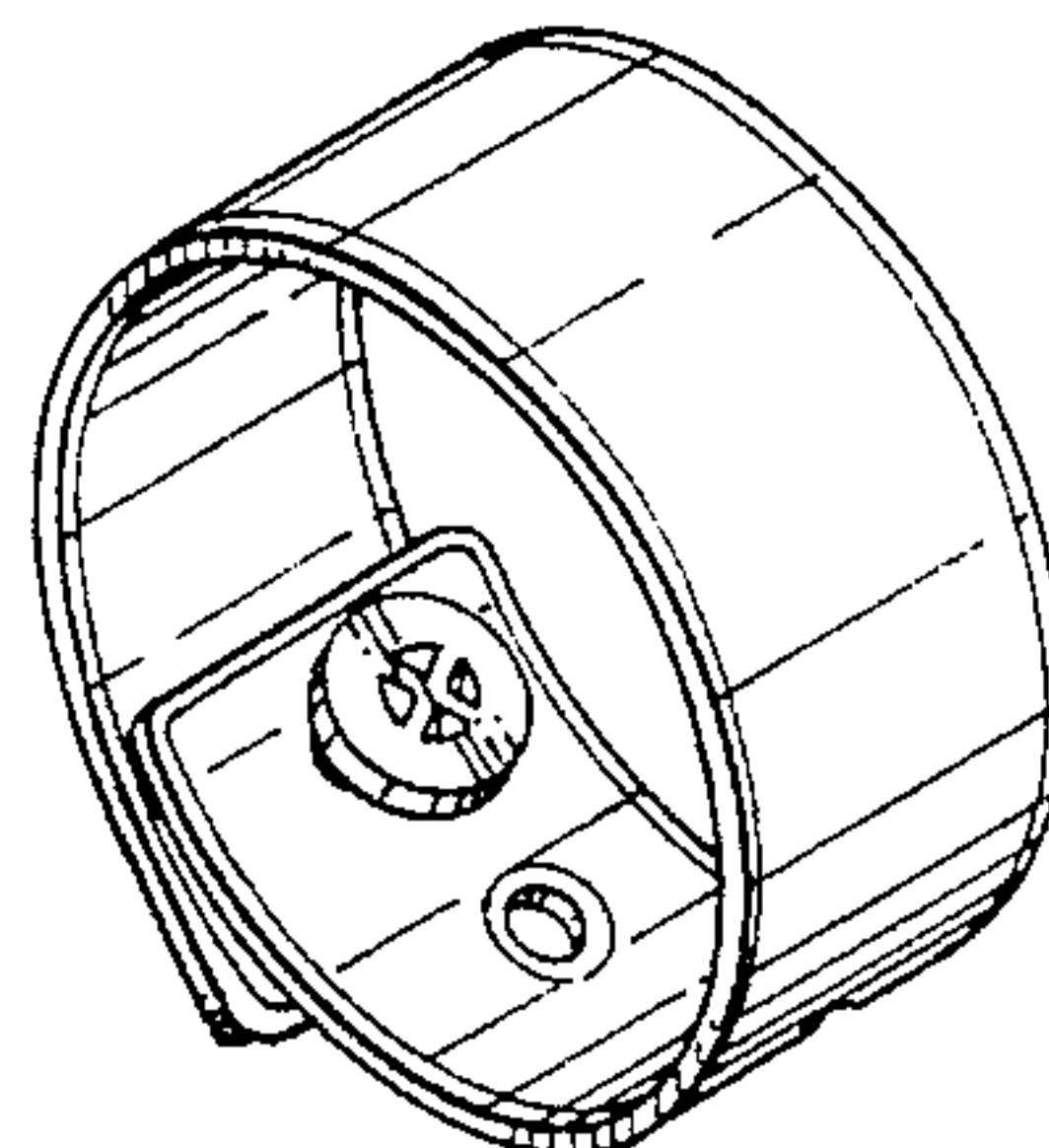
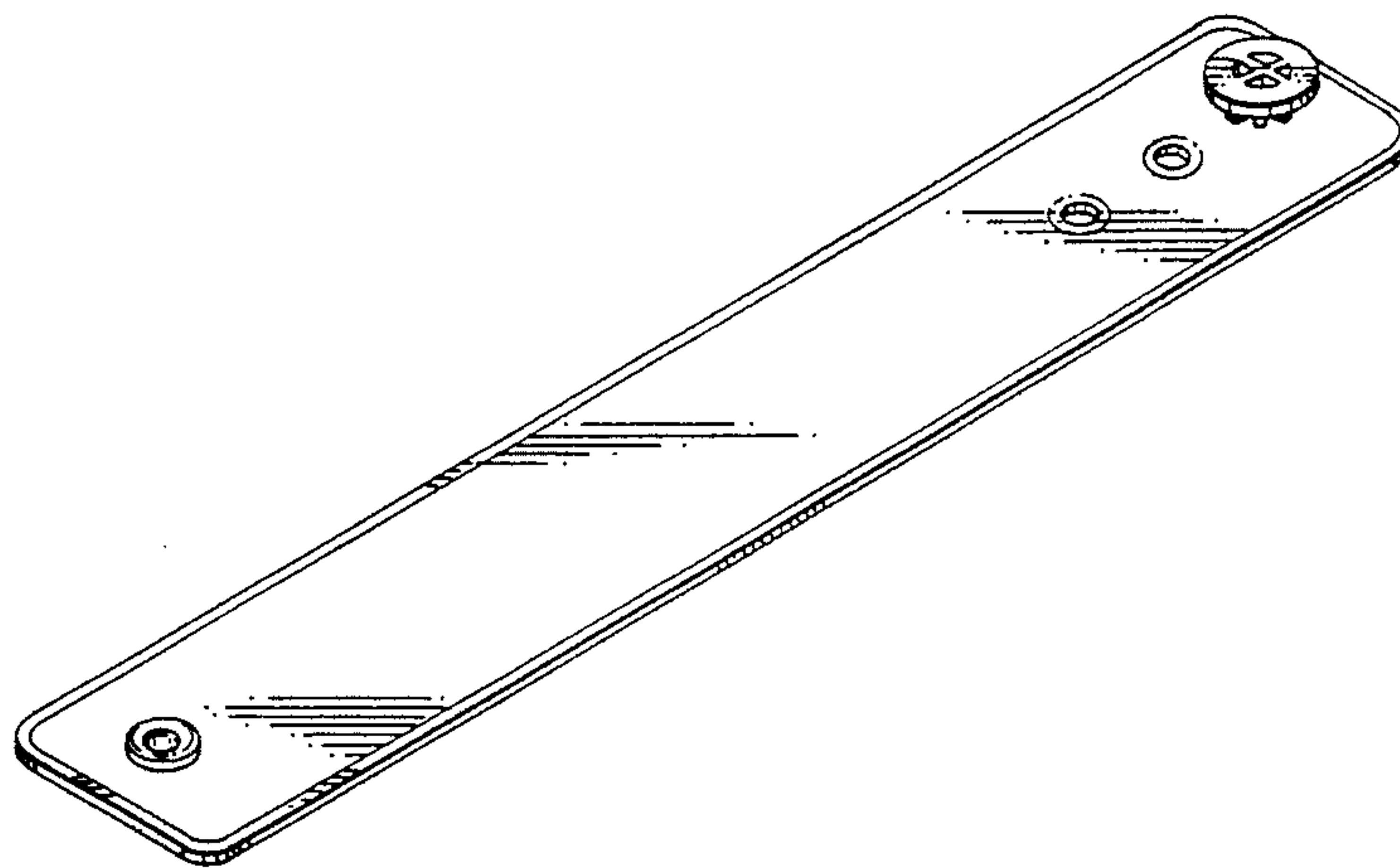
[57] **CLAIM**

The ornamental design for a bicycle reflector, as shown and described.

DESCRIPTION

FIG. 1 is a perspective view of a bicycle reflector in accordance with this invention;
 FIG. 2 is a side elevational view thereof, with the opposite side being a mirror image;
 FIG. 3 is a top view of the bicycle reflector;
 FIG. 4 is a bottom view of the bicycle reflector;
 FIG. 5 is an end view of one end of the bicycle reflector;
 FIG. 6 is an end view of another end of the bicycle reflector;
 FIG. 7 is one perspective view of the coiled locked form of the bicycle reflector;
 FIG. 8 is another perspective view of the coiled locked form of the bicycle reflector;
 FIG. 9 is side elevational view thereof, with the opposite side being a mirror image, with the reflector shown in a coiled position;
 FIG. 10 is a top view, as in FIG. 4, but of the coiled locked form of the bicycle reflector; and,
 FIG. 11 is a bottom plan view thereof, with the broken line showing for illustrative purposes only and forming no part of the claimed design.

1 Claim, 2 Drawing Sheets



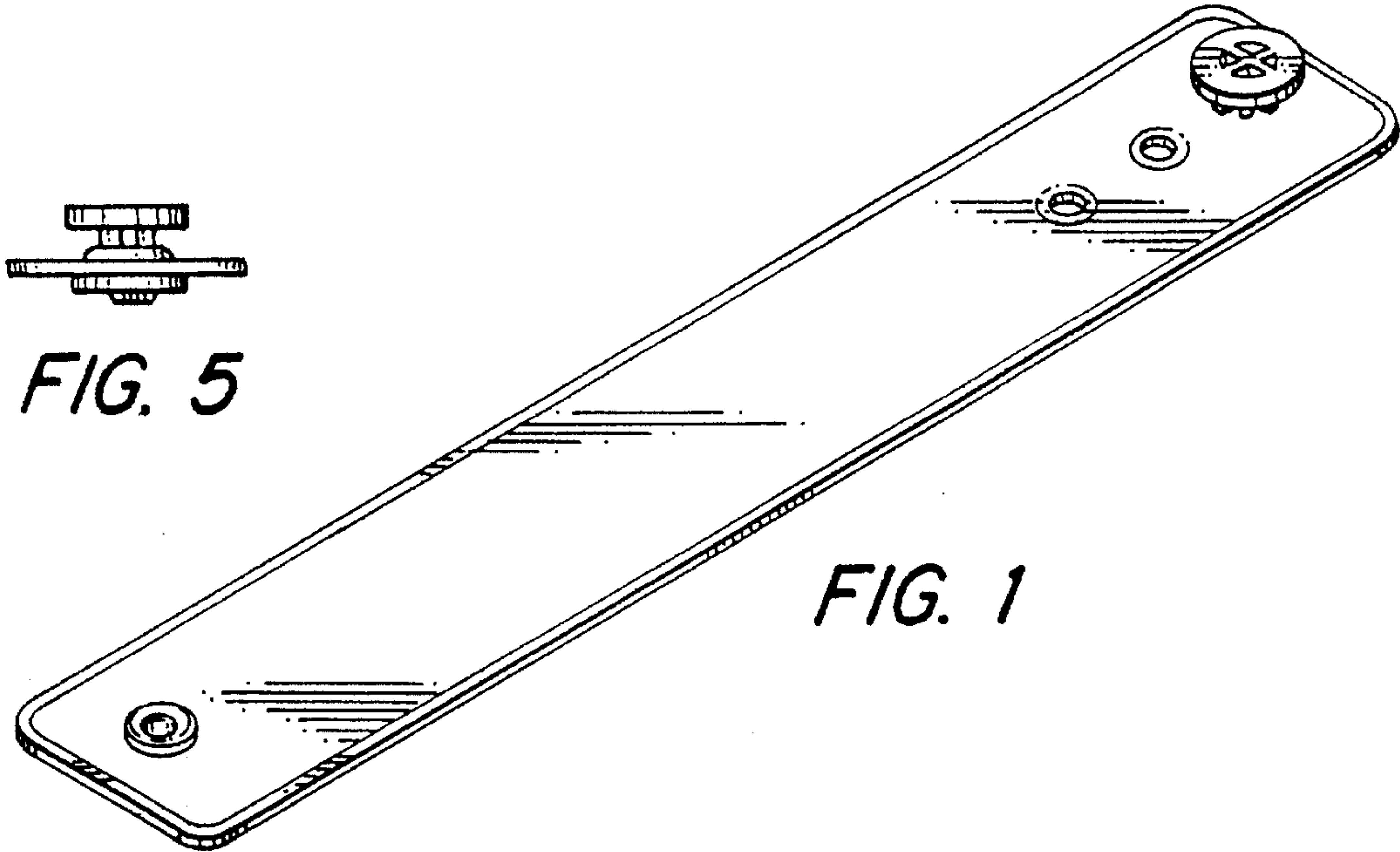


FIG. 5

FIG. 1



FIG. 2

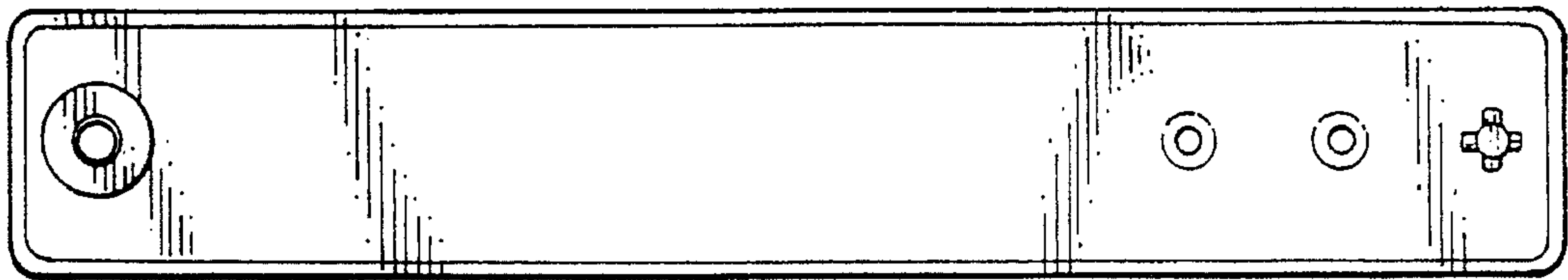


FIG. 4



FIG. 6

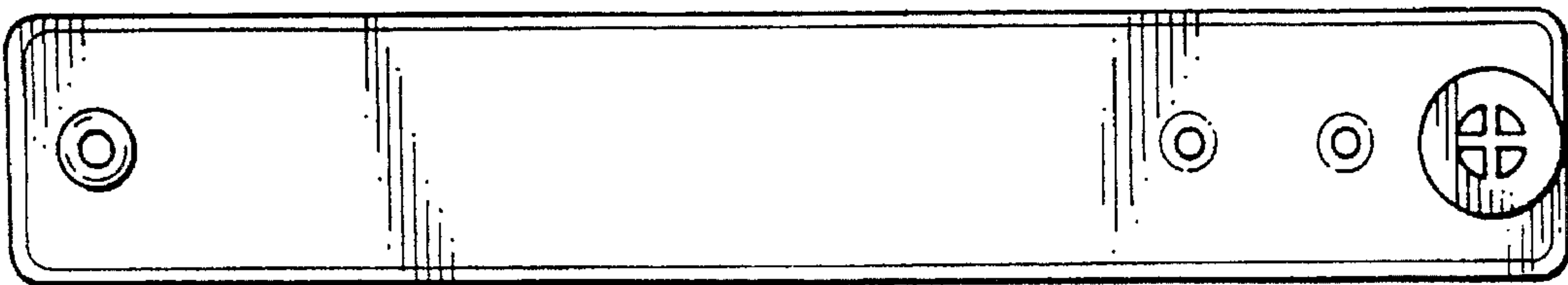


FIG. 3

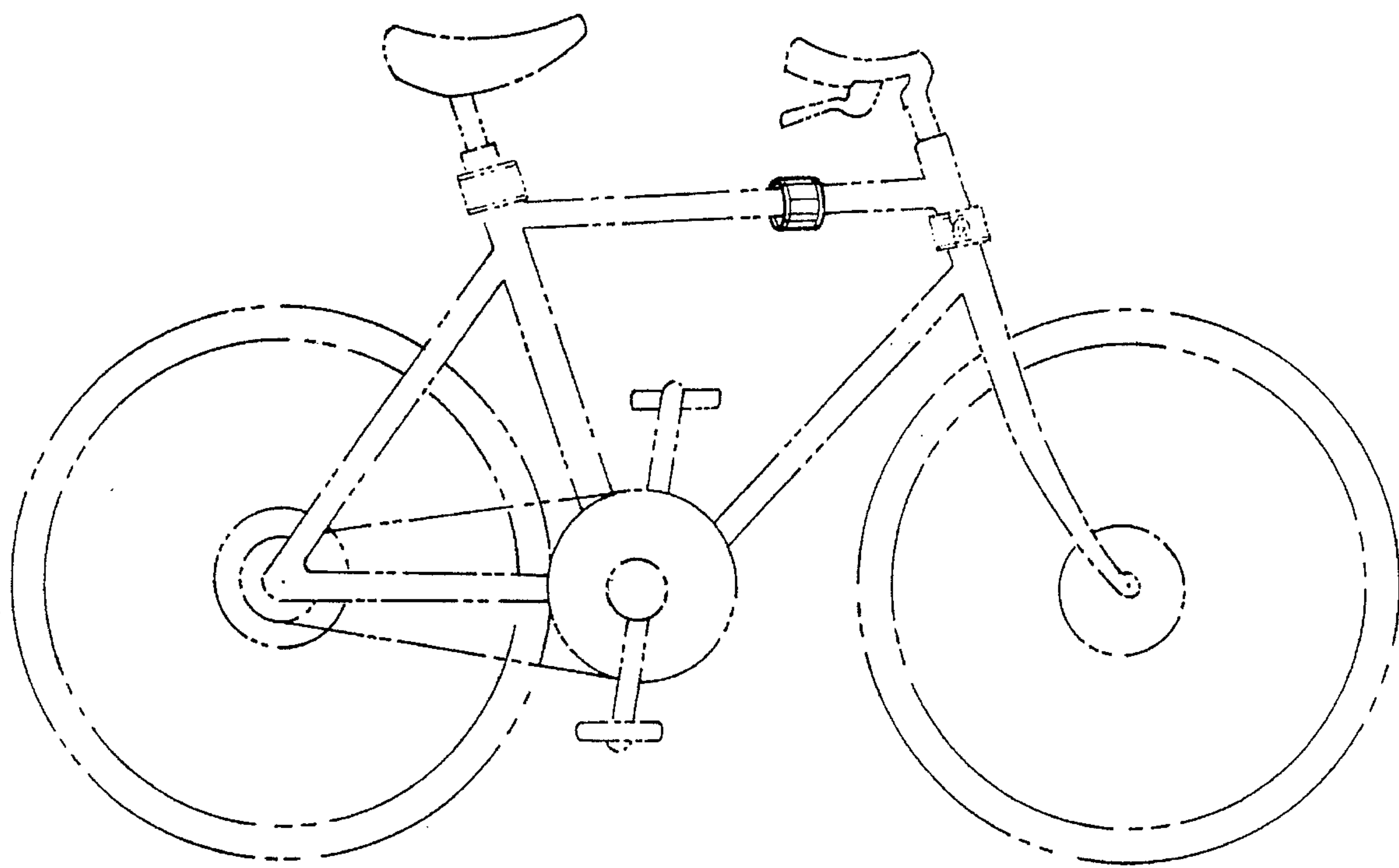


FIG. 11

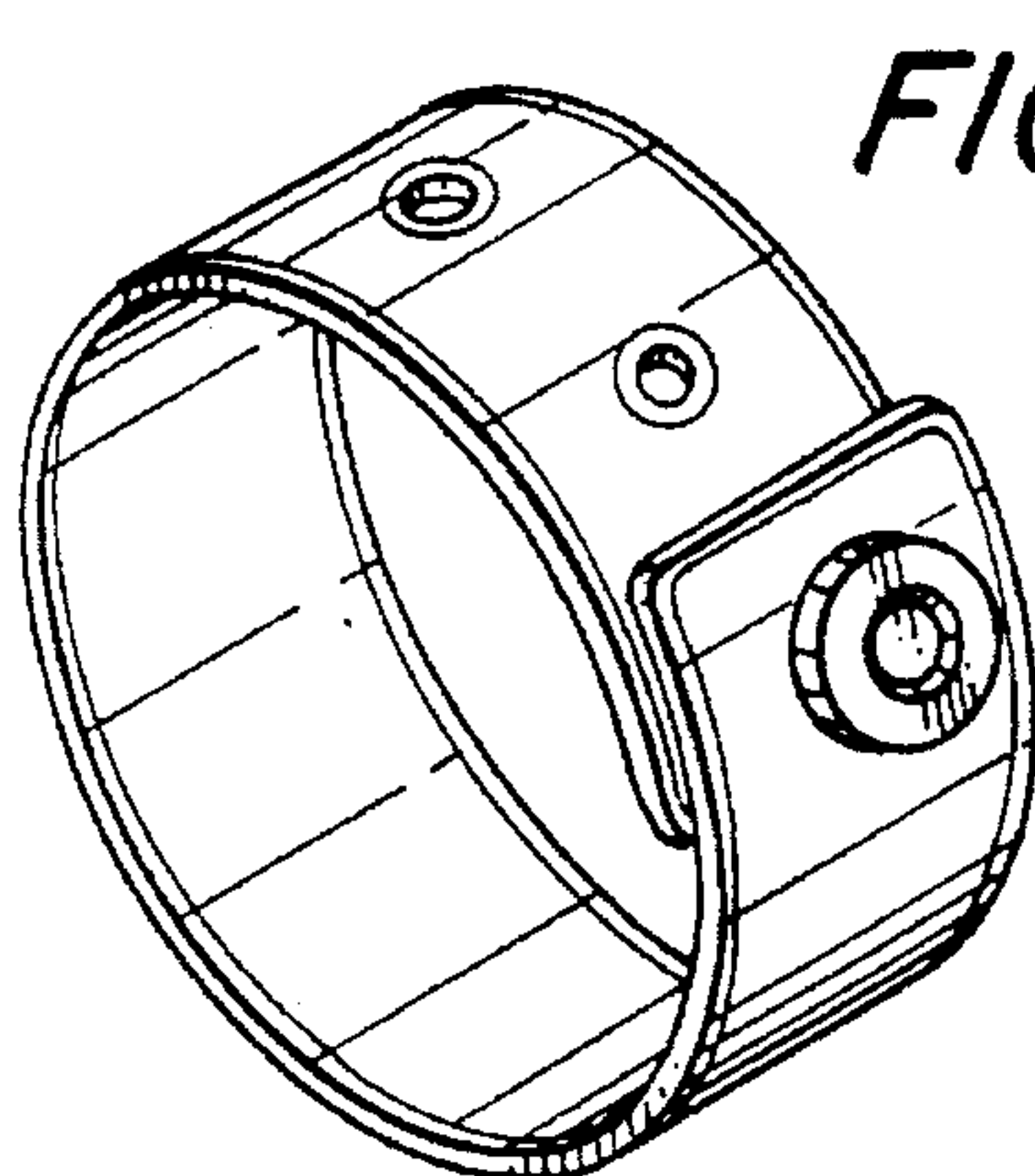


FIG. 7

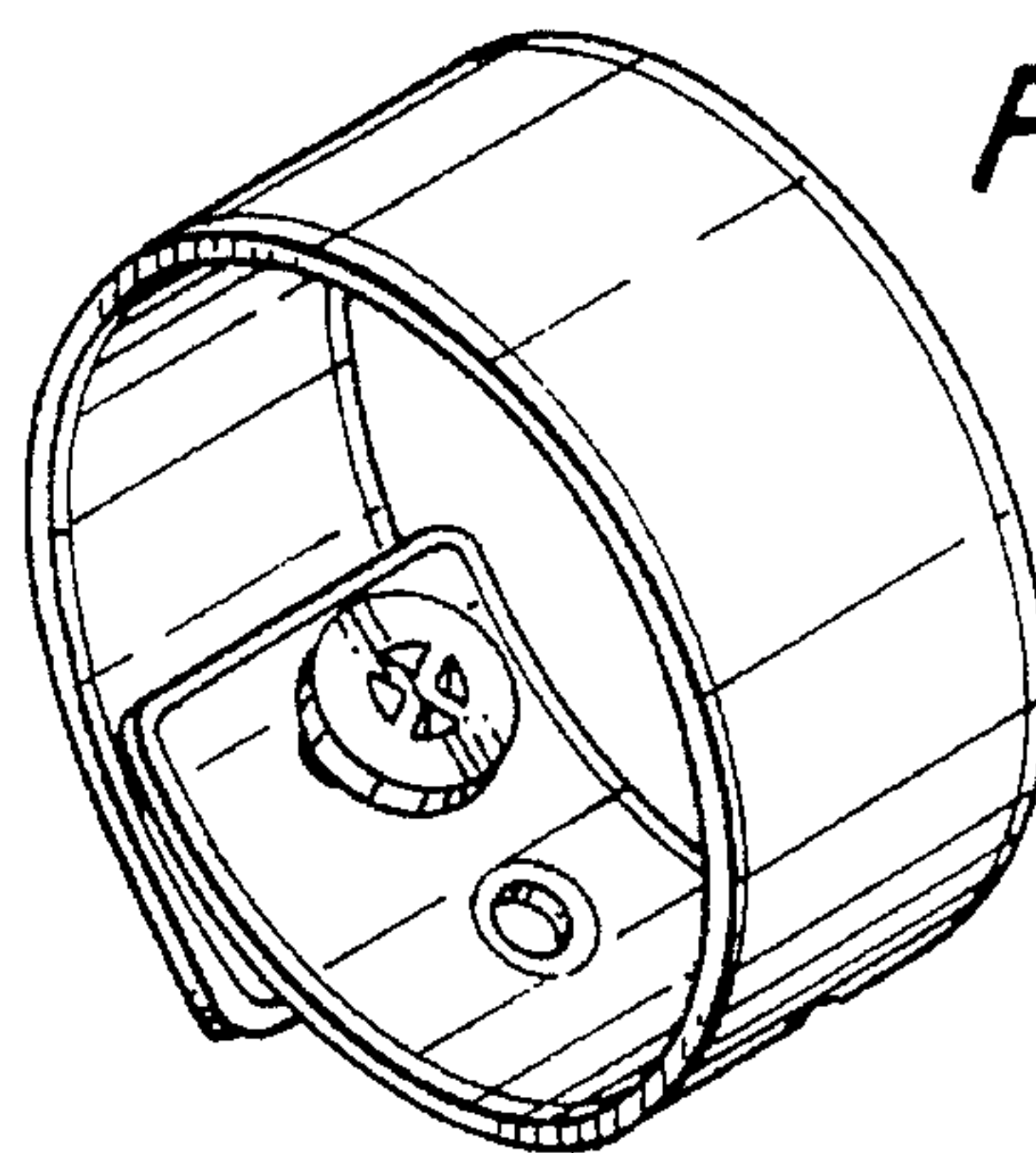


FIG. 8

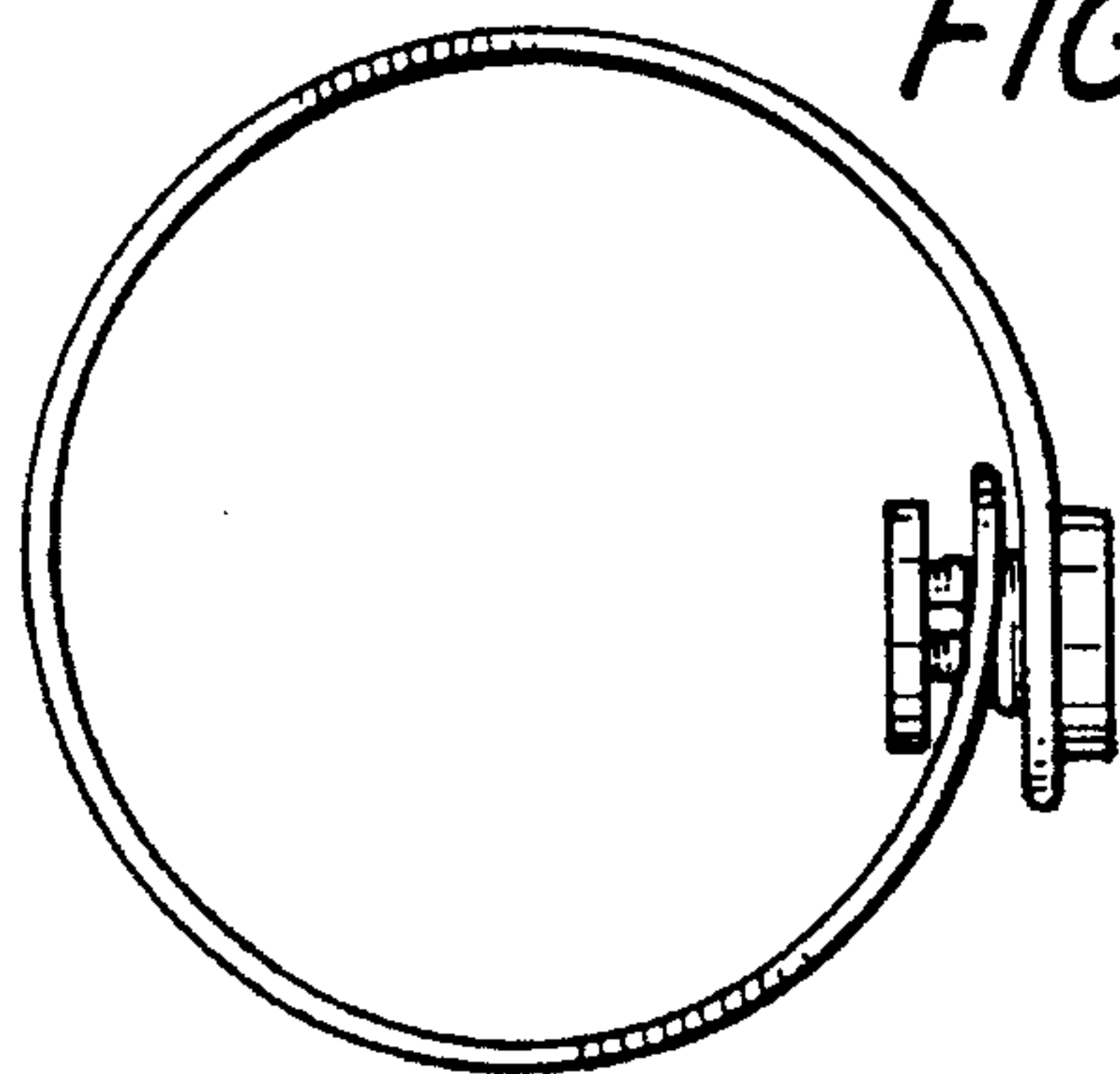


FIG. 9

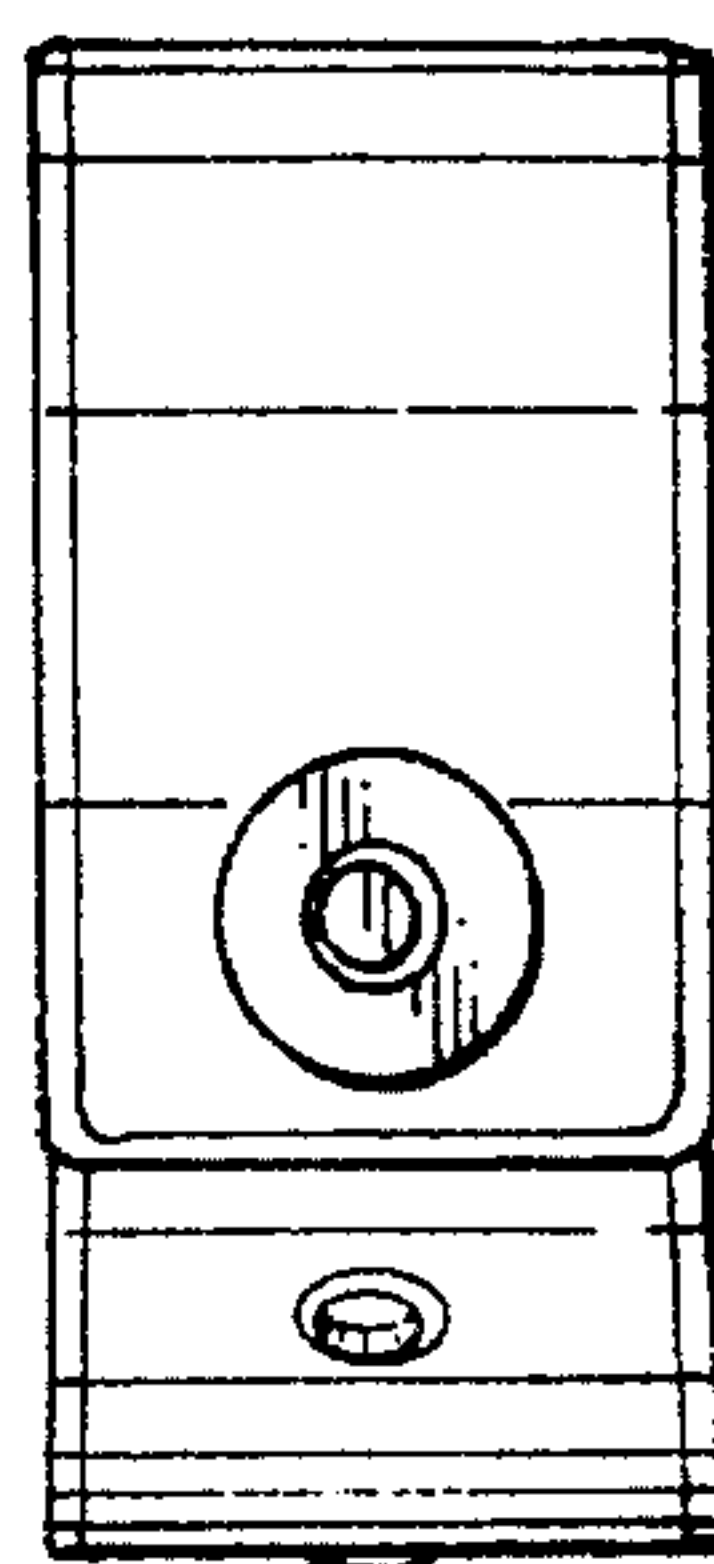


FIG. 10