



US00D369567S

**United States Patent** [19]  
**Torngren**

[11] **Patent Number:** **Des. 369,567**  
[45] **Date of Patent:** **\*\*May 7, 1996**

[54] **COMBINED BUSY STICK AND SWIVEL**

*Attorney, Agent, or Firm*—John A. Haug

[76] Inventor: **Frank A. Torngren**, 39 Slater St.,  
Attleboro, Mass. 02703

[57] **CLAIM**

[\*\*] Term: **14 Years**

The ornamental design for a combined buoy stick and swivel, as shown and described.

[21] Appl. No.: **16,285**

**DESCRIPTION**

[22] Filed: **Dec. 13, 1993**

[52] U.S. Cl. .... **D10/107**

[58] Field of Search ..... D10/104, 107,  
D10/109, 121; 441/1, 6, 10, 11, 13; 116/107;  
9/8 R, 8.3 R

FIG. 1 is a front elevational view of a combined buoy stick and swivel showing my new design, with the rear being a mirror image;

FIG. 2 is a side elevational view thereof, with the opposite side being a mirror image;

[56] **References Cited**

**U.S. PATENT DOCUMENTS**

- D. 203,485 1/1966 Shepherd ..... D10/107
- D. 257,506 11/1980 Plante ..... D10/107
- D. 257,628 12/1980 Plante ..... D10/107
- D. 292,558 11/1987 Leo ..... D10/107

FIG. 3 is an enlarged fragmentary front elevational view thereof;

FIG. 4 is an enlarged fragmentary side elevational view thereof;

**OTHER PUBLICATIONS**

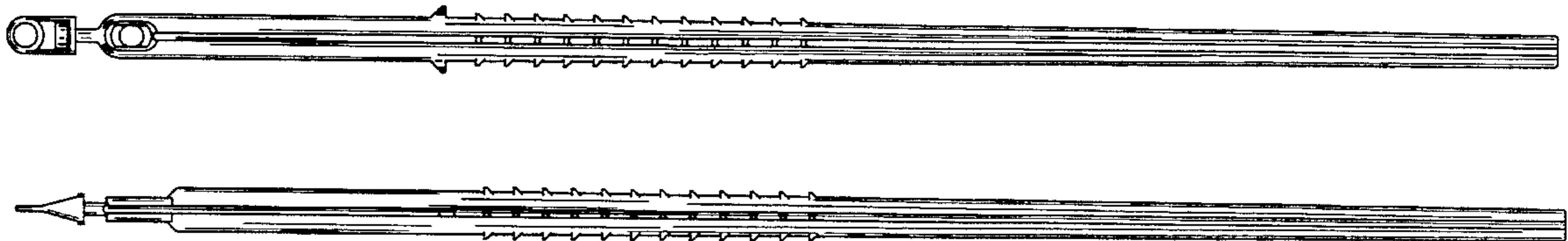
Advertising flier of Neptune Inc. regarding buoy sticks (1977).

FIG. 5 is a bottom plan view thereof; and,

FIG. 6 is a top plan view thereof.

*Primary Examiner*—Marcus A. Jackson

**1 Claim, 3 Drawing Sheets**



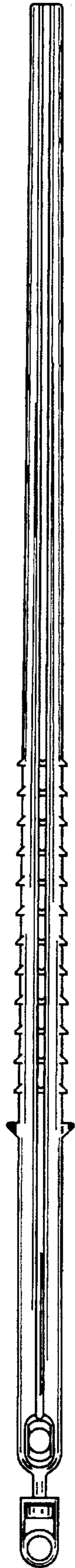


FIG. 1



FIG. 2

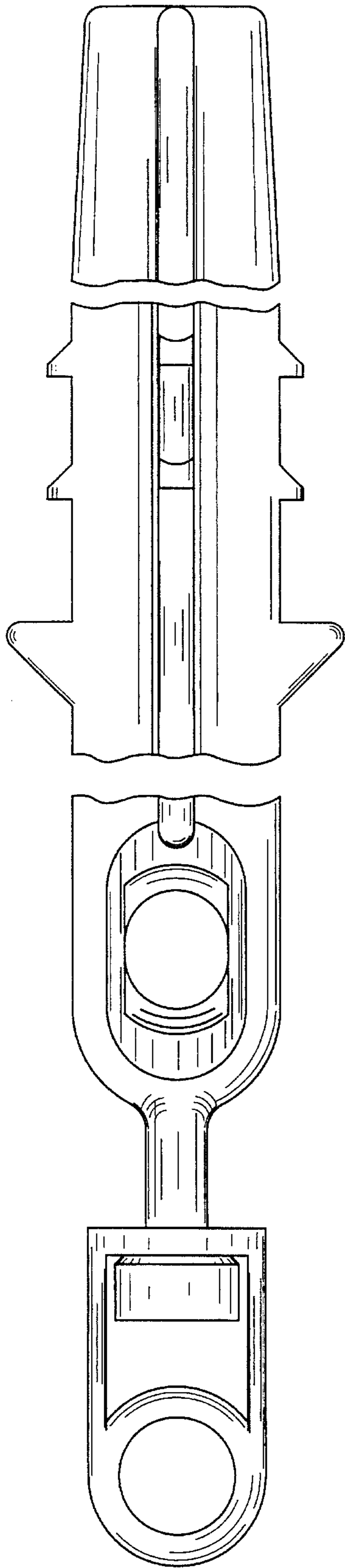


FIG. 3

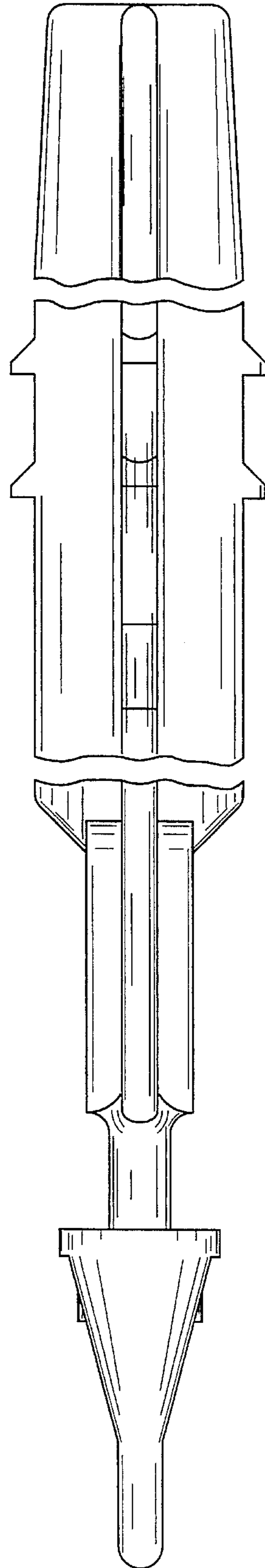


FIG. 4

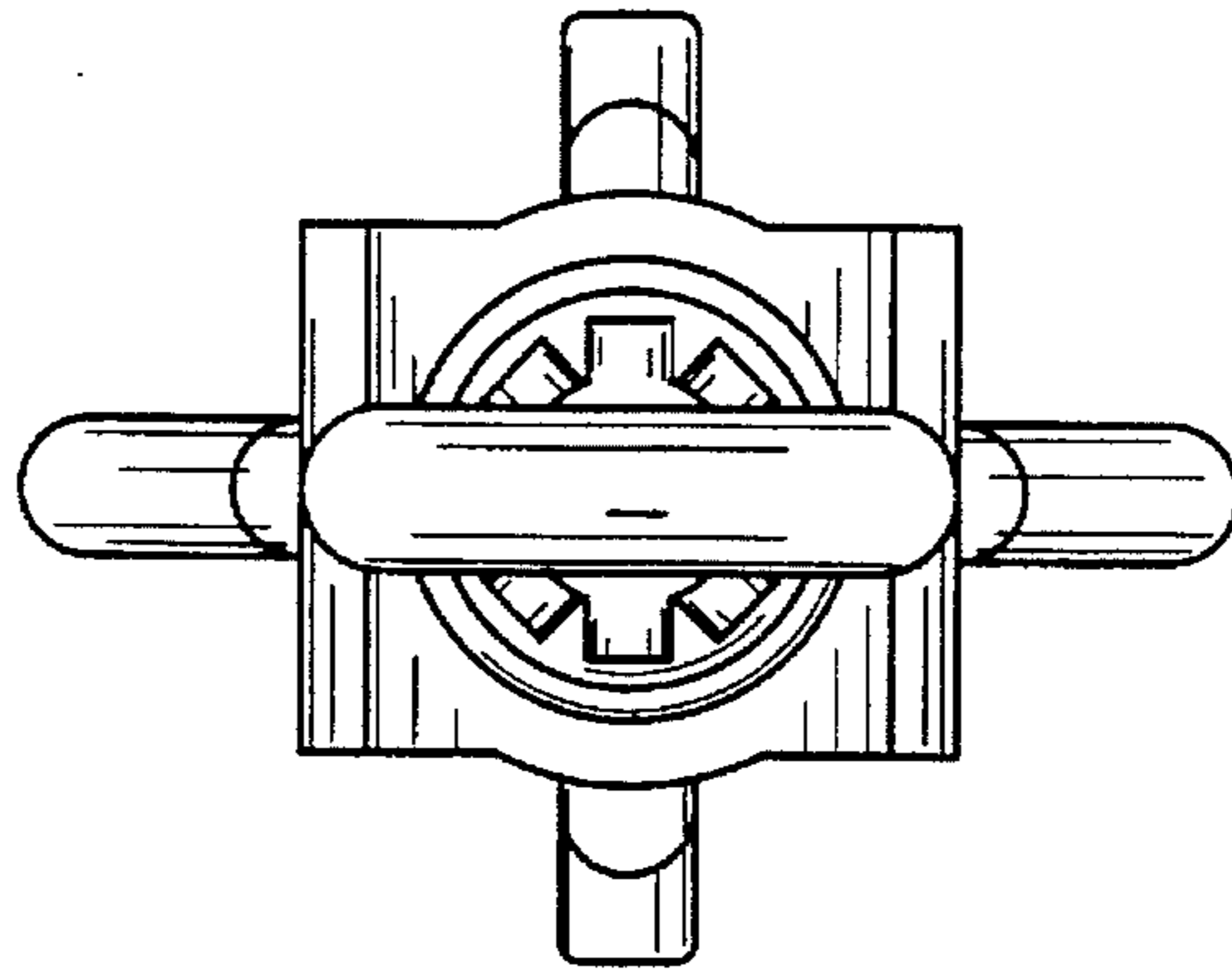


FIG. 5.

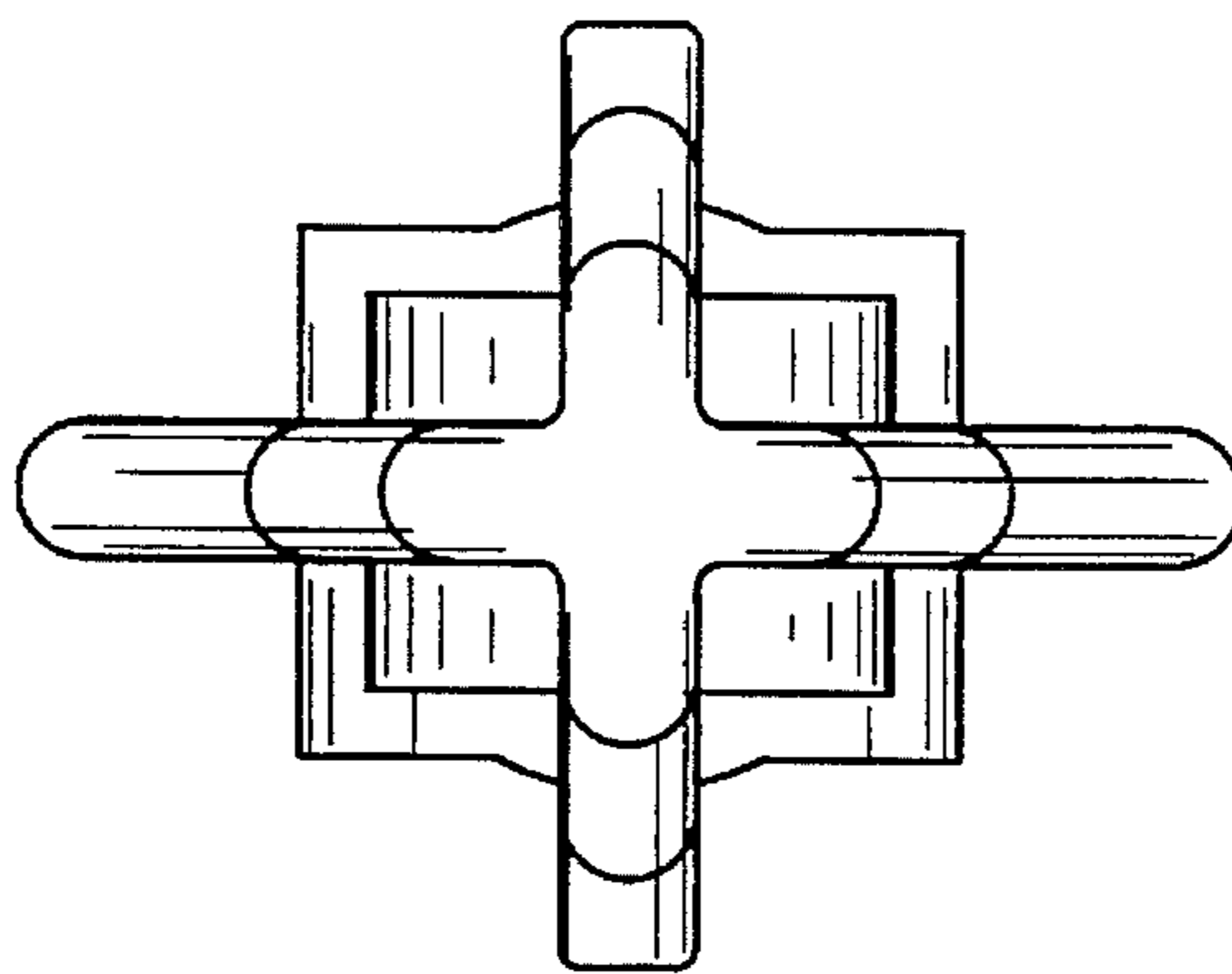


FIG. 6.

UNITED STATES PATENT AND TRADEMARK OFFICE  
CERTIFICATE OF CORRECTION

PATENT NO. : D369567  
DATED : 05/07/96  
INVENTOR(S) : FRANK A. TORNGREN

It is certified that error appears in the above-identified patent and that said Letters Patent are hereby corrected as shown below:

Title page,  
Item [54] Title; "BUSY" should read --BUOY--.

Signed and Sealed this  
Twenty-seventh Day of August, 1996

Attest:



BRUCE LEHMAN

Attesting Officer

Commissioner of Patents and Trademarks