



US00D369566S

United States Patent [19] Poon

[11] Patent Number: **Des. 369,566**

[45] Date of Patent: ****May 7, 1996**

[54] **CARBON MONOXIDE DETECTOR**

[75] Inventor: **Alan Poon**, Brampton, Canada

[73] Assignee: **Patrick Plastics Inc.**, Weston, Canada

[**] Term: **14 Years**

[21] Appl. No.: **39,420**

[22] Filed: **May 30, 1995**

[52] U.S. Cl. **D10/106; D10/81**

[58] Field of Search D10/81, 106; 204/153.14,
204/153.16, 153.18, 412, 431, 432, 433;
340/628-634

[56] **References Cited**

U.S. PATENT DOCUMENTS

- D. 305,881 2/1990 Bergeron D10/106 X
- D. 308,646 6/1990 Griik D10/81
- D. 350,300 9/1994 Browning et al. D10/106

Primary Examiner—Antoine Duval Davis

[57] **CLAIM**

The ornamental design for a carbon monoxide detector, as shown and described.

DESCRIPTION

FIG. 1 is a perspective view of the carbon monoxide detector;

FIG. 2 is a top plan view of the carbon monoxide detector;

FIG. 3 is a front plan view of the carbon monoxide detector;

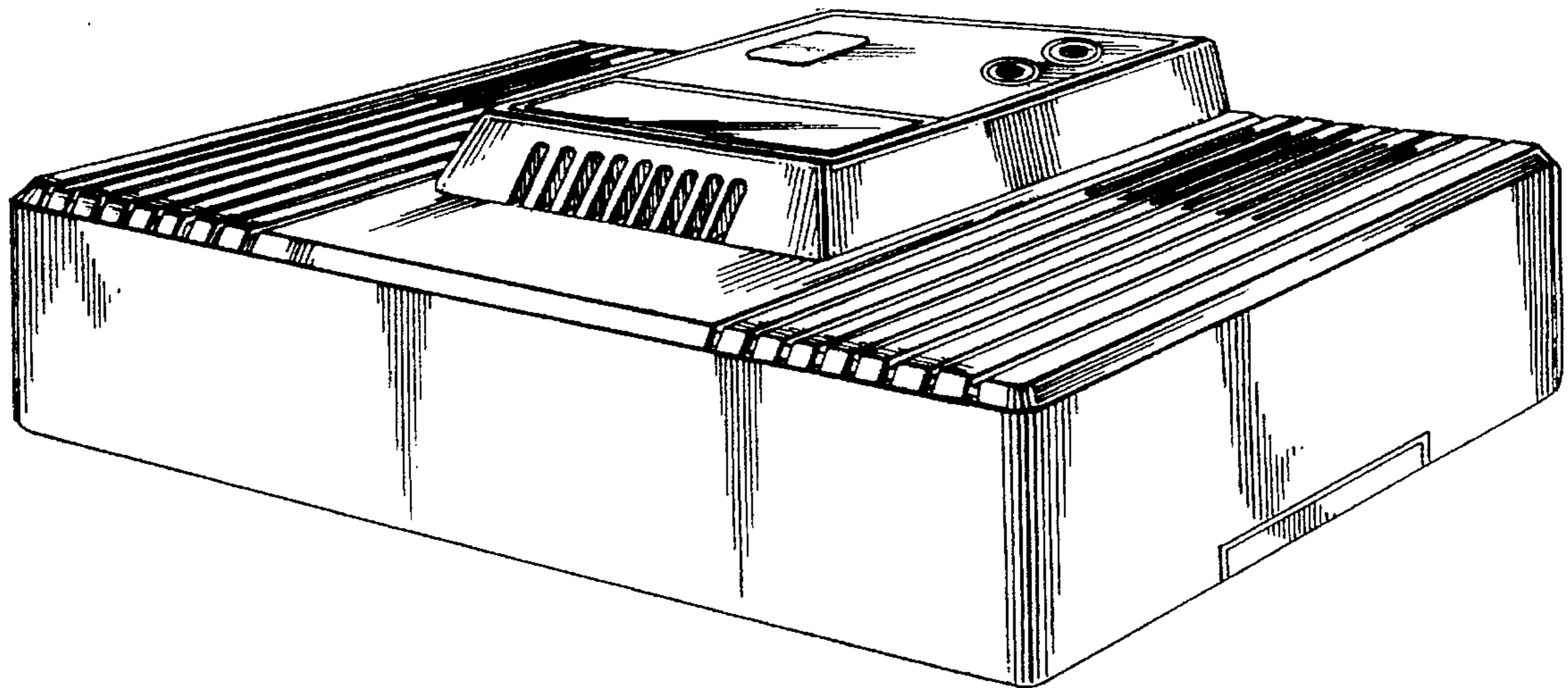
FIG. 4 is a back plan view of the carbon monoxide detector;

FIG. 5 is an end plan view of the carbon monoxide detector;

FIG. 6 is another end plan view of the carbon monoxide detector; and,

FIG. 7 is a bottom plan view of the carbon monoxide detector.

1 Claim, 3 Drawing Sheets



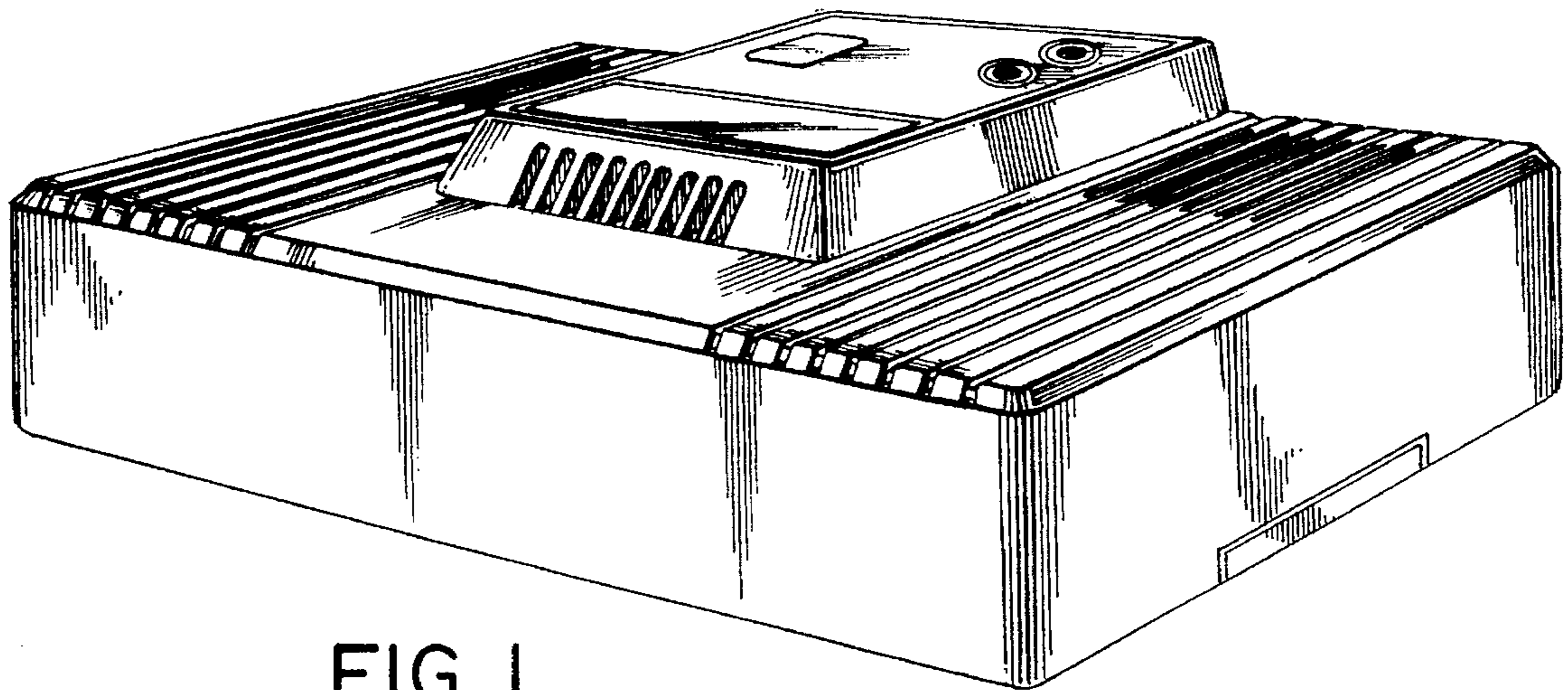


FIG. 1

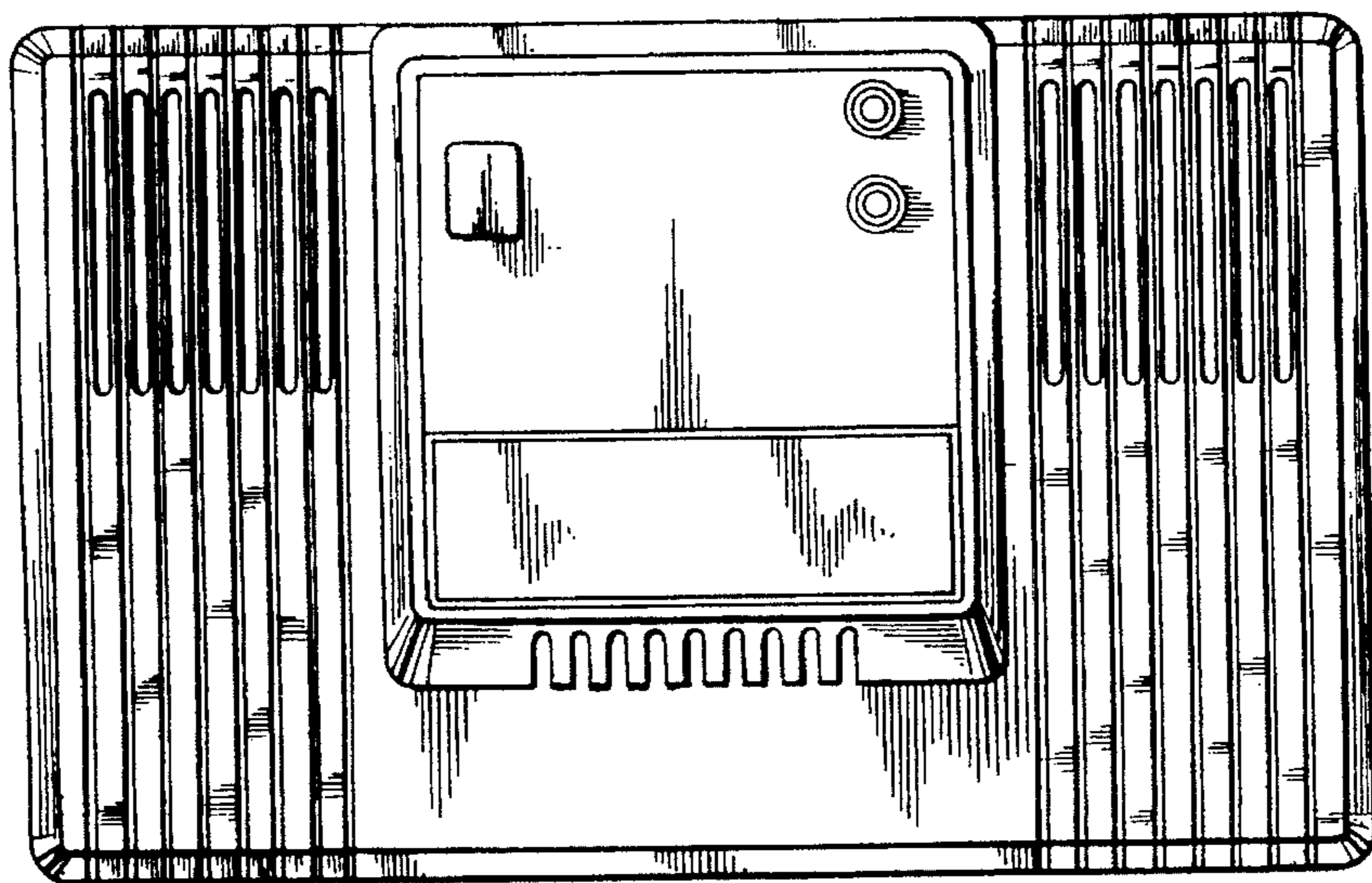


FIG. 2

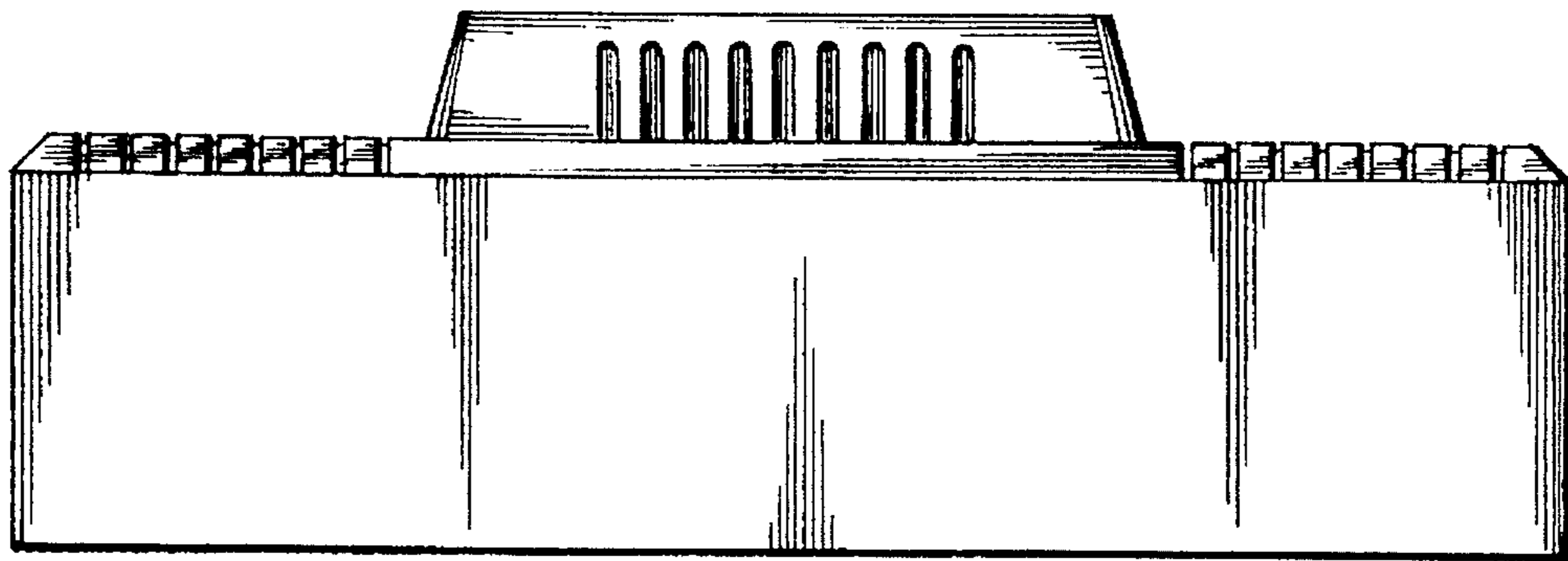


FIG. 3

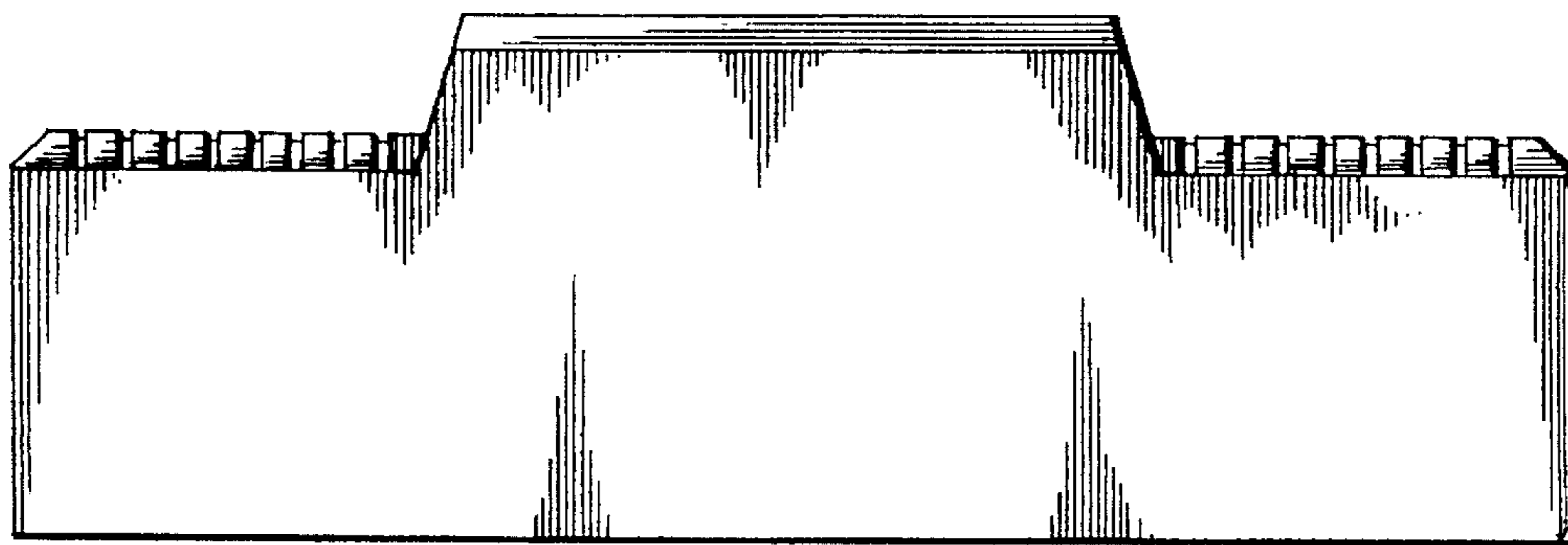


FIG. 4

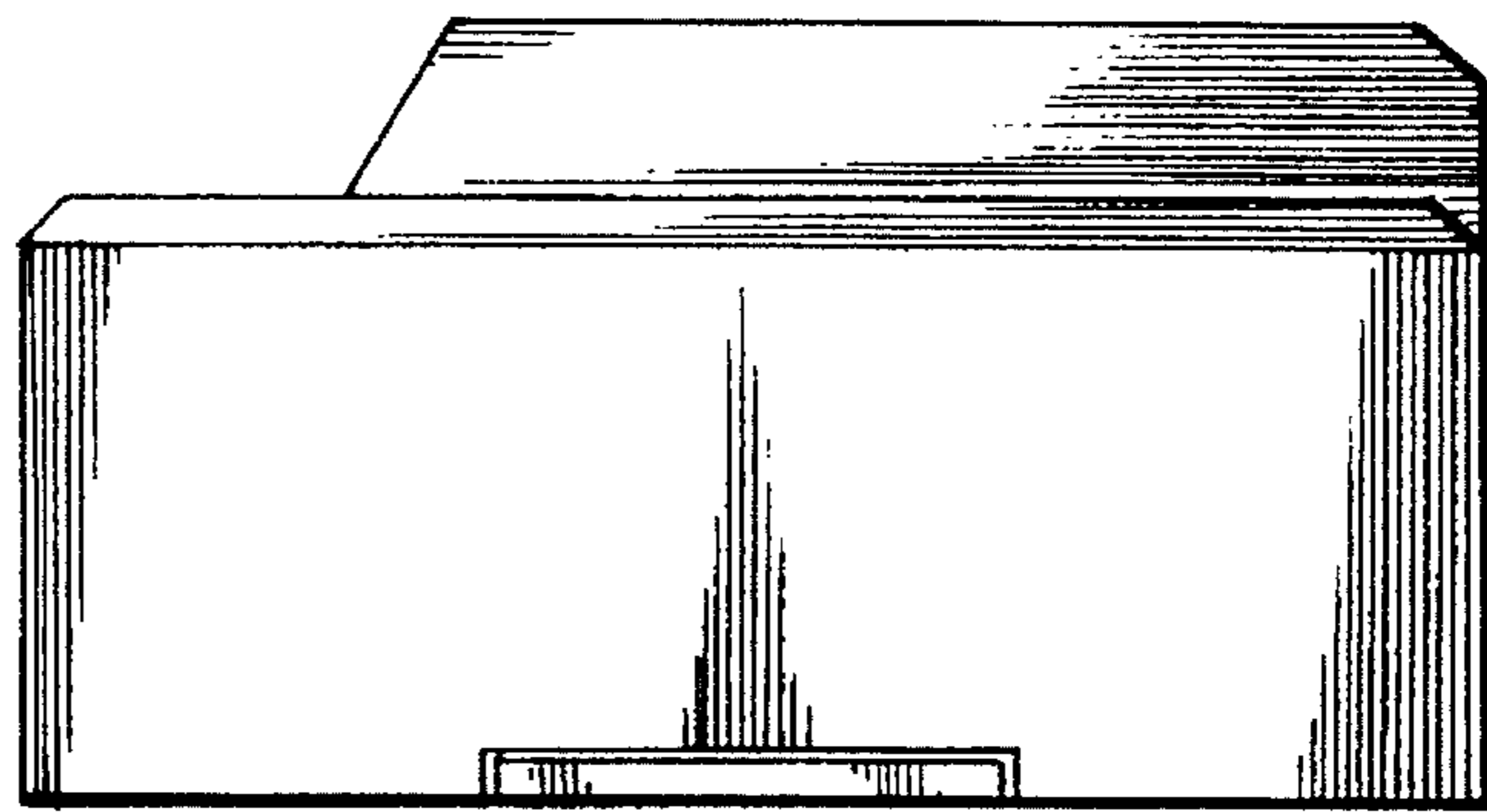


FIG. 5

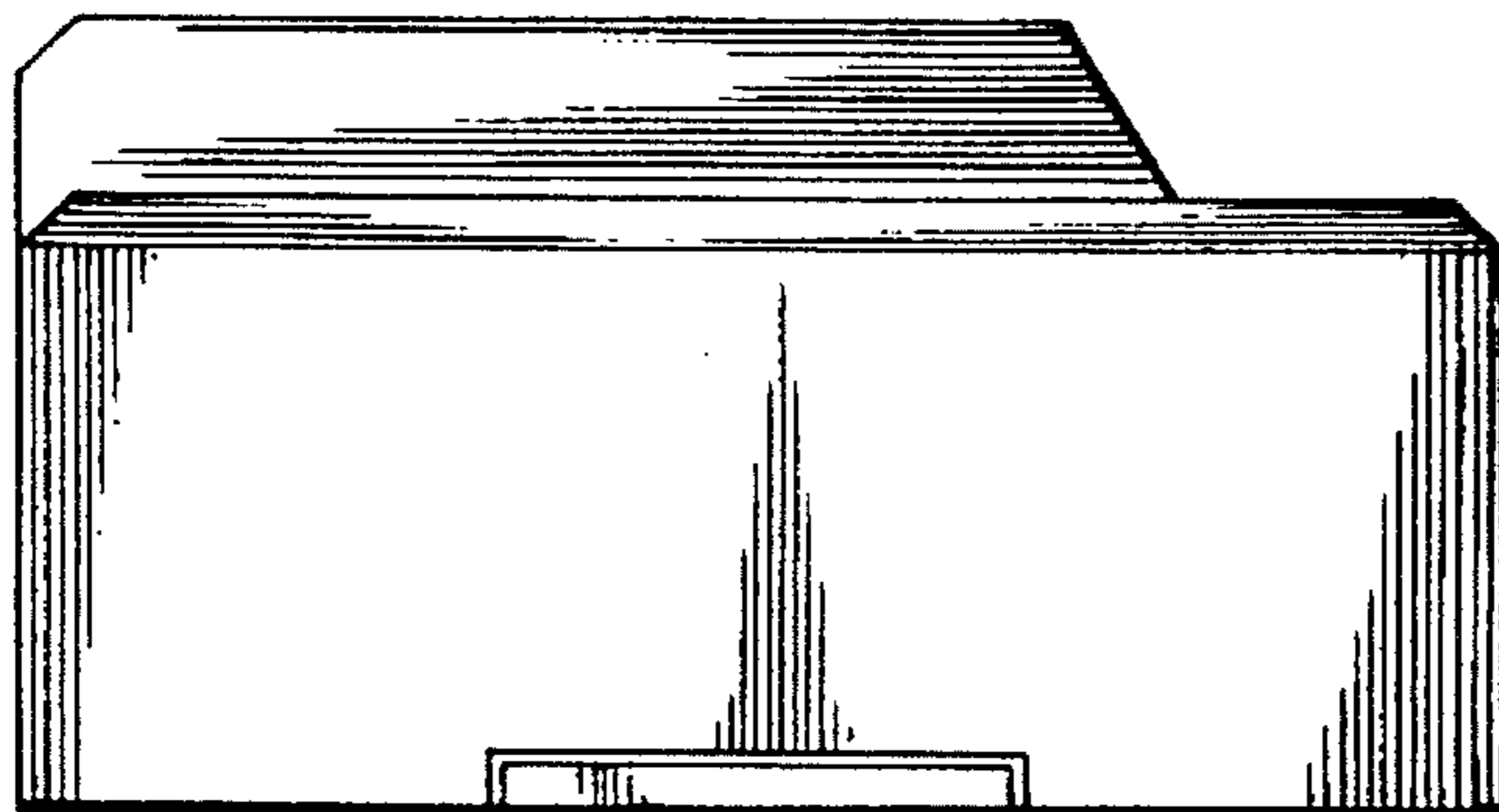


FIG. 6

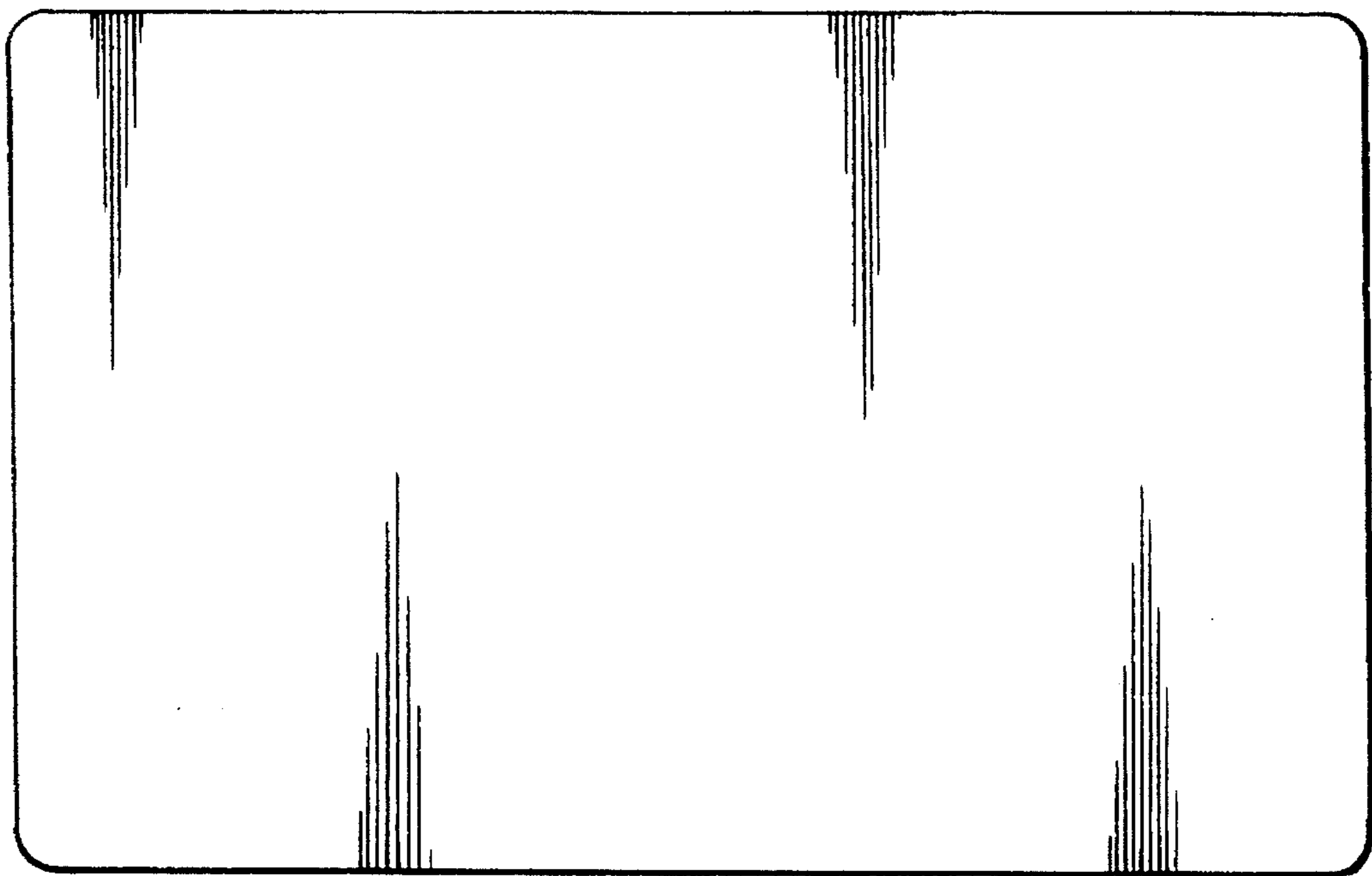


FIG. 7