



US00D369561S

# United States Patent [19]

Green et al.

[11] Patent Number: **Des. 369,561**

[45] Date of Patent: **\*\*May 7, 1996**

## [54] ELECTROCHEMICAL SENSOR PACKAGE

[75] Inventors: **Robert B. Green**, Hopkinton; **Steven C. Lepke**, Danvers, both of Mass.

[73] Assignee: **Ciba Corning Diagnostics Corp.**, Medfield, Mass.

[\*\*] Term: **14 Years**

[21] Appl. No.: **25,129**

[22] Filed: **Jun. 27, 1994**

[52] U.S. Cl. .... **D10/46; D10/81**

[58] Field of Search ..... D10/46, 81; D24/186, D24/187, 216, 224, 232; 204/153.12, 153.17, 403, 409, 415, 418, 435; 435/817

## [56] References Cited

### U.S. PATENT DOCUMENTS

D. 329,441	9/1992	Yee	.....	D15/138	X
5,096,669	3/1992	Lauks et al.	.....	204/409	X
5,284,568	2/1994	Pace et al.	.....	204/409	X
5,384,029	1/1995	Campbell	.....	204/415	

## OTHER PUBLICATIONS

Ciba Corning Diagnostics Corp., Promotional brochure entitled "Ready sensor" dated 1992.

Ciba Corning Diagnostics Corp., Mechanical drawing No. 007686 dated Aug. 1984.

*Primary Examiner*—Antoine Duval Davis

*Attorney, Agent, or Firm*—Arthur S. Morgenstern; Judith A. Roesler

## [57] CLAIM

The ornamental design for an electrochemical sensor package, as shown and described.

## DESCRIPTION

FIG. 1 is a perspective view of an electrochemical sensor package showing our new design;

FIG. 2 is a side view;

FIG. 3 is a front view;

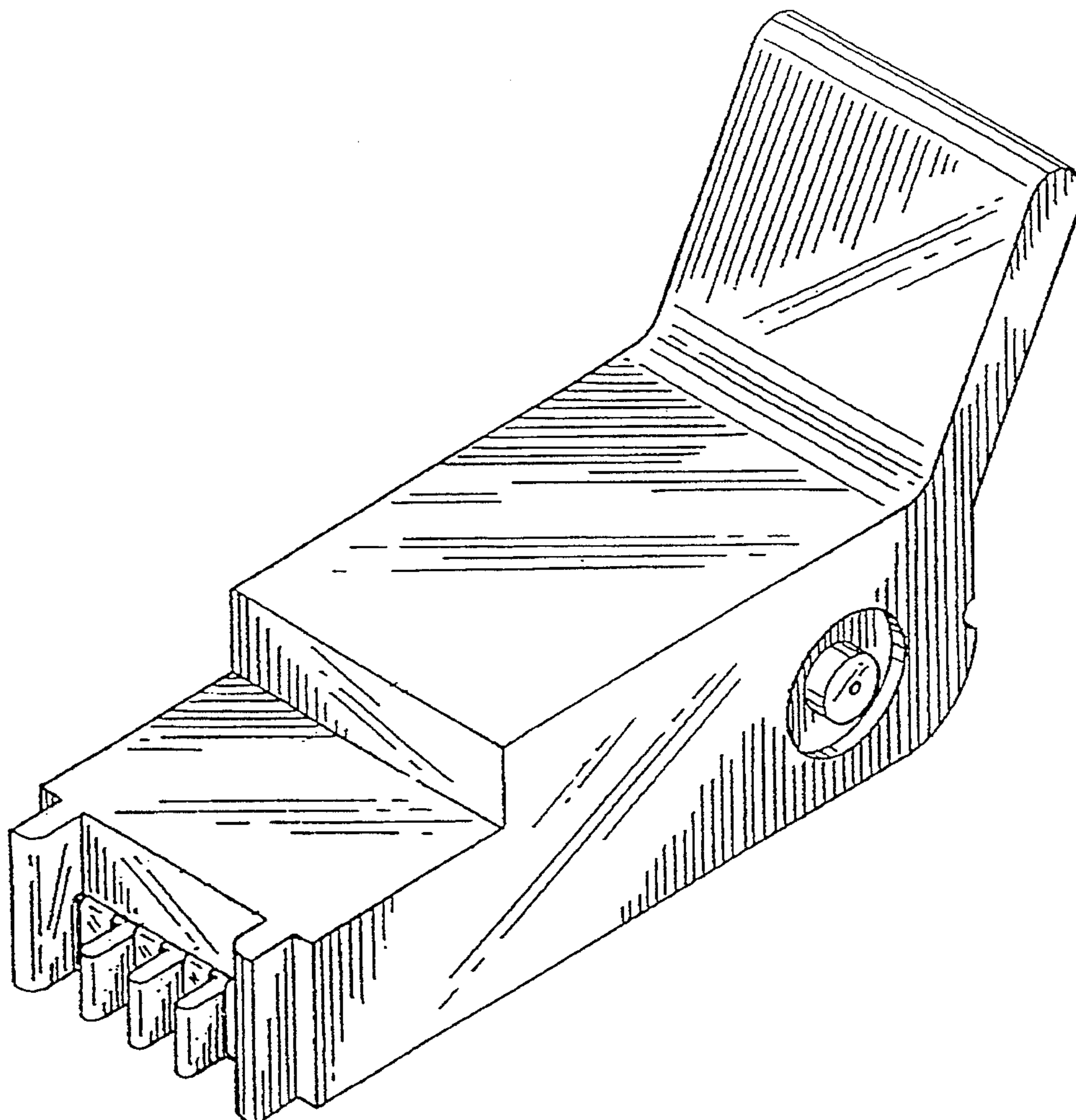
FIG. 4 is a top plan view;

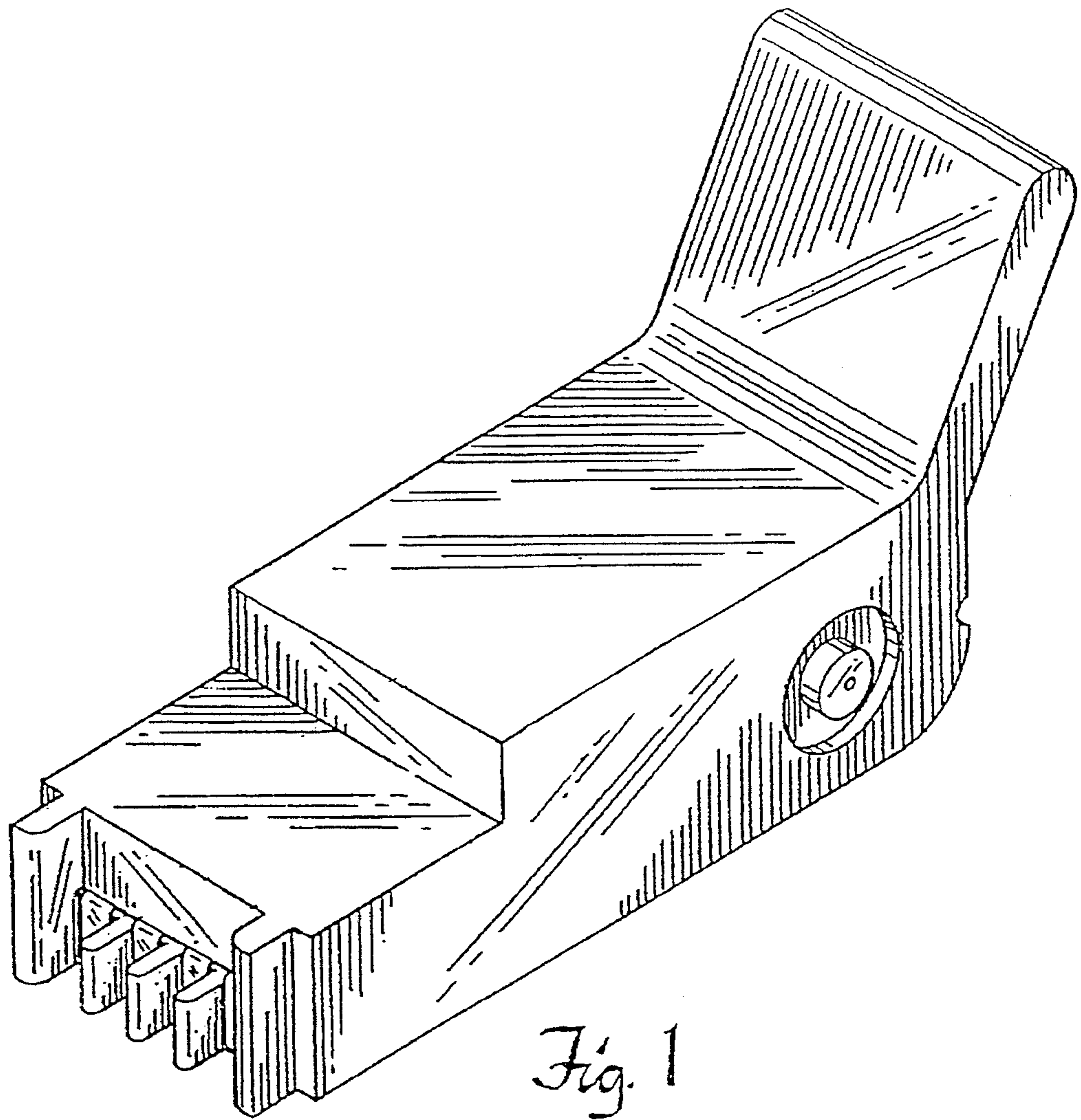
FIG. 5 is a bottom plan view;

FIG. 6 is a back plan view; and,

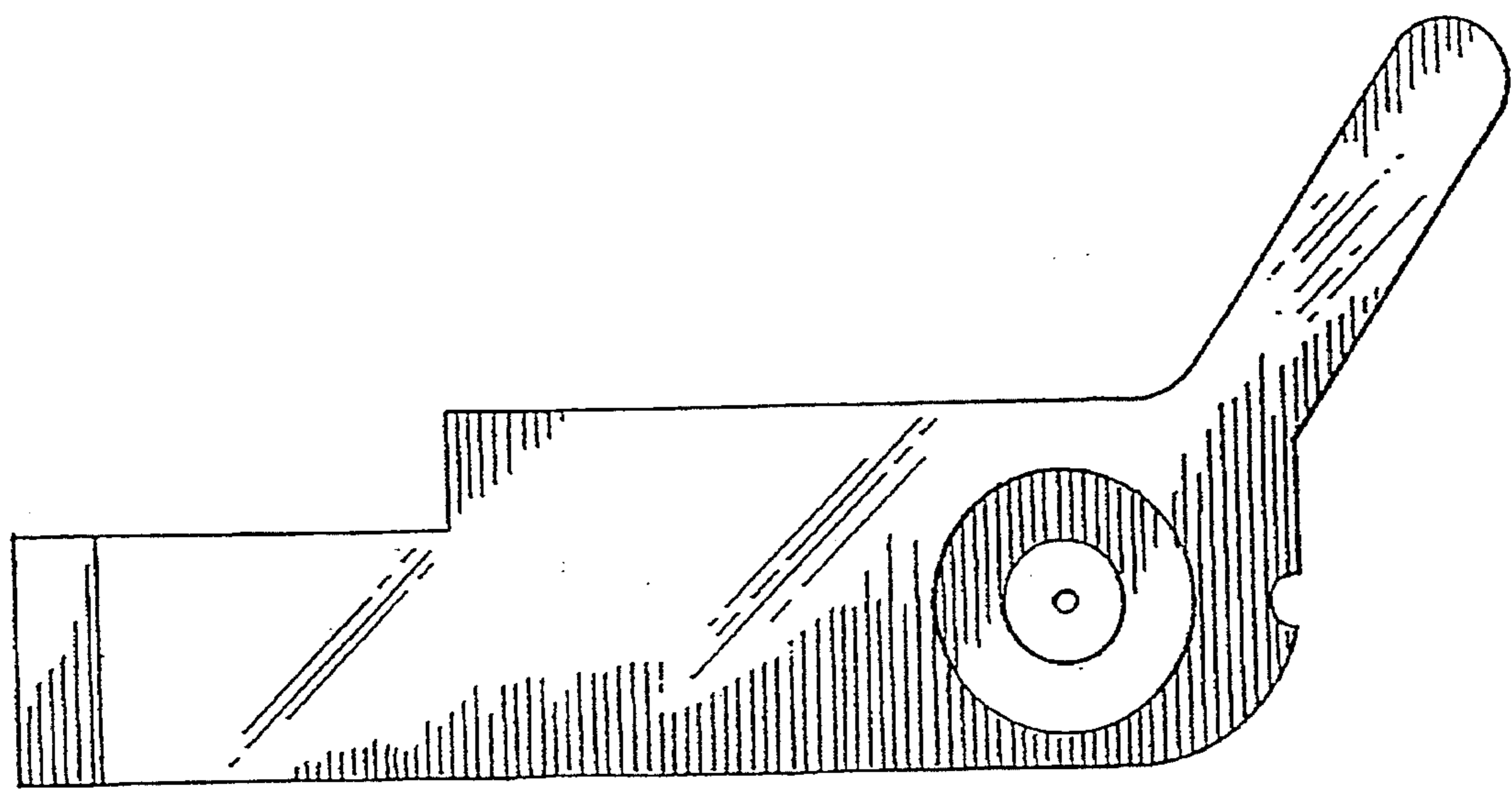
FIG. 7 is a side view, opposite to that shown in FIG. 2.

**1 Claim, 3 Drawing Sheets**

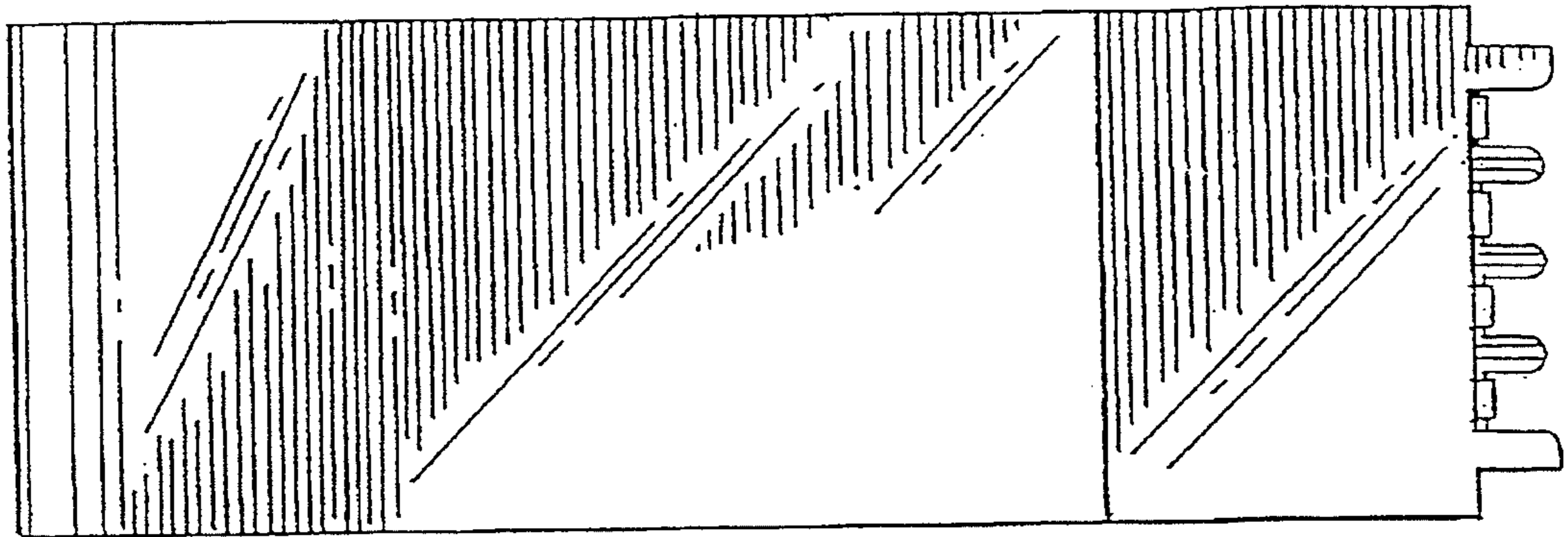




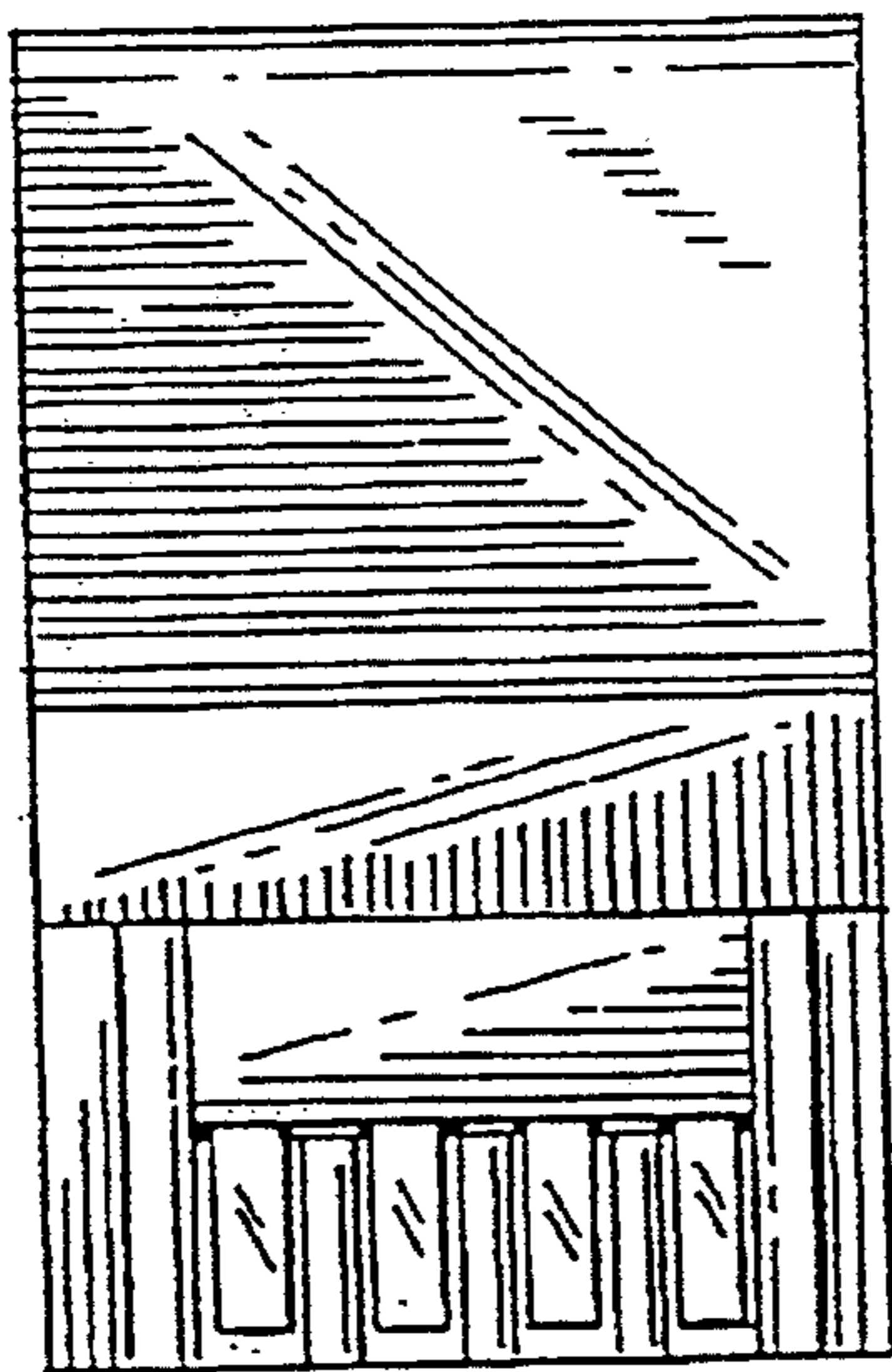
*Fig. 1*



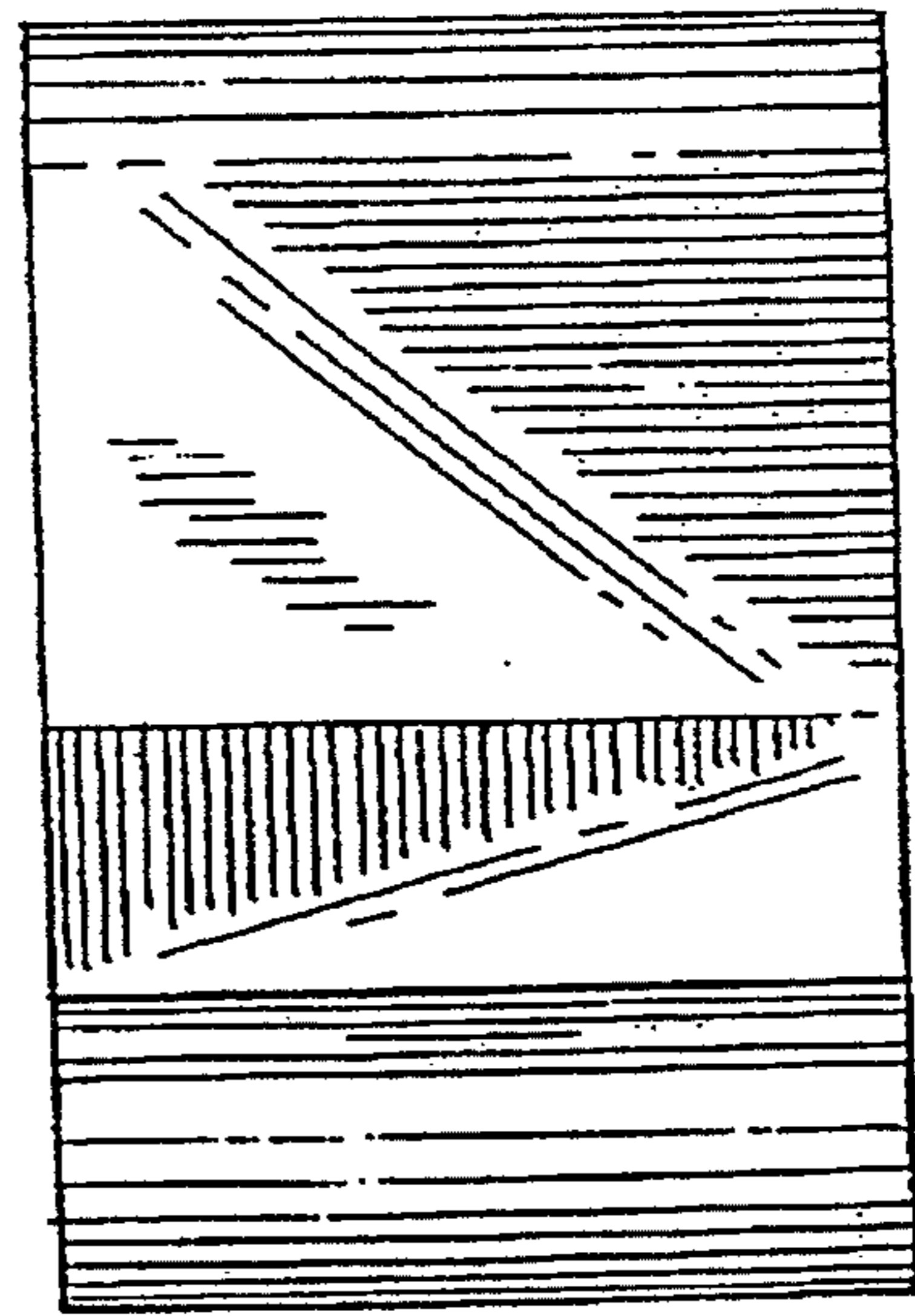
*Fig 2*



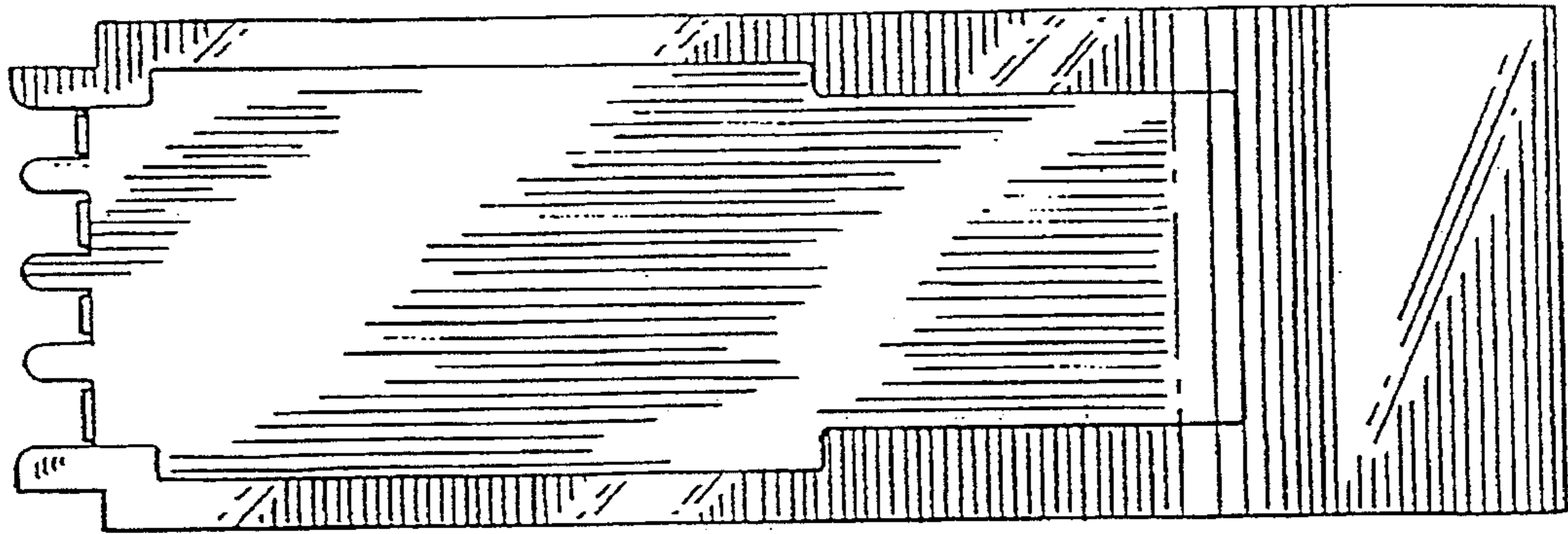
*Fig. 3*



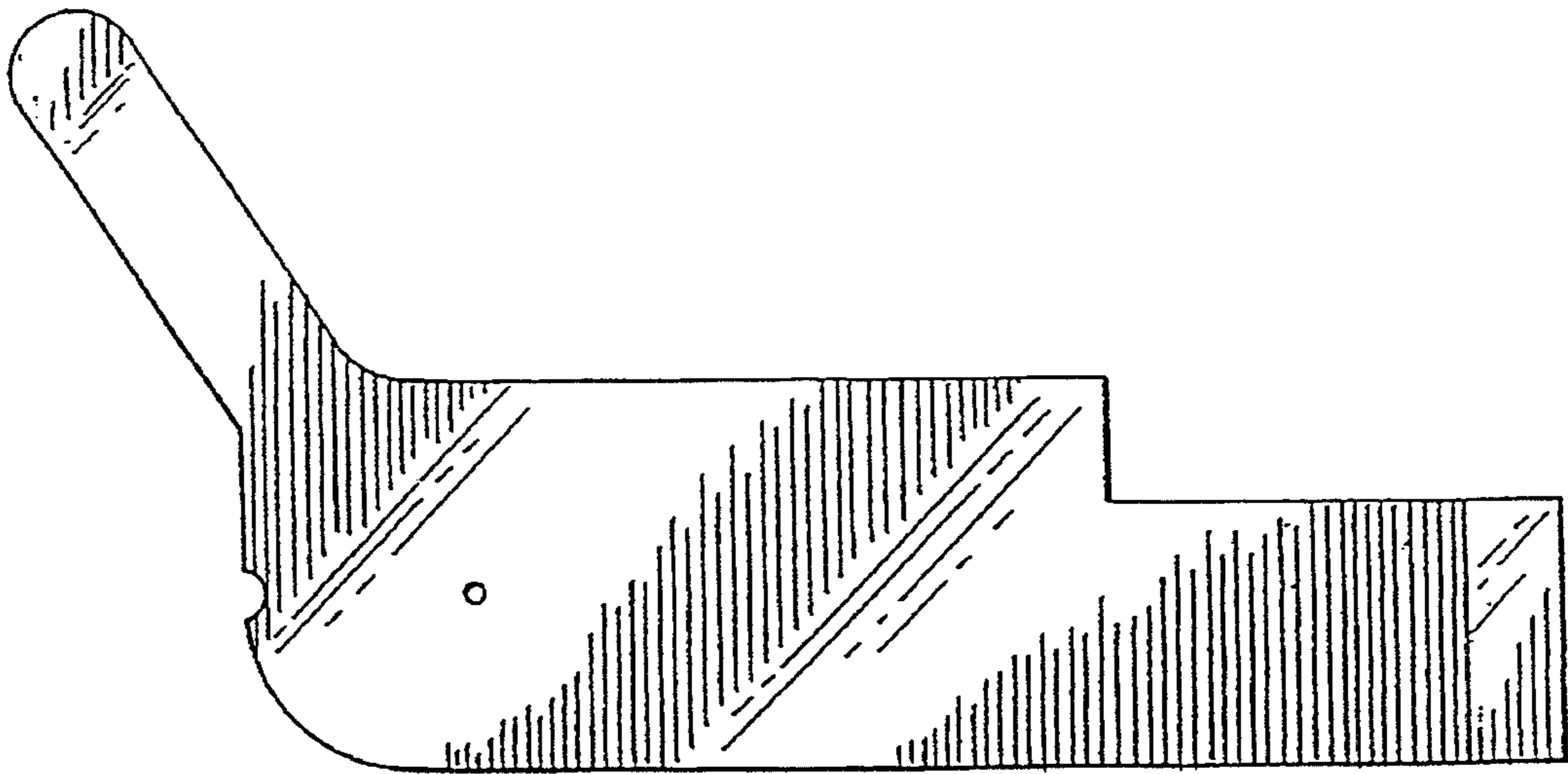
*Fig. 4*



*Fig. 5*



*Fig. 6*



*Fig. 7*