



US00D369553S

# United States Patent [19]

Heinz

[11] **Patent Number:** **Des. 369,553**

[45] **Date of Patent:** **\*\*May 7, 1996**

[54] **COMBINED BOTTLE AND STOPPER**

[75] Inventor: **Carl A. Heinz**, Tettau-Ofr., Germany

[73] Assignee: **Carl Aug. Heinz Glashüttenwerke GmbH & Co. KG**, Kleintettau/Ofr., Germany

[\*\*] Term: **14 Years**

[21] Appl. No.: **11,148**

[22] Filed: **Jul. 28, 1993**

[30] **Foreign Application Priority Data**

Jun. 7, 1993 [XH] Hague Agreement ..... DM/9.VIII.91  
Jun. 10, 1993 [GB] United Kingdom ..... 20 316 62-74

[52] U.S. Cl. .... **D9/544; D9/562; D9/564**

[58] Field of Search ..... D9/544, 564, 562, D9/566, 545; 215/1 R, 1 C

[56] **References Cited**

**U.S. PATENT DOCUMENTS**

D. 77,805 2/1929 Bicks ..... D9/545

D. 86,566	3/1932	Gibson	.....	D9/544
D. 109,848	5/1938	Lornezen	.....	D9/562
D. 128,668	8/1941	Lorenzen	.....	D9/555 X
D. 152,969	3/1949	High	.....	D9/562 X
D. 164,678	10/1951	DuPree	.....	D9/544 X
D. 306,971	4/1990	Daucourt	.....	D9/544 X

*Primary Examiner*—Lucy Lieberman  
*Attorney, Agent, or Firm*—Smith-Hill and Bedell

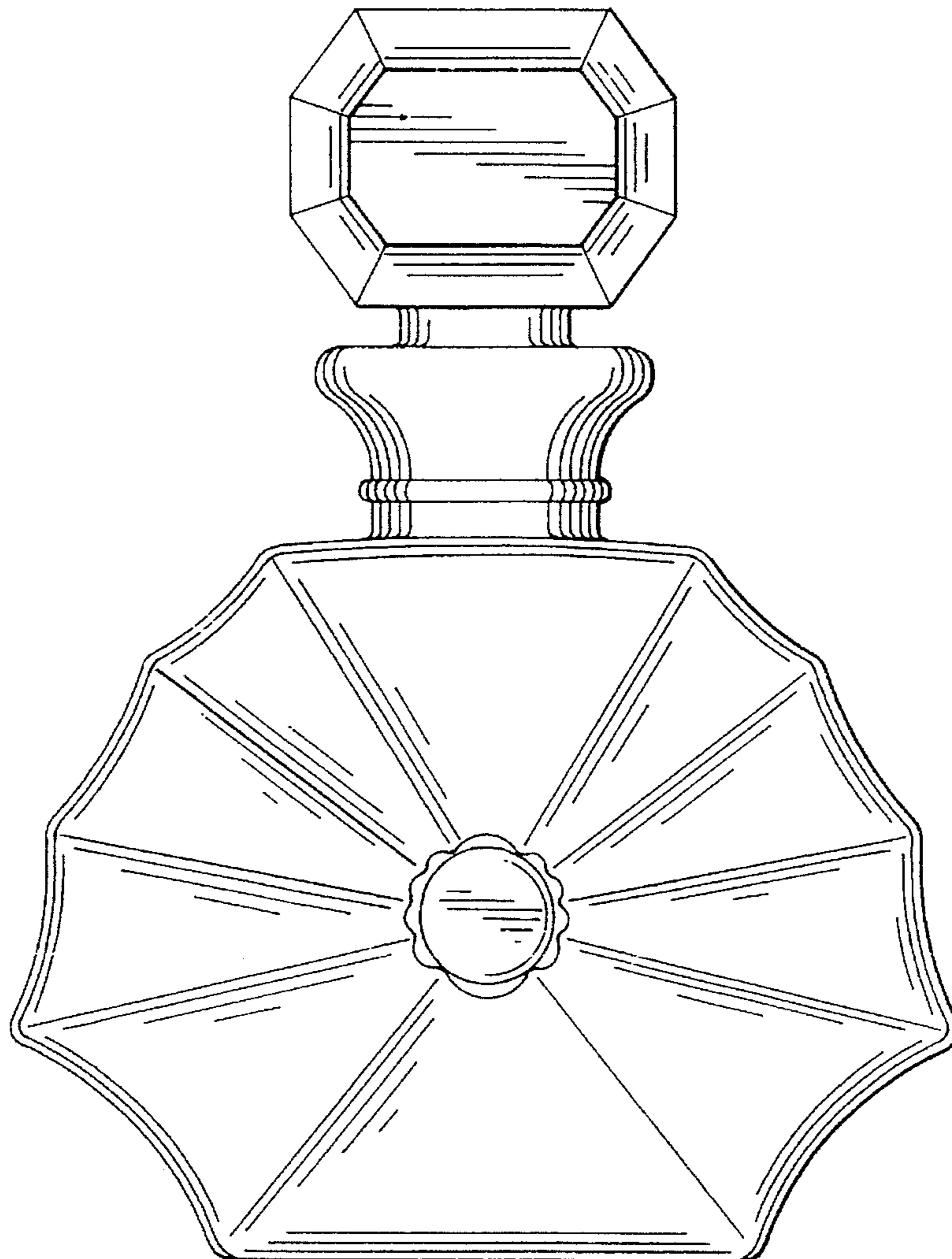
[57] **CLAIM**

The ornamental design for a combined bottle and stopper, as shown and described.

**DESCRIPTION**

FIG. 1 is a front elevation of a combined bottle and stopper showing my new design, the rear elevation being the same as the front elevation;  
FIG. 2 is a side elevation thereof, the opposite side elevation being the same as the elevation shown;  
FIG. 3 is a top plan view thereof; and,  
FIG. 4 is a bottom plan view thereof.

**1 Claim, 1 Drawing Sheet**



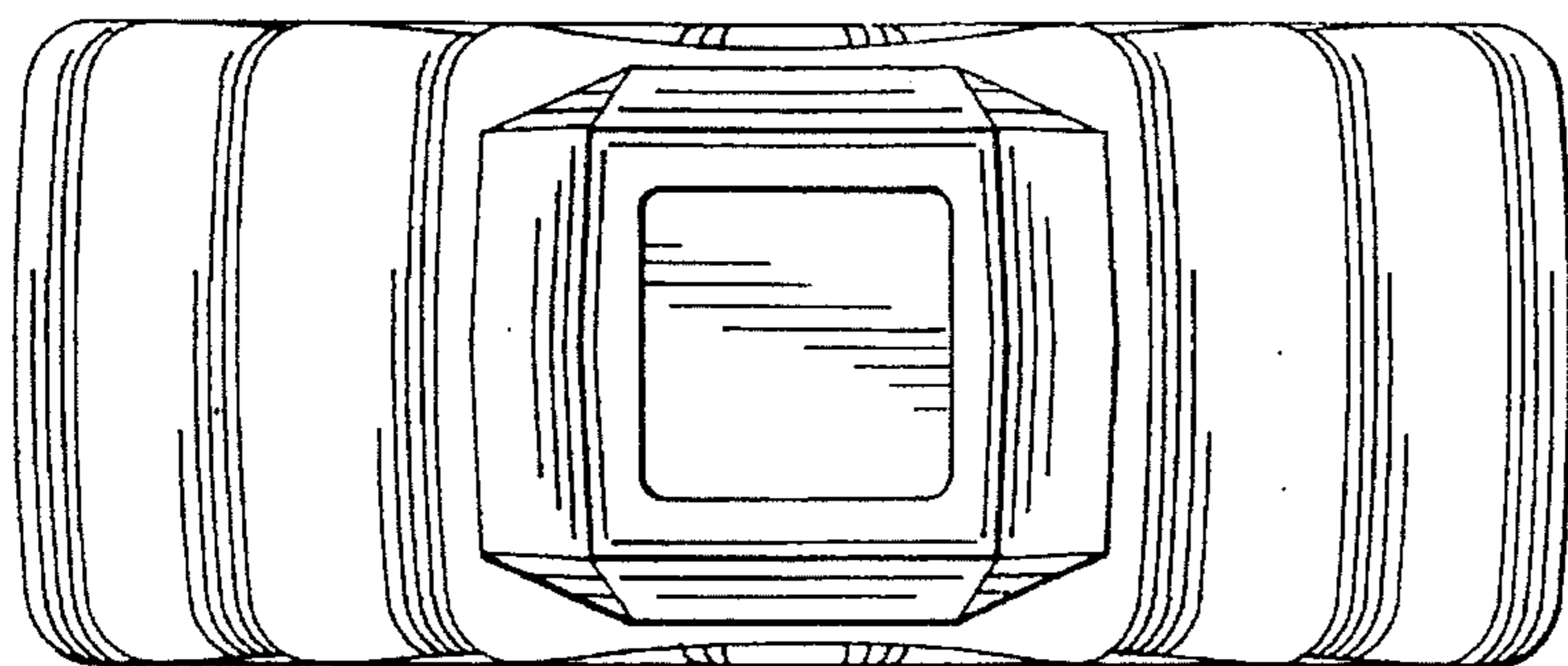


FIG.3

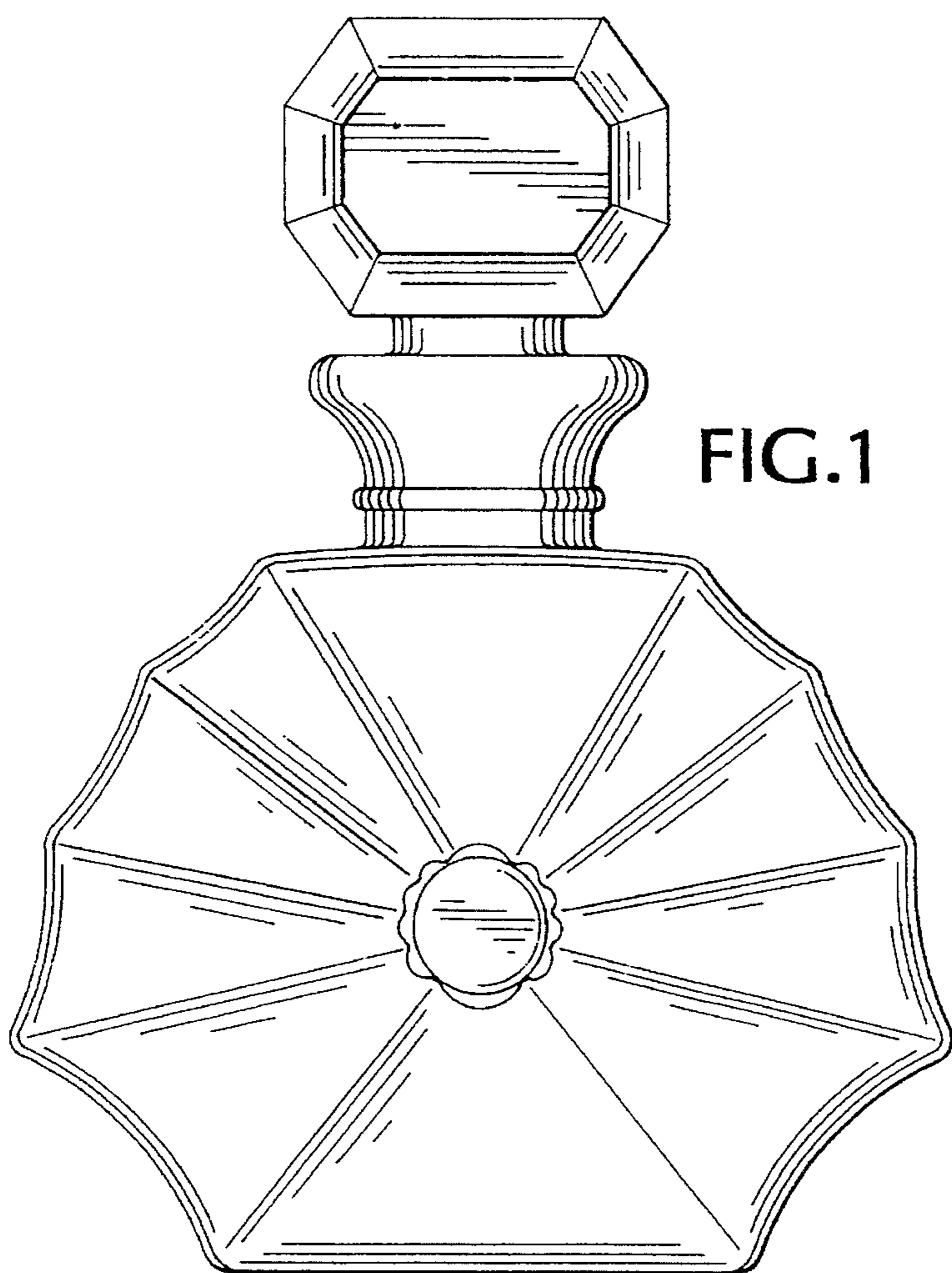


FIG.1

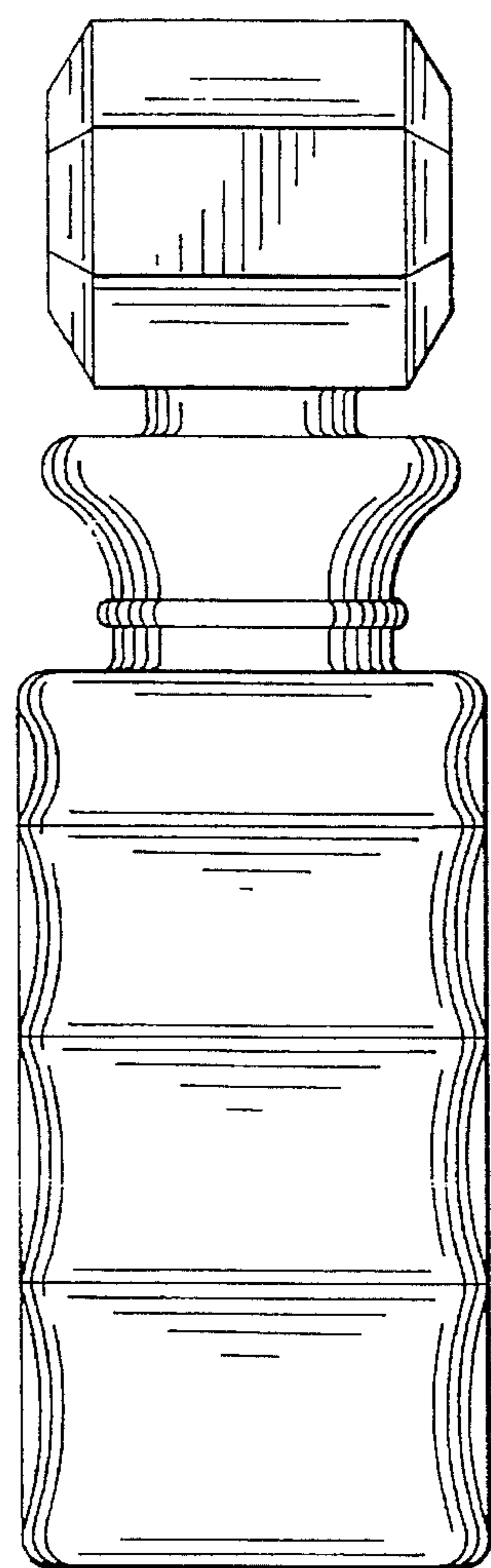


FIG.2

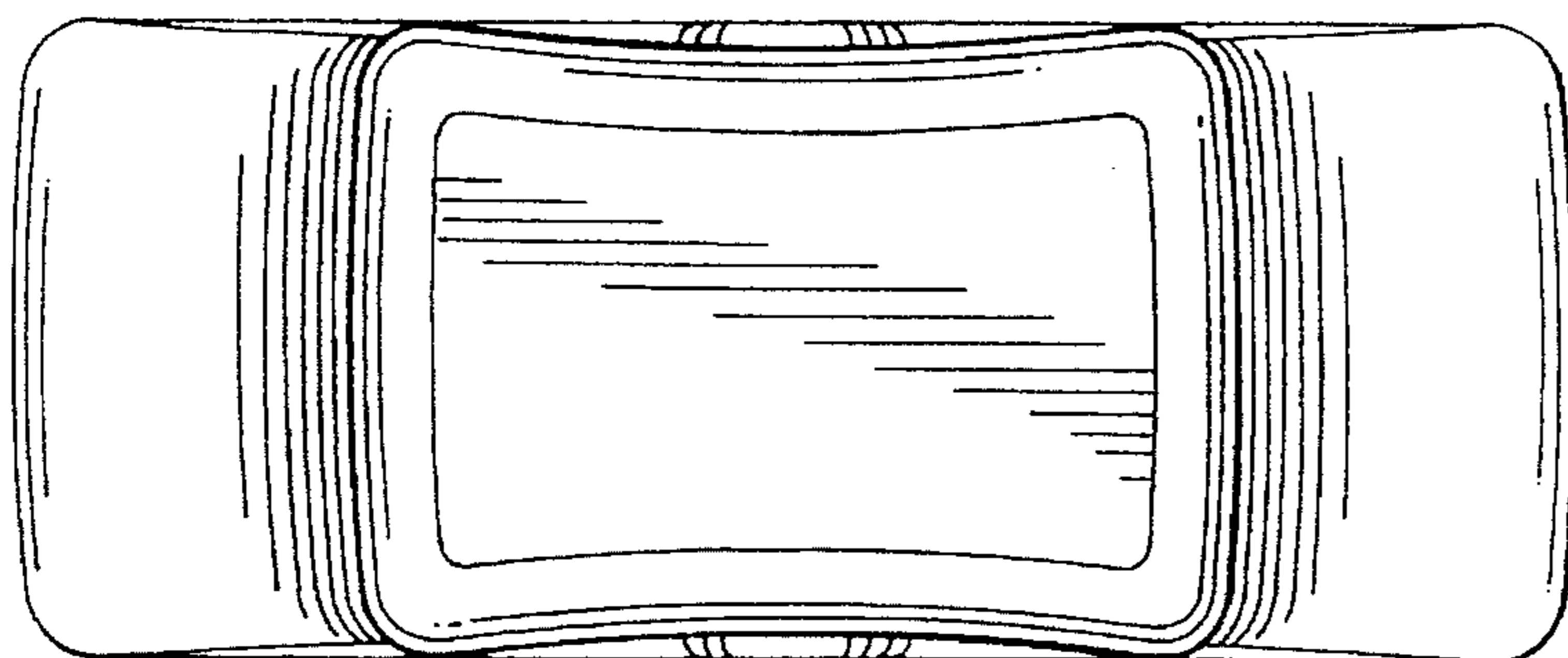


FIG.4