



US00D369552S

United States Patent [19]

[11] **Patent Number: Des. 369,552**

Lam

[45] **Date of Patent: **May 7, 1996**

[54] **BOTTLE**

D. 63,569	12/1923	Meisezahyl	D9/556
D. 271,853	12/1983	Tsuno	D9/500
D. 274,217	6/1984	Aramaki	D9/500
D. 295,260	4/1988	Goetlner	D9/500

[75] Inventor: **Kei B. Lam**, North Point, Hong Kong

[73] Assignee: **Mini (Hong Kong) Co. Ltd.**, Hong Kong

[**] Term: **14 Years**

Primary Examiner—Lucy Lieberman
Attorney, Agent, or Firm—Browning, Bushman, Anderson & Brookhart

[21] Appl. No.: **4,814**

[57] **CLAIM**

[22] Filed: **Feb. 16, 1993**

The ornamental design for a bottle, as shown and described.

[30] **Foreign Application Priority Data**

DESCRIPTION

Aug. 19, 1992 [GB] United Kingdom 2025125

[52] **U.S. Cl.** **D9/538; D9/551; D9/559**

[58] **Field of Search** D9/537, 538, 539, D9/551, 553, 500, 503, 504, 558, 559, 556; 215/1 R, 1 C

FIG. 1 is front elevation of a bottle showing my new design, the rear side elevations being the same.

FIG. 2 is a top plan view thereof;

FIG. 3 is a sectional side elevational view thereof, taken along line A—A of FIG. 2; and,

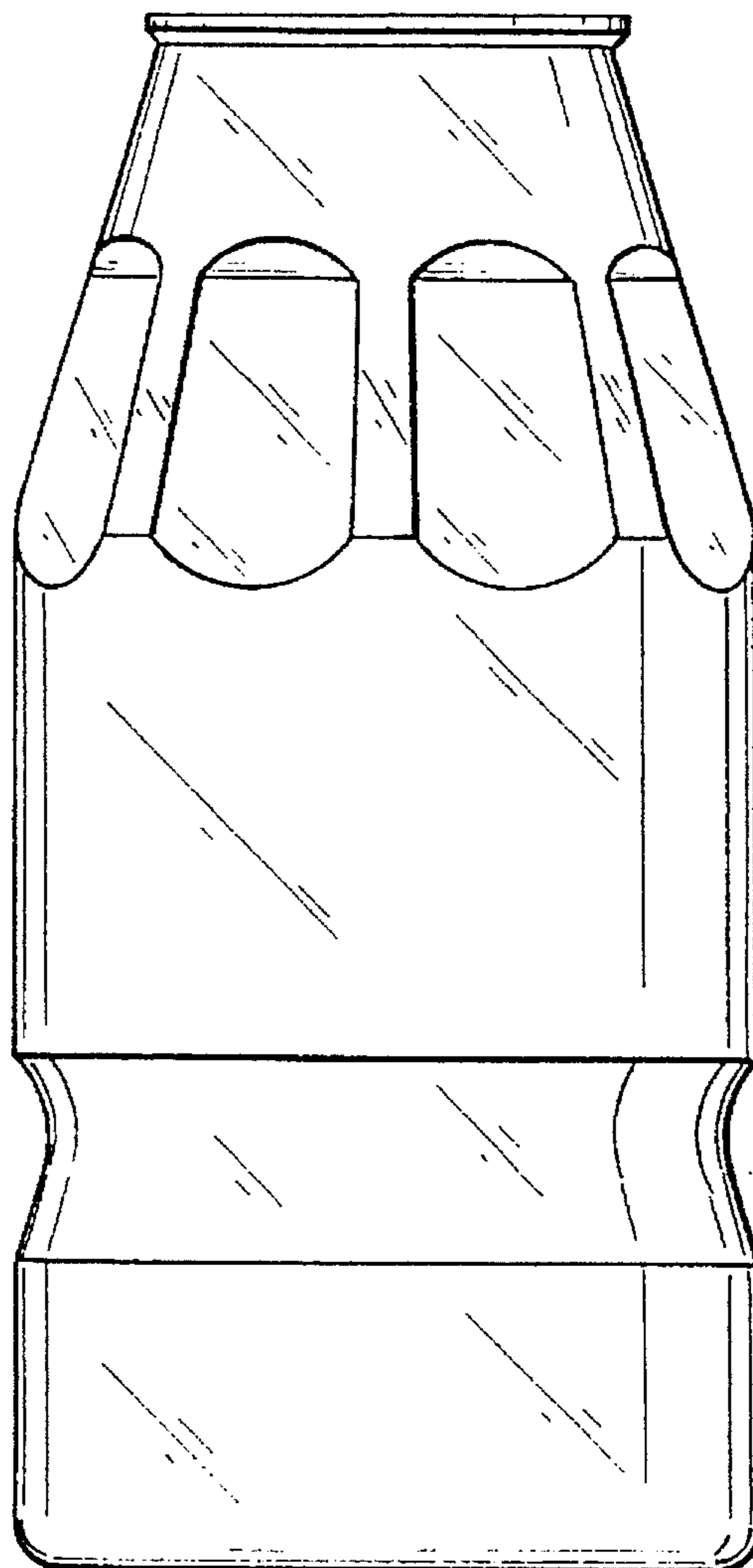
FIG. 4 is a bottom plan view thereof.

[56] **References Cited**

U.S. PATENT DOCUMENTS

D. 63,200 10/1923 Root D9/556

1 Claim, 1 Drawing Sheet



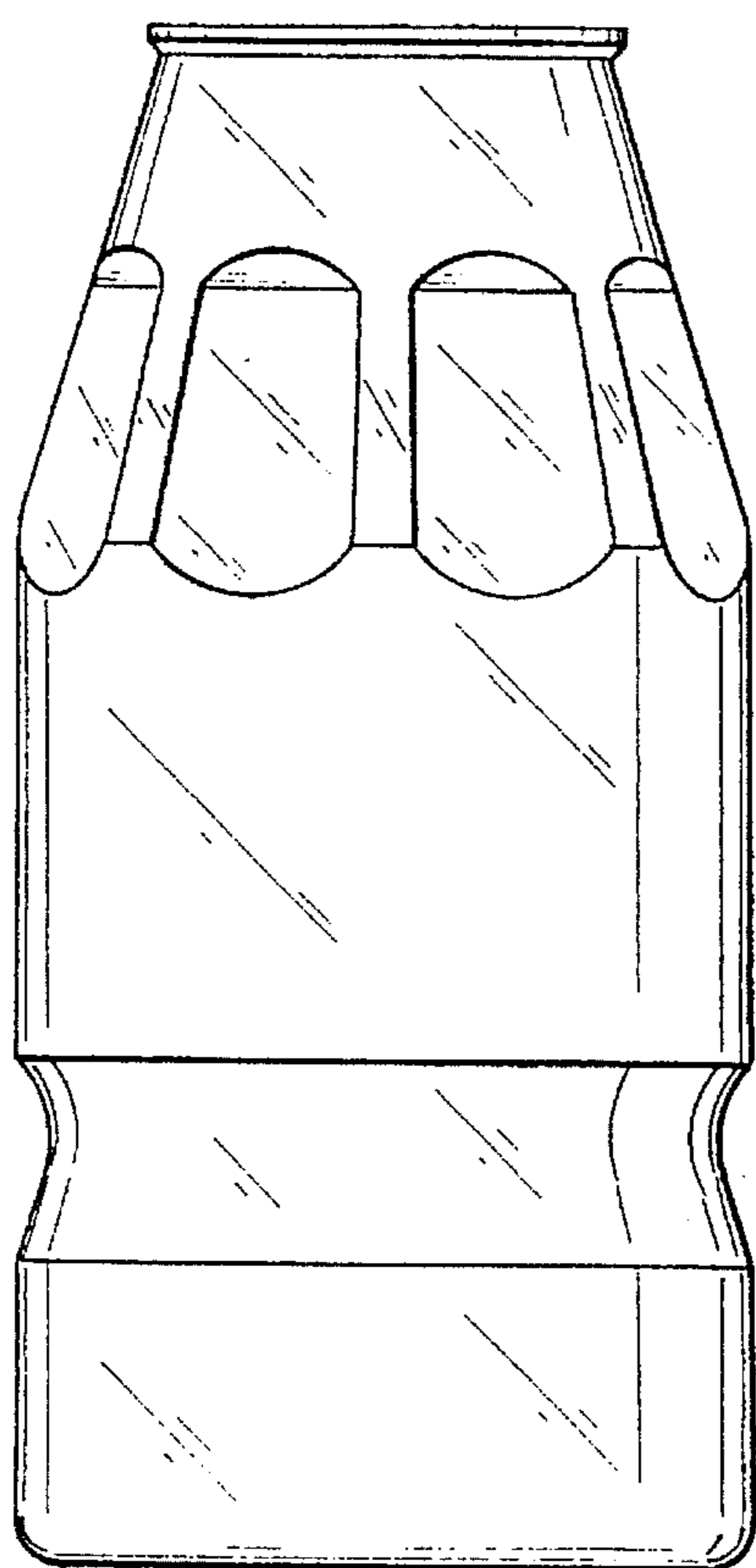


FIG. 1

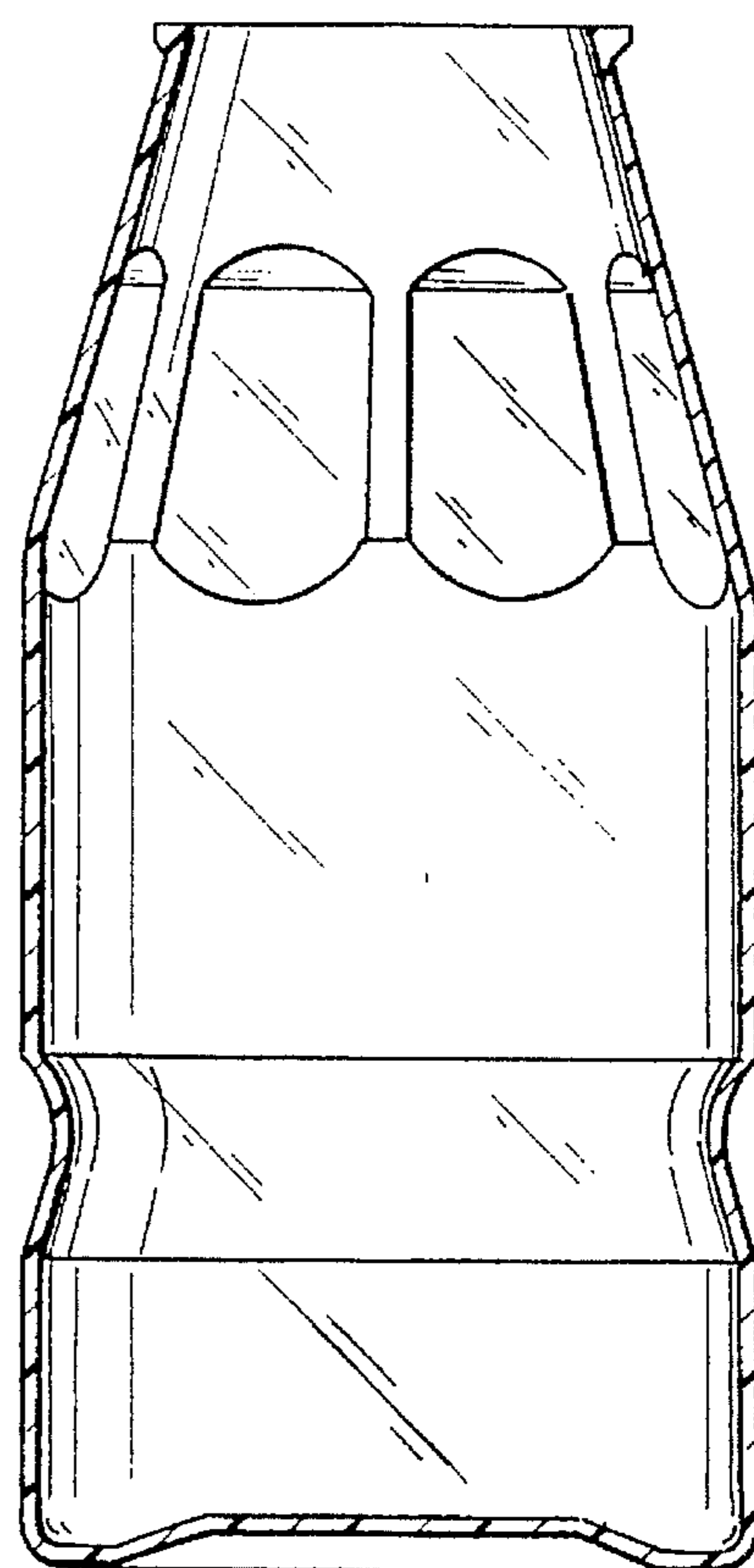


FIG. 3

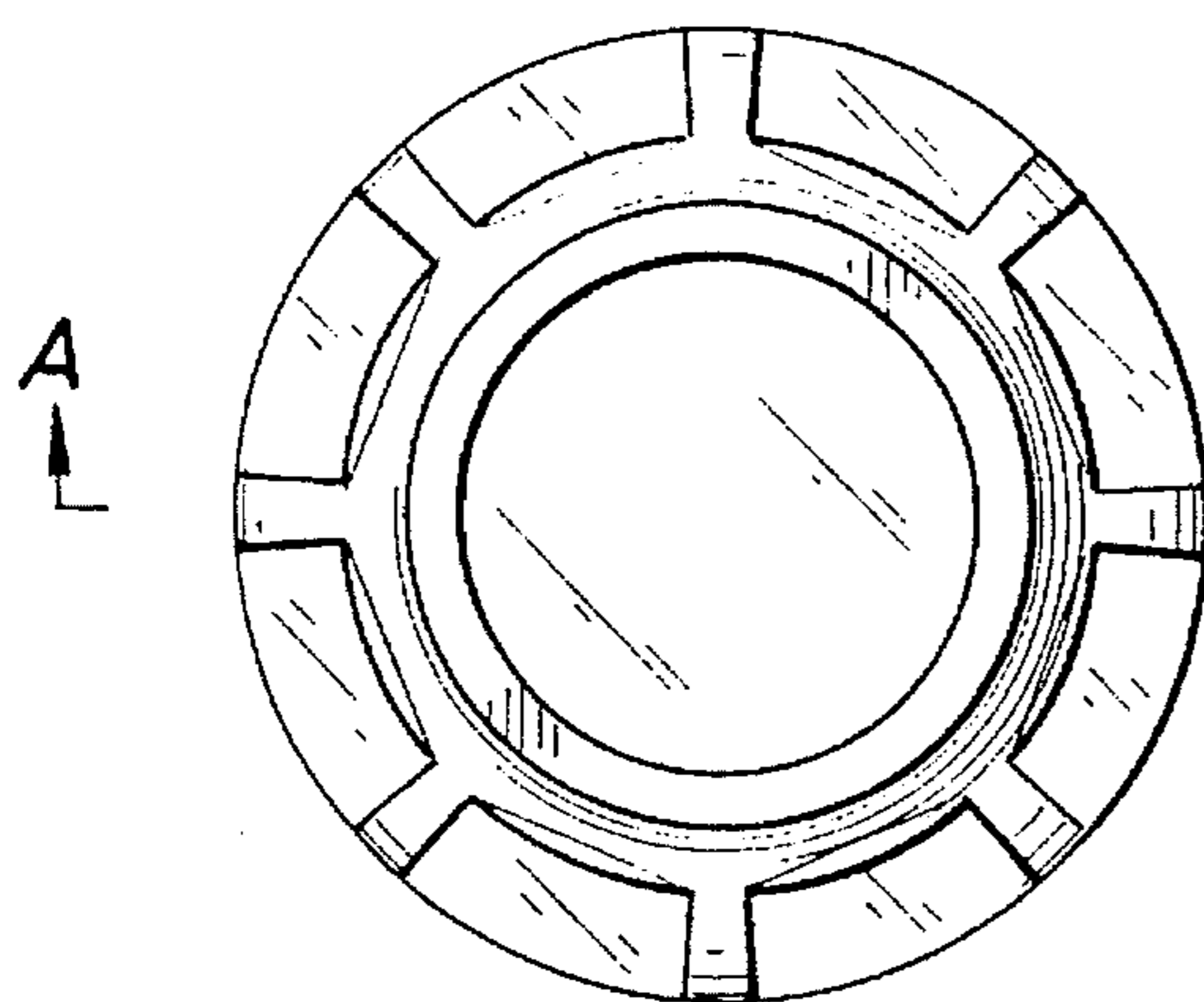


FIG. 2

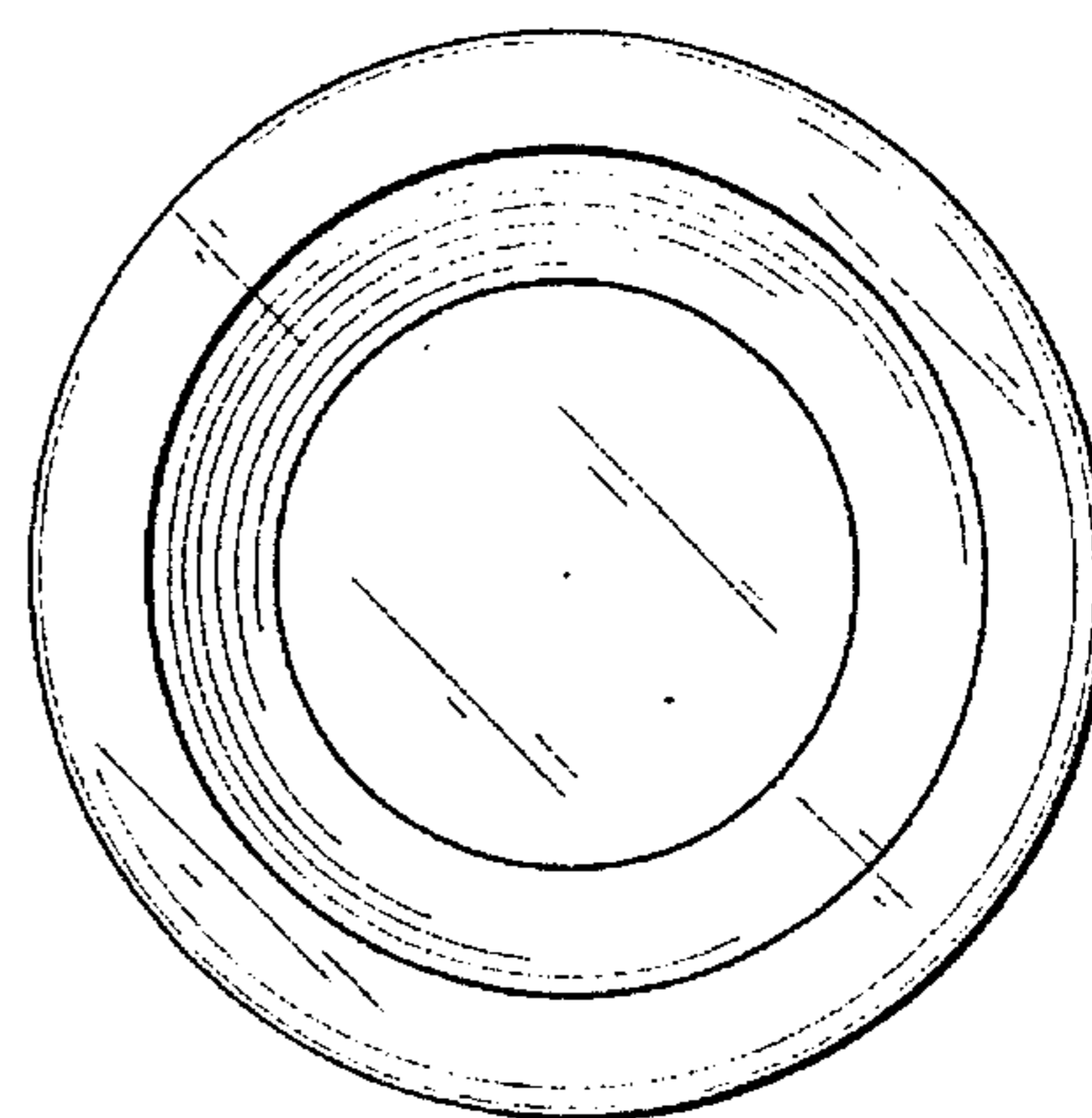


FIG. 4