



US00D369546S

United States Patent [19]

Chapman et al.

[11] Patent Number: **Des. 369,546**

[45] Date of Patent: ***** May 7, 1996**

[54] **PACKAGE FOR DAYLIGHT CAMERA**

[75] Inventors: **Steven S. Chapman**, Corfu; **Daniel C. Jackson**, Rochester, both of N.Y.

[73] Assignee: **Eastman Kodak Company**, Rochester, N.Y.

[*] Notice: The portion of the term of this patent subsequent to Nov. 28, 2009, has been disclaimed.

[**] Term: **14 Years**

[21] Appl. No.: **30,426**

[22] Filed: **Oct. 28, 1994**

[52] U.S. Cl. **D9/415**

[58] Field of Search D9/418, 415, 341, D9/337, 414, 456; 206/45.34, 45.31, 461-471, 44 R, 316.1, 316.2; 229/162

[56] References Cited

U.S. PATENT DOCUMENTS

D. 227,229	6/1973	Funahashi	D9/415
D. 284,168	6/1986	Ewry	D9/415
D. 285,175	8/1986	Ewry	D9/415
D. 312,782	12/1990	Arai et al.	D16/208 X
D. 319,185	8/1991	Ferrero	D9/415
D. 344,532	2/1994	Takiguchi et al.	D16/208

D. 352,894	11/1994	Halaburda et al.	D9/415
3,451,535	6/1969	Caplan	229/162 X
3,793,528	2/1974	Takeda	206/316.2 X
5,020,669	6/1994	Nakagoshi	206/466
5,292,003	3/1994	Baghdassarian	206/471 X

OTHER PUBLICATIONS

Modern Packaging, 1941, p. 300.

Primary Examiner—Prabhakar G. Deshmukh
Attorney, Agent, or Firm—Roger A. Fields

[57] CLAIM

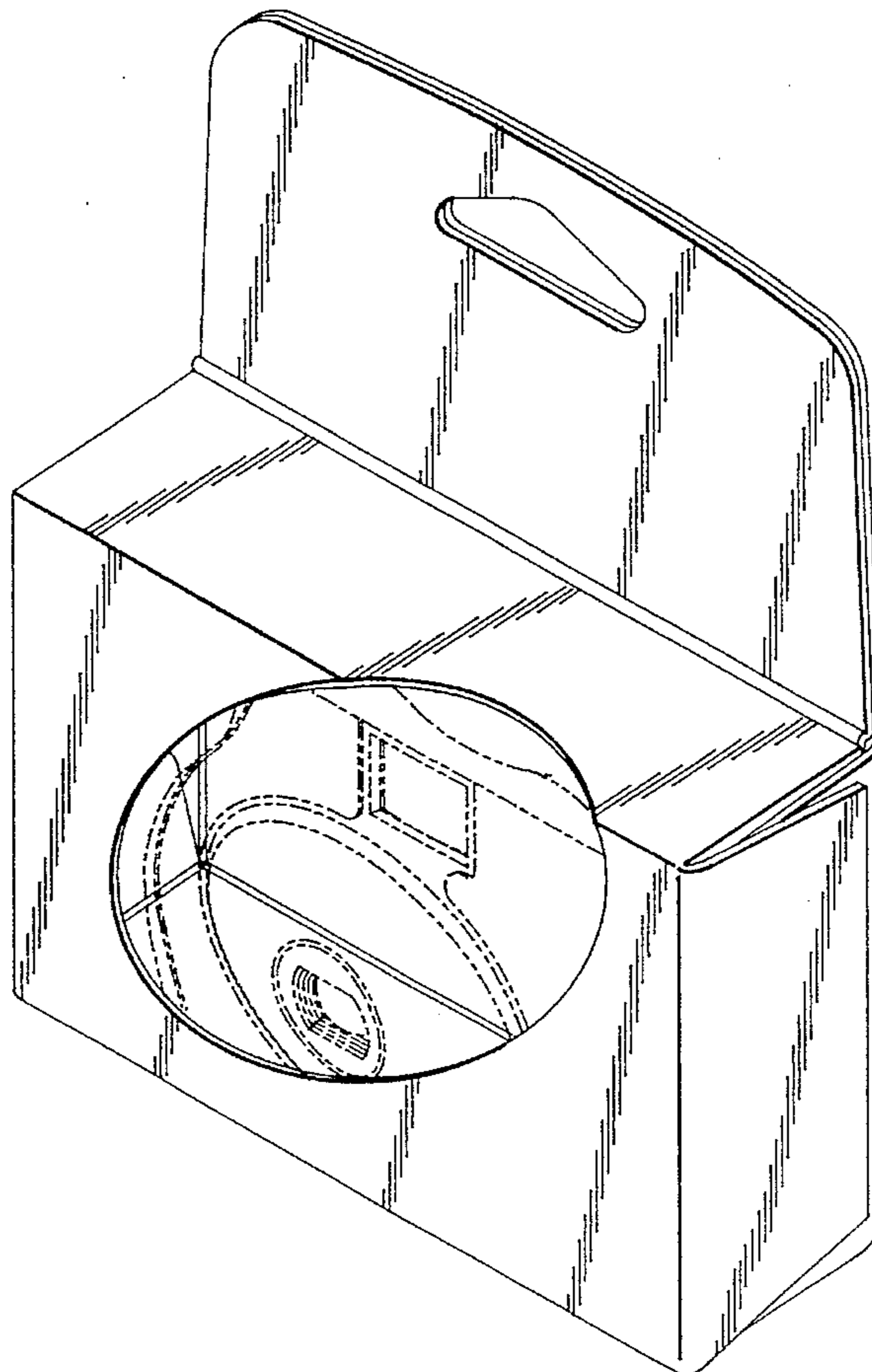
The ornamental design for a package for daylight camera, as shown and described.

DESCRIPTION

FIG. 1 is a front, top, right-side perspective view of a package for daylight camera, showing our new design; FIG. 2 is a rear, bottom, left-side perspective view thereof; FIG. 3 is a front elevation view thereof; FIG. 4 is a rear elevation view thereof; FIG. 5 is a left-side elevation view thereof; FIG. 6 is a right-side elevation view thereof; FIG. 7 is a top plan view thereof; and, FIG. 8 is a bottom plan view thereof.

The broken line showing of daylight camera is for illustrative purpose only and forms no part of the claim.

1 Claim, 8 Drawing Sheets



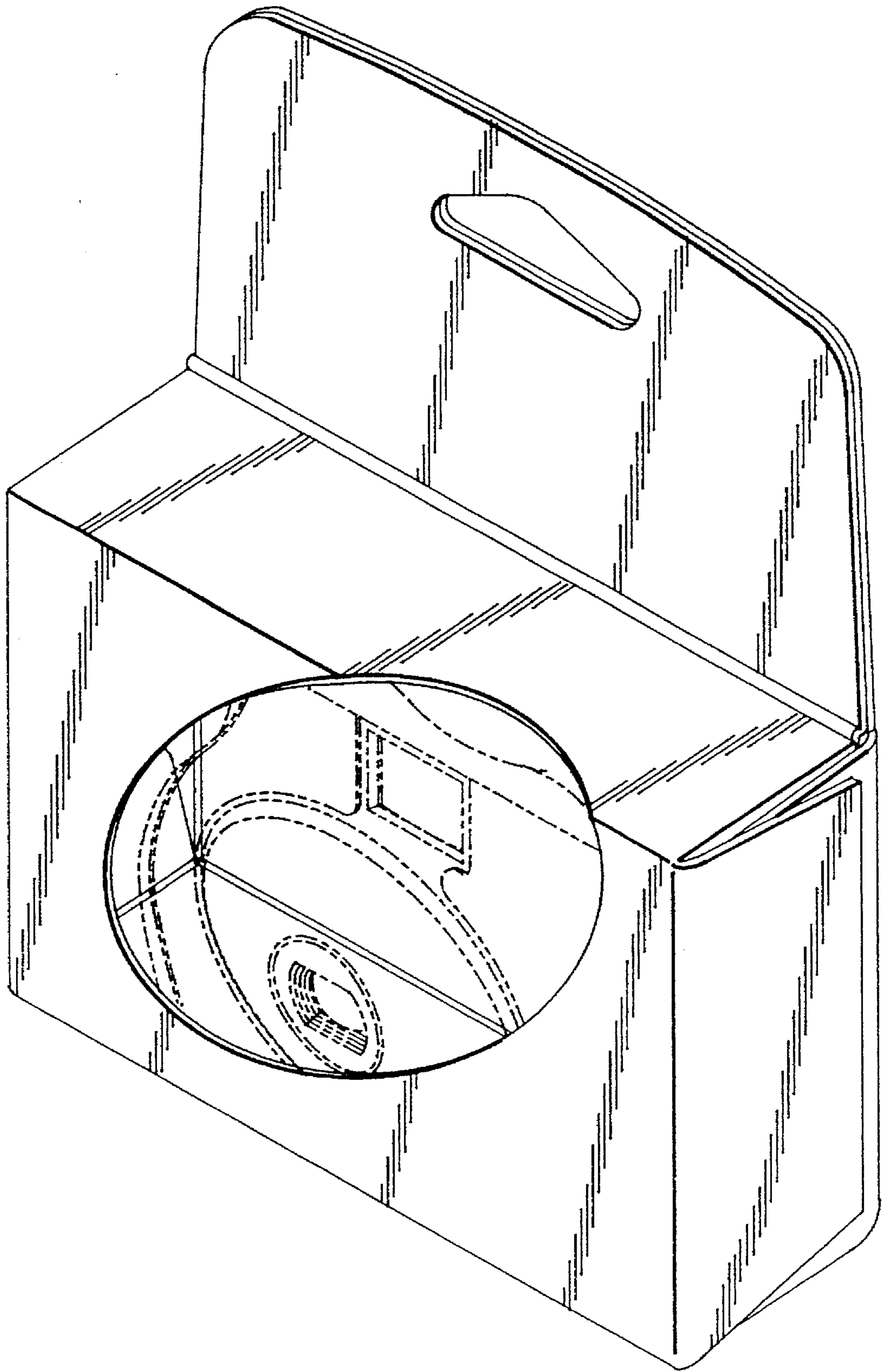


FIG. 1

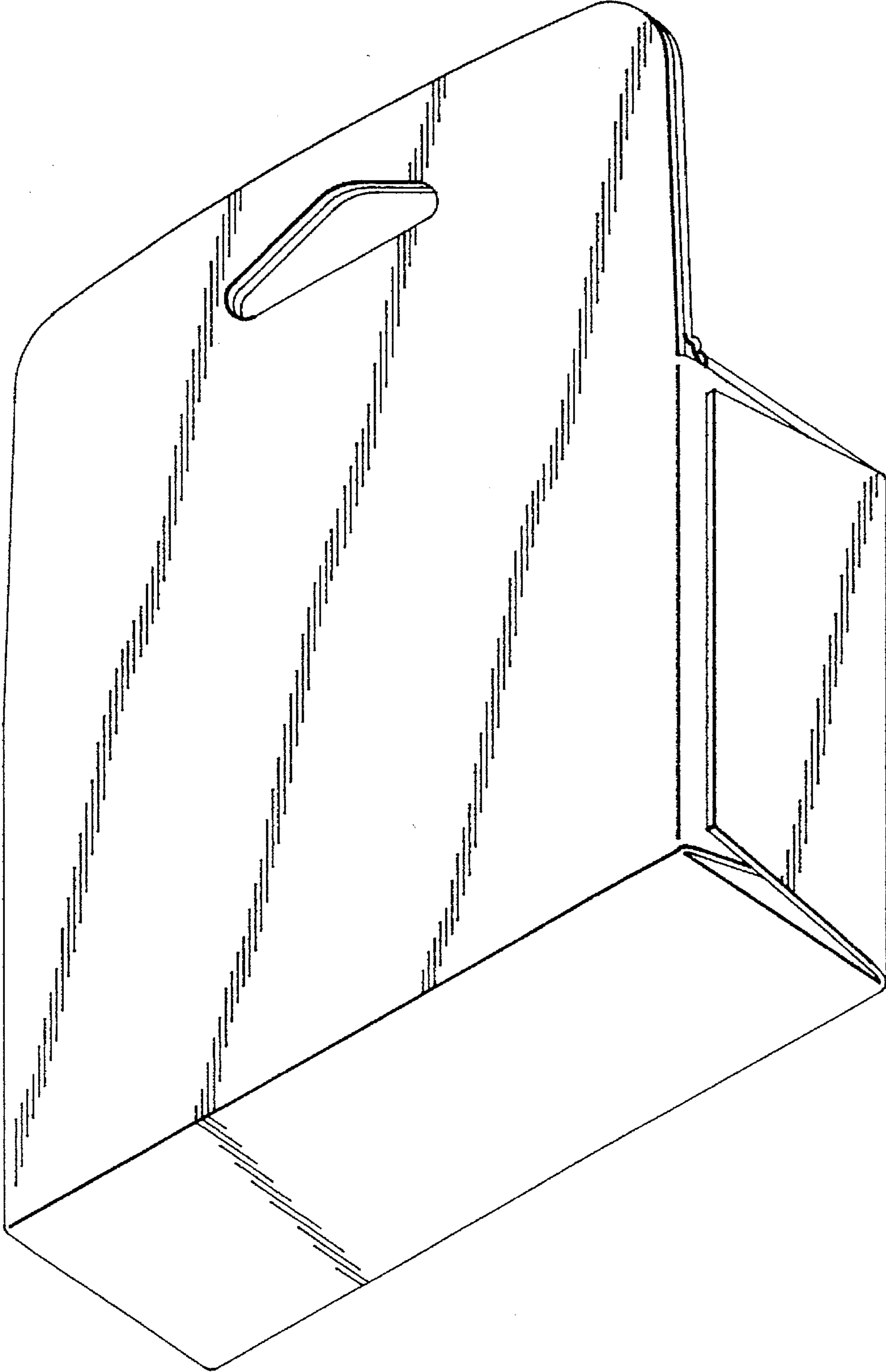


FIG. 2

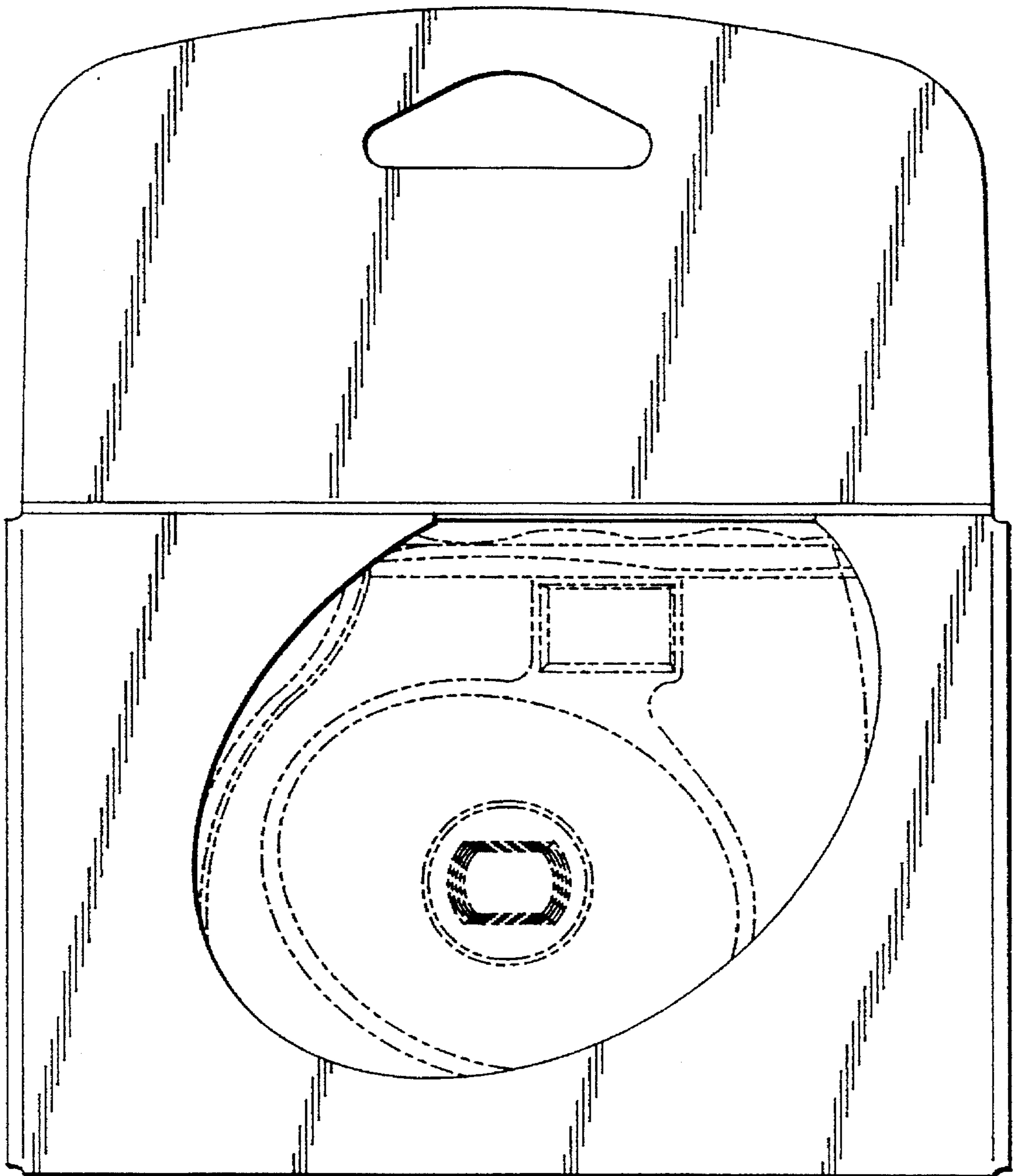


FIG. 3

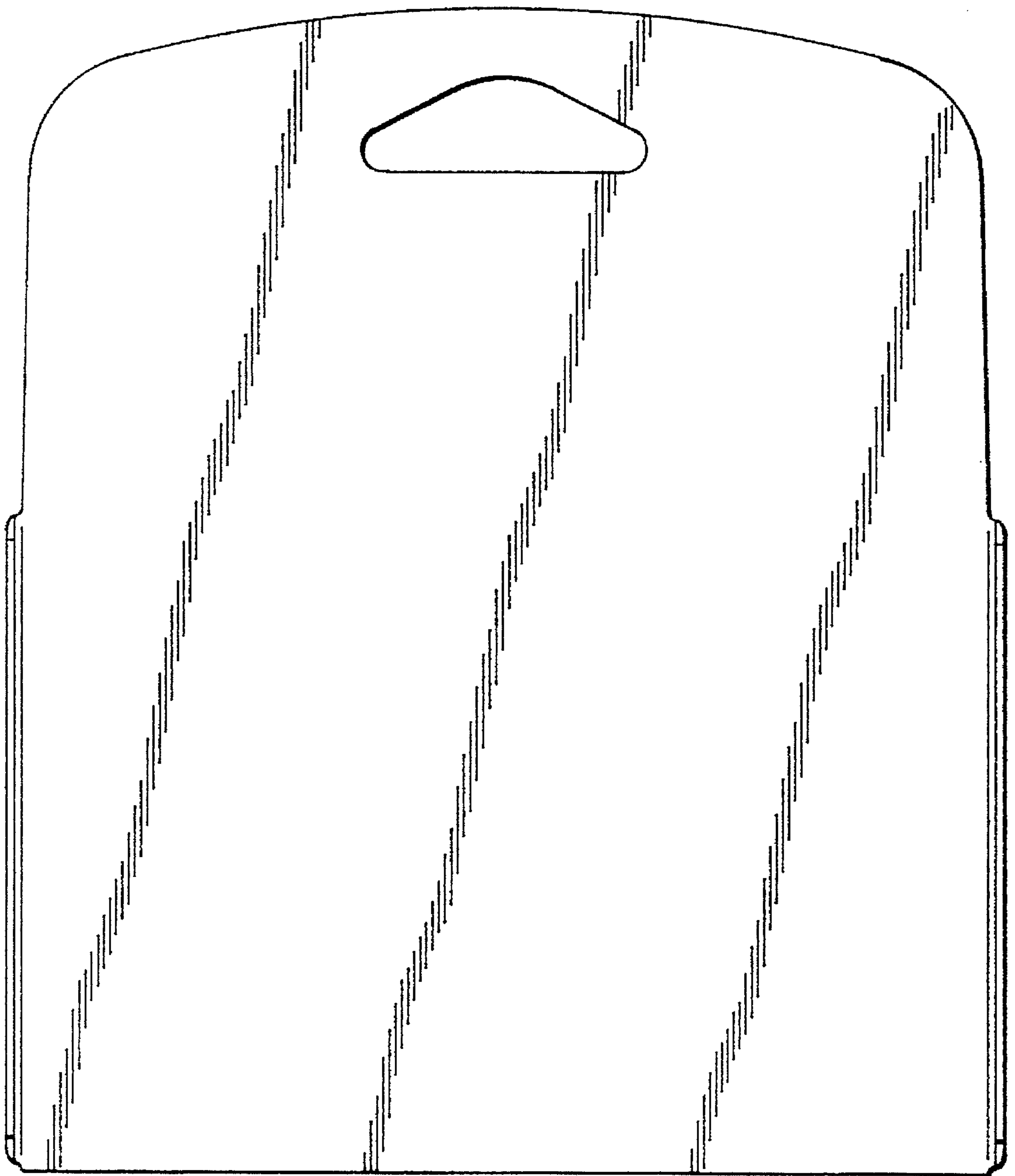


FIG. 4

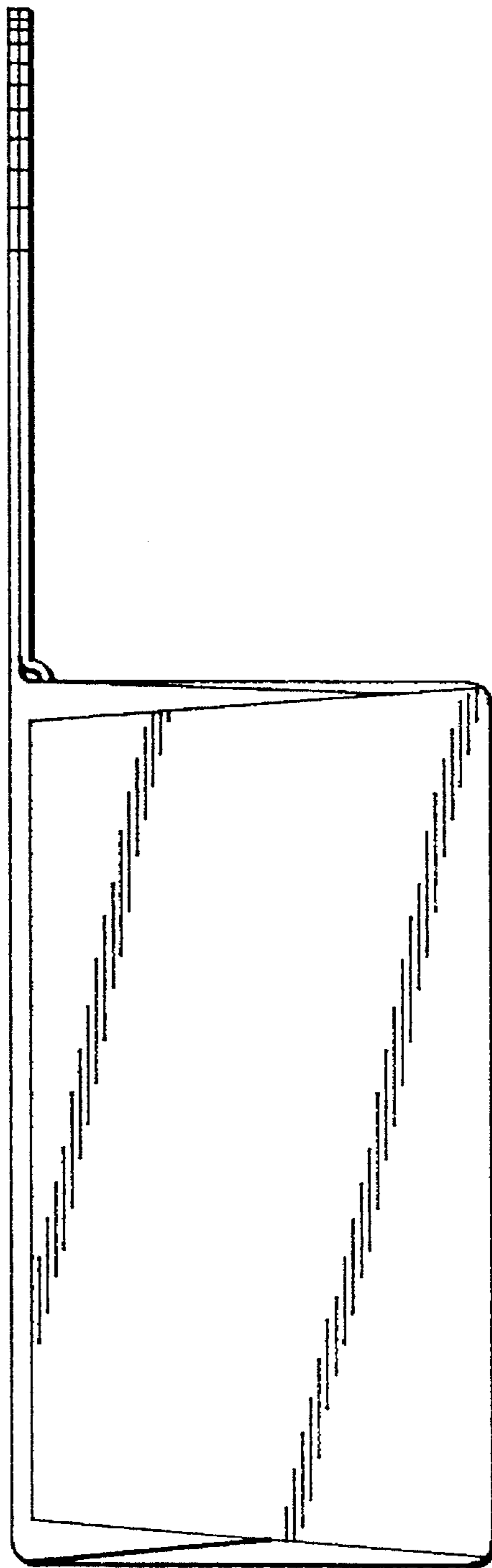


FIG. 5

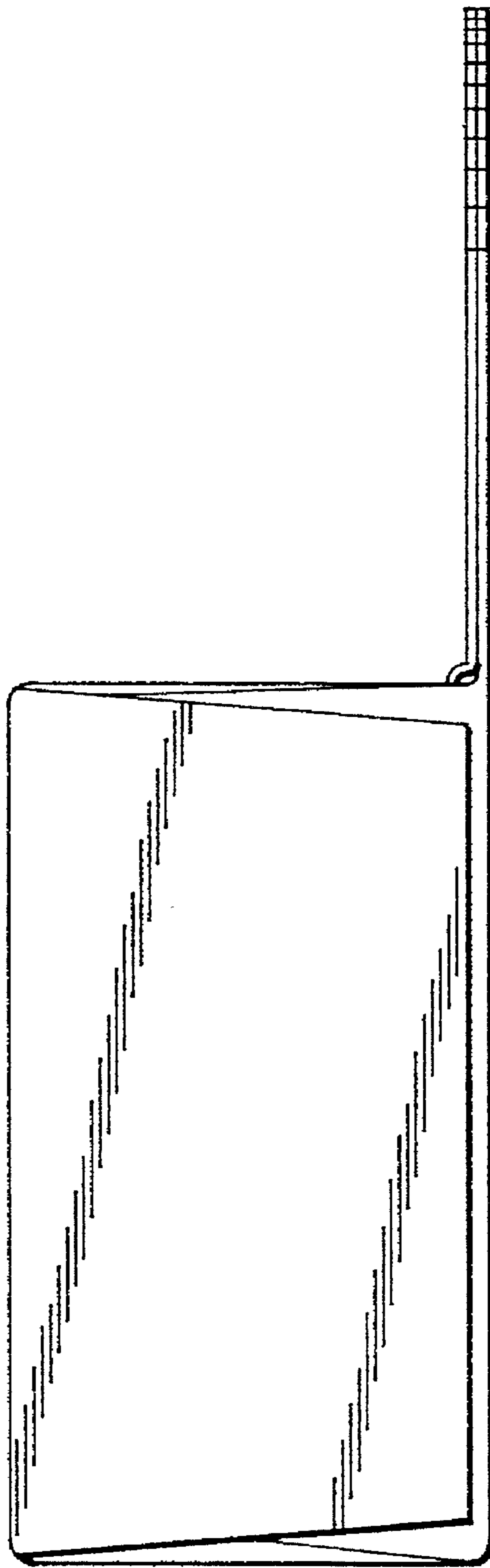


FIG. 6

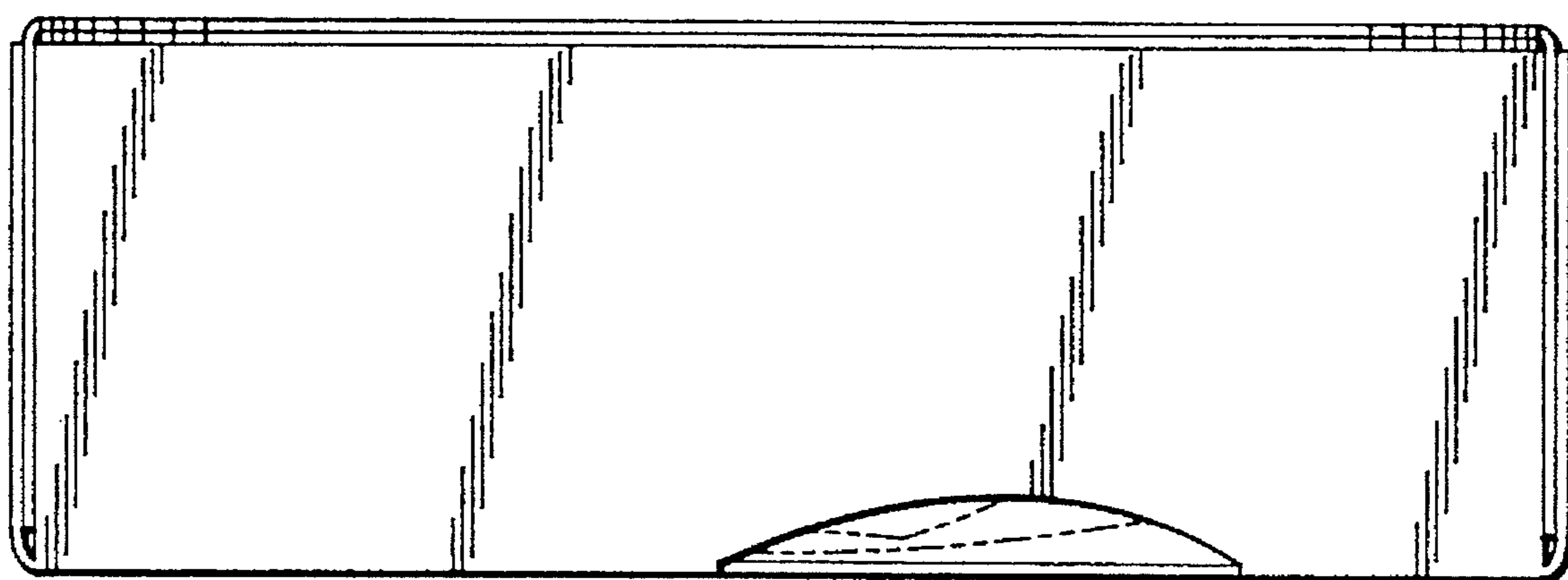


FIG. 7

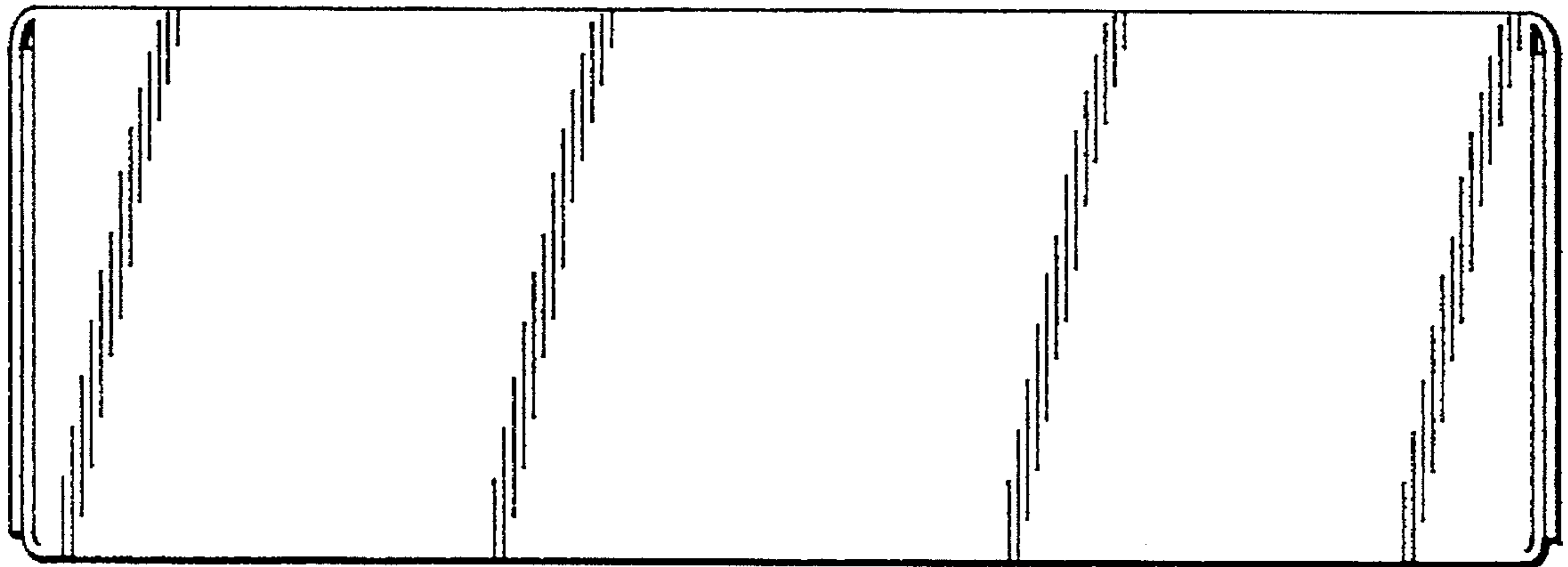


FIG. 8