



US00D369544S

**United States Patent** [19]  
**Culliss**

[11] **Patent Number: Des. 369,544**

[45] **Date of Patent: \*\*May 7, 1996**

[54] **BAG**

[76] Inventor: **Gary Culliss**, 9737 Larsen St.,  
Overland Park, Kans. 66214

[\*\*] Term: **14 Years**

[21] Appl. No.: **35,716**

[22] Filed: **Mar. 6, 1995**

[52] U.S. Cl. .... **D9/305; D9/307; D21/204**

[58] Field of Search ..... **D9/305, 306, 307;**  
**D21/204; 206/457; 383/907**

[56] **References Cited**

**U.S. PATENT DOCUMENTS**

D. 248,189	6/1978	Loomis	.....	D21/204	X
D. 317,254	6/1991	Dembiczak et al.	.....	D9/305	
D. 319,008	8/1991	Leon	.....	D9/307	
D. 334,706	4/1993	Wotton et al.	.....	D9/305	X
D. 340,078	10/1993	Turner	.....	D9/307	X
1,692,305	11/1928	Jacobus	.....	D21/204	X
3,512,700	5/1970	Evans et al.	.....	383/907	X

**OTHER PUBLICATIONS**

Ames Advertisement, Oct. 18, 1992, The Washington Post,  
Pumpkin-Shaped Lawn Bag.

*Primary Examiner*—Prabhakar G. Deshmukh

*Assistant Examiner*—Cheri Cohen  
*Attorney, Agent, or Firm*—Gary Culliss

[57] **CLAIM**

The ornamental design for a bag, as shown and described.

**DESCRIPTION**

FIG. 1 is a front elevational view of the bag showing my new design;

FIG. 2 is a rear elevational view thereof;

FIG. 3 is a left side elevational view thereof;

FIG. 4 is a right side elevational view thereof;

FIG. 5 is a top plan view thereof;

FIG. 6 is a bottom plan view thereof;

FIG. 7 is a front elevation view of a second alternate embodiment;

FIG. 8 is a rear elevation view thereof;

FIG. 9 is a left side elevational view thereof;

FIG. 10 is a right side elevational view thereof;

FIG. 11 is a top plan view thereof; and,

FIG. 12 is a bottom plan view thereof.

**1 Claim, 6 Drawing Sheets**

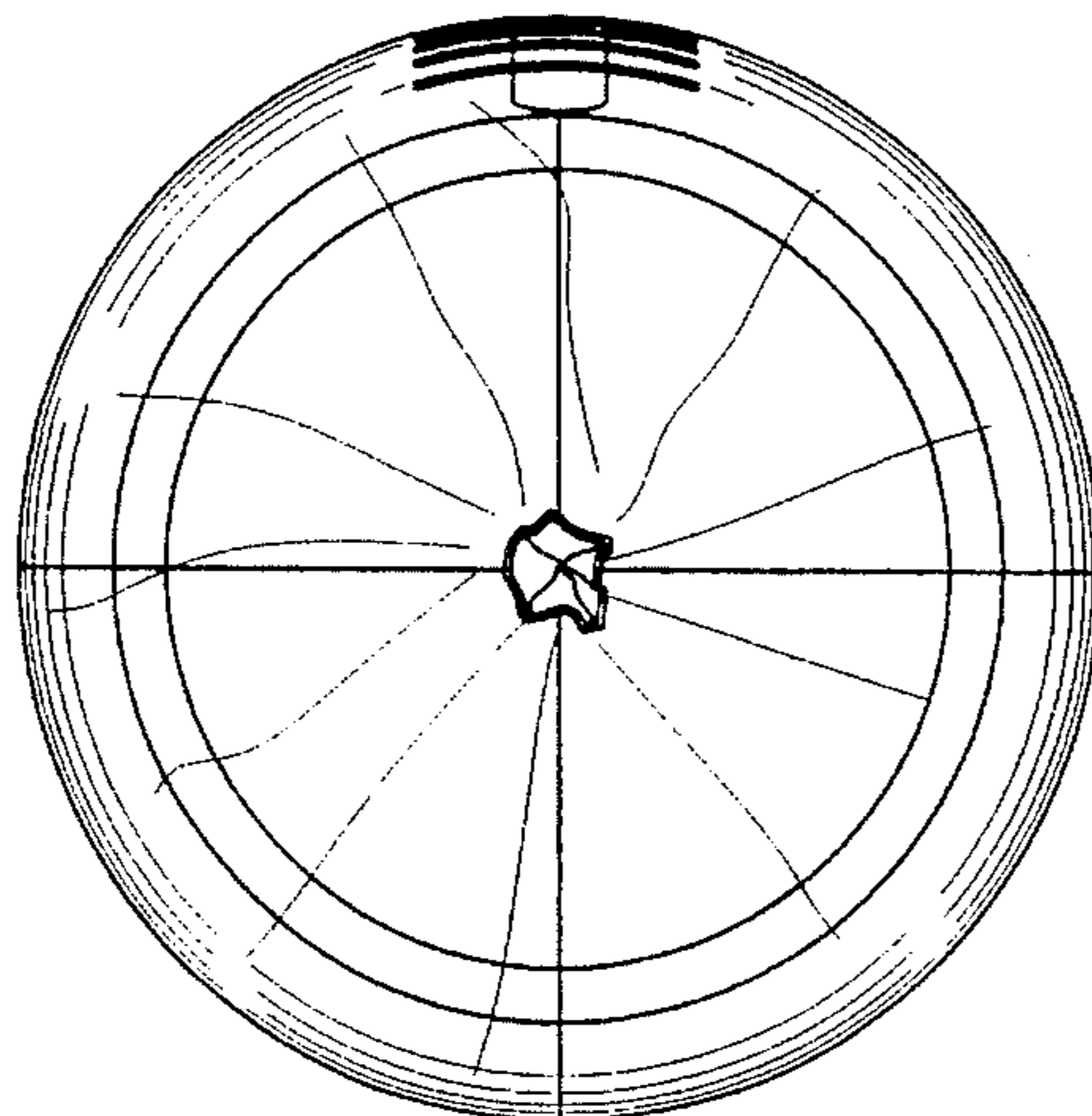
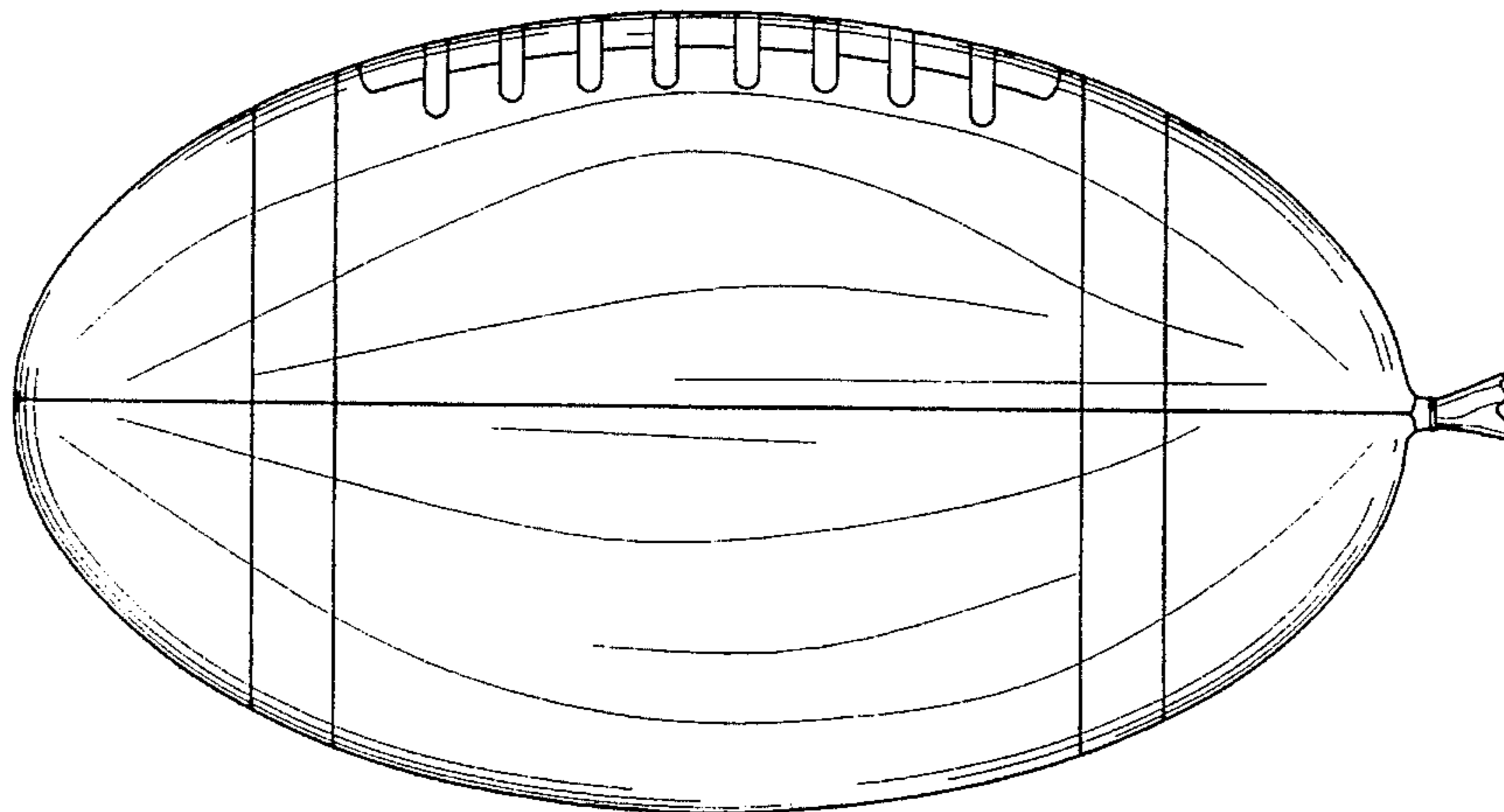


FIG. 1

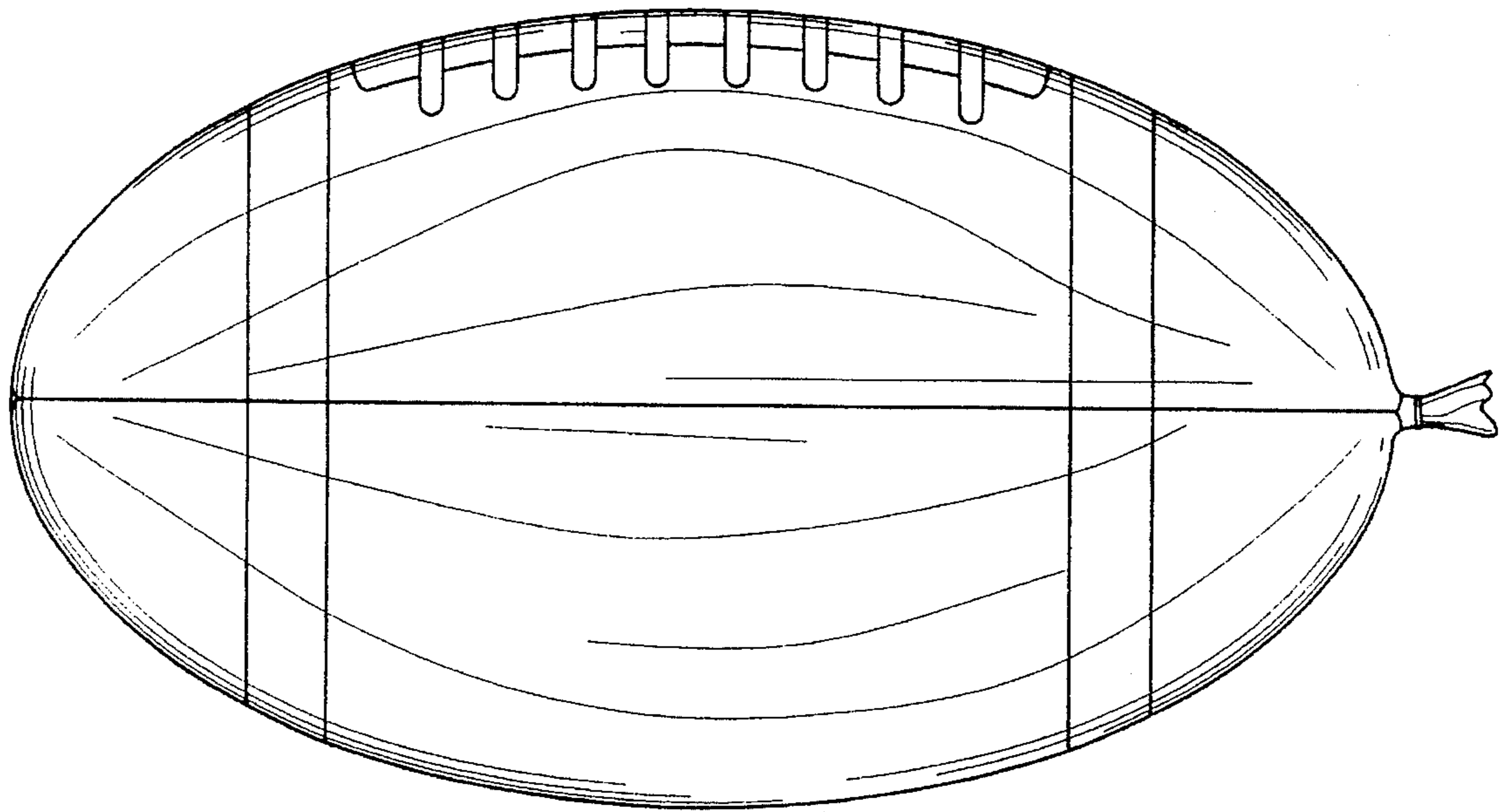


FIG. 2

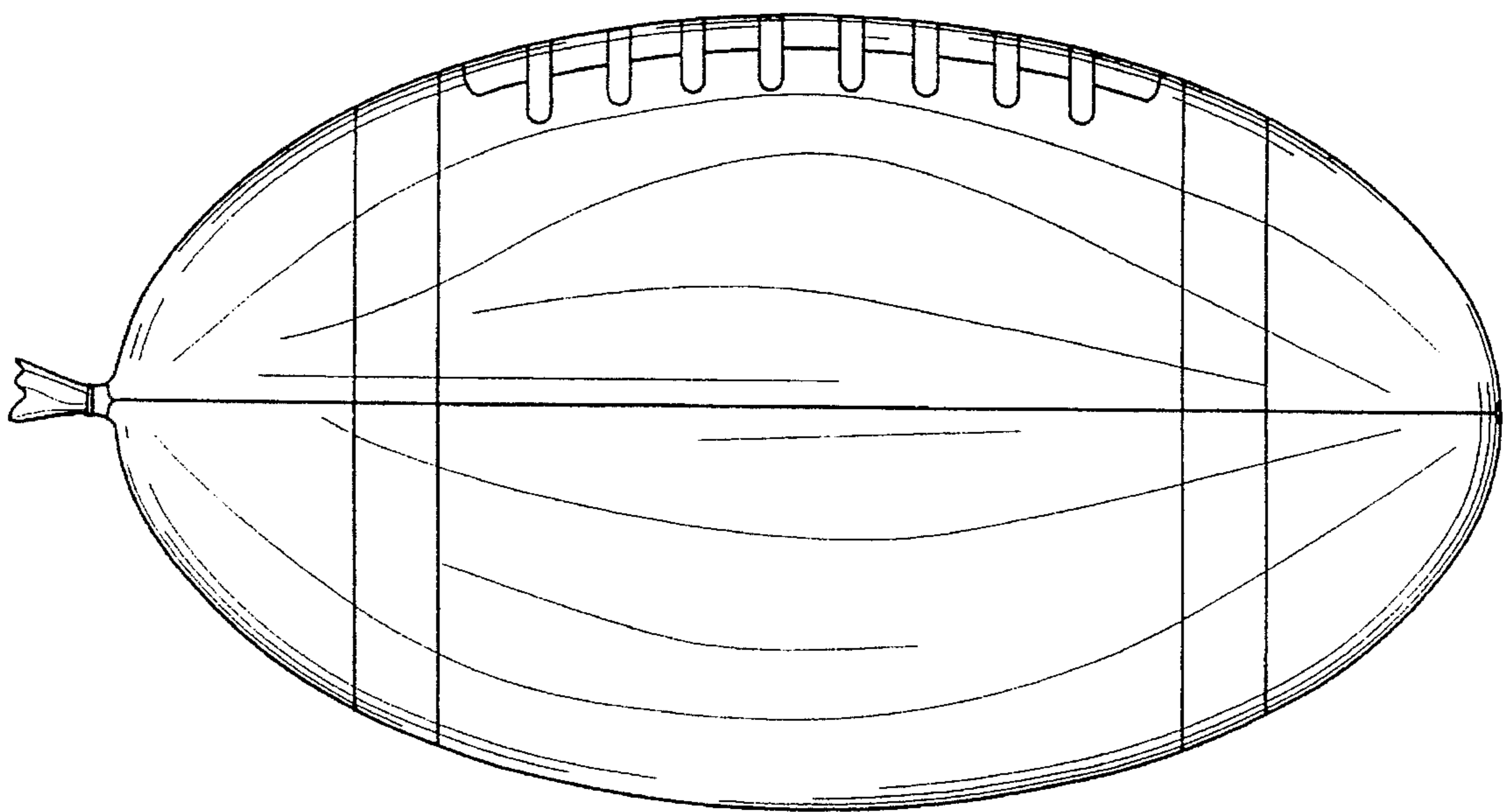


FIG. 3

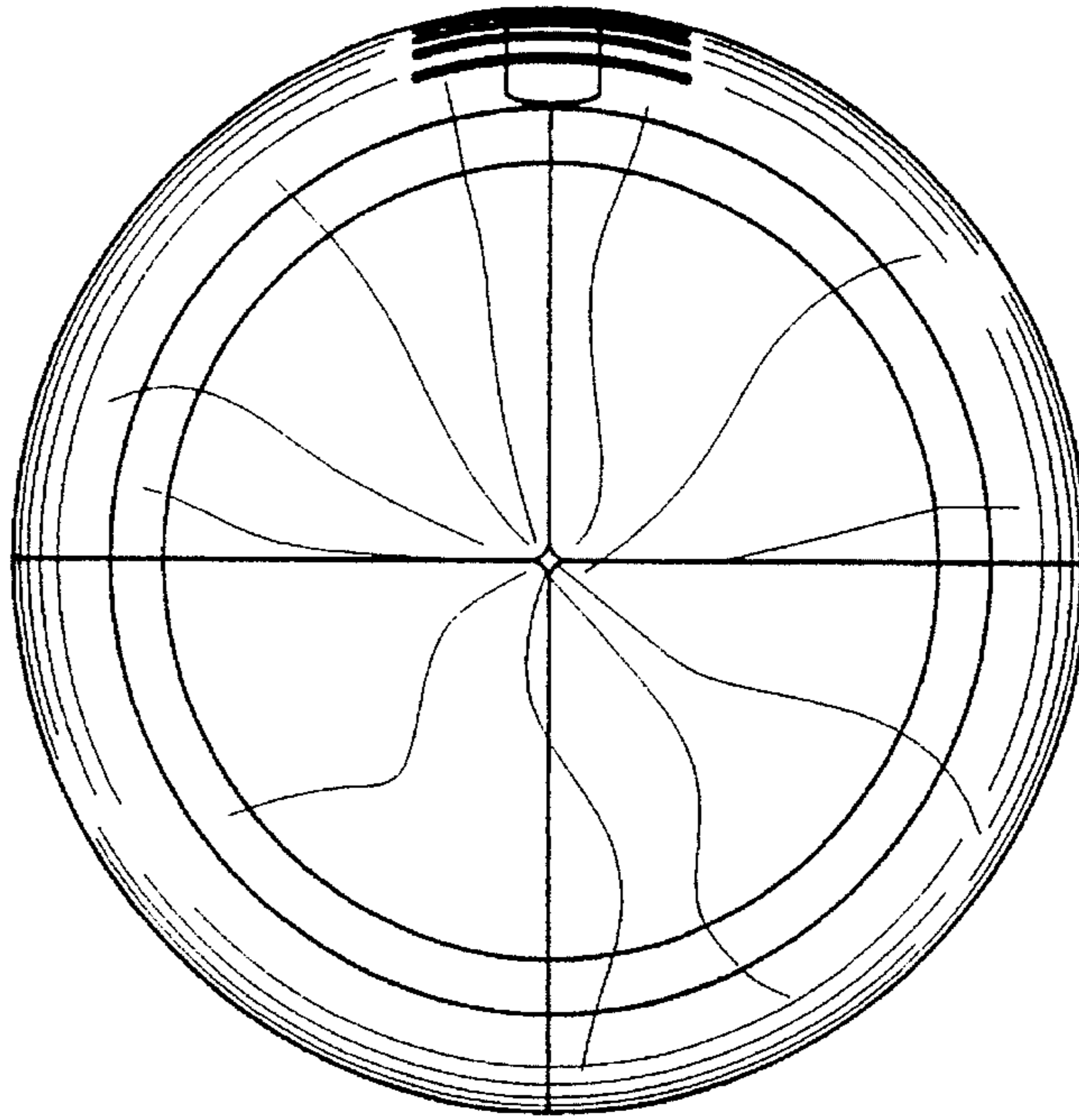


FIG. 4

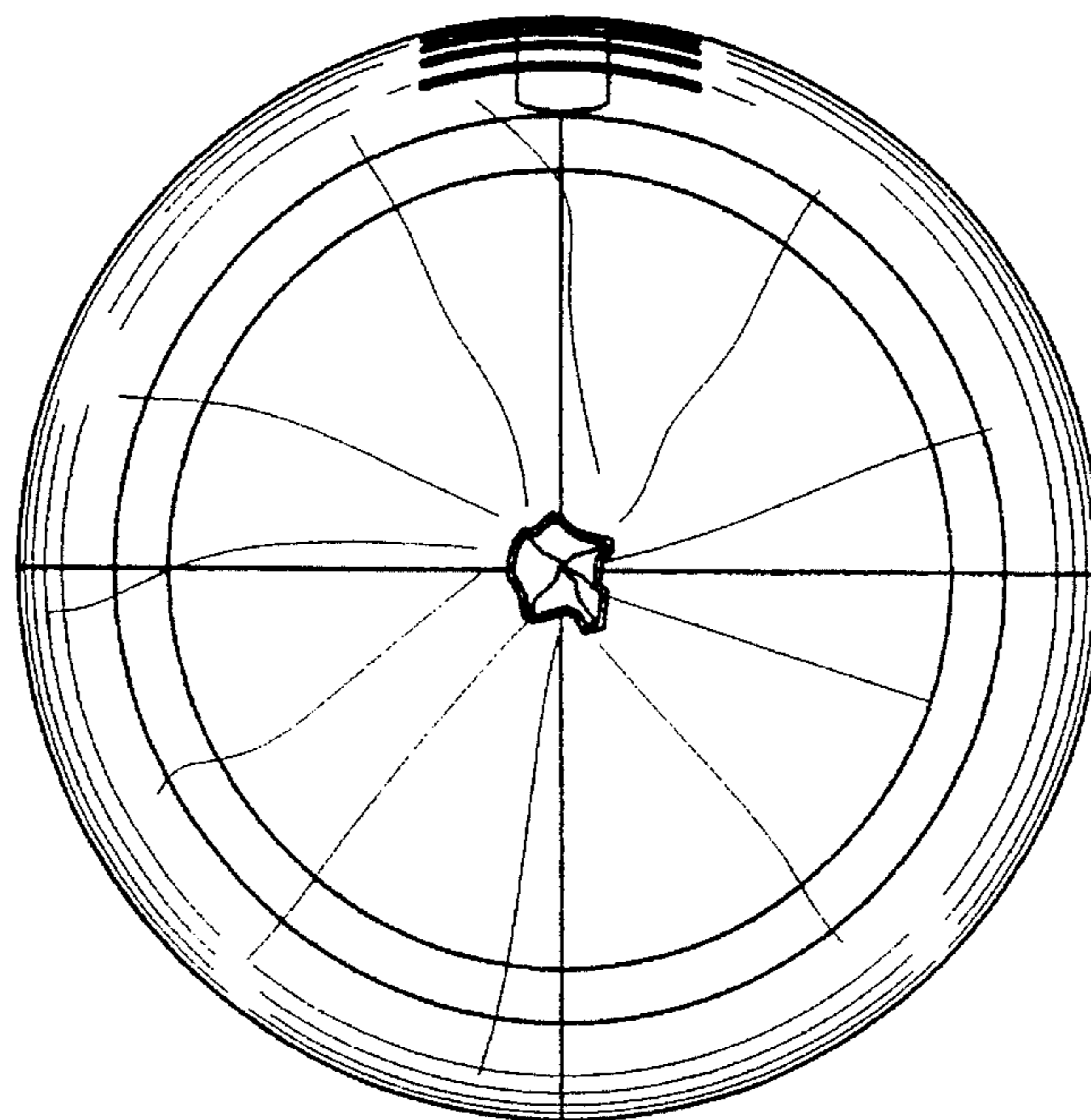


FIG. 5

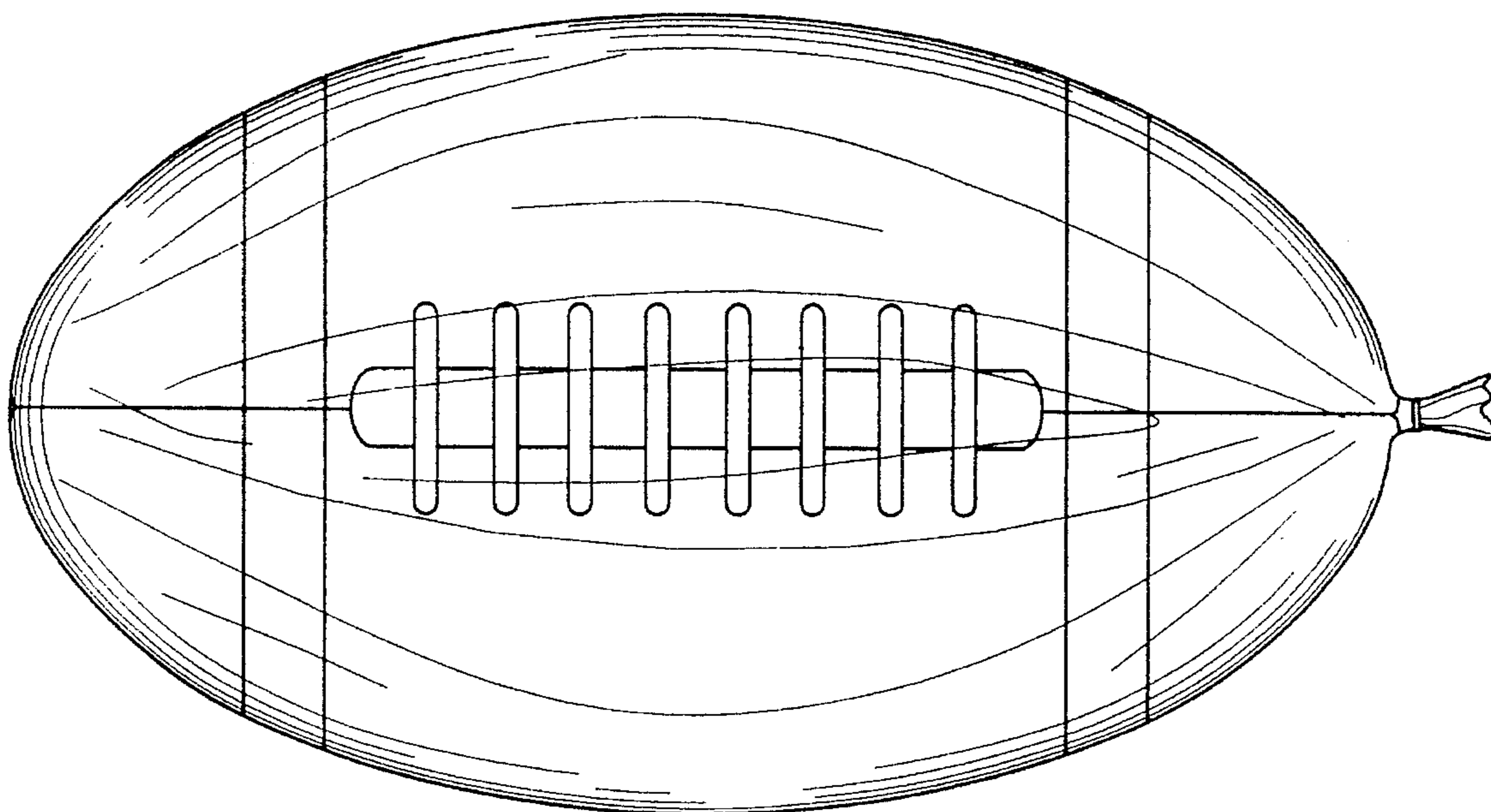


FIG. 6

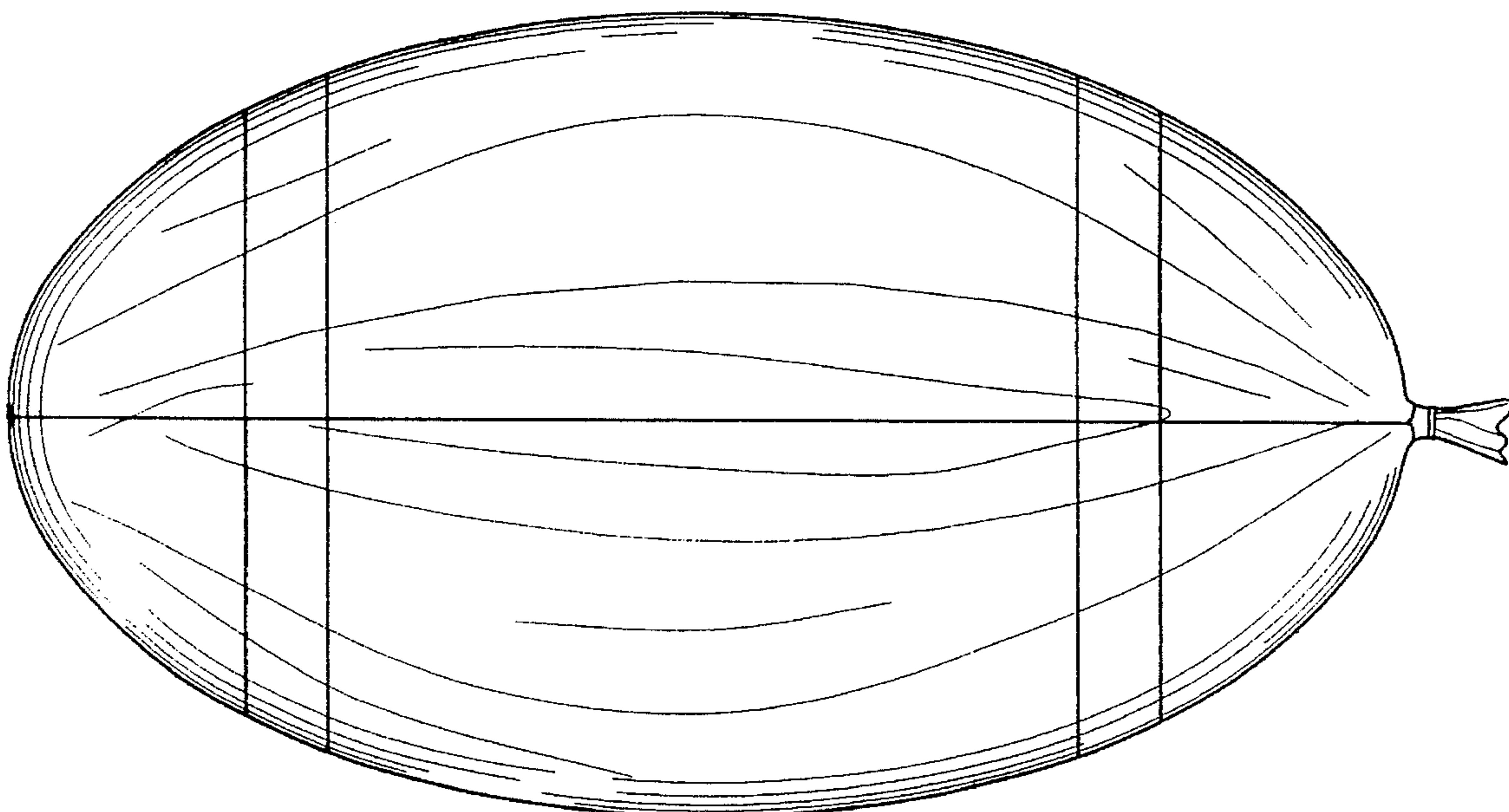


FIG. 7

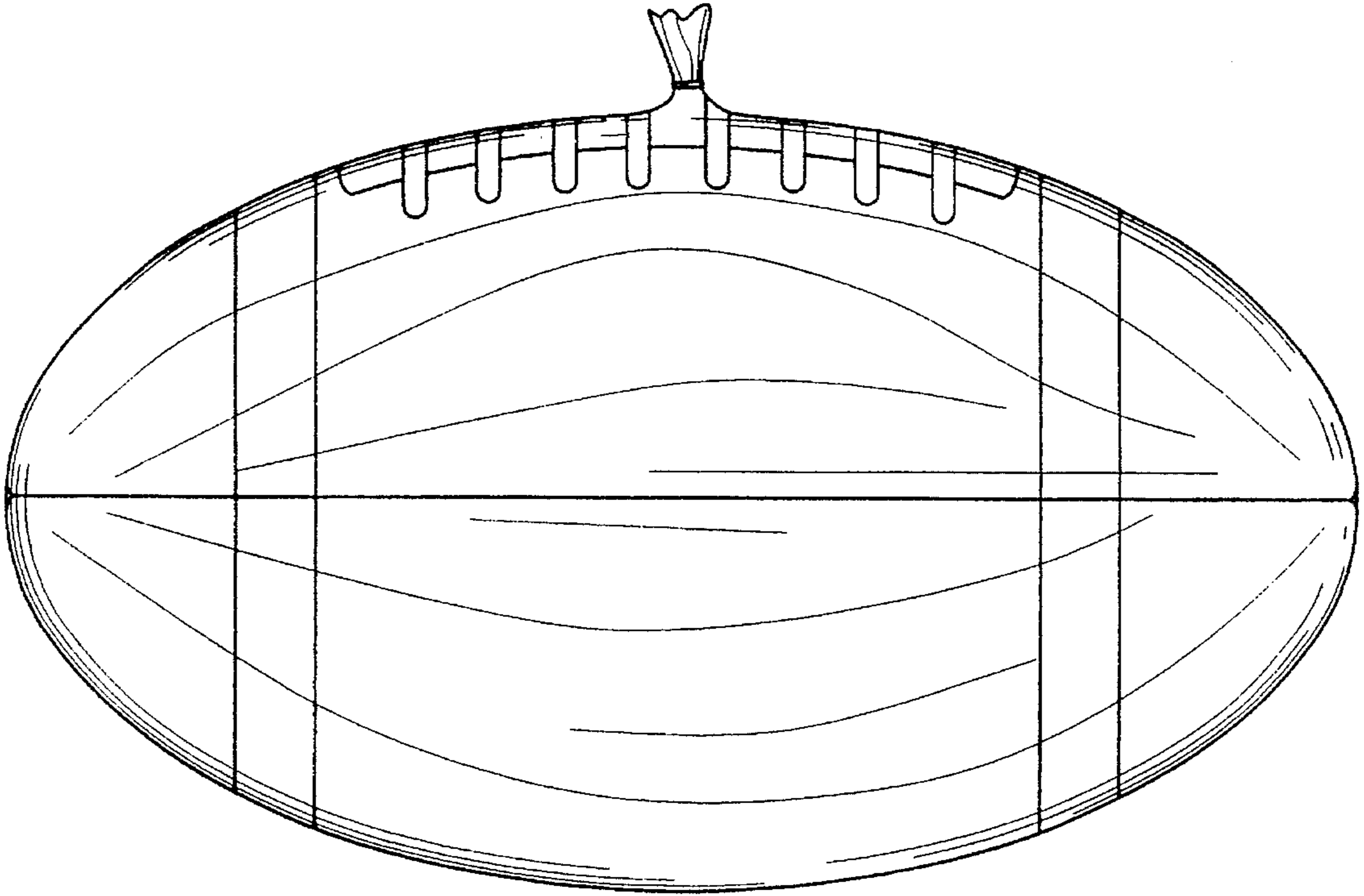


FIG. 8

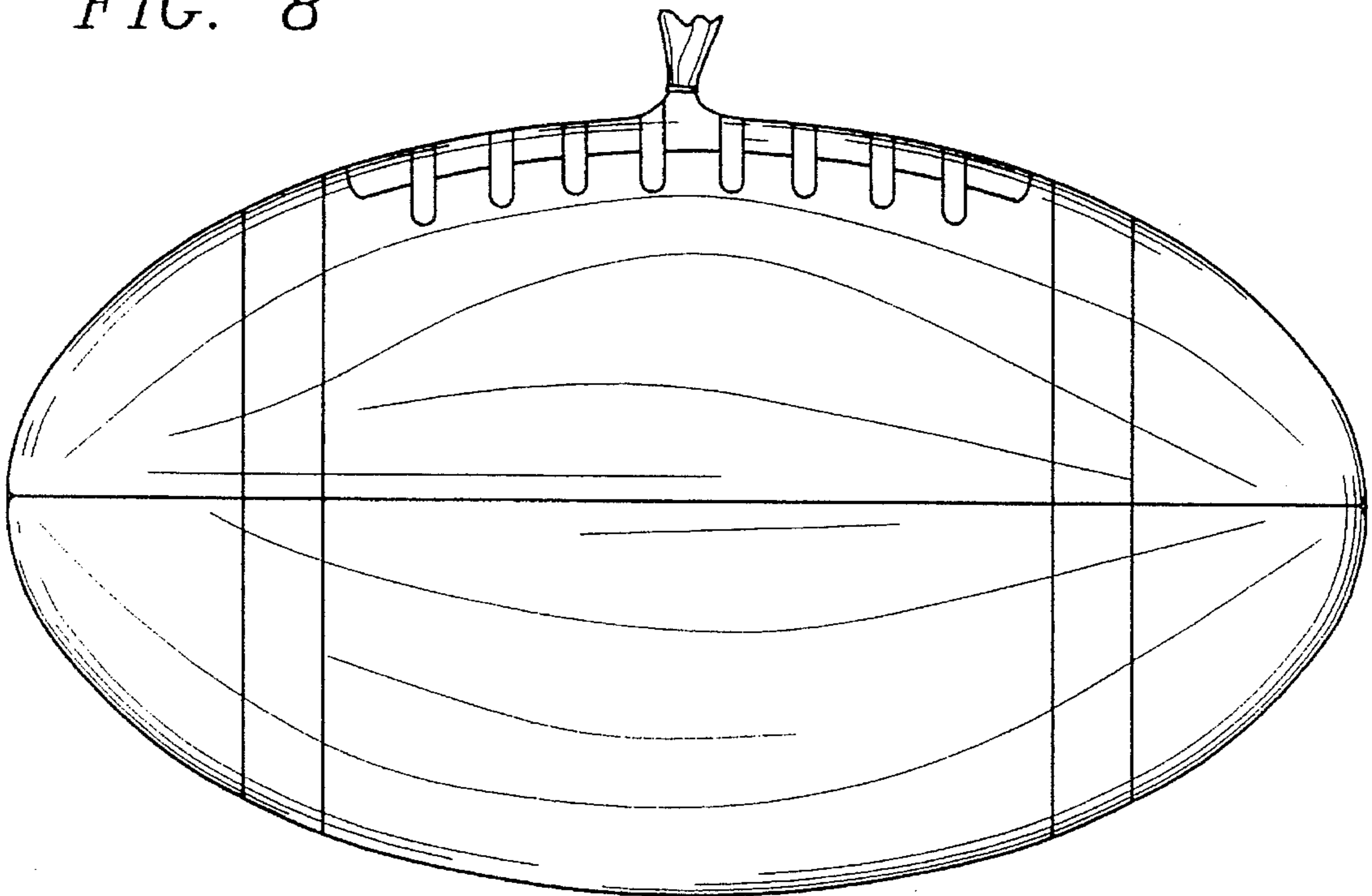


FIG. 9

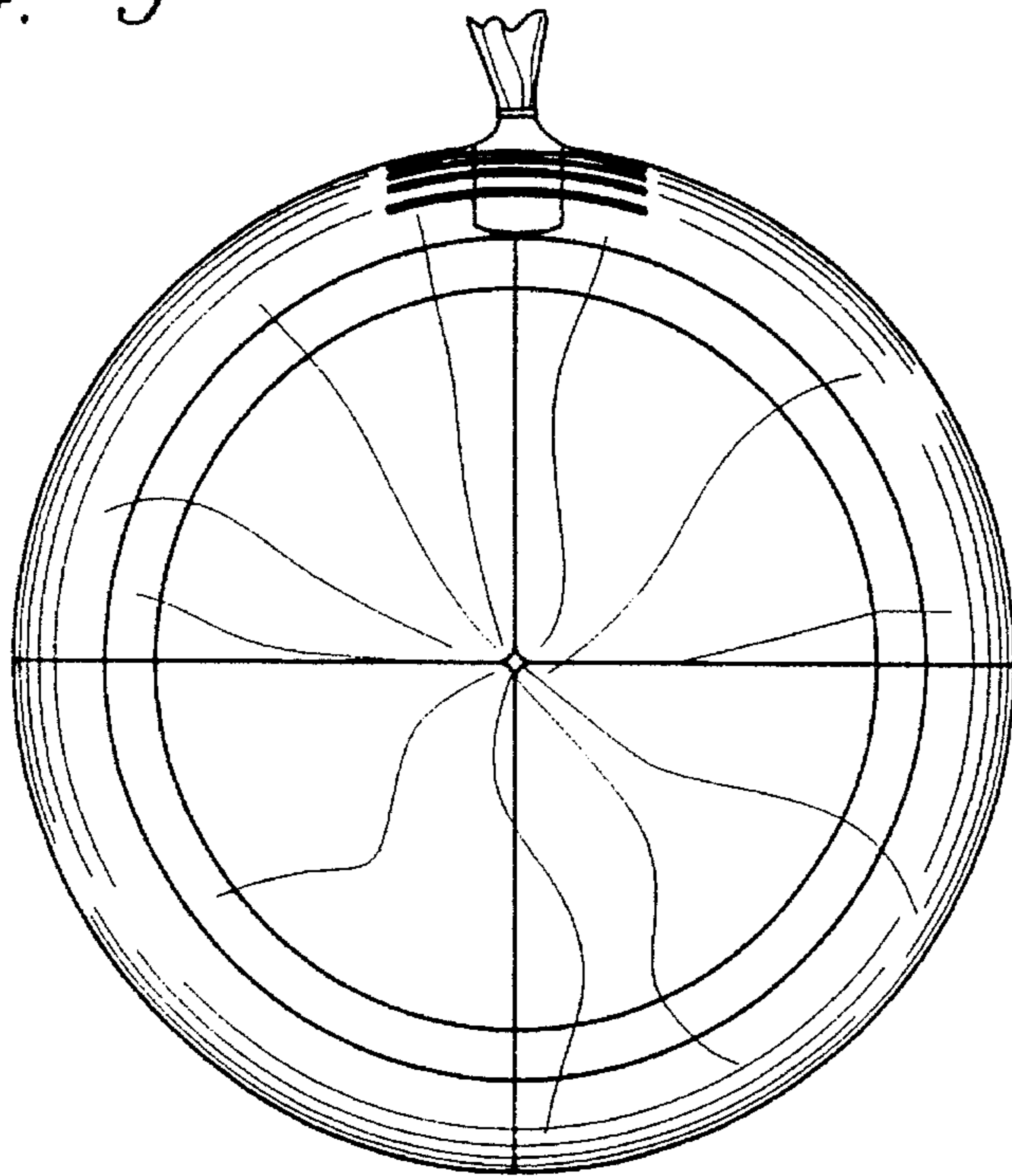


FIG. 10

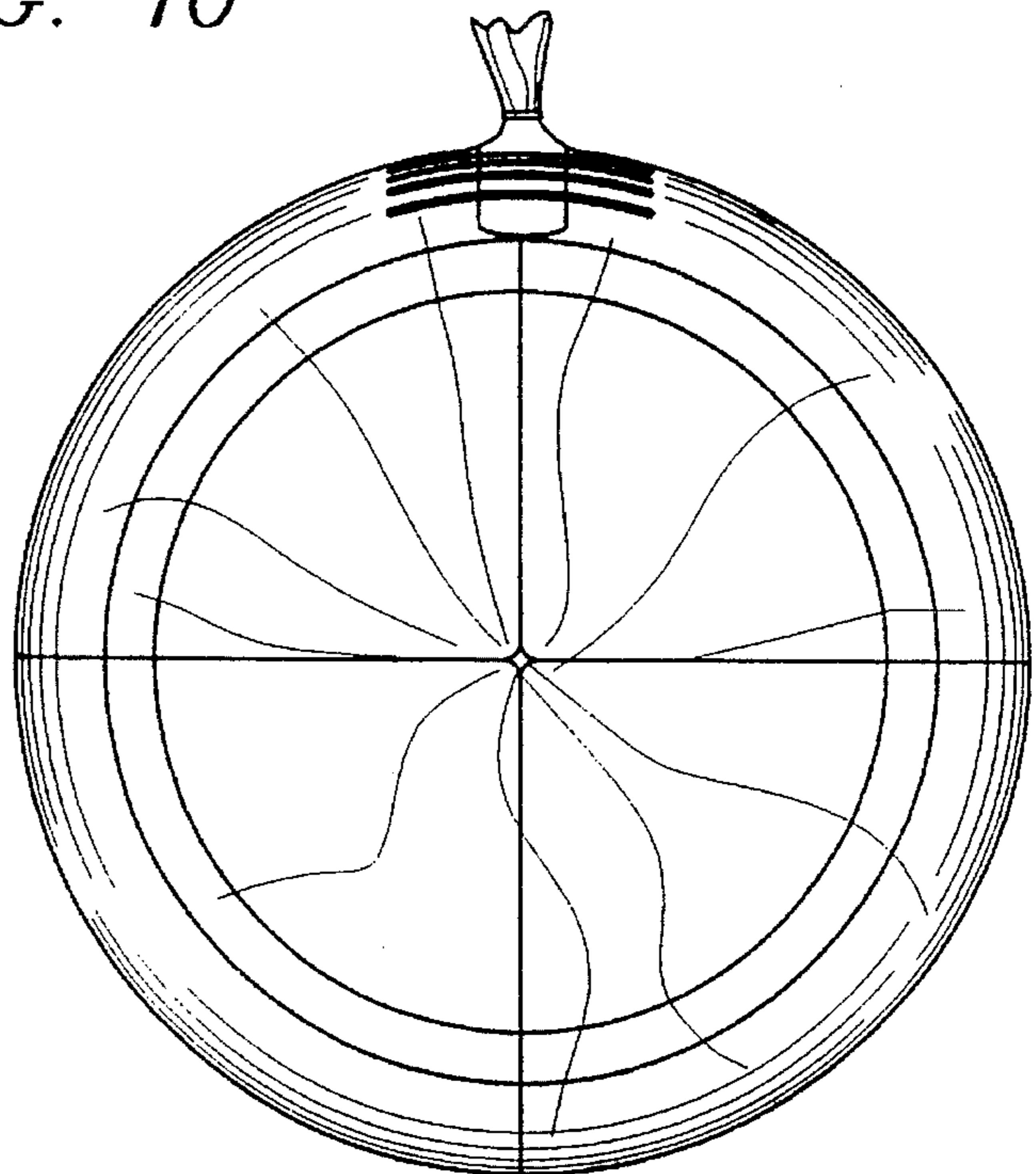


FIG. 11

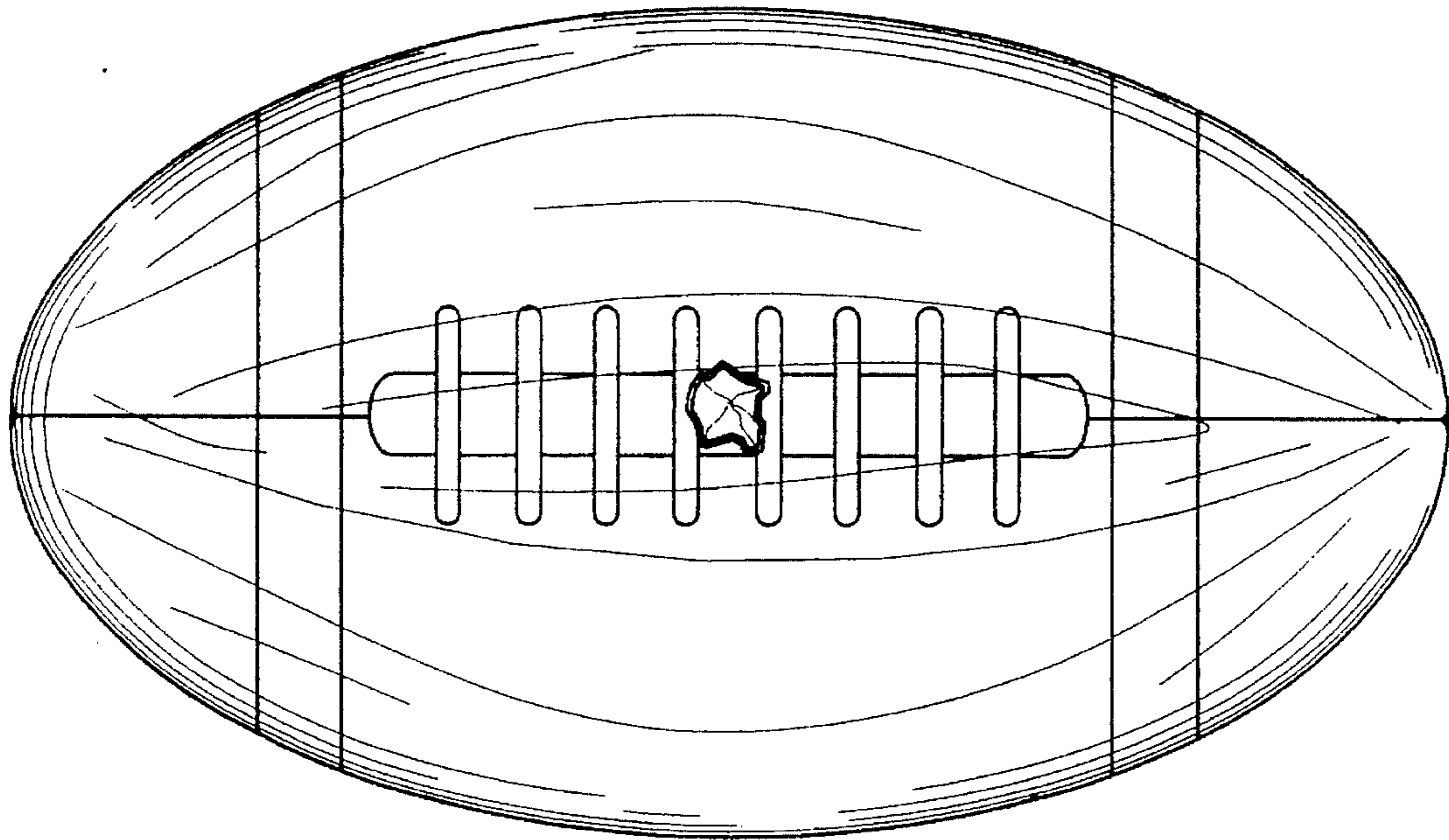


FIG. 12

