



US00D369543S

United States Patent [19]
Culliss

[11] **Patent Number: Des. 369,543**
[45] **Date of Patent: **May 7, 1996**

[54] **BAG**

[76] **Inventor: Gary Culliss, 9737 Larsen St.,
Overland Park, Kans. 66214**

[**] **Term: 14 Years**

[21] **Appl. No.: 34,762**

[22] **Filed: Feb. 13, 1995**

[52] **U.S. Cl. D9/305; D9/320**

[58] **Field of Search D9/305, 306, 307,
D9/320; D29/102-106; 383/907; 206/457**

[56] **References Cited**

U.S. PATENT DOCUMENTS

D. 317,254	6/1991	Dembiczak et al.	D9/305
D. 330,857	11/1992	Kidd	D9/320 X
D. 334,706	4/1993	Wotton et al.	D9/307
D. 338,546	8/1993	Barker	D29/106 X
D. 344,659	3/1994	Hsu	D9/307 X
3,512,700	5/1970	Evans et al.	383/907 X
4,566,292	1/1986	Parment	D9/320 X

OTHER PUBLICATIONS

Ames Advertisement, Oct. 18, 1992, The Washington Post,
Pumpkin-Shaped Lawn Bag.

Primary Examiner—Prabhakar G. Deshmukh

Assistant Examiner—Cheri Cohen
Attorney, Agent, or Firm—Gary Culliss

[57] **CLAIM**

The ornamental design for a bag, as shown and described.

DESCRIPTION

FIG. 1 is a front elevational view of the bag showing my new design;

FIG. 2 is a rear elevational view thereof;

FIG. 3 is a left side elevational view thereof;

FIG. 4 is a right side elevational view thereof;

FIG. 5 is a top plan view thereof;

FIG. 6 is a bottom plan view thereof;

FIG. 7 is a front elevation view of a second alternate embodiment;

FIG. 8 is a rear elevation view thereof;

FIG. 9 is a left side elevational view thereof;

FIG. 10 is a right side elevational view thereof;

FIG. 11 is a top plan view thereof; and,

FIG. 12 is a bottom plan view thereof.

1 Claim, 6 Drawing Sheets

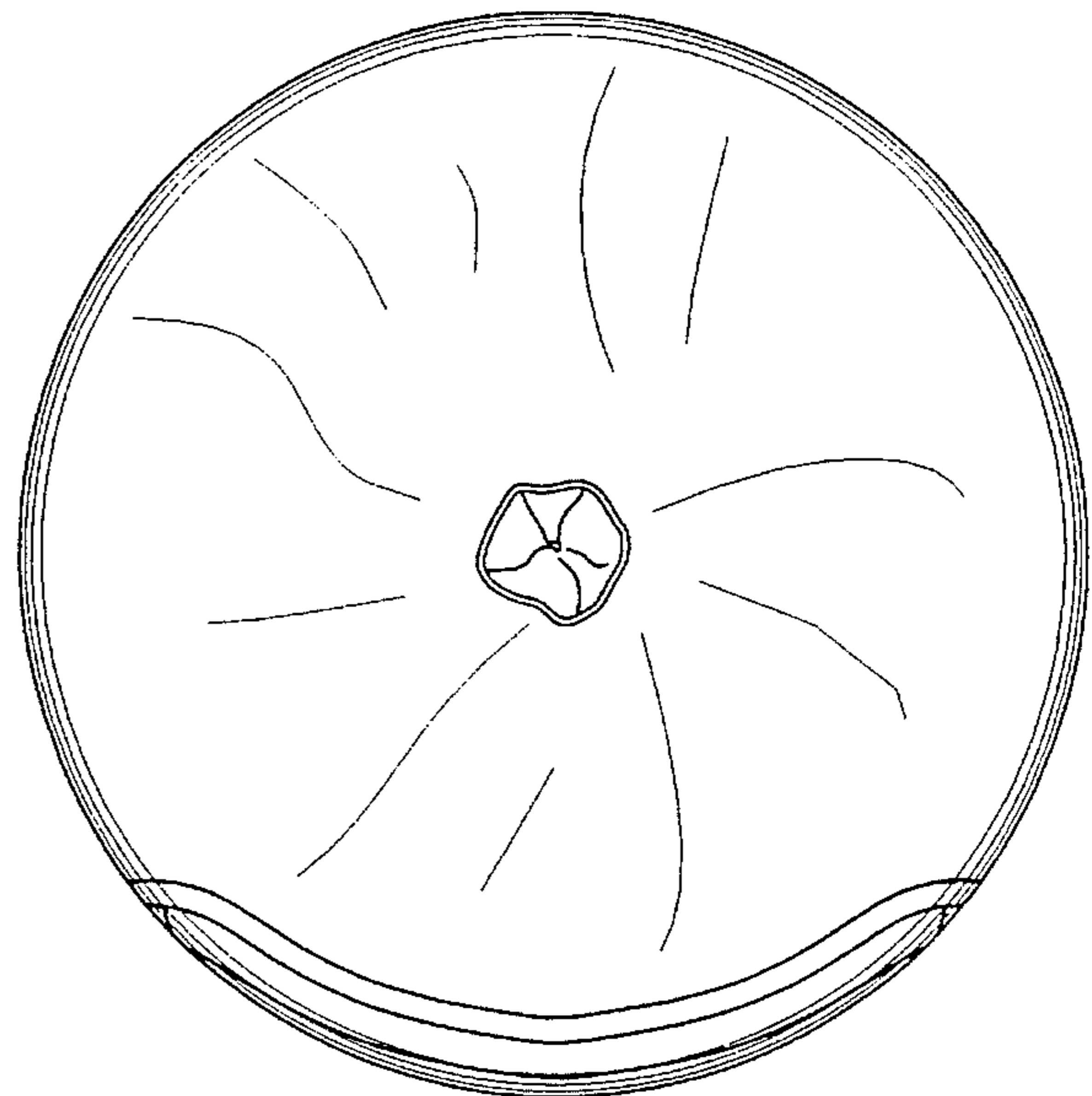
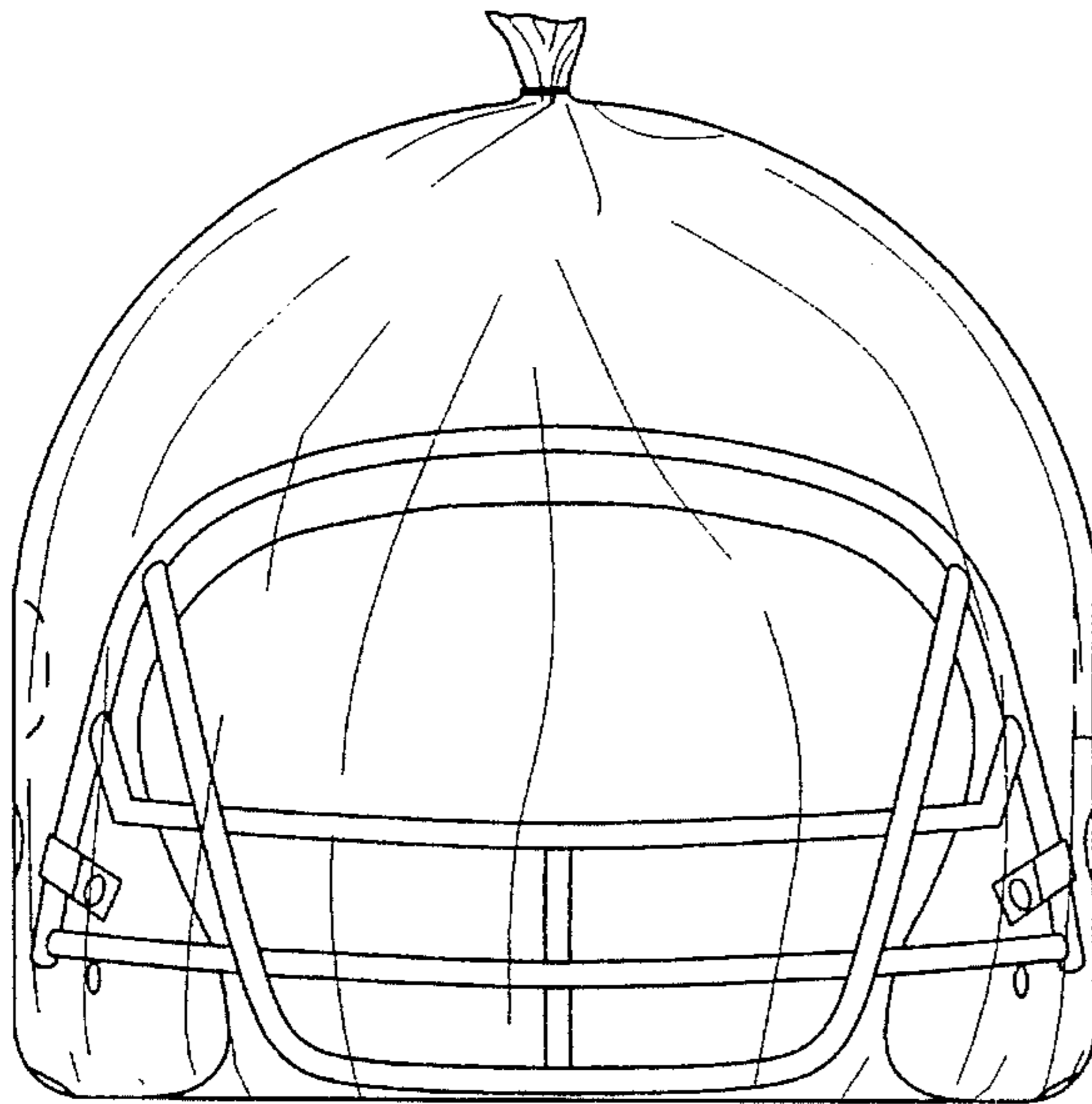


FIG. 1

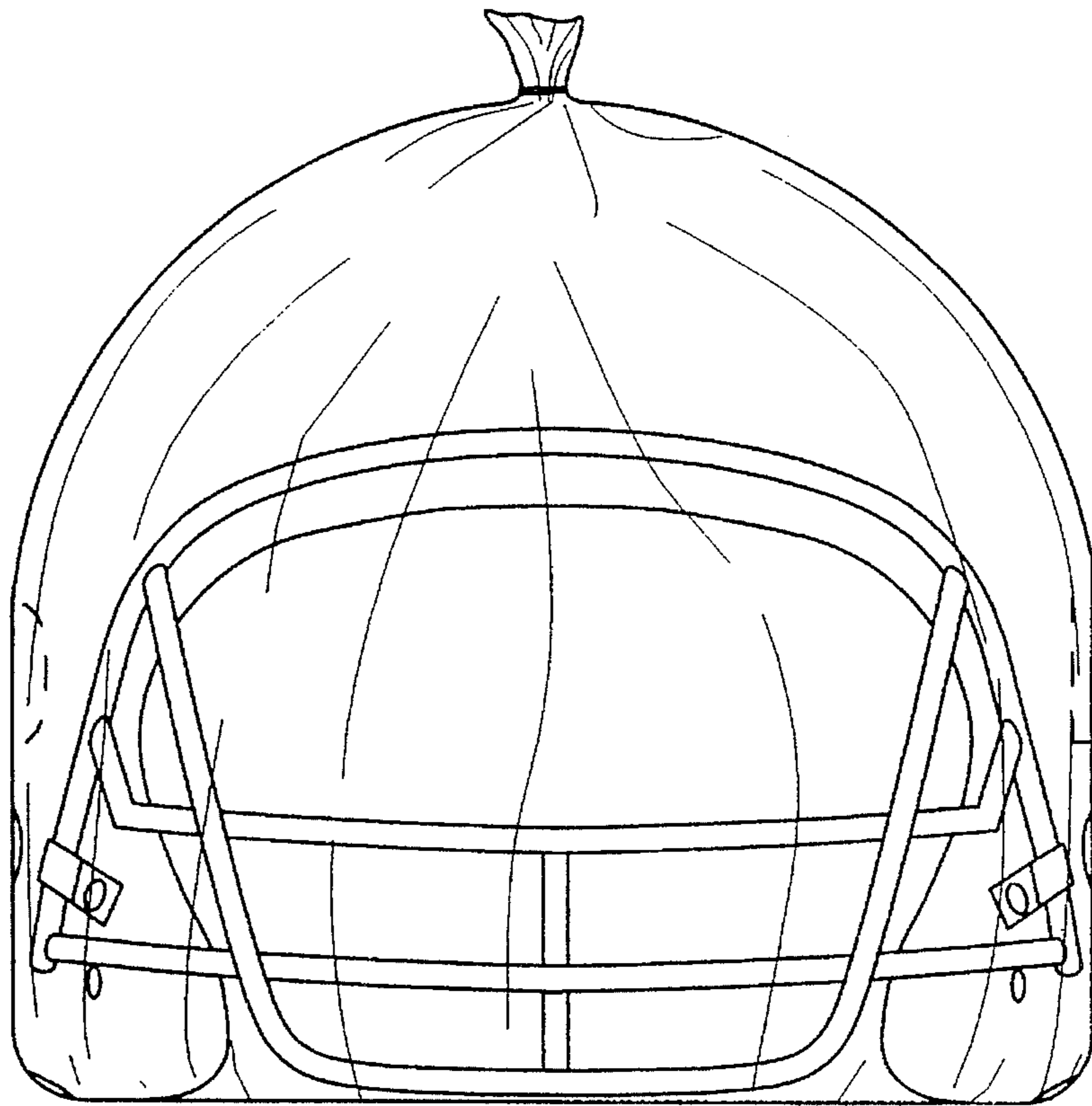


FIG. 2

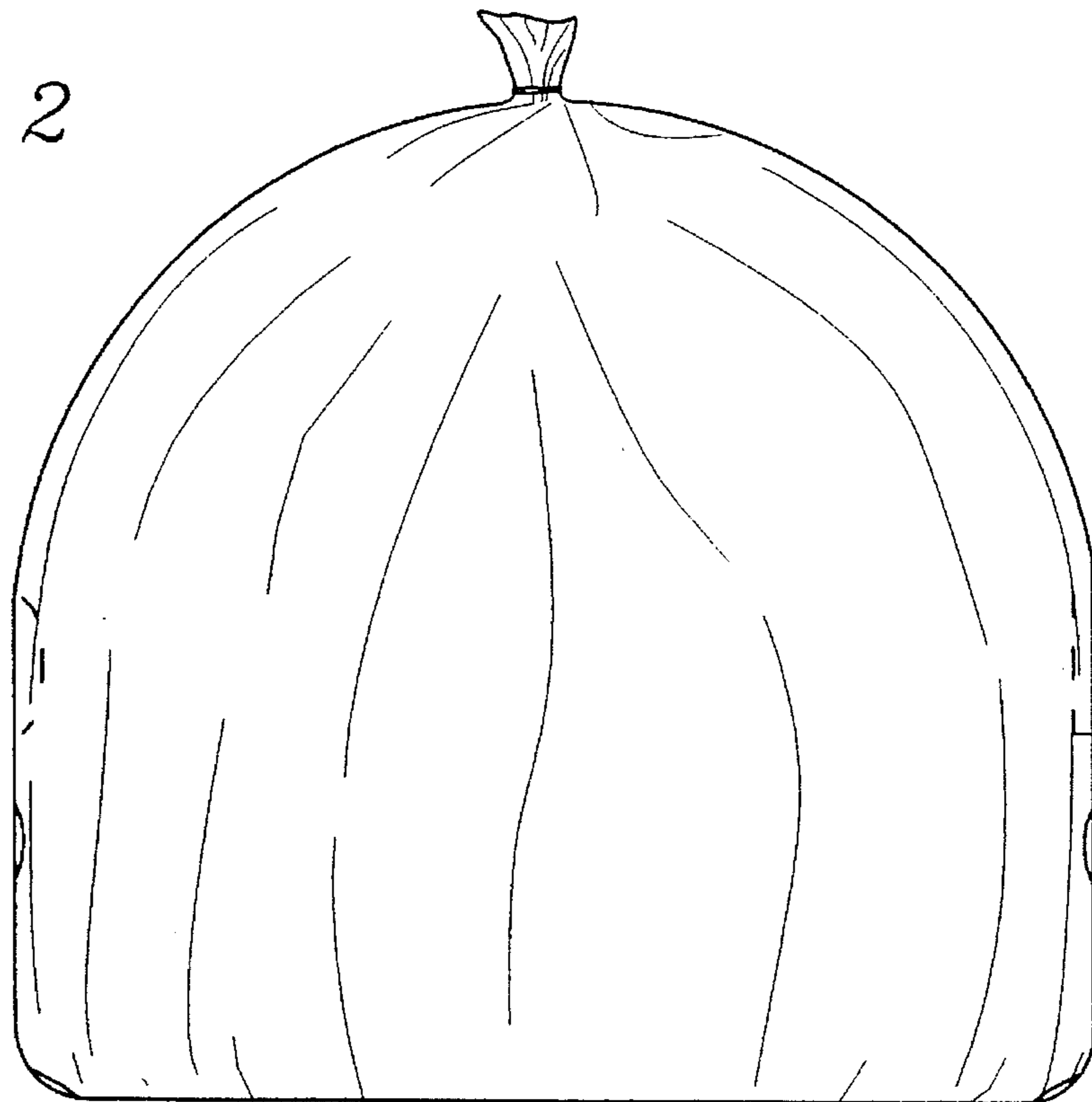


FIG. 3

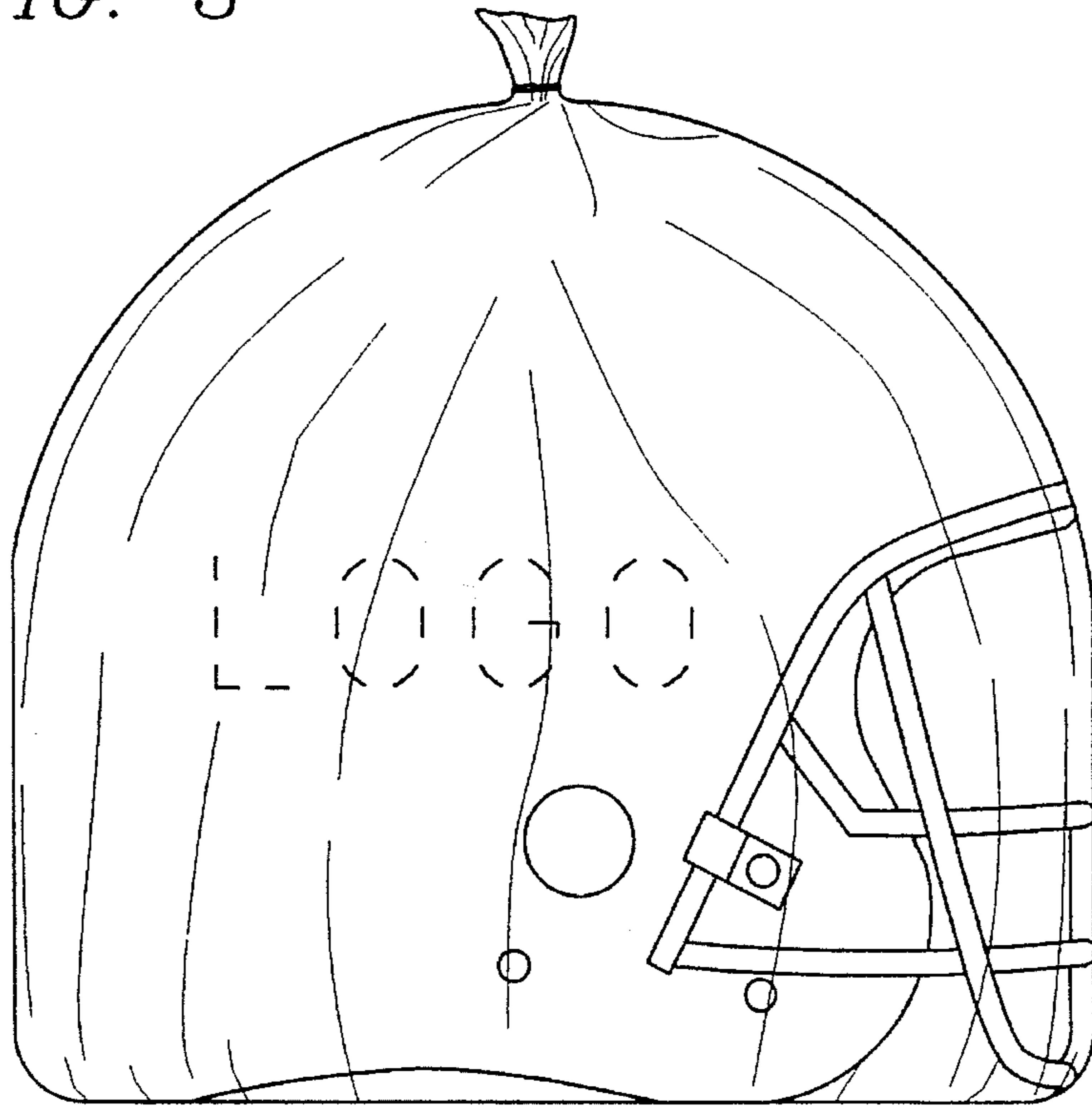


FIG. 4

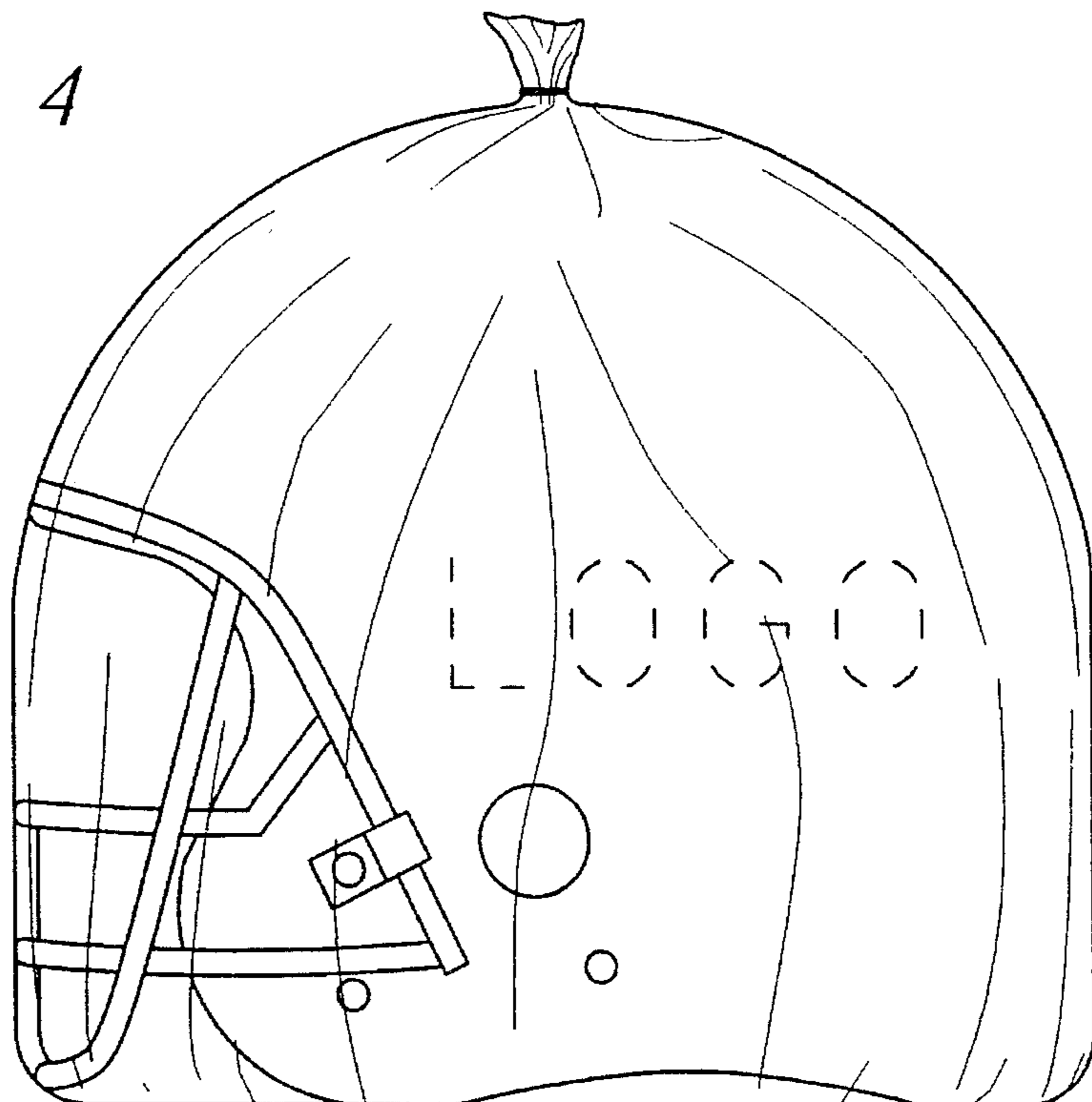


FIG. 5

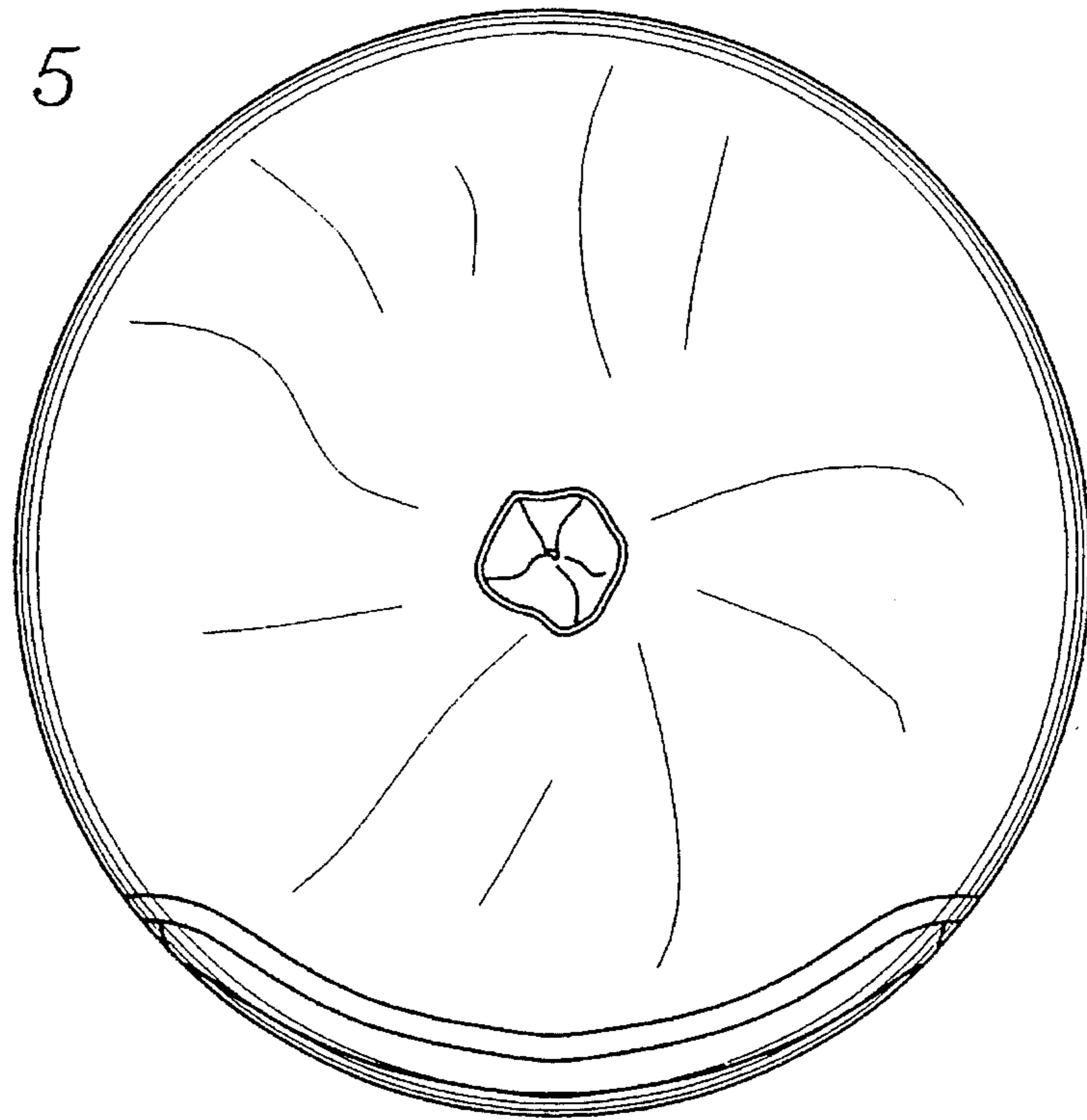


FIG. 6

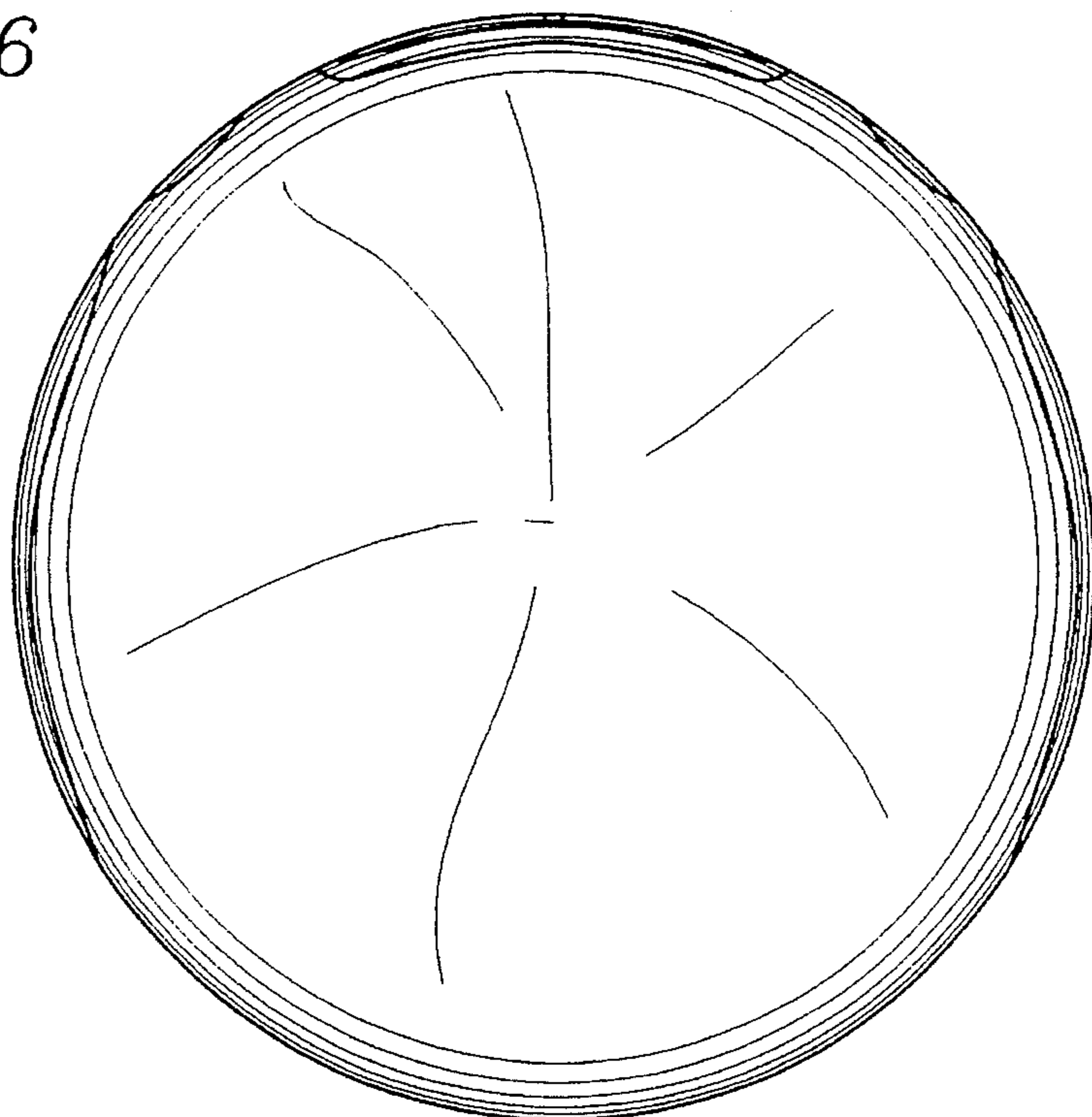


FIG. 7

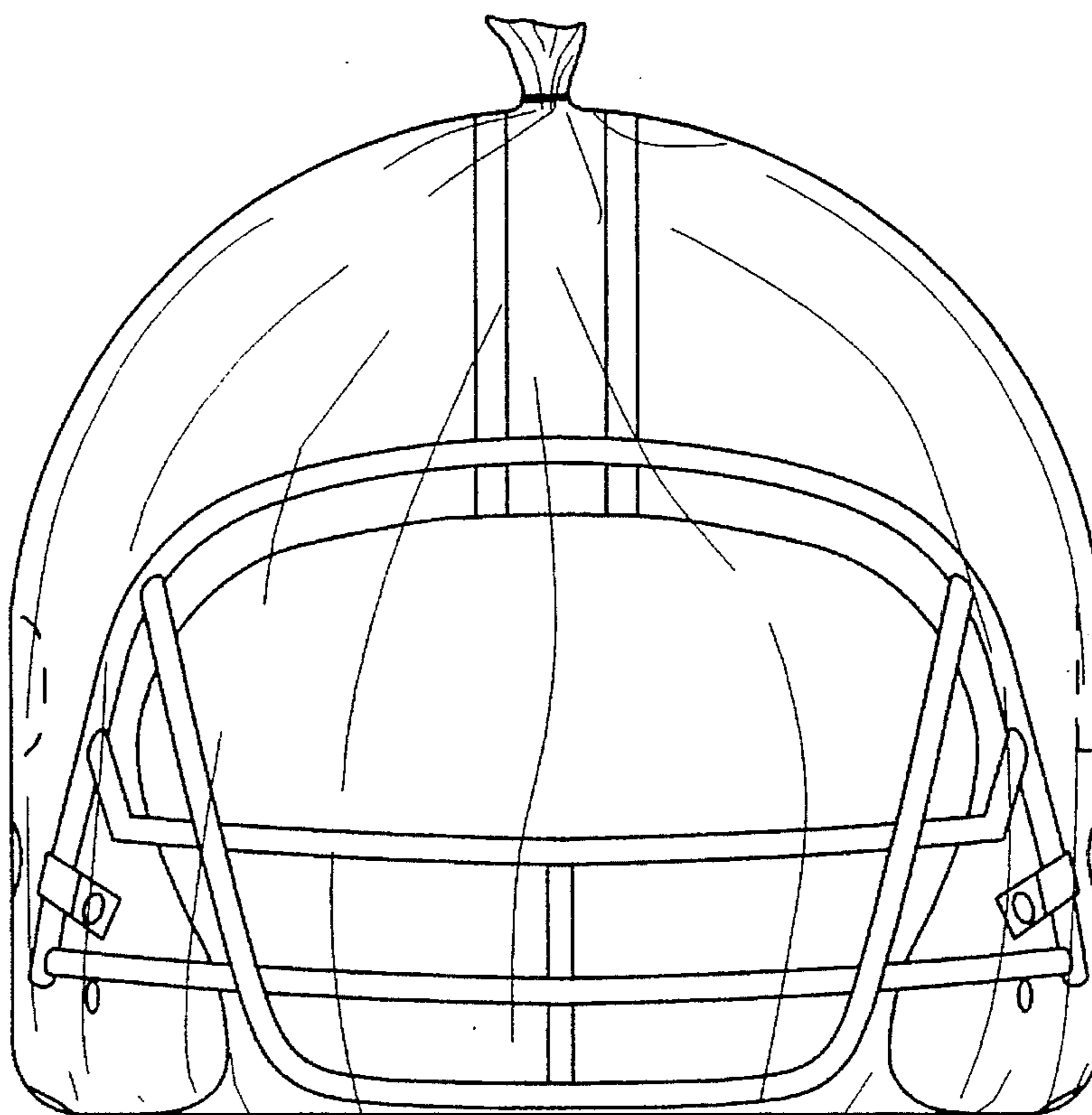


FIG. 8

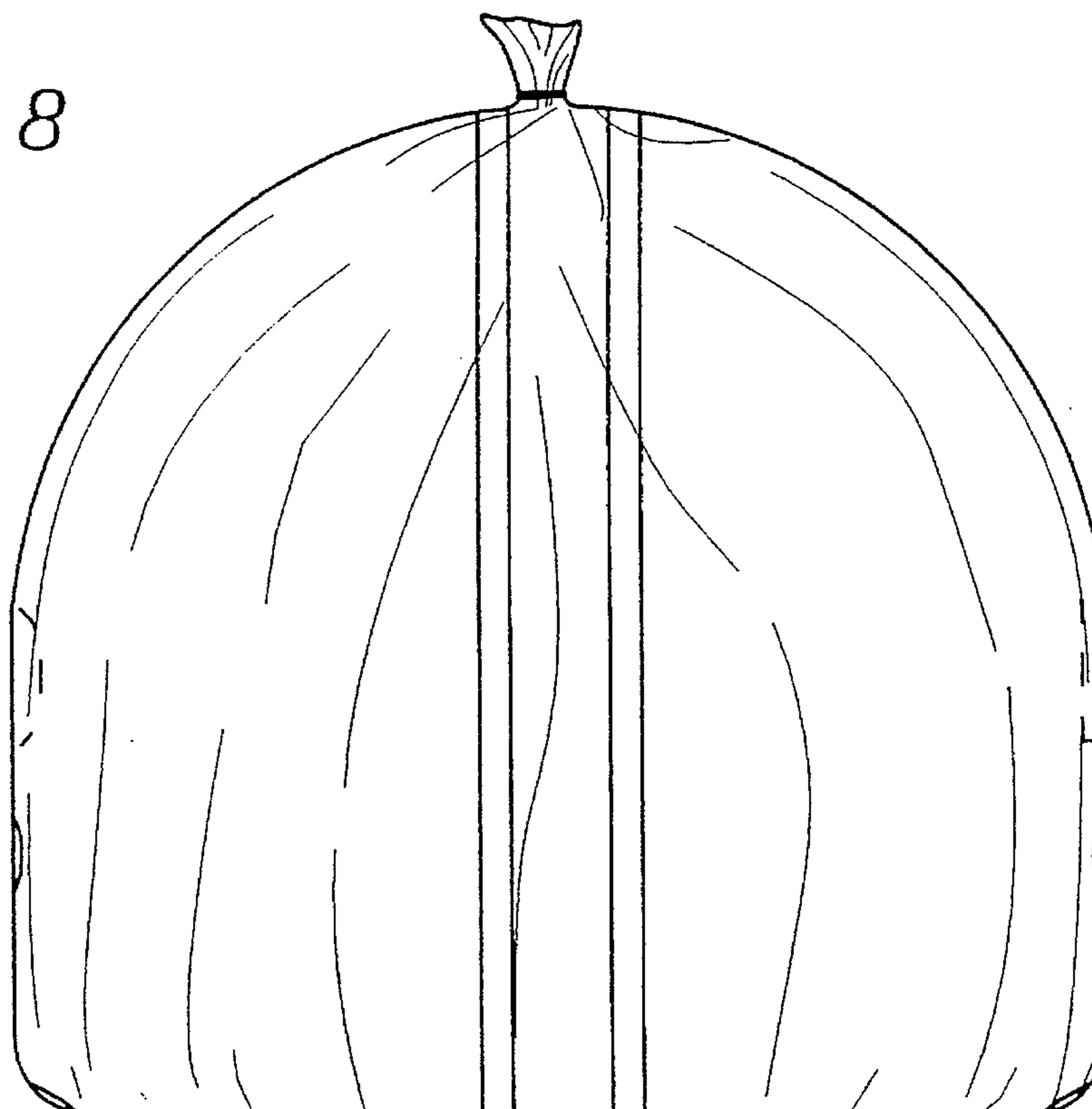


FIG. 9

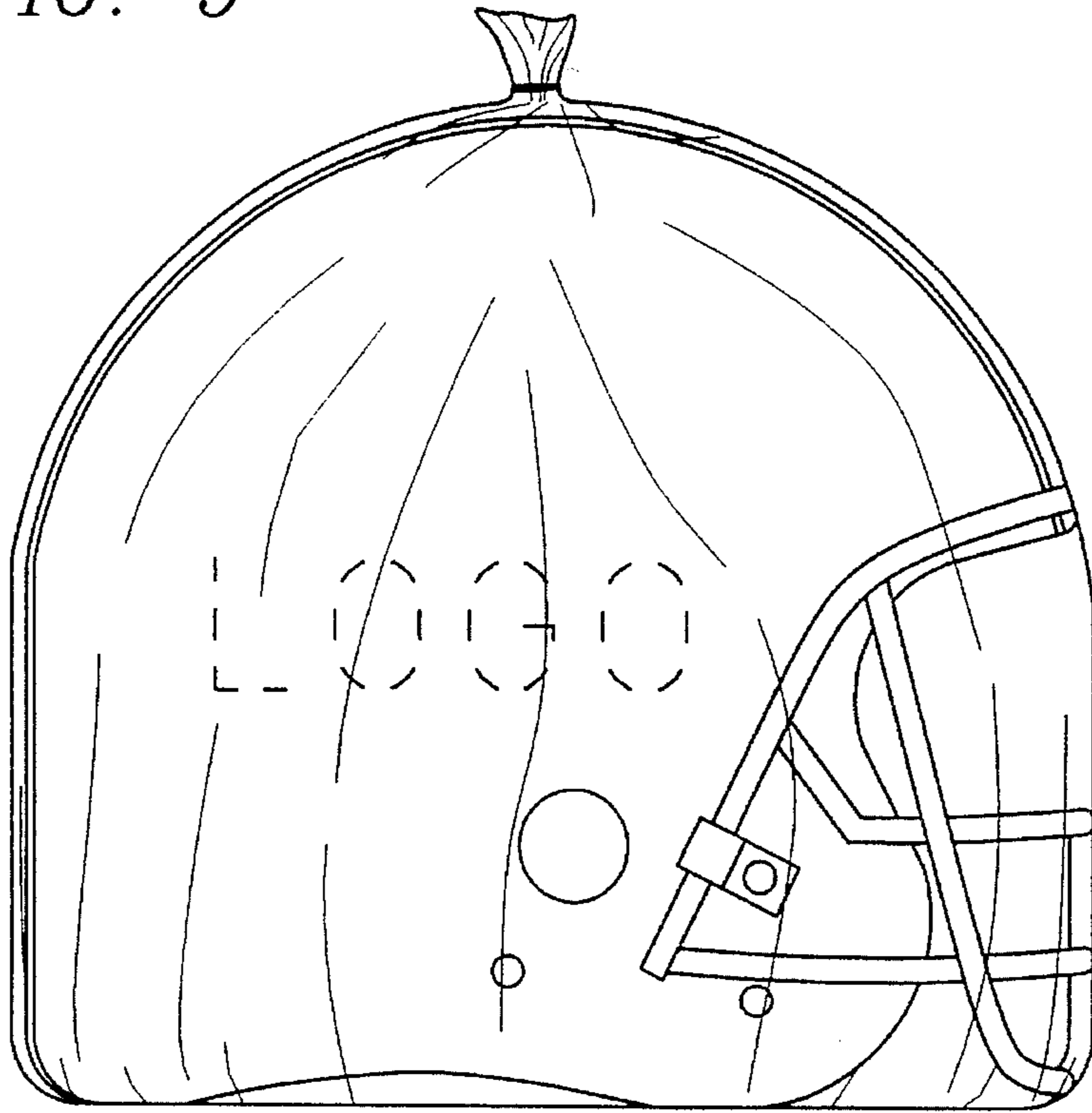


FIG. 10

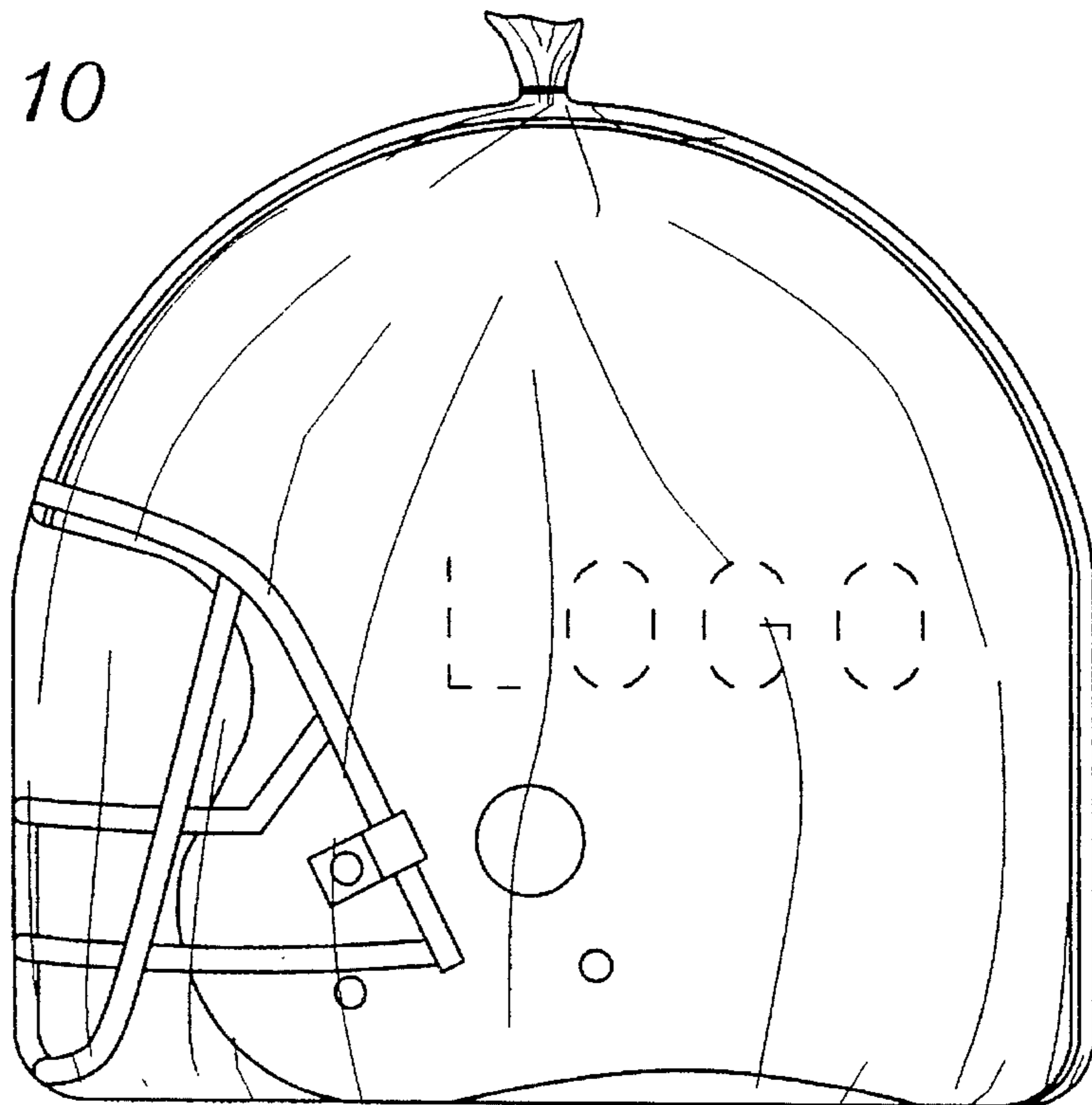


FIG. 11

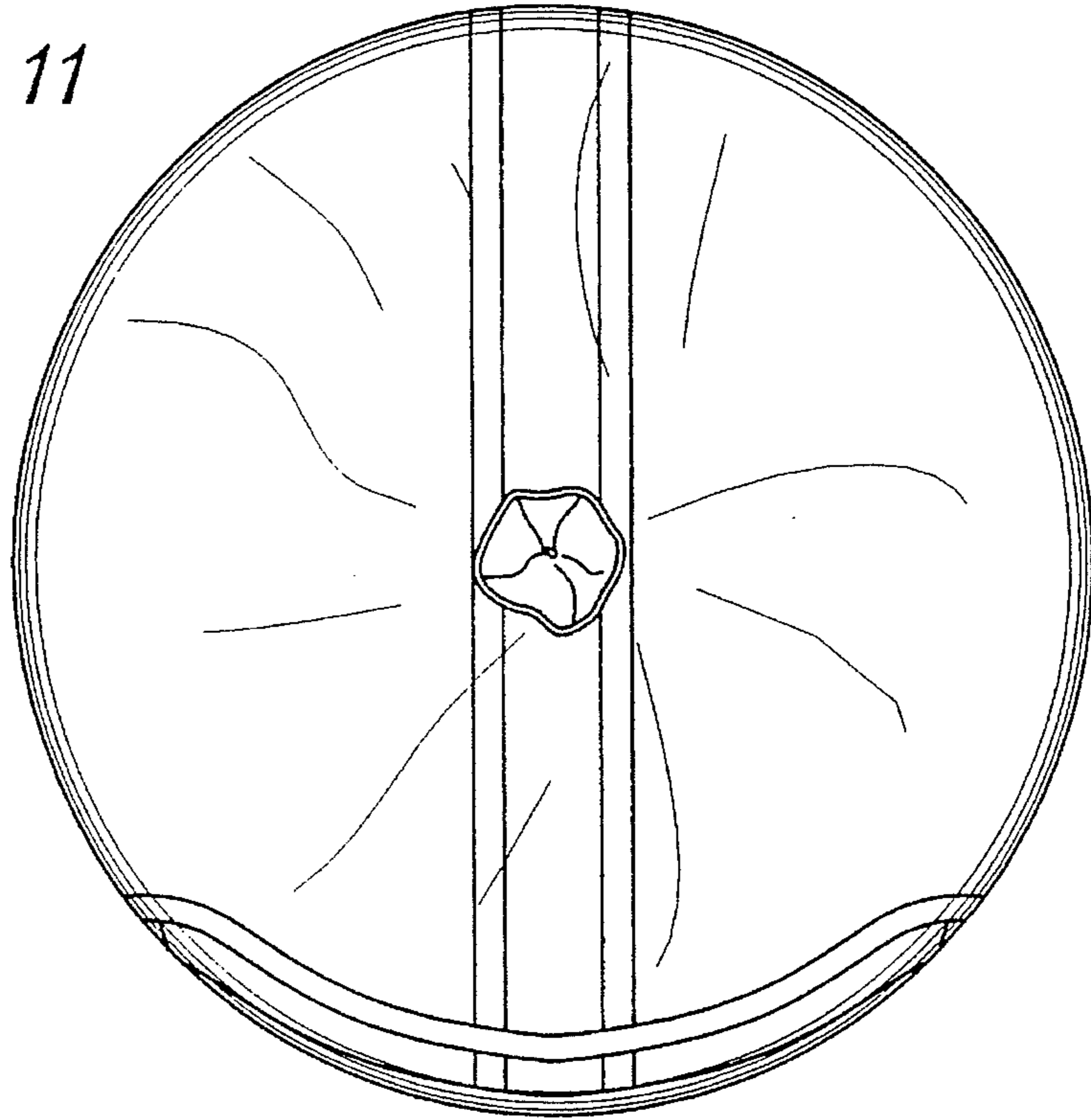


FIG. 12

