



US00D369535S

# United States Patent [19]

Holtzman et al.

[11] Patent Number: **Des. 369,535**

[45] Date of Patent: **\*\*May 7, 1996**

[54] **ADJUSTABLE GARAGE TOOL ORGANIZER**

[75] Inventors: **Alan Holtzman**, Pierrefonds; **Lise Milot**, Dollard-des-Ormeaux, both of Canada

[73] Assignee: **New-Quip Inc.**, St-Laurent, Canada

[\*\*] Term: **14 Years**

[21] Appl. No.: **28,403**

[22] Filed: **Sep. 14, 1994**

[52] U.S. Cl. .... **D8/71**

[58] Field of Search ..... D8/71, 366, 371, D8/373; D6/566-9; D18/56; 206/372; 211/69, 70.6, 169

[56] **References Cited**

**U.S. PATENT DOCUMENTS**

D. 203,727	2/1966	Treimann .....	D6/569
D. 237,357	10/1975	Ziaylek, Jr. ....	D8/373
D. 273,544	4/1984	Sheftel .....	D6/569
D. 309,252	7/1990	Crowley .....	D8/373
D. 319,778	9/1991	Ziaylek, Jr. ....	D8/373
D. 325,488	4/1992	Sheriff .....	D6/566
D. 330,724	11/1992	Gansky et al. ....	D18/56
D. 342,015	12/1993	Andrejew .....	D8/373
D. 353,535	12/1994	Gritman et al. ....	D8/373
2,102,515	12/1937	Connell .....	211/70.6
3,915,308	10/1975	Ratzloff et al. ....	211/70.6
4,286,717	9/1981	Liesinger .....	211/70.6
5,103,970	4/1992	Nielson et al. ....	206/372

*Primary Examiner*—Alan P. Douglas  
*Assistant Examiner*—Robert M. Spear  
*Attorney, Agent, or Firm*—Robic

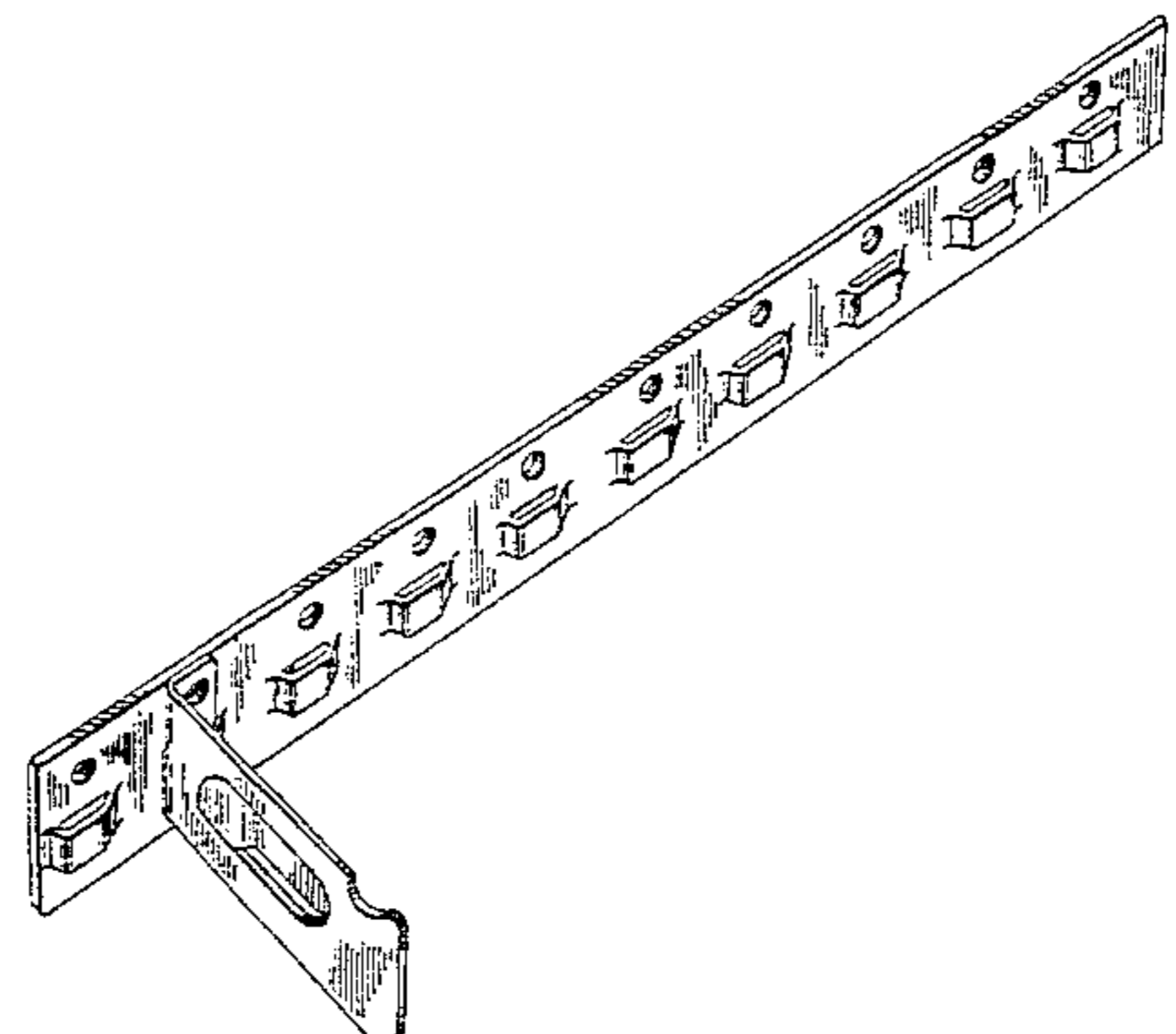
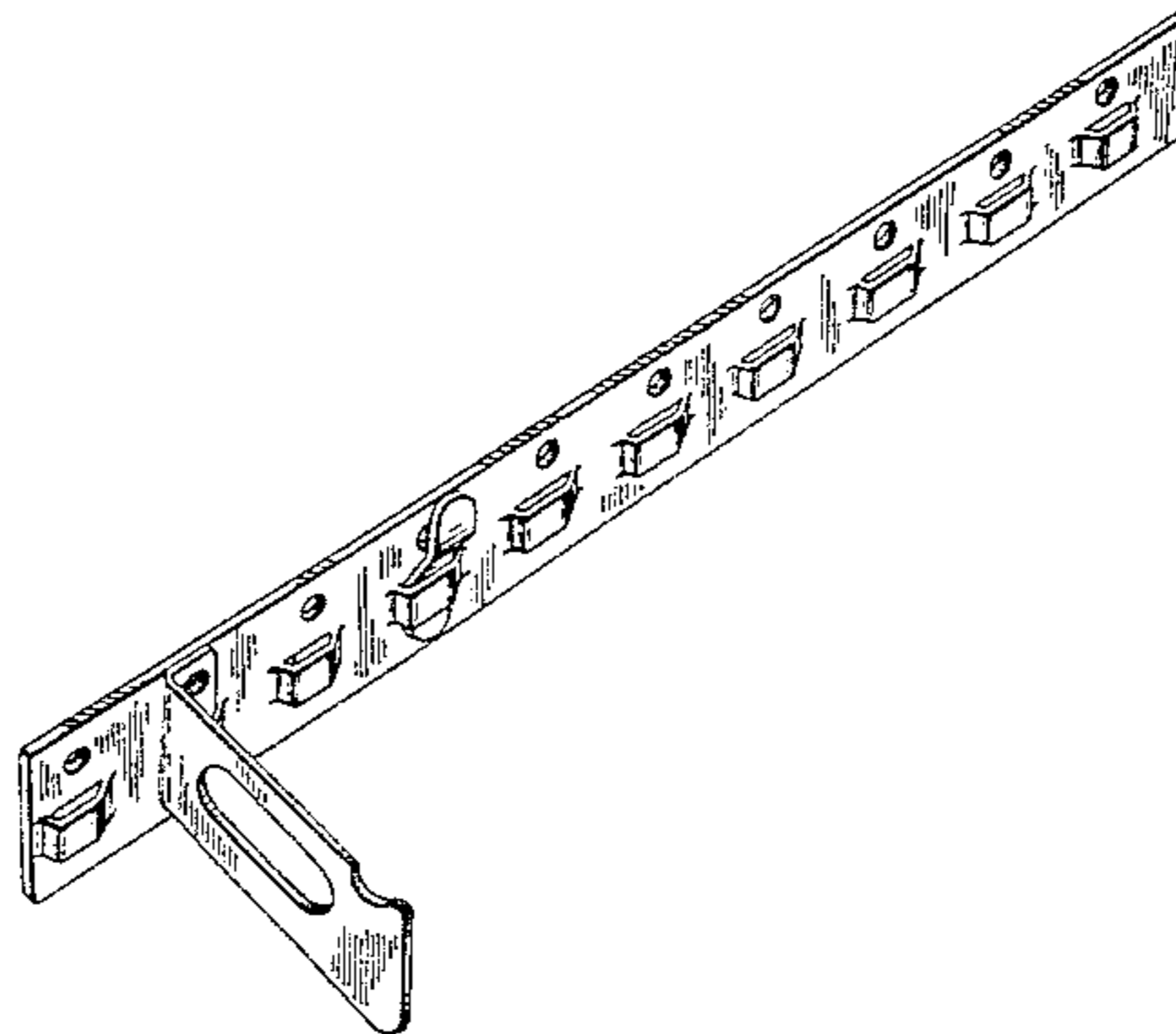
[57] **CLAIM**

The ornamental design for an “adjustable garage tool organizer” as shown and described.

**DESCRIPTION**

FIG. 1 is a front perspective view of an adjustable garage tool organizer showing our new design;  
 FIG. 2 is a front elevational view of the adjustable garage tool organizer shown in FIG. 1;  
 FIG. 3 is a rear elevational view of the adjustable garage tool organizer shown in FIG. 1;  
 FIG. 4 is a top view of the adjustable garage tool organizer shown in FIG. 1;  
 FIG. 5 is a bottom view of the adjustable garage tool organizer shown in FIG. 1;  
 FIG. 6 is a left side elevational view of the adjustable garage tool organizer shown in FIG. 1;  
 FIG. 7 is a right side elevational view of the adjustable garage tool organizer shown in FIG. 1;  
 FIG. 8 is a front perspective view of an adjustable garage tool organizer according to a first variant of our new design;  
 FIG. 9 is a front elevational view of the adjustable garage tool organizer according to the first variant;  
 FIG. 10 is a rear elevational view of the adjustable garage tool organizer according to the first variant;  
 FIG. 11 is a top view of the adjustable garage tool organizer according to the first variant;  
 FIG. 12 is a bottom view of the adjustable garage tool organizer according to the first variant;  
 FIG. 13 is a left side elevational view of the adjustable garage tool organizer according to the first variant; and,  
 FIG. 14 is a right side elevational view of the adjustable garage tool organizer showing the first variant.

**1 Claim, 8 Drawing Sheets**



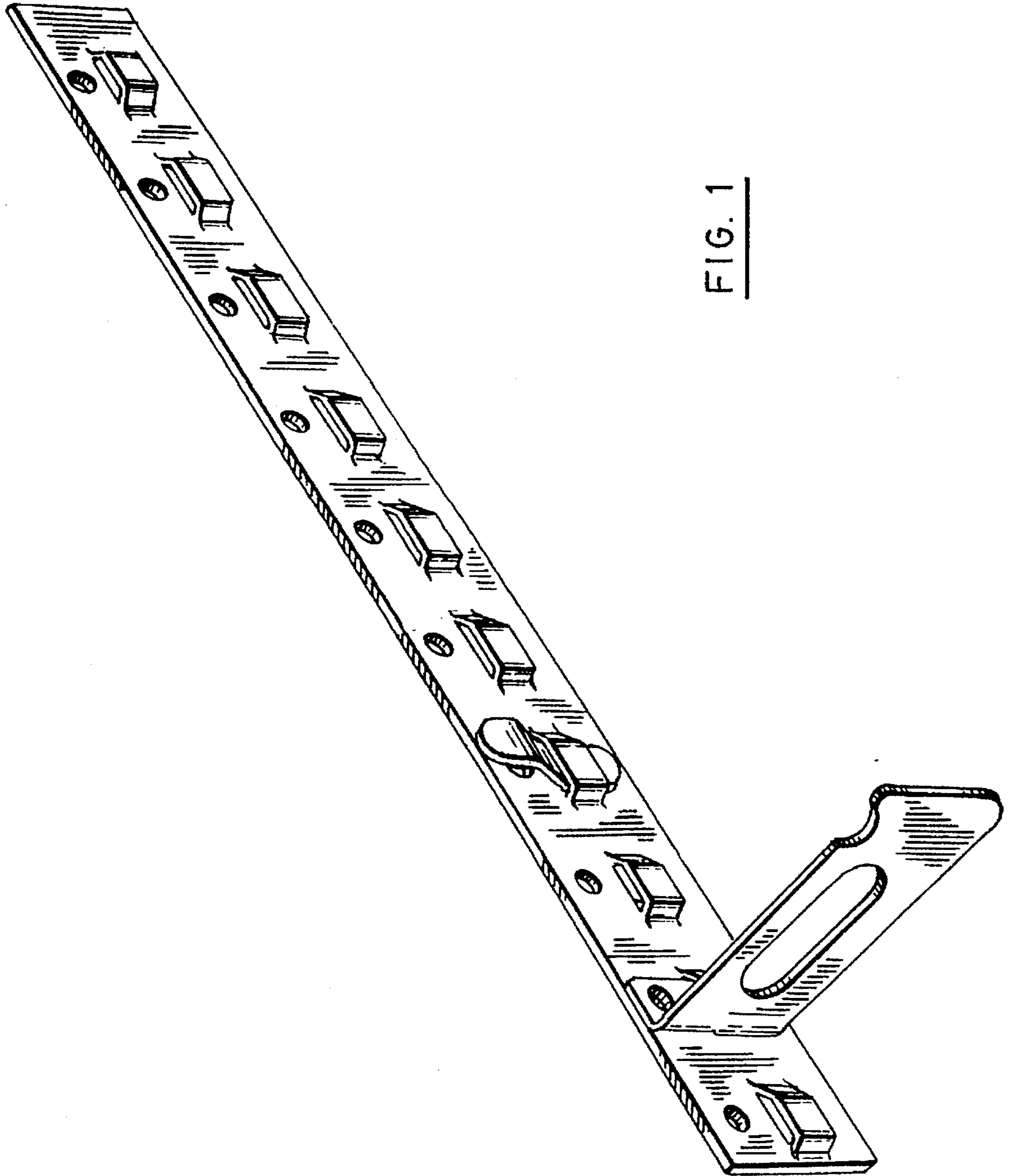


FIG. 1

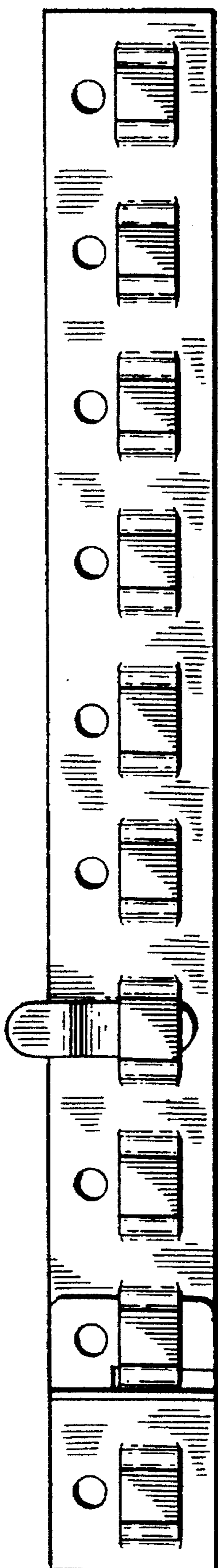


FIG. 2

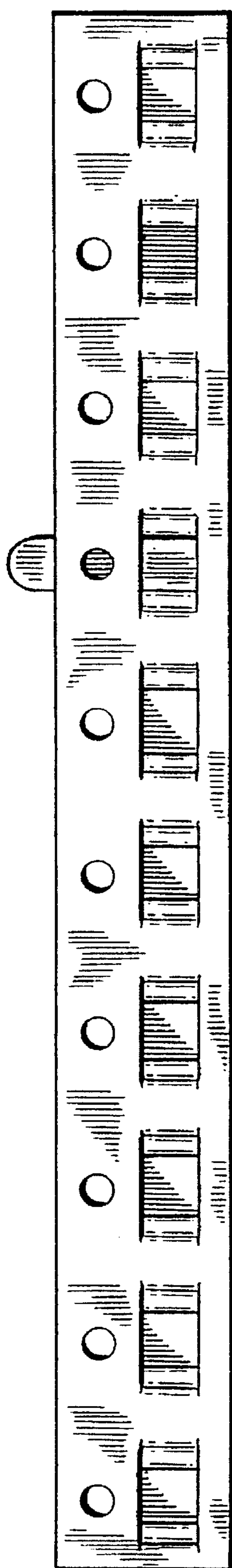


FIG. 3

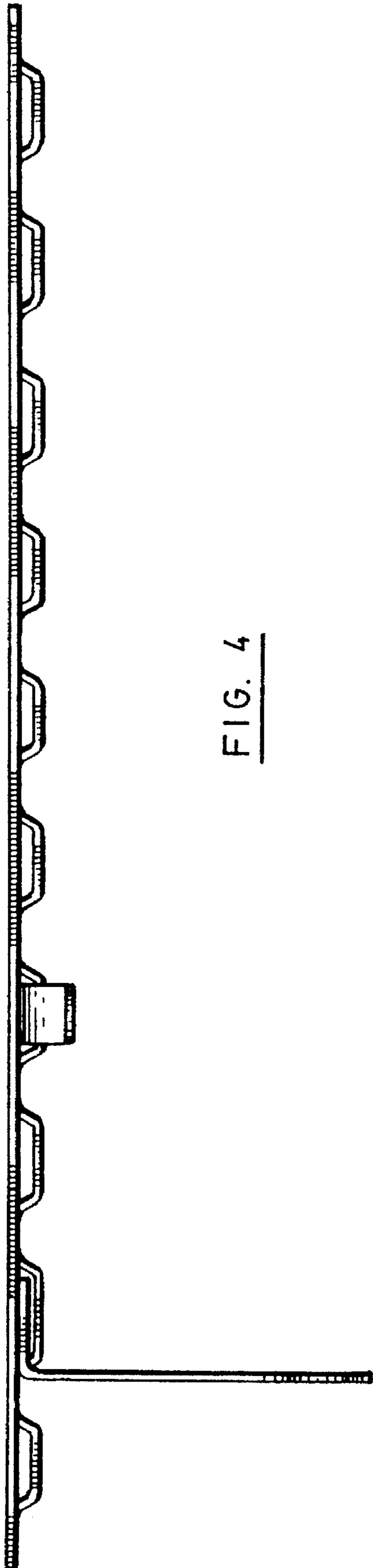


FIG. 4

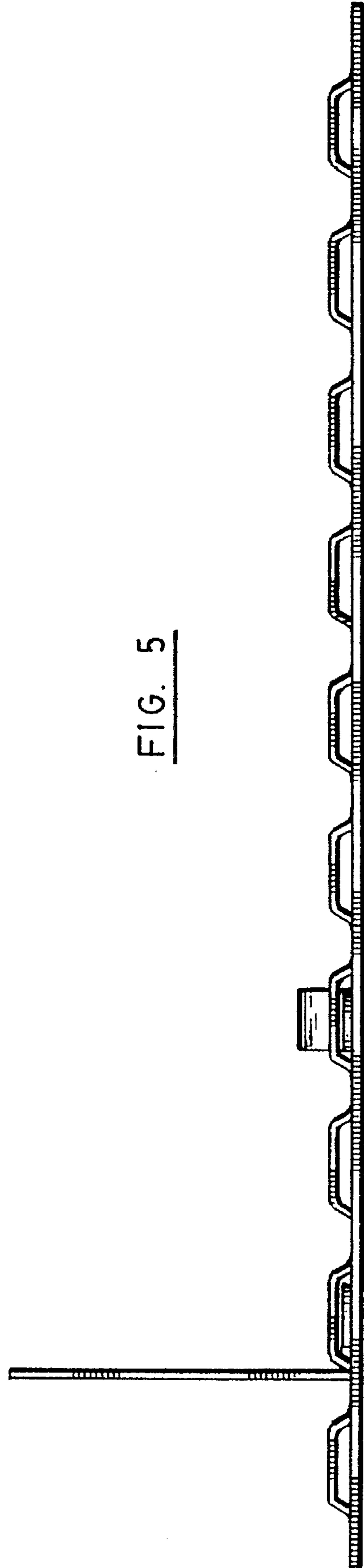


FIG. 5

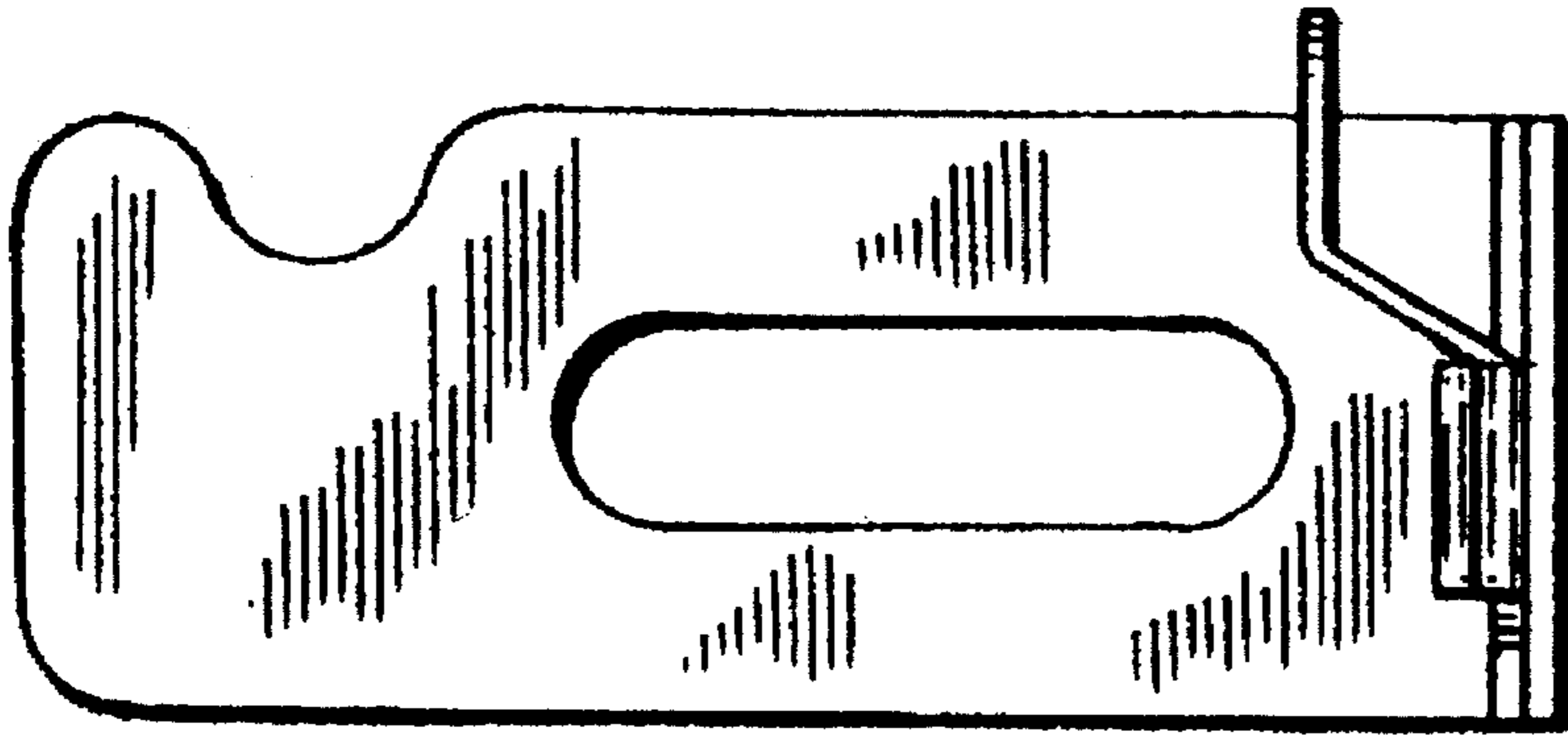


FIG. 6

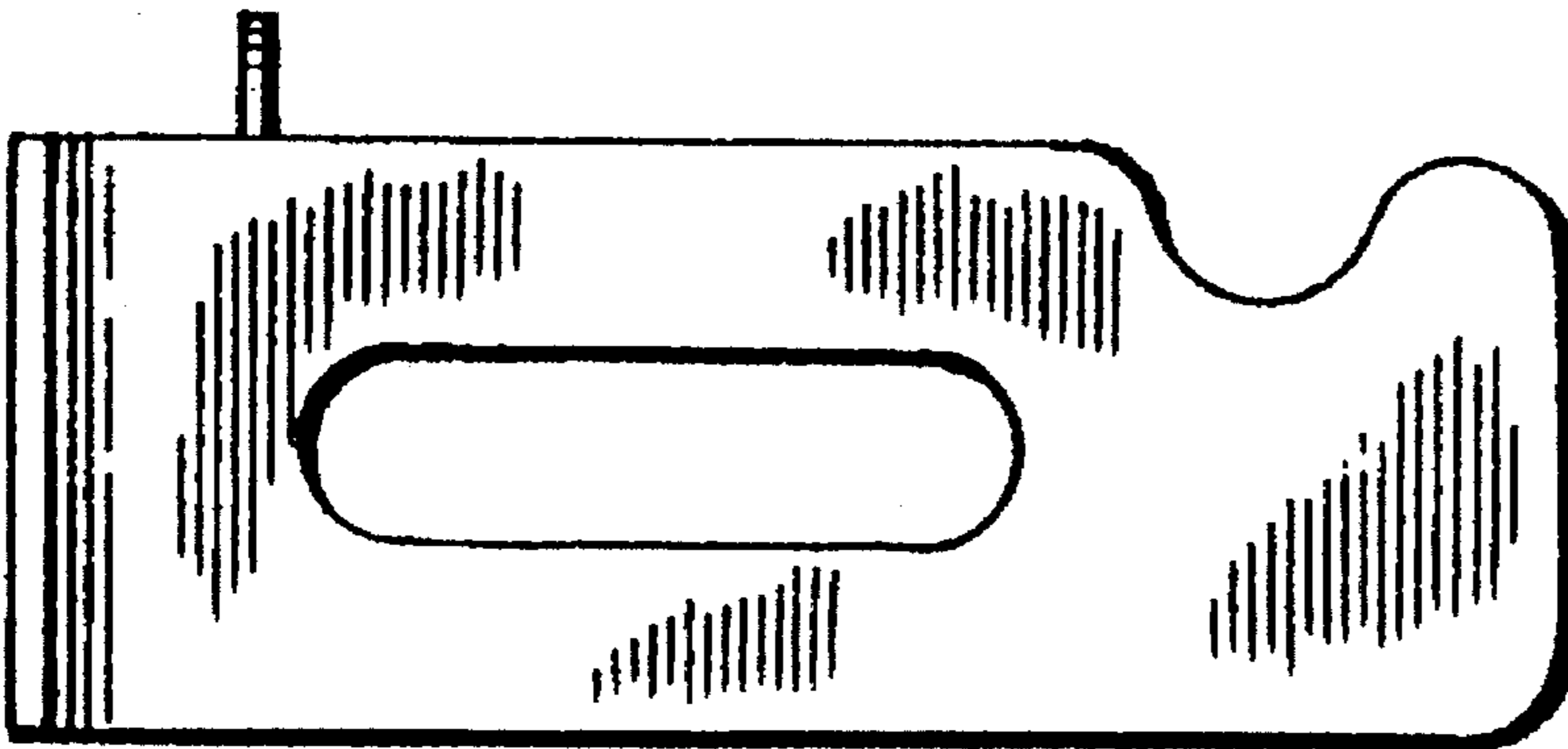


FIG. 7

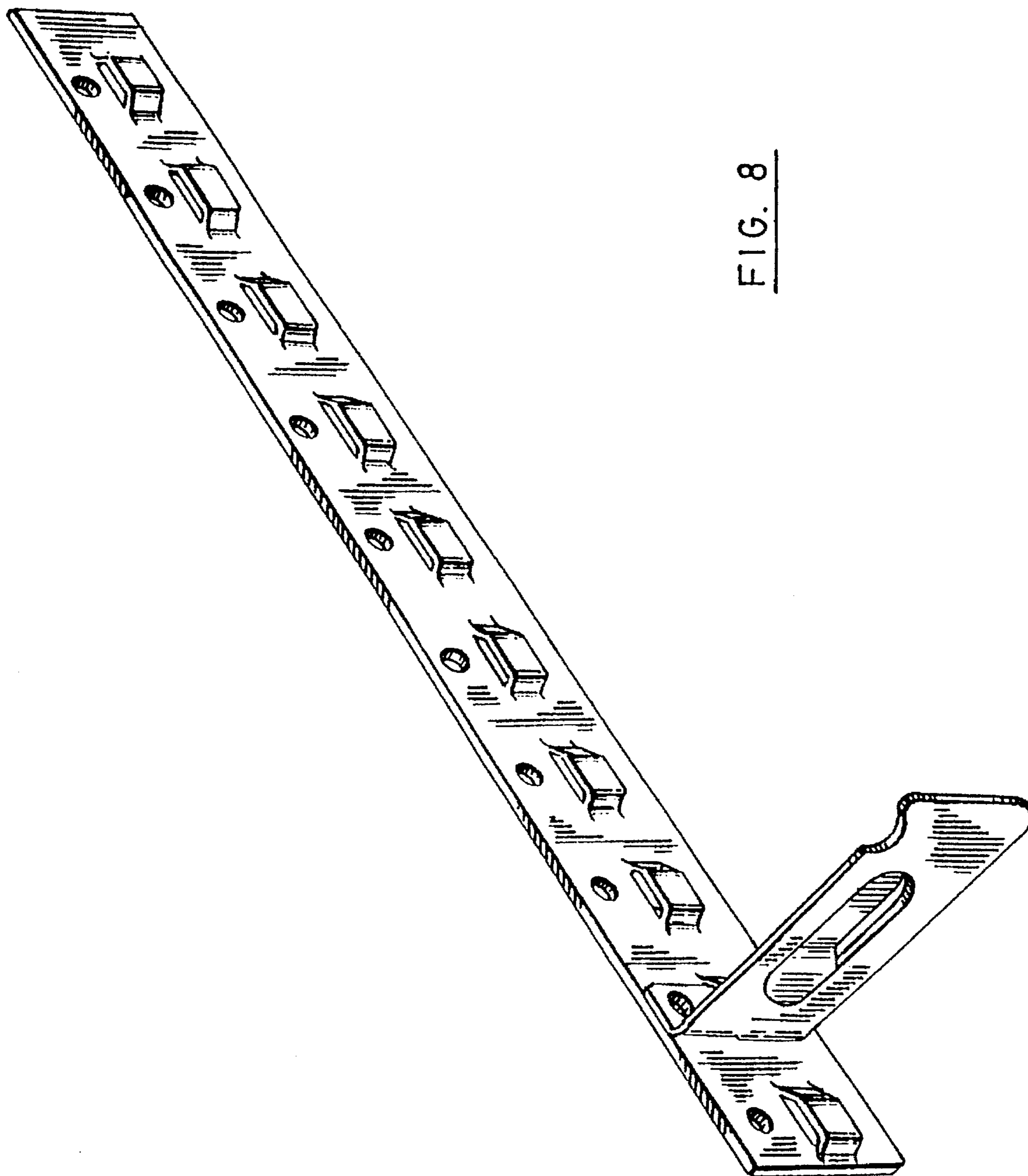


FIG. 8

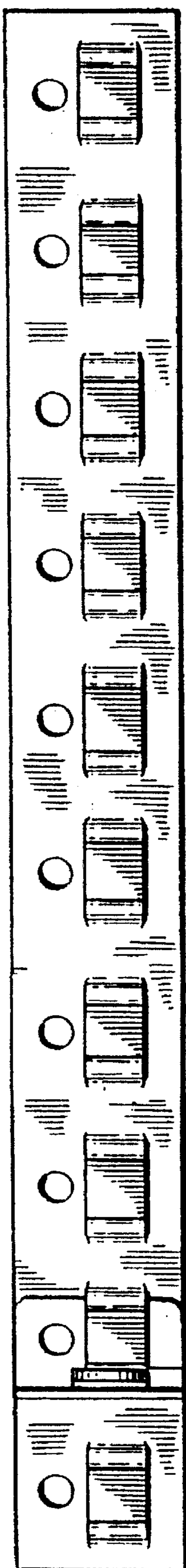


FIG. 9

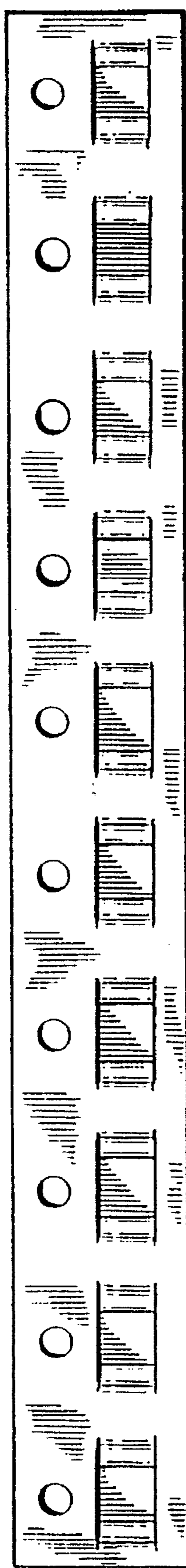


FIG. 10

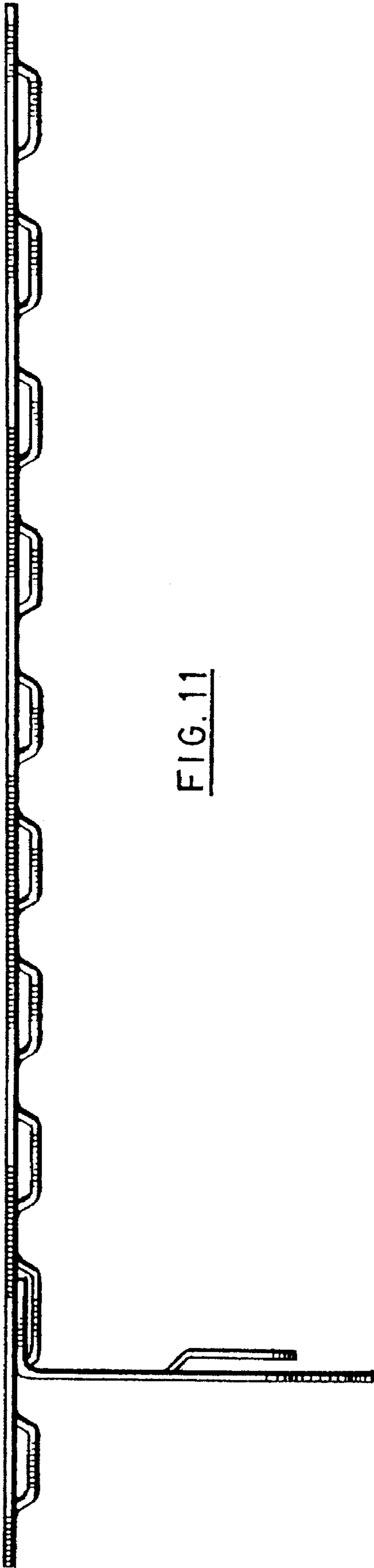


FIG. 11

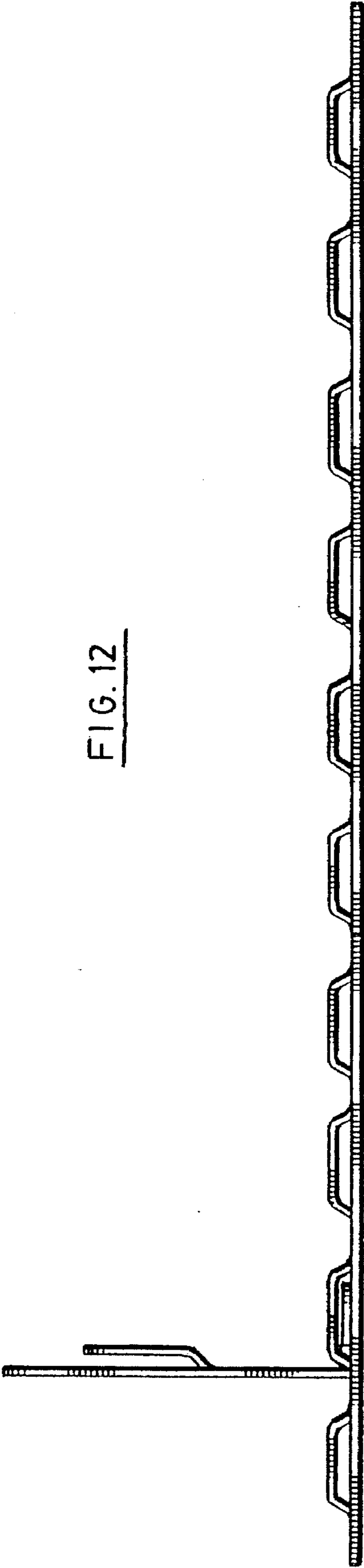


FIG. 12



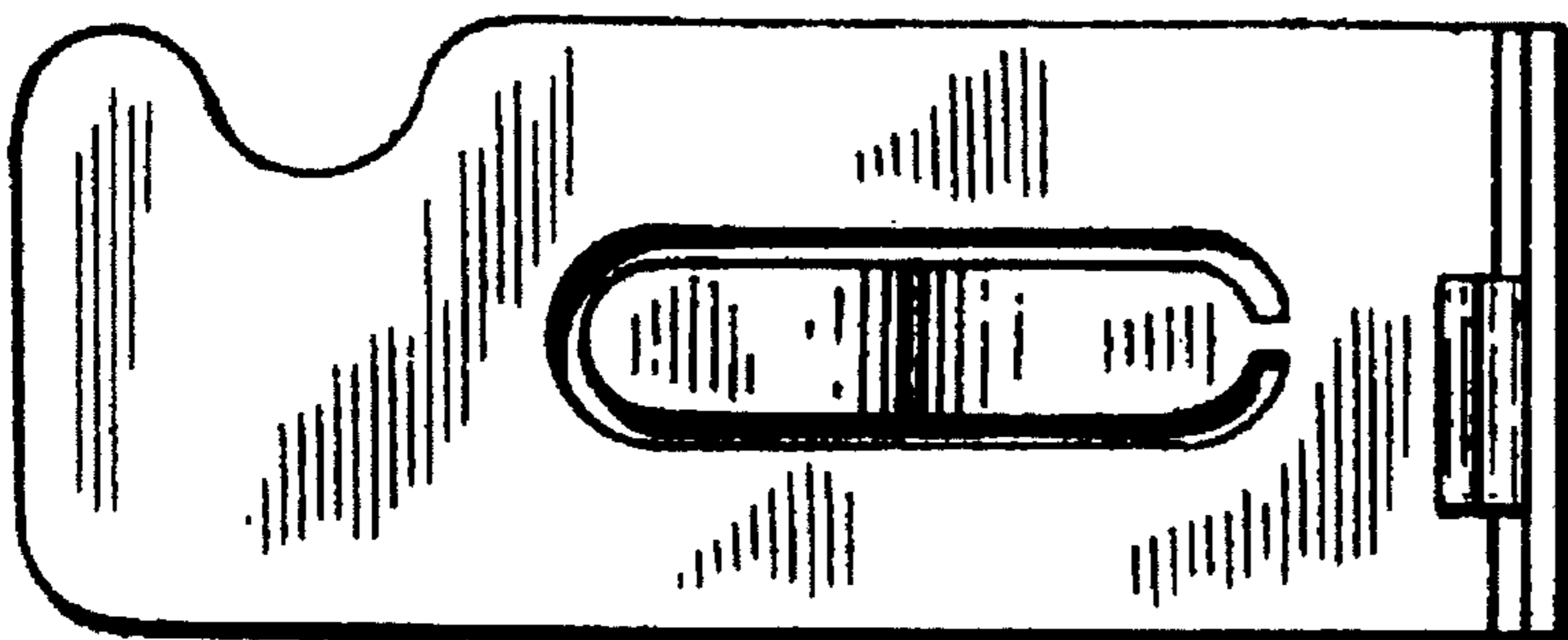


FIG. 13

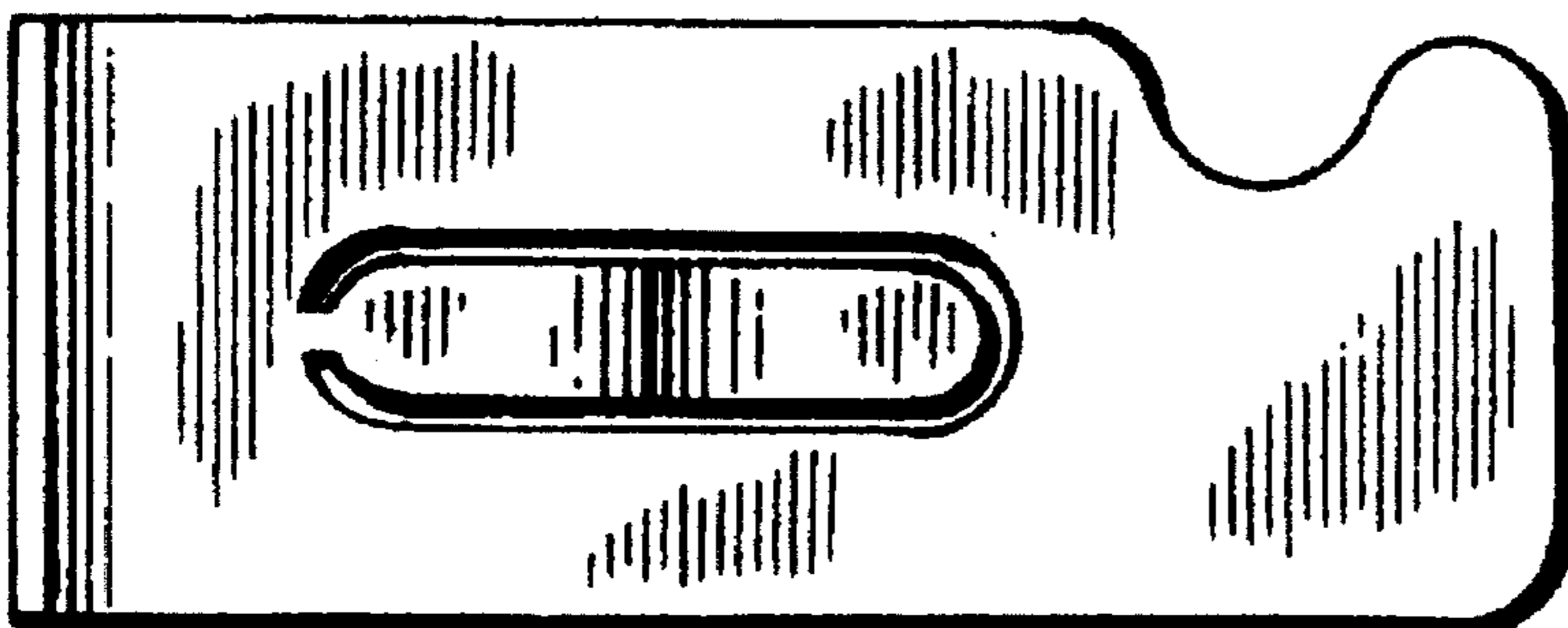


FIG. 14