



US00D369532S

# United States Patent [19] Scutt

[11] **Patent Number:** **Des. 369,532**  
[45] **Date of Patent:** **\*\*May 7, 1996**

[54] **JAR LID LIFTER**

[76] Inventor: **Paula Scutt**, 3214 Watt Road, Kelowna, B.C., Canada, V1W 3C8

[\*\*] Term: **14 Years**

[21] Appl. No.: **31,477**

[22] Filed: **Nov. 28, 1994**

[52] U.S. Cl. .... **D8/40**

[58] Field of Search ..... D8/16, 18, 19, D8/33-34, 40-43; 81/3.55, 3.57

[56] **References Cited**

**U.S. PATENT DOCUMENTS**

D. 197,409	1/1964	Kortick .....	D8/18
D. 303,071	8/1989	Ancona et al. ....	D8/33
2,195,253	3/1940	Meier et al. ....	D8/18
3,019,524	2/1962	Taves .....	30/416
3,305,924	2/1967	Caravella .....	30/450
4,213,215	7/1980	Hall .....	7/152

*Primary Examiner*—Ted Shooman  
*Assistant Examiner*—Adir Aronovich  
*Attorney, Agent, or Firm*—Robert W. Beach

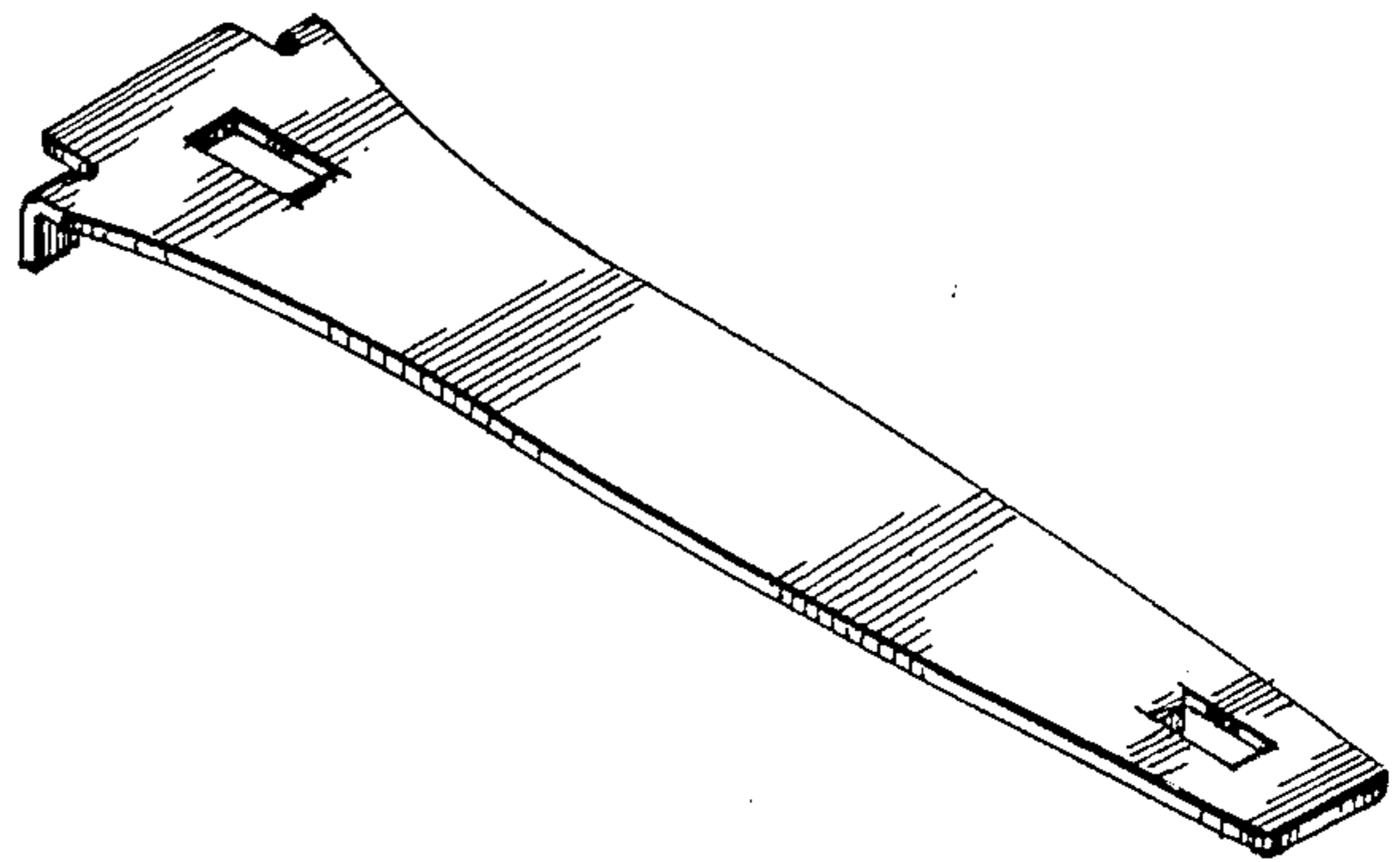
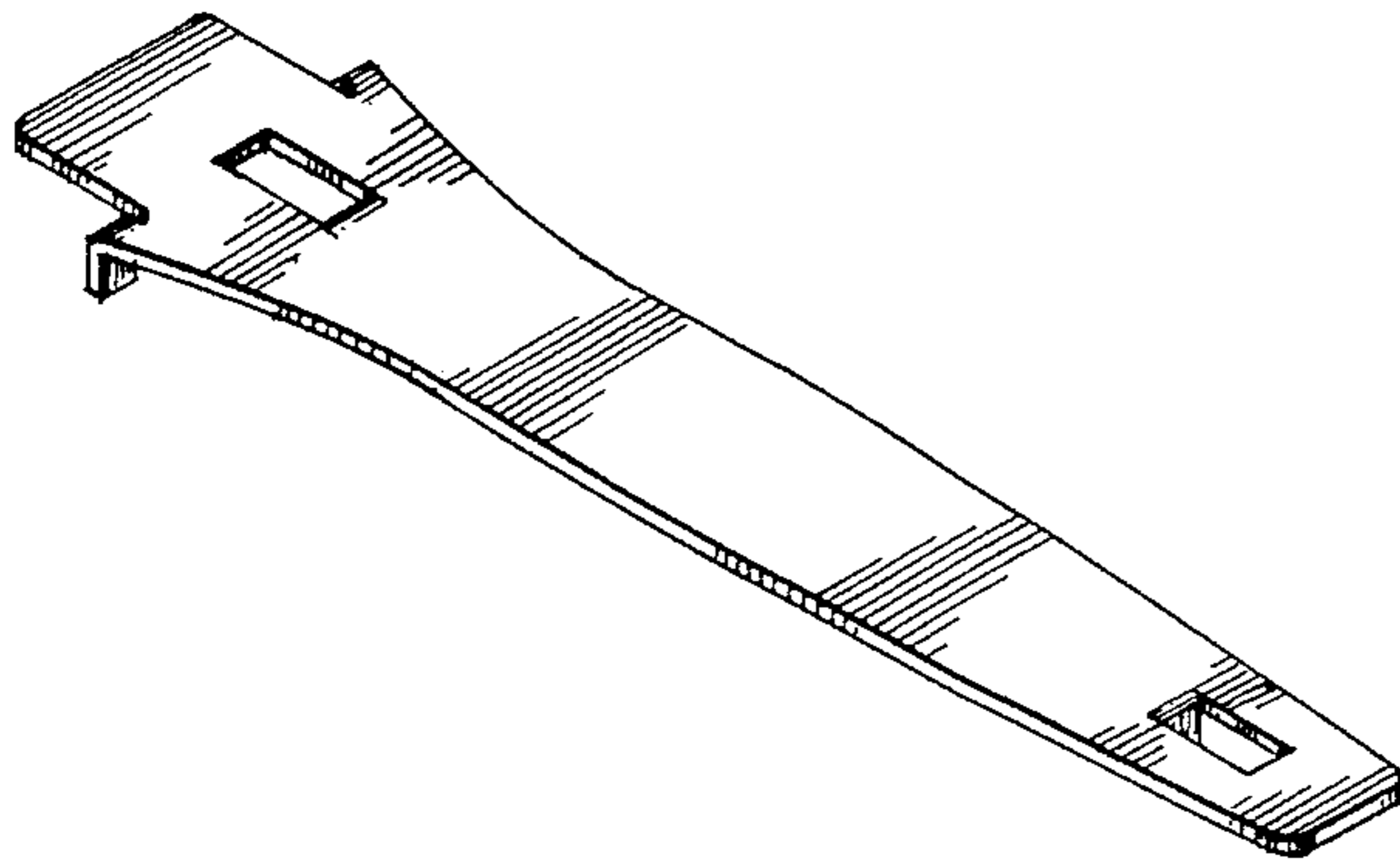
[57] **CLAIM**

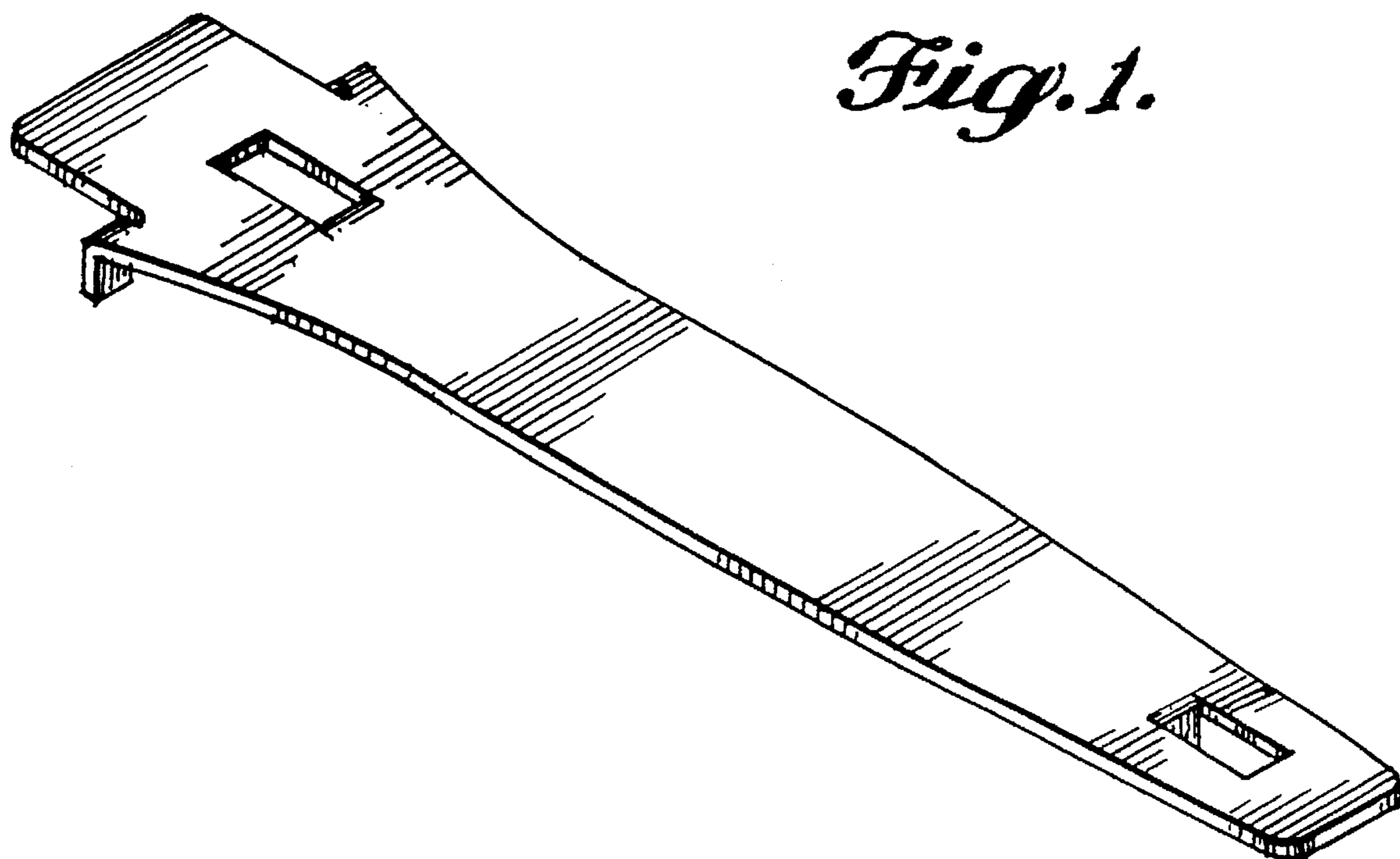
The ornamental design for a jar lid lifter, as shown and described.

**DESCRIPTION**

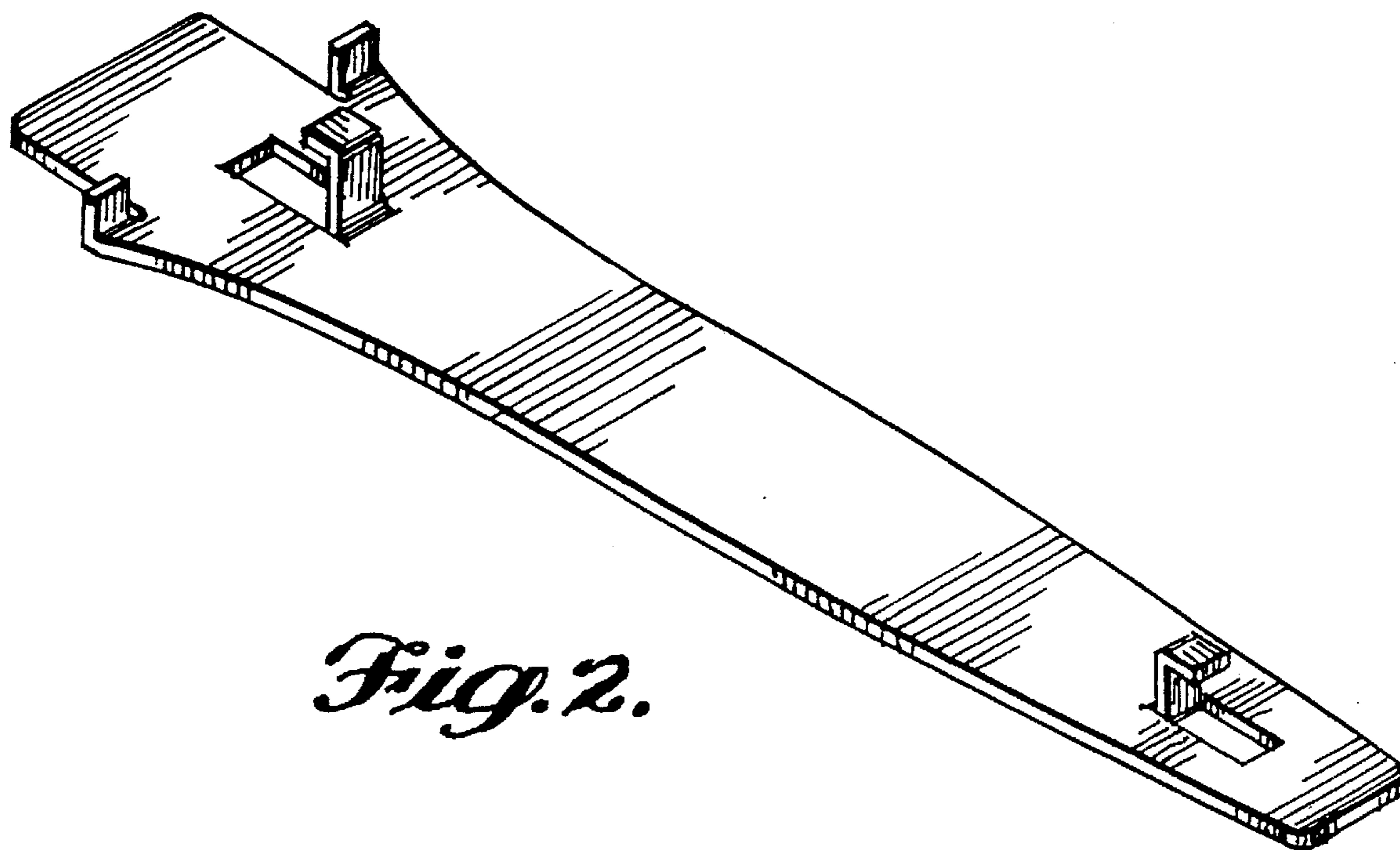
FIG. 1 is a top perspective view of a jar lid lifter showing my new design;  
FIG. 2 is a bottom perspective view thereof;  
FIG. 3 is a top plan view thereof;  
FIG. 4 is a side elevational view thereof;  
FIG. 5 is a bottom plan view thereof;  
FIG. 6 is an elevational view of one end thereof;  
FIG. 7 is an elevational view of the other end thereof;  
FIG. 8 is a top perspective view of a jar lid lifter showing a second embodiment of my new design;  
FIG. 9 is a bottom perspective view of the design of FIG. 8;  
FIG. 10 is a top plan view of the design of FIG. 8;  
FIG. 11 is a side elevational view of the design of FIG. 8;  
FIG. 12 is a bottom plan view of the design of FIG. 8;  
FIG. 13 is an elevational view of one end of the design of FIG. 8; and,  
FIG. 14 is an elevational view of the other end of the design of FIG. 8.

**1 Claim, 4 Drawing Sheets**

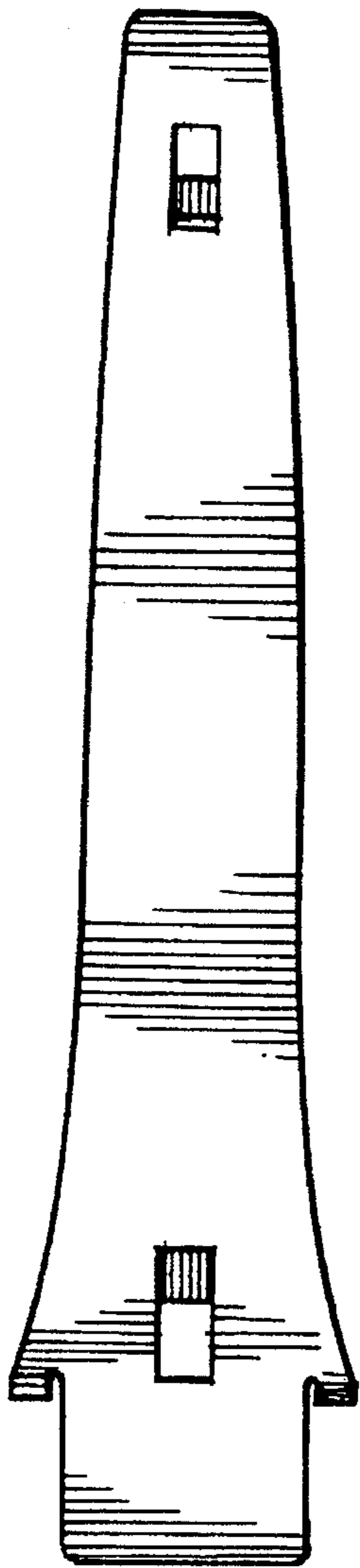




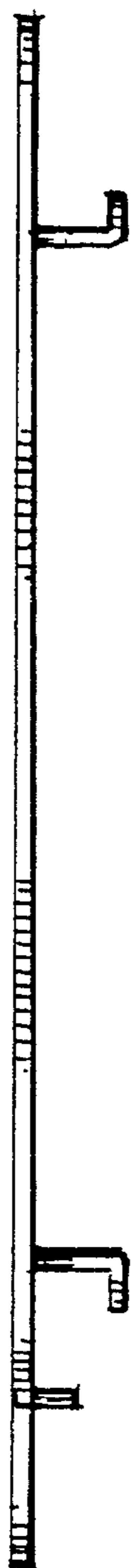
*Fig. 1.*



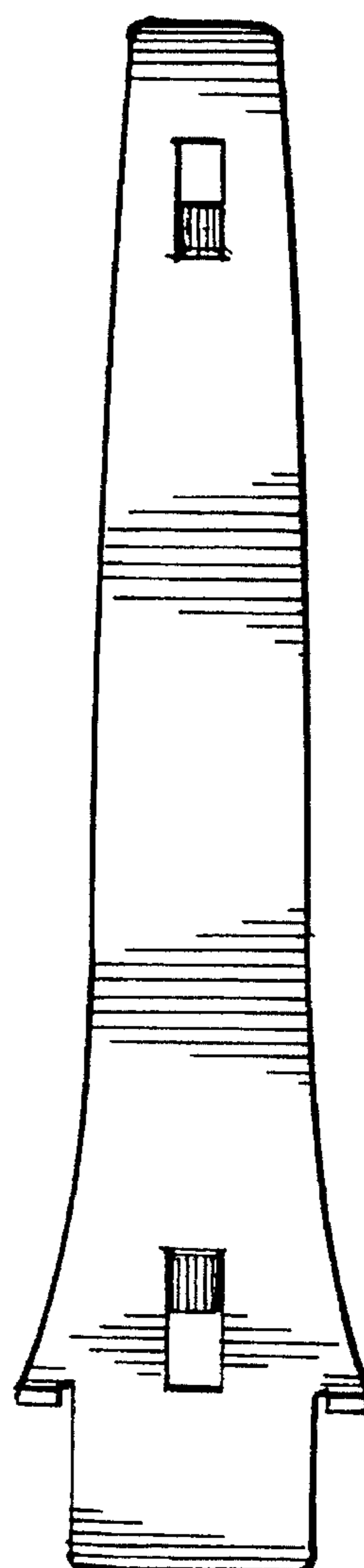
*Fig. 2.*



*Fig. 3.*



*Fig. 4.*



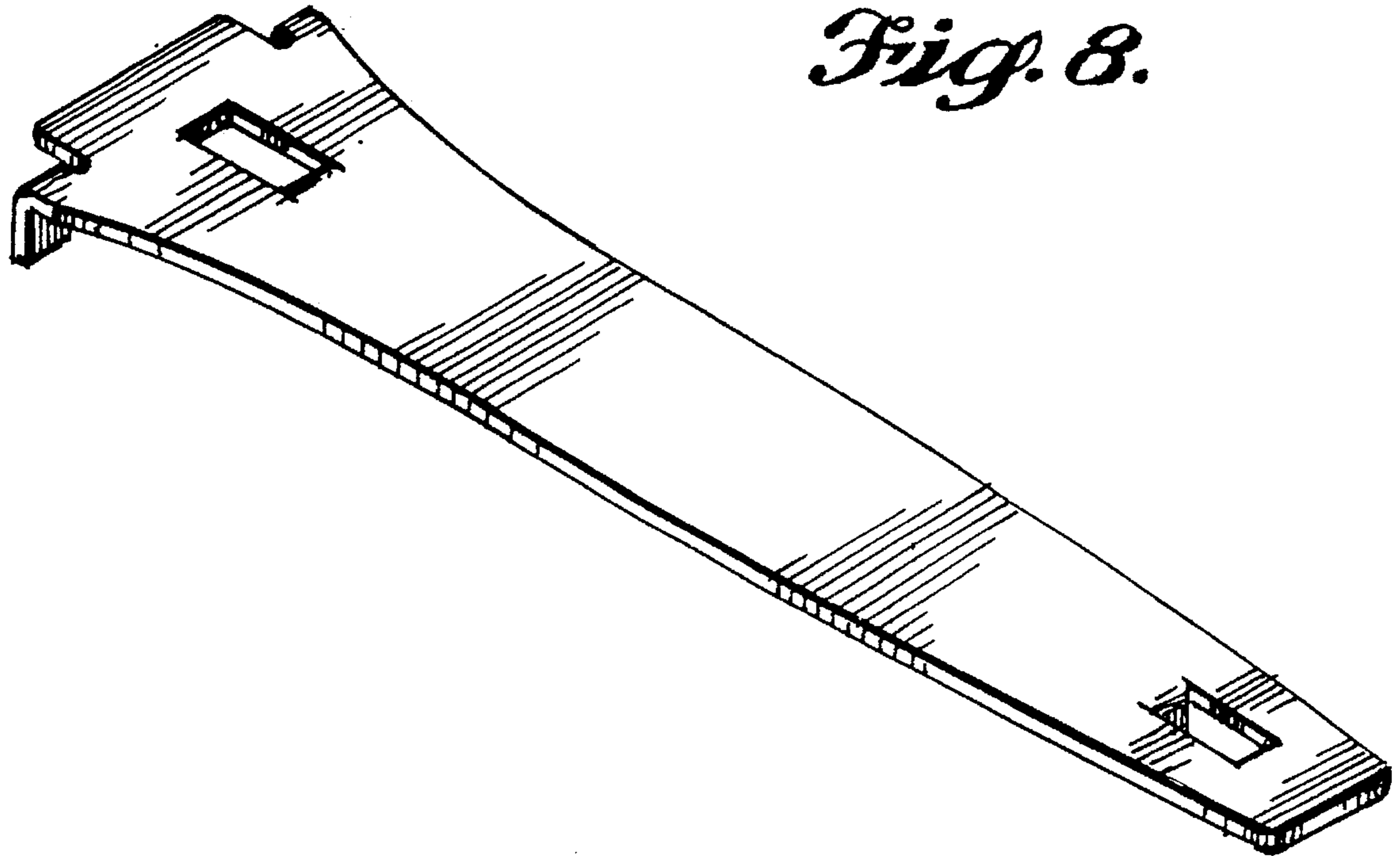
*Fig. 5.*



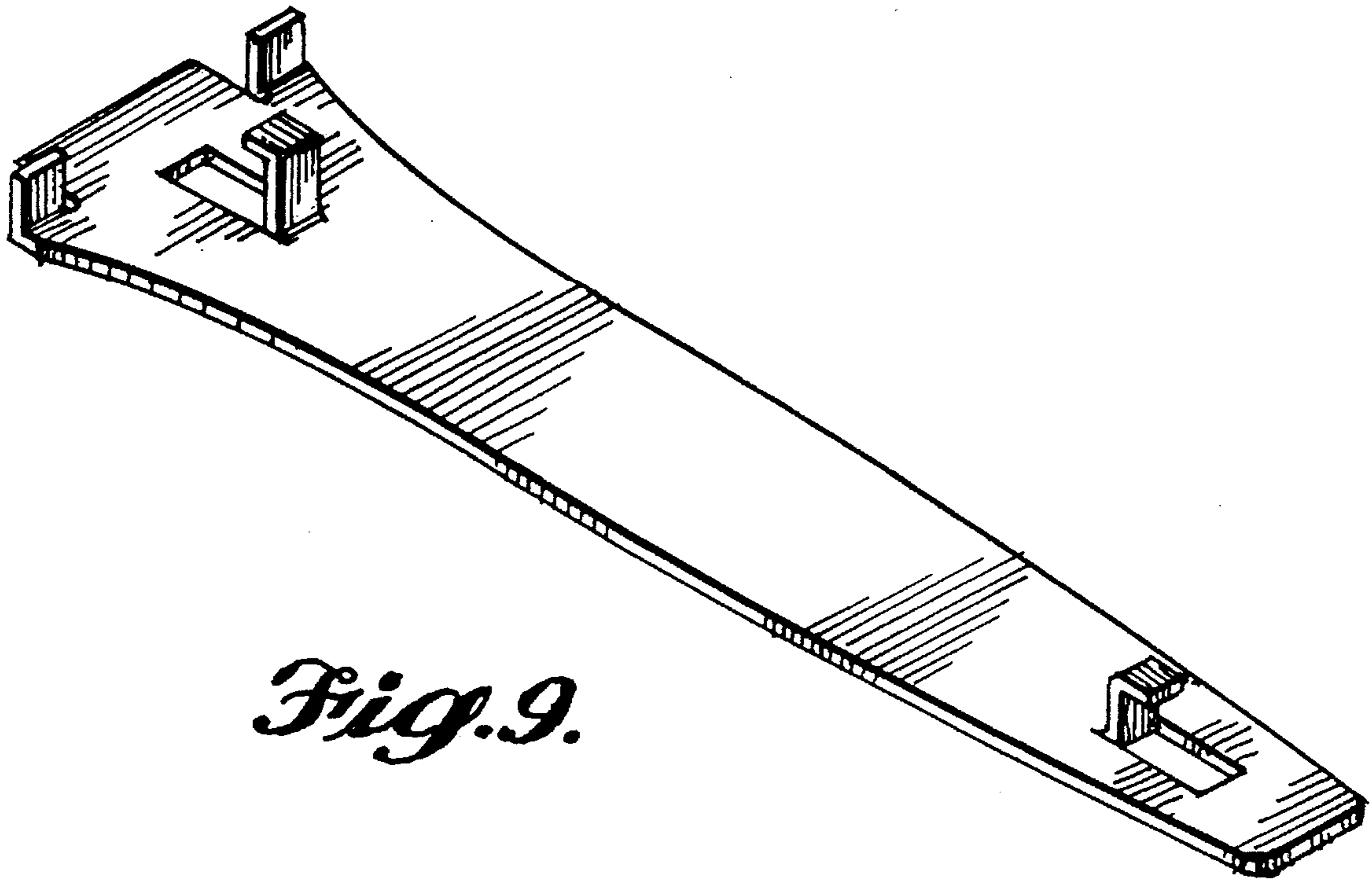
*Fig. 6.*



*Fig. 7.*

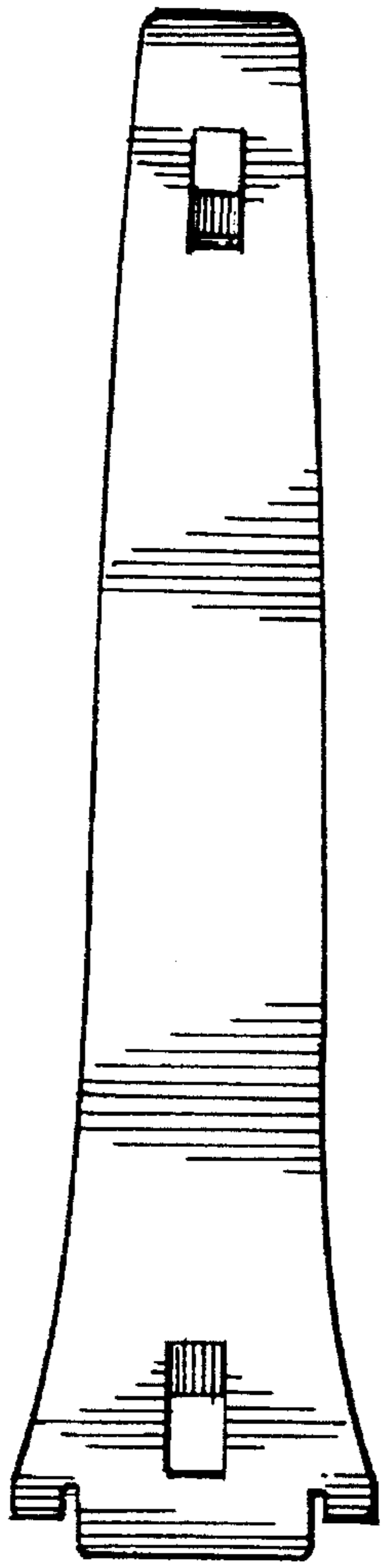


*Fig. 8.*

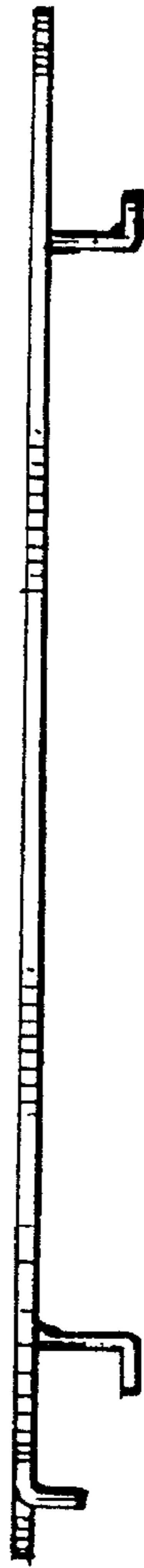


*Fig. 9.*

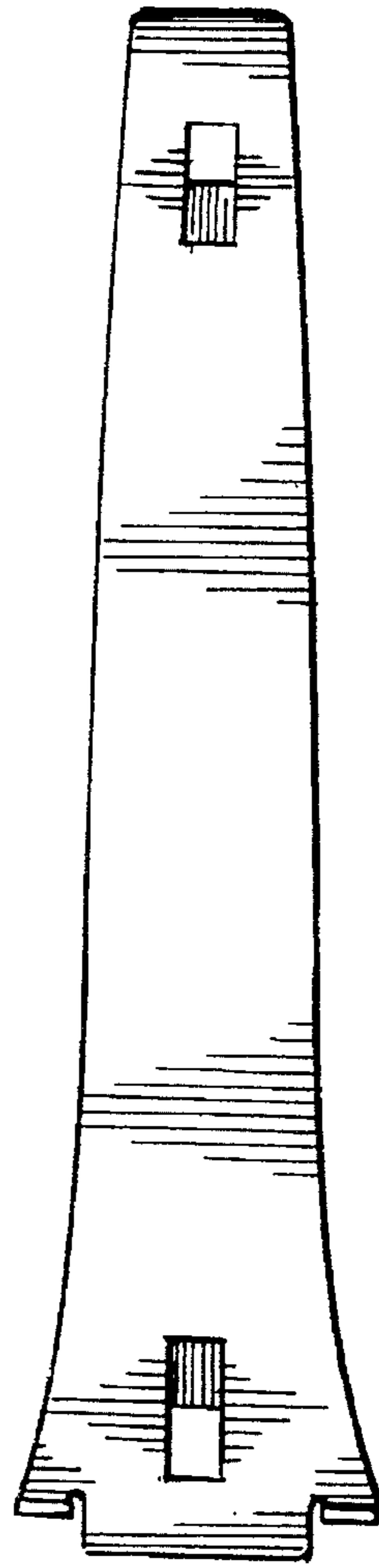




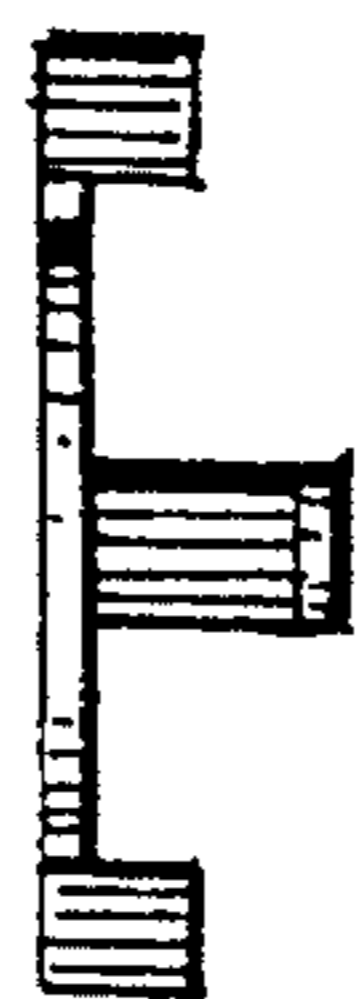
*Fig. 10.*



*Fig. 11.*



*Fig. 12.*



*Fig. 13.*



*Fig. 14.*