



US00D369531S

United States Patent [19]
Birkholz

[11] **Patent Number:** **Des. 369,531**
[45] **Date of Patent:** ****May 7, 1996**

[54] **TOOL HANDLE**
[75] Inventor: **Douglas J. Birkholz**, Deforest, Wis.
[73] Assignee: **Fiskars Oy Ab**, Helsinki, Finland
[**] Term: **14 Years**
[21] Appl. No.: **43,017**
[22] Filed: **Aug. 23, 1995**

D. 309,409 7/1990 Kiernan D8/107 X
D. 323,769 2/1992 Ishida et al. D8/5
D. 354,890 1/1995 Concari et al. D8/5
D. 361,700 8/1995 Birkholz D8/5

Primary Examiner—Holly H. Baynham
Attorney, Agent, or Firm—Foley & Lardner

[57] **CLAIM**

The ornamental design for tool handle, as shown and described.

Related U.S. Application Data

[62] Division of Ser. No. 25,409, Jun. 30, 1994, Pat. No. Des. 361,700.
[52] **U.S. Cl.** **D8/5**
[58] **Field of Search** D8/4, 5, 107; 16/110 R, 16/110 S, 340-344; 30/357, 261-262, 254; 81/489

DESCRIPTION

FIG. 1 is a perspective view of the tool handle showing my new design;
FIG. 2 is a front elevational view with the rear view being a mirror image thereof;
FIG. 3 is a top plan view thereof;
FIG. 4 is a bottom plan view thereof;
FIG. 5 is a left side elevational view thereof; and,
FIG. 6 is a right side elevational view thereof.
The broken line illustration in the drawing disclosure is for illustrative purposes only and forms no part of the claimed design.

[56] **References Cited**

U.S. PATENT DOCUMENTS

D. 299,108 12/1988 Brdnik D8/107
D. 299,410 1/1989 Baroni D8/52
D. 305,090 12/1989 Collins et al. D8/107 X

1 Claim, 2 Drawing Sheets

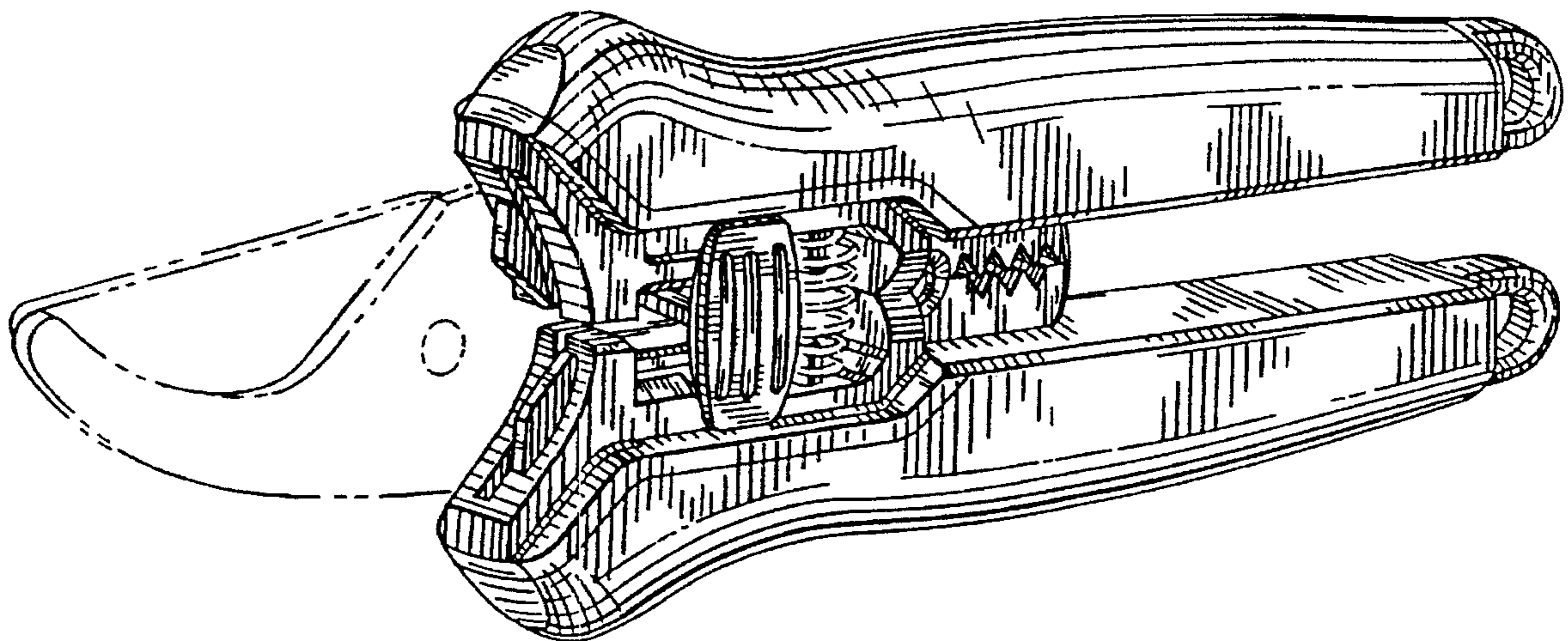


FIG. 1.

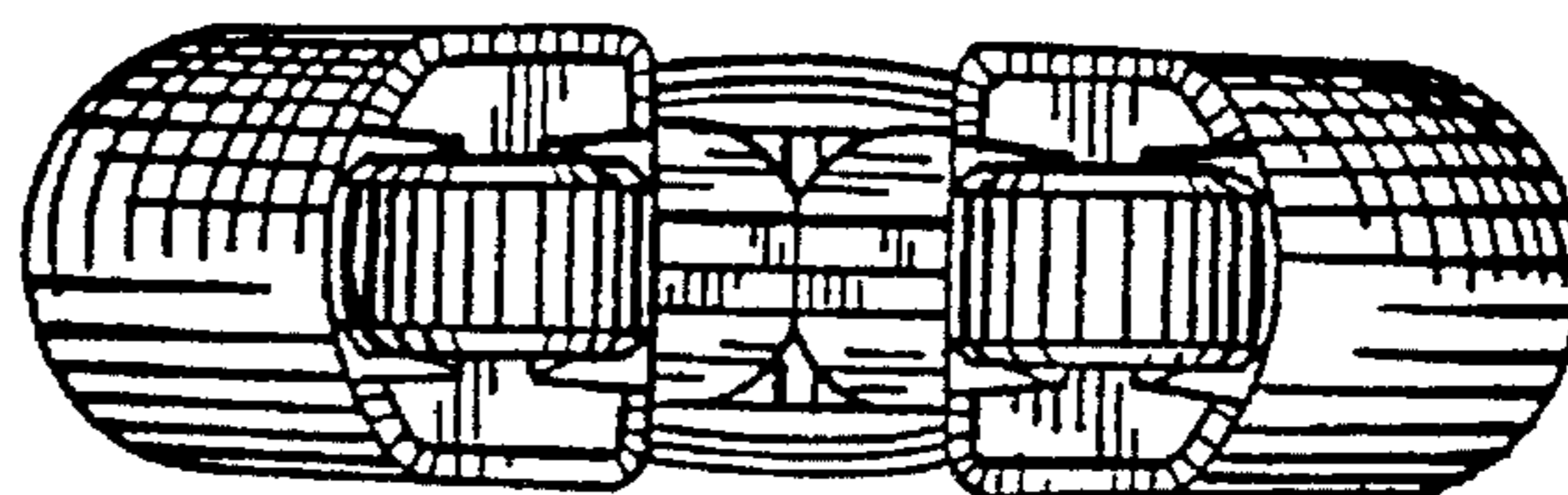
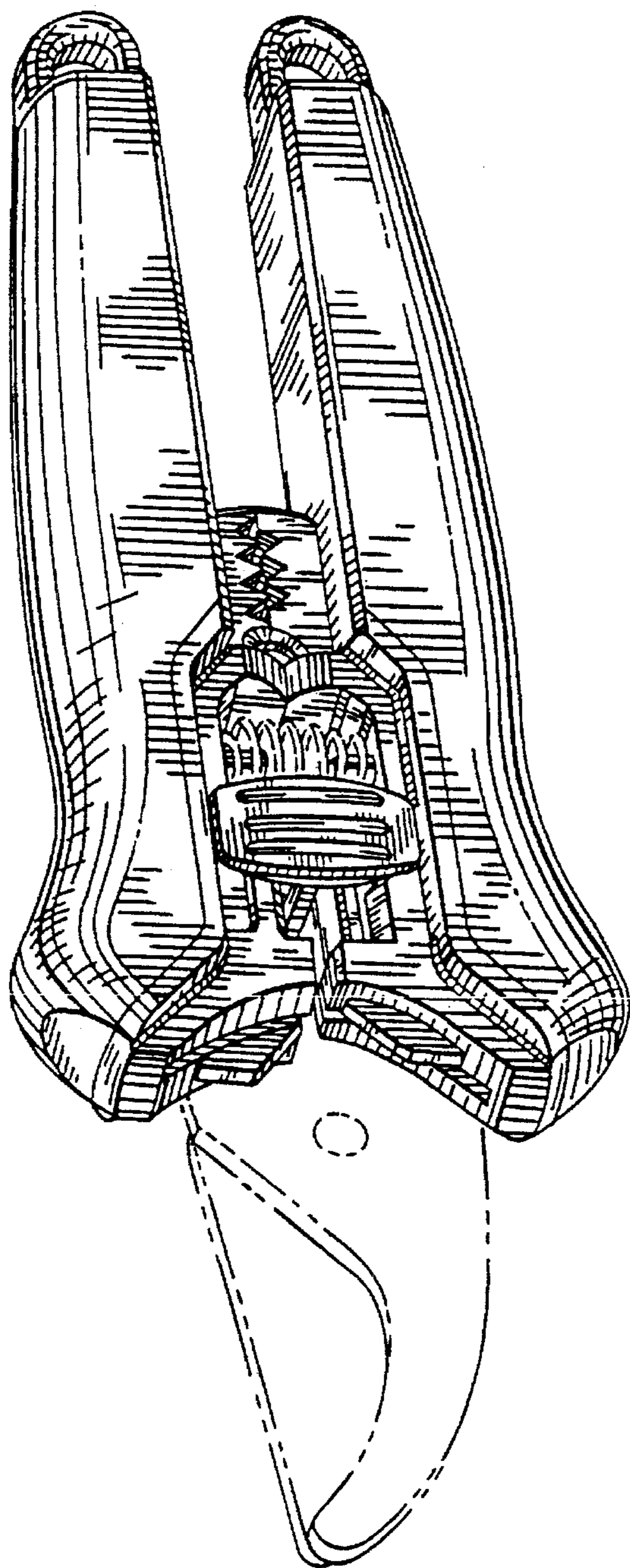


FIG. 6.

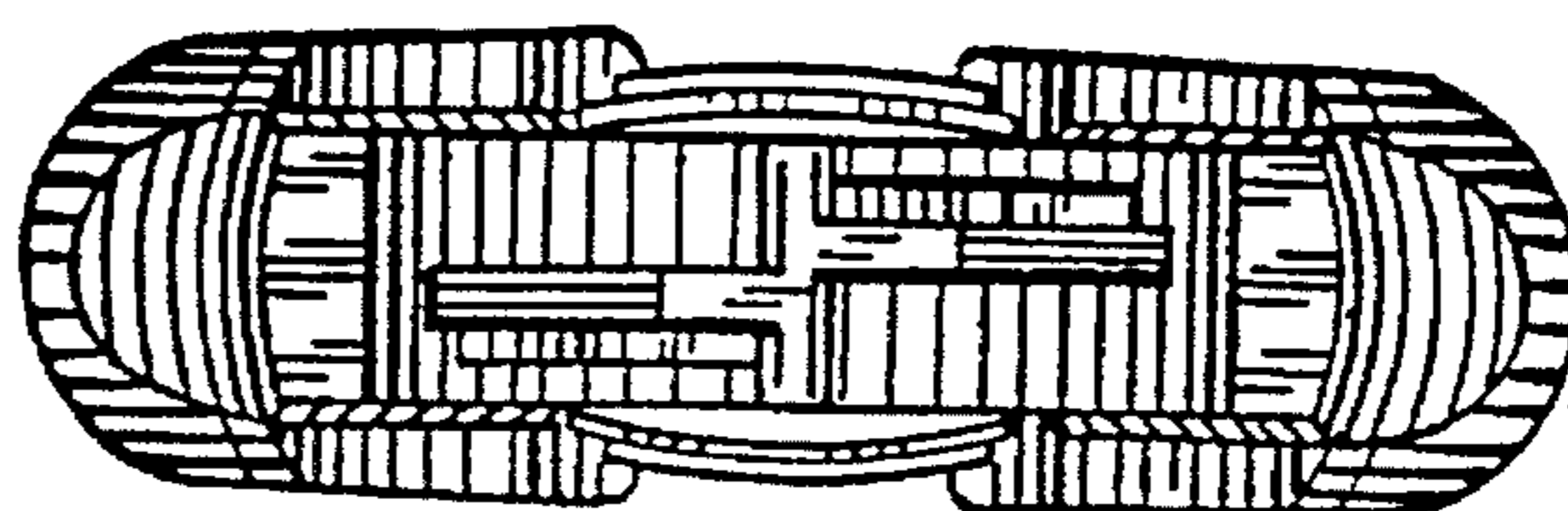


FIG. 5.

FIG. 3.

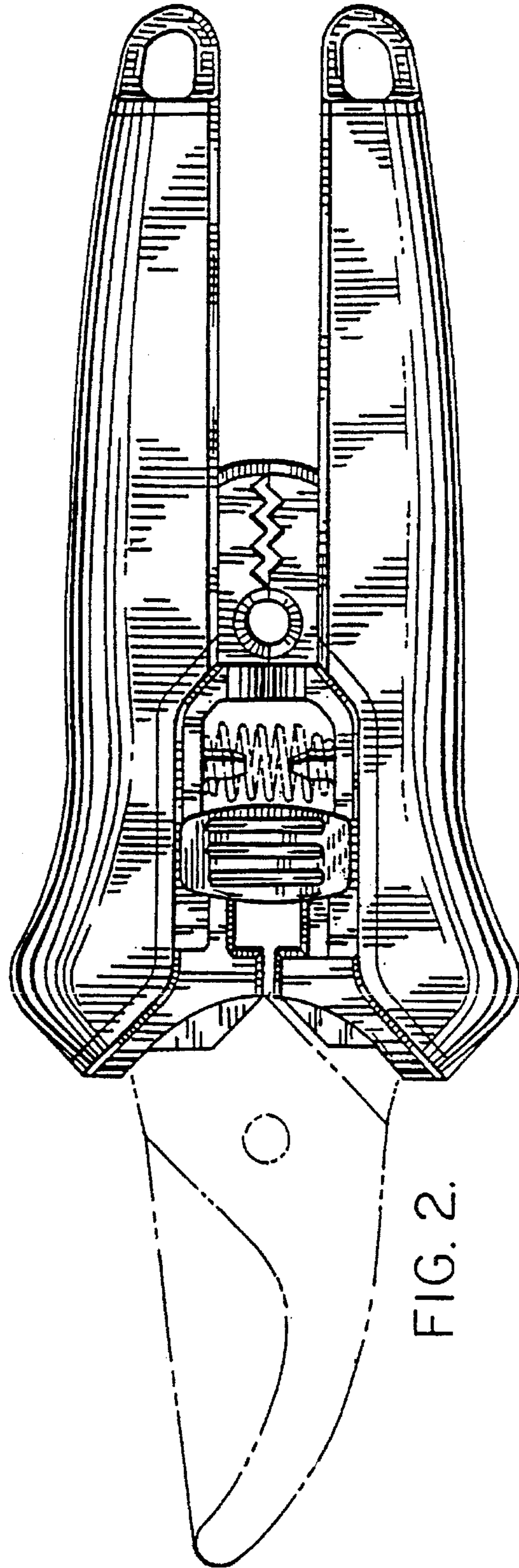
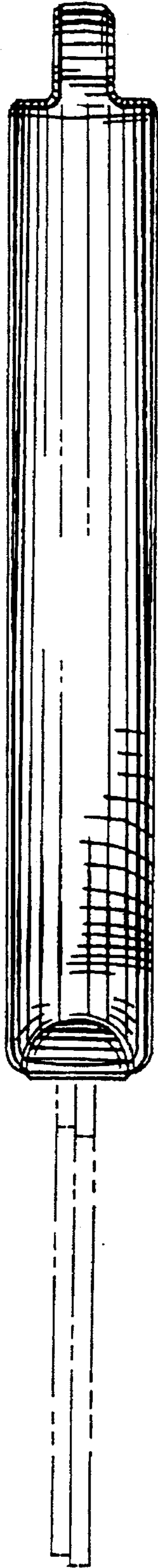


FIG. 2.

FIG. 4.

