



US00D369526S

**United States Patent** [19]  
**Colton**

[11] **Patent Number: Des. 369,526**  
[45] **Date of Patent: \*\*May 7, 1996**

[54] **BEVERAGE CONTAINER HOLDER**

[76] Inventor: **Raymond Colton**, 210 Mugekwis,  
Tonica, Ill. 61370

[\*\*] Term: **14 Years**

[21] Appl. No.: **34,056**

[22] Filed: **Jan. 26, 1995**

[30] **Foreign Application Priority Data**

Aug. 12, 1994 [CA] Canada ..... 1994-1580

[52] **U.S. Cl.** ..... **D7/620**

[58] **Field of Search** ..... D7/619-625; 62/457.1-457.4;  
211/71, 74, 75; 220/737, 739; 248/346.1,  
309.1, 311.2, 313

[56] **References Cited**

**U.S. PATENT DOCUMENTS**

D. 266,834 11/1982 Sinkhorn et al. .... D7/620 X

D. 319,951 9/1991 Frankel ..... D7/620  
5,022,235 6/1991 Grissom ..... 62/457.4  
5,088,673 2/1992 Chandler ..... D7/619 X

*Primary Examiner*—Terry A. Wallace  
*Attorney, Agent, or Firm*—Breiner & Breiner

[57] **CLAIM**

The ornamental design for a beverage container holder, as shown and described.

**DESCRIPTION**

FIG. 1 is a front elevation view of a beverage container holder showing my new design;  
FIG. 2 is a rear elevation view thereof;  
FIG. 3 is a left side elevation view thereof;  
FIG. 4 is a top plan view thereof;  
FIG. 5 is a bottom plan view thereof; and,  
FIG. 6 is a right side elevation view thereof.

**1 Claim, 2 Drawing Sheets**

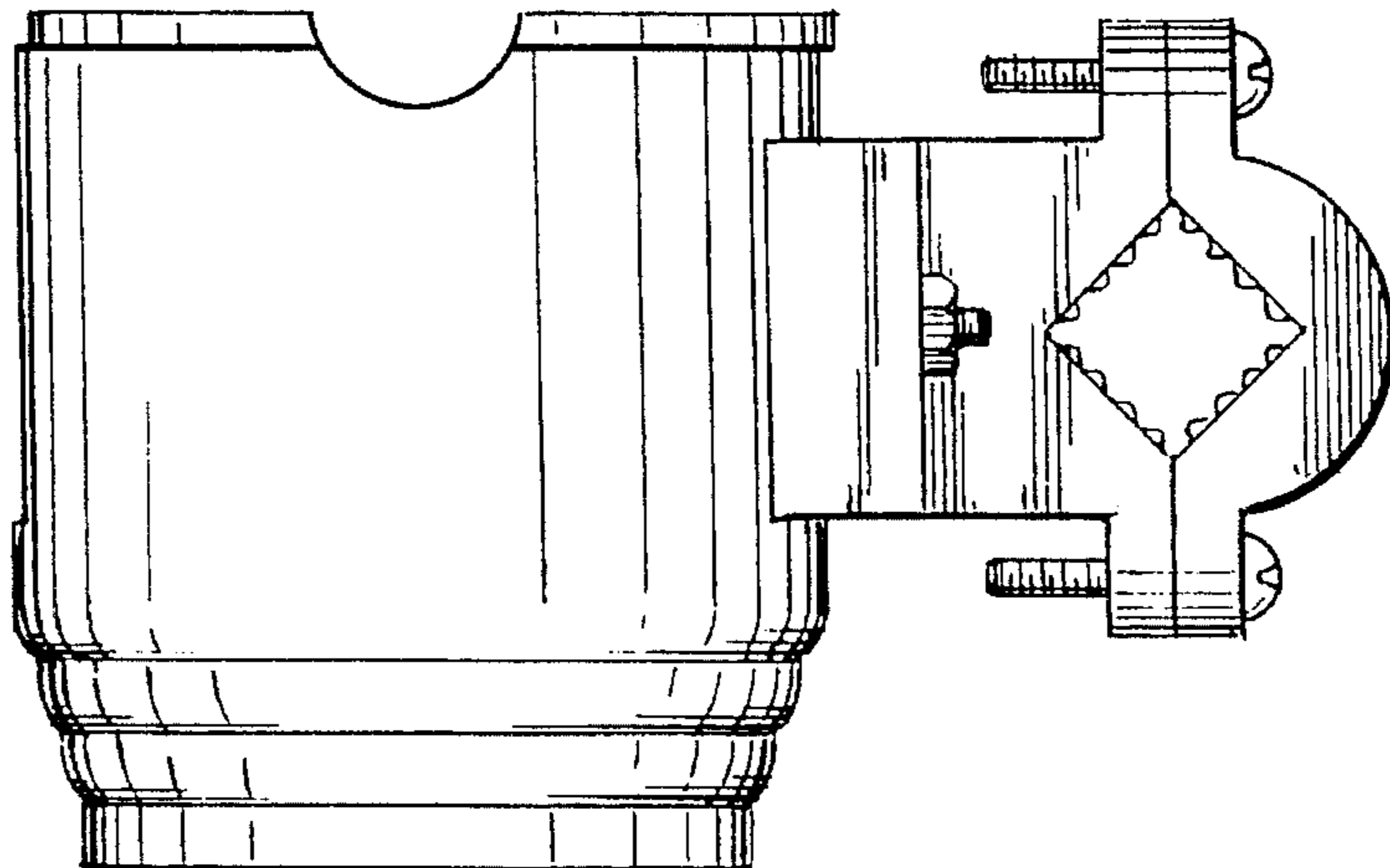
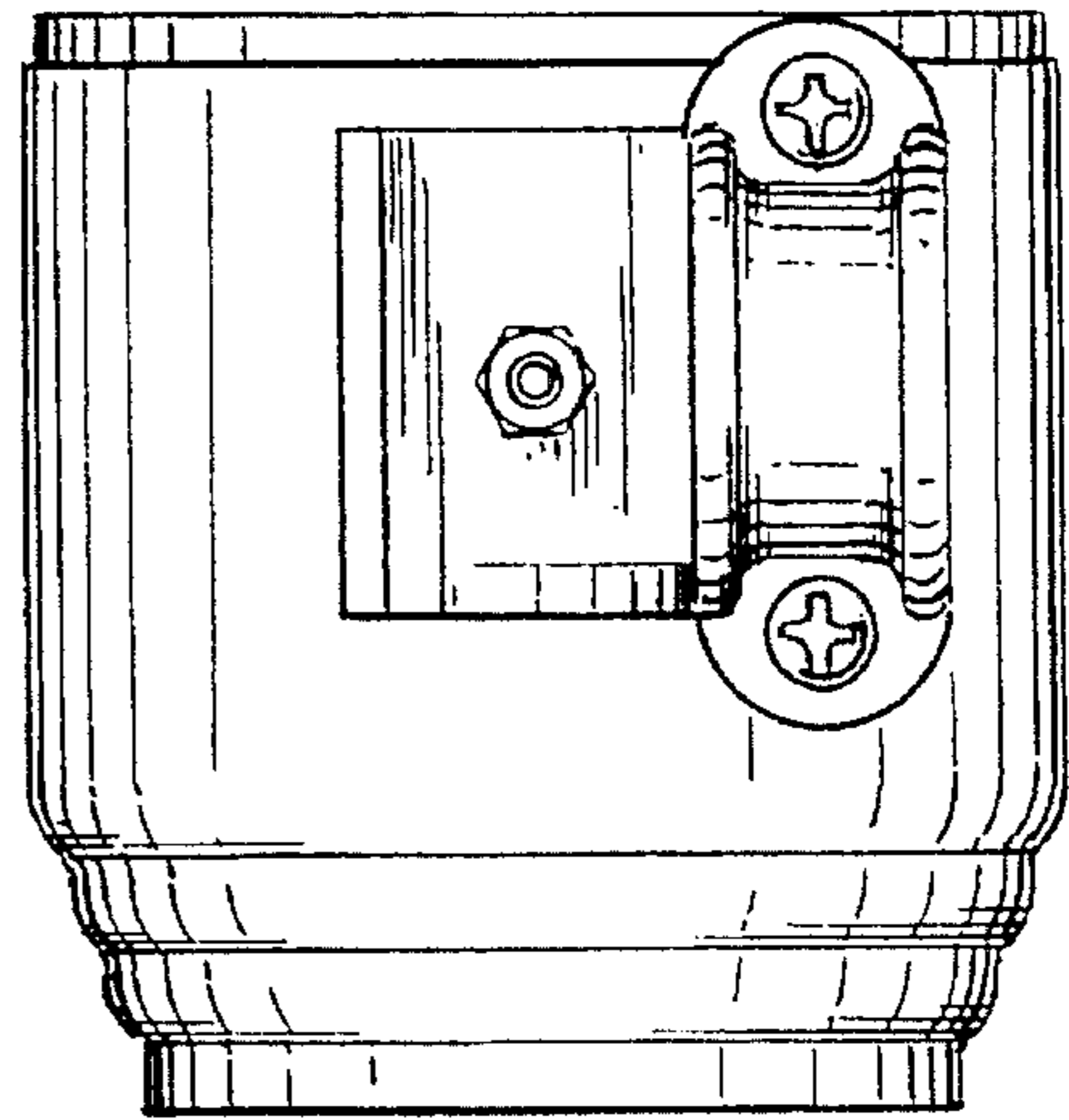
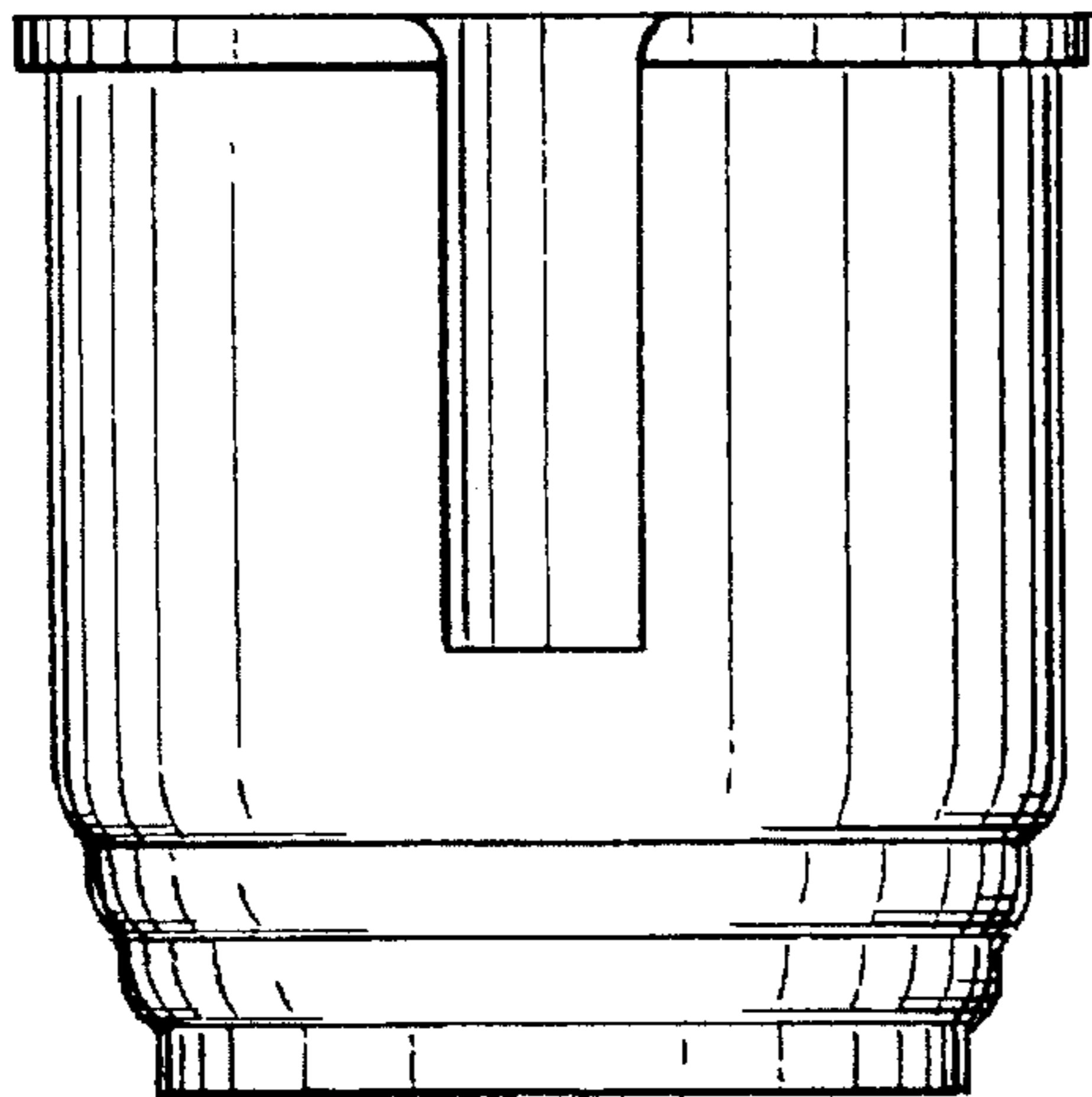


FIG. 1

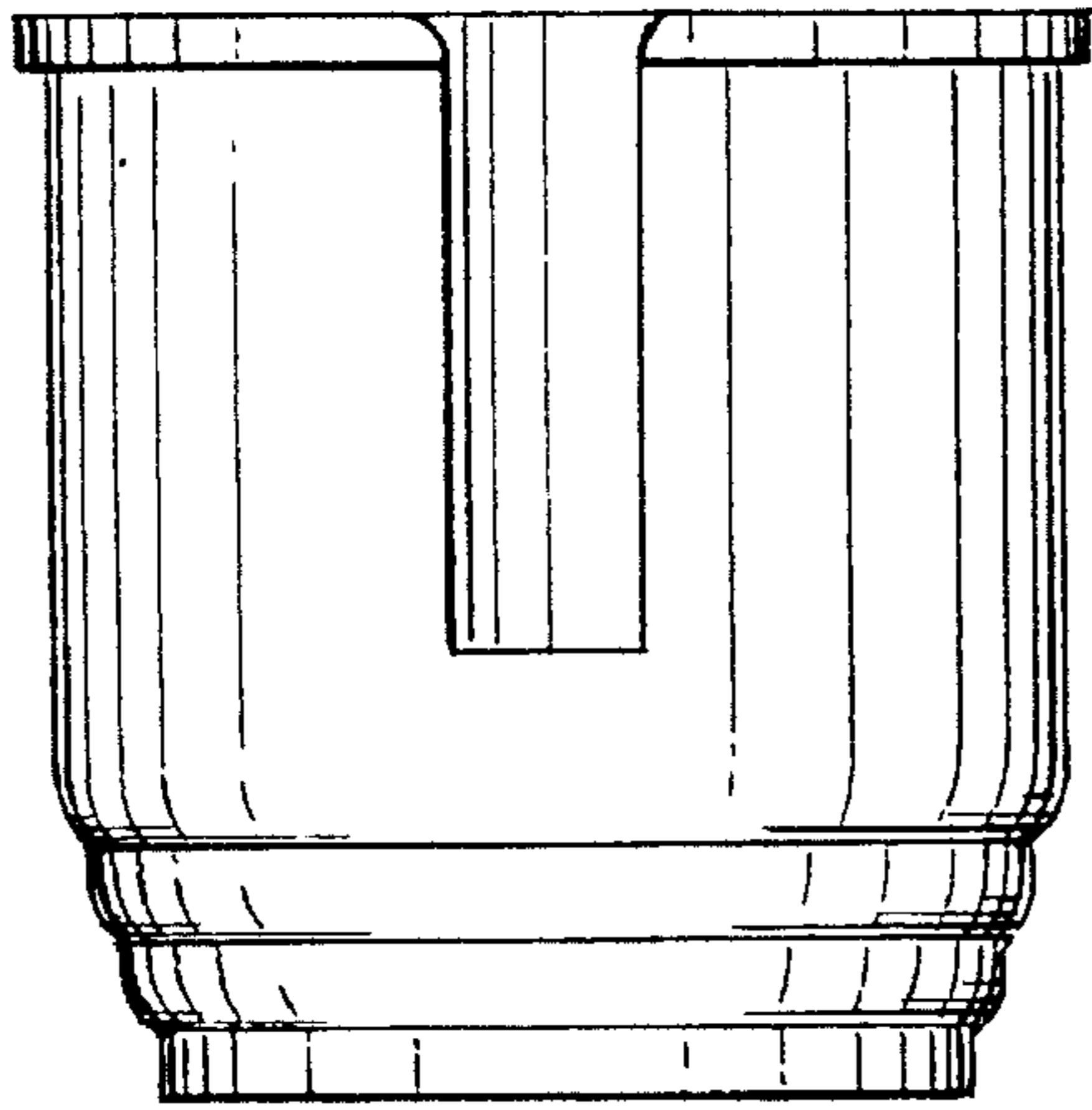


FIG. 2

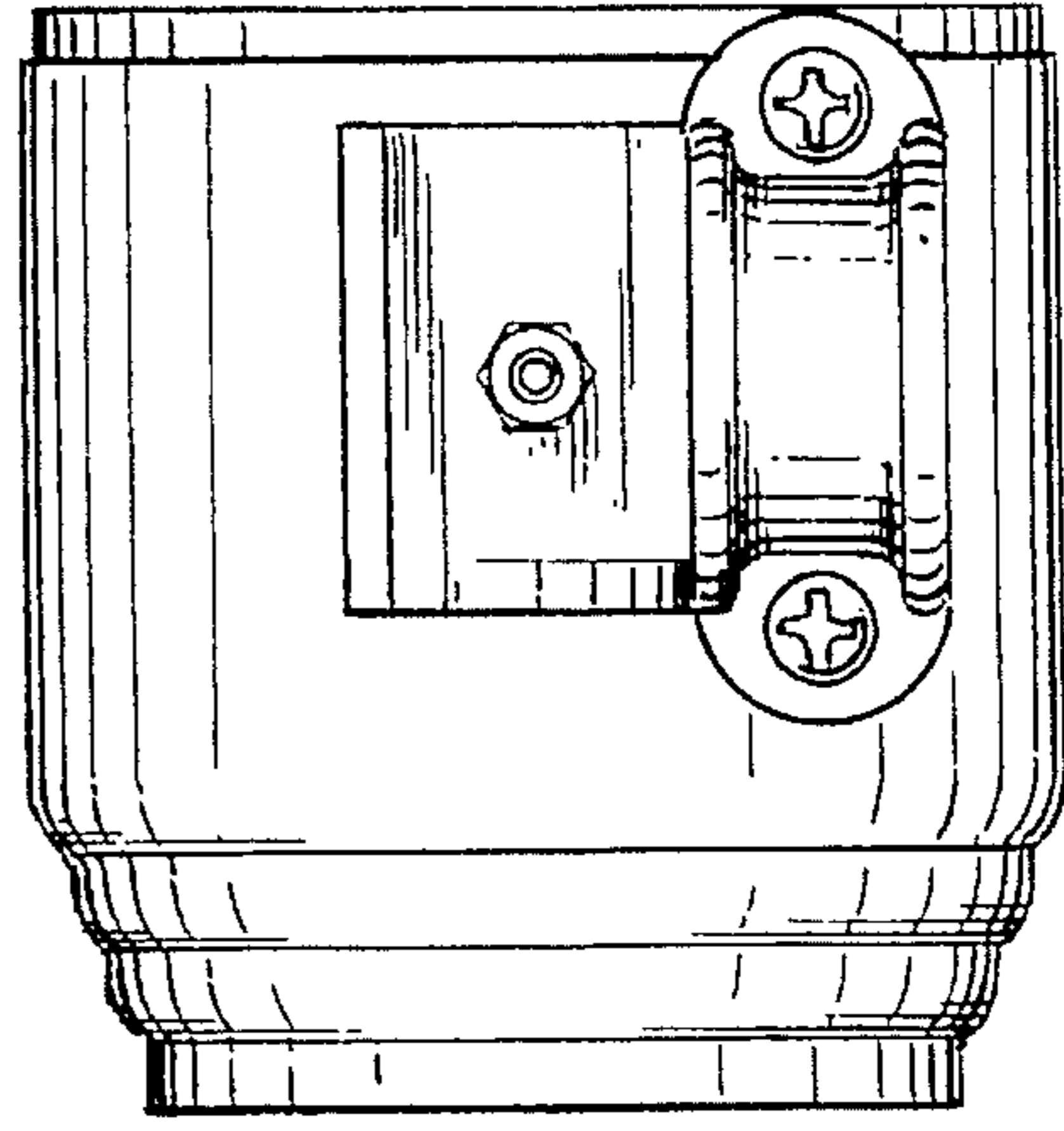


FIG. 3

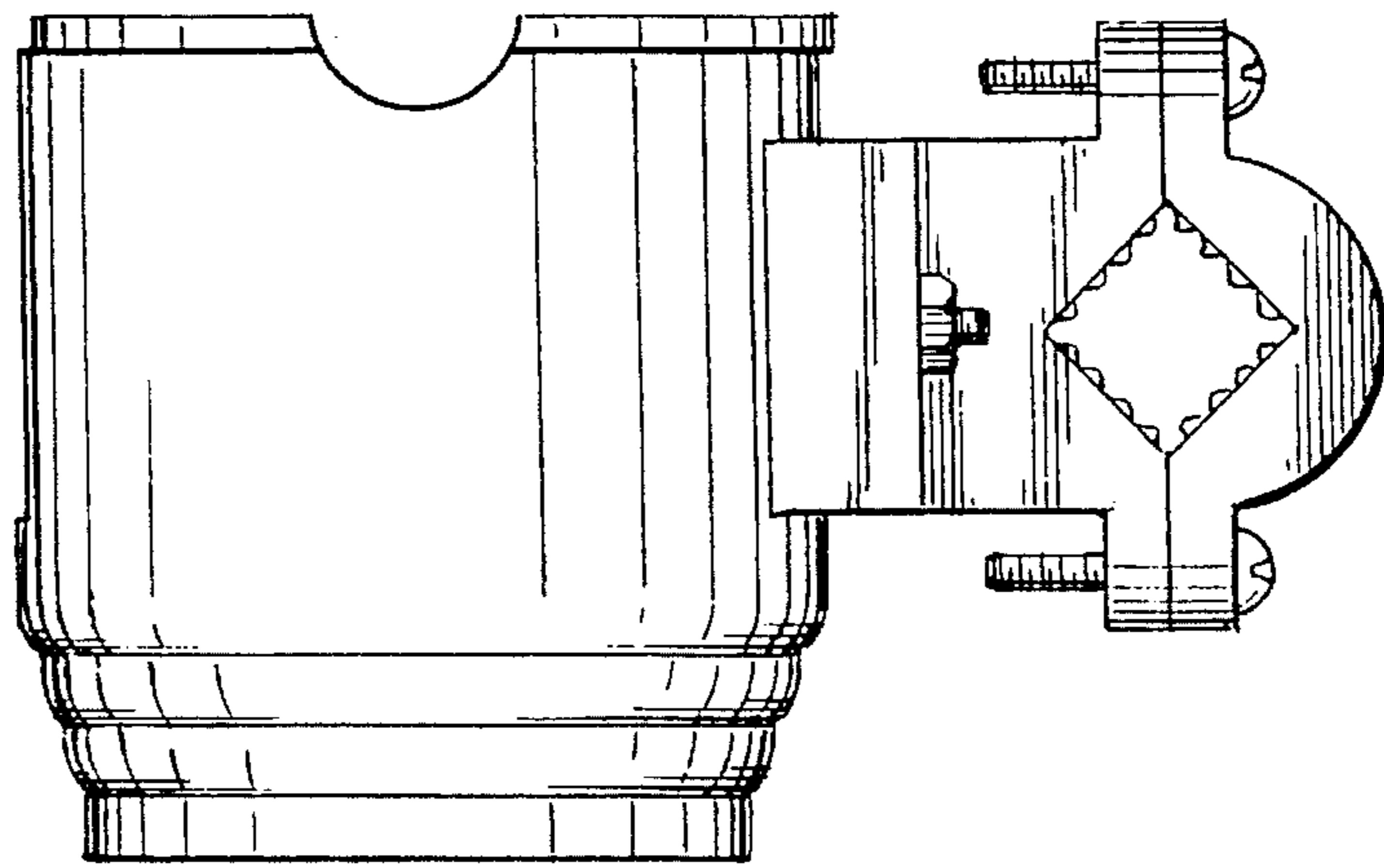


FIG. 4

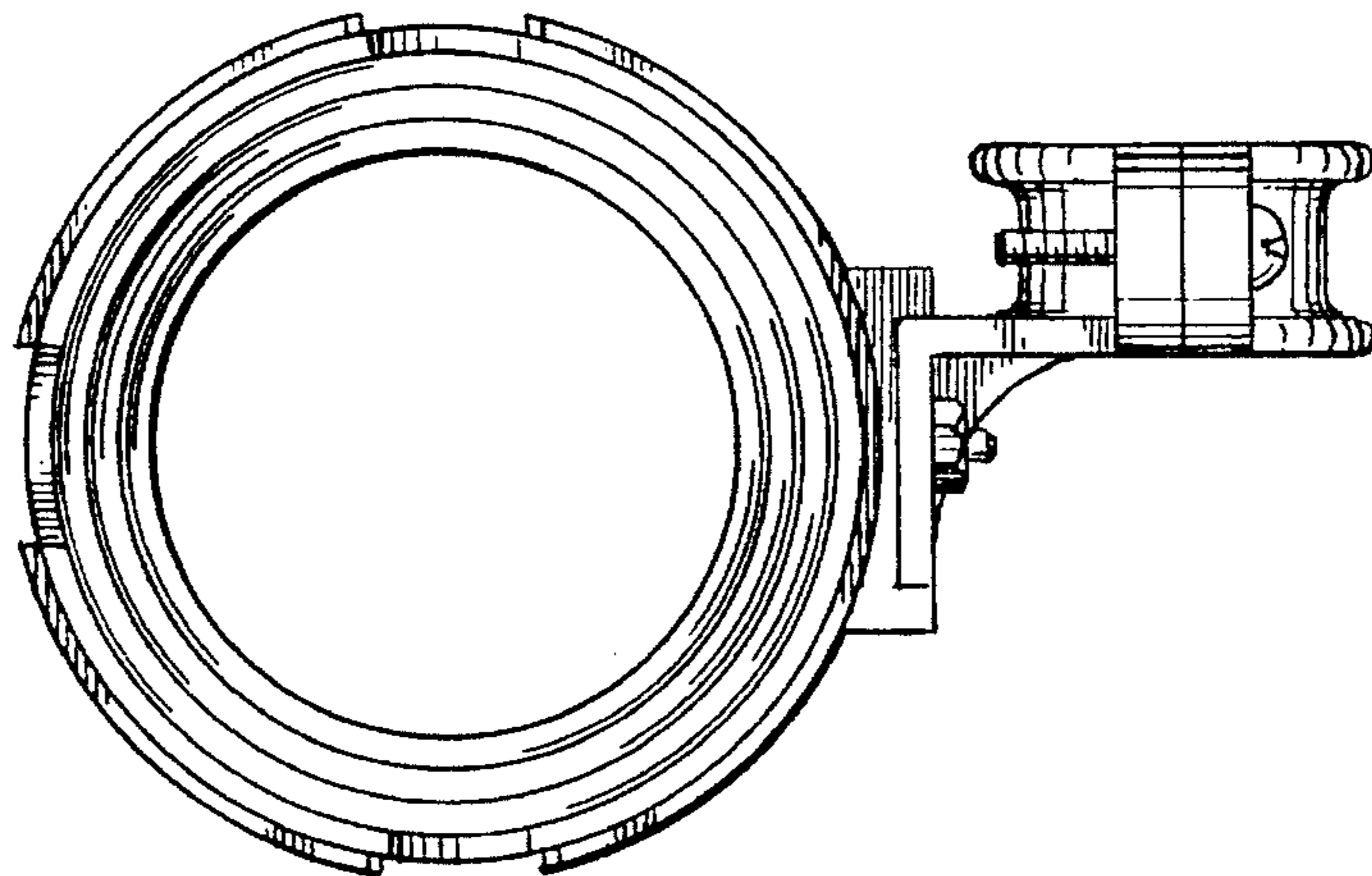


FIG. 5

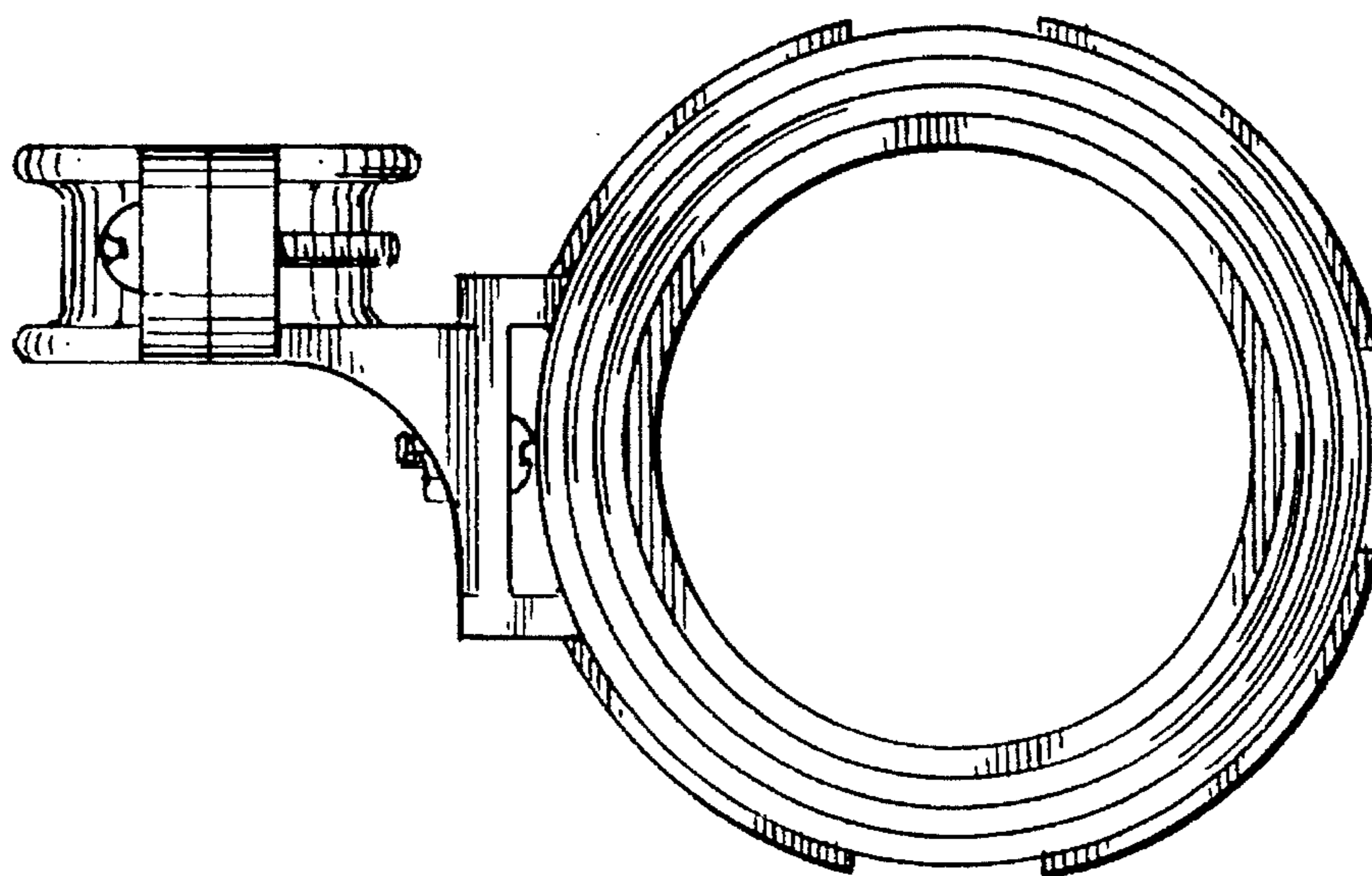


FIG. 6

