



US00D369525S

United States Patent [19]

[11] **Patent Number:** **Des. 369,525**

Winters

[45] **Date of Patent:** ****May 7, 1996**

[54] **PORTABLE COOLER FOR BEVERAGES AND FOOD**

D. 296,749	7/1988	Threadgill, Jr. et al.	D7/608 X
2,781,937	2/1957	Piker	220/412
3,182,884	5/1965	Waldron	220/411 X
5,277,328	1/1994	Tocco	220/412 X

[76] Inventor: **Wim Winters**, Rembrandtweg 17a,
2202 At Noordwijk, Netherlands

Primary Examiner—Terry A. Wallace
Attorney, Agent, or Firm—Beveridge, DeGrandi, Weilacher & Young

[**] Term: **14 Years**

[21] Appl. No.: **40,098**

[57] CLAIM

[22] Filed: **Jun. 9, 1995**

The ornamental design for a portable cooler for beverages and food, as shown and described.

[30] Foreign Application Priority Data

DESCRIPTION

Dec. 29, 1994 [BE] Belgium 70397-01/02

[52] **U.S. Cl.** **D7/608**

[58] **Field of Search** D7/605-608, 709,
D7/710; 62/457.1, 457.5, 457.7, 371; 220/411,
412

FIG. 1 is a bottom perspective view of a portable cooler for beverages and food showing the design;
FIG. 2 is an exploded top perspective view thereof;
FIG. 3 is a front view thereof;
FIG. 4 is a side view thereof;
FIG. 5 is a top view thereof; and,
FIG. 6 is a bottom view thereof.

[56] References Cited

U.S. PATENT DOCUMENTS

D. 270,985 10/1983 Hill D7/608

1 Claim, 2 Drawing Sheets

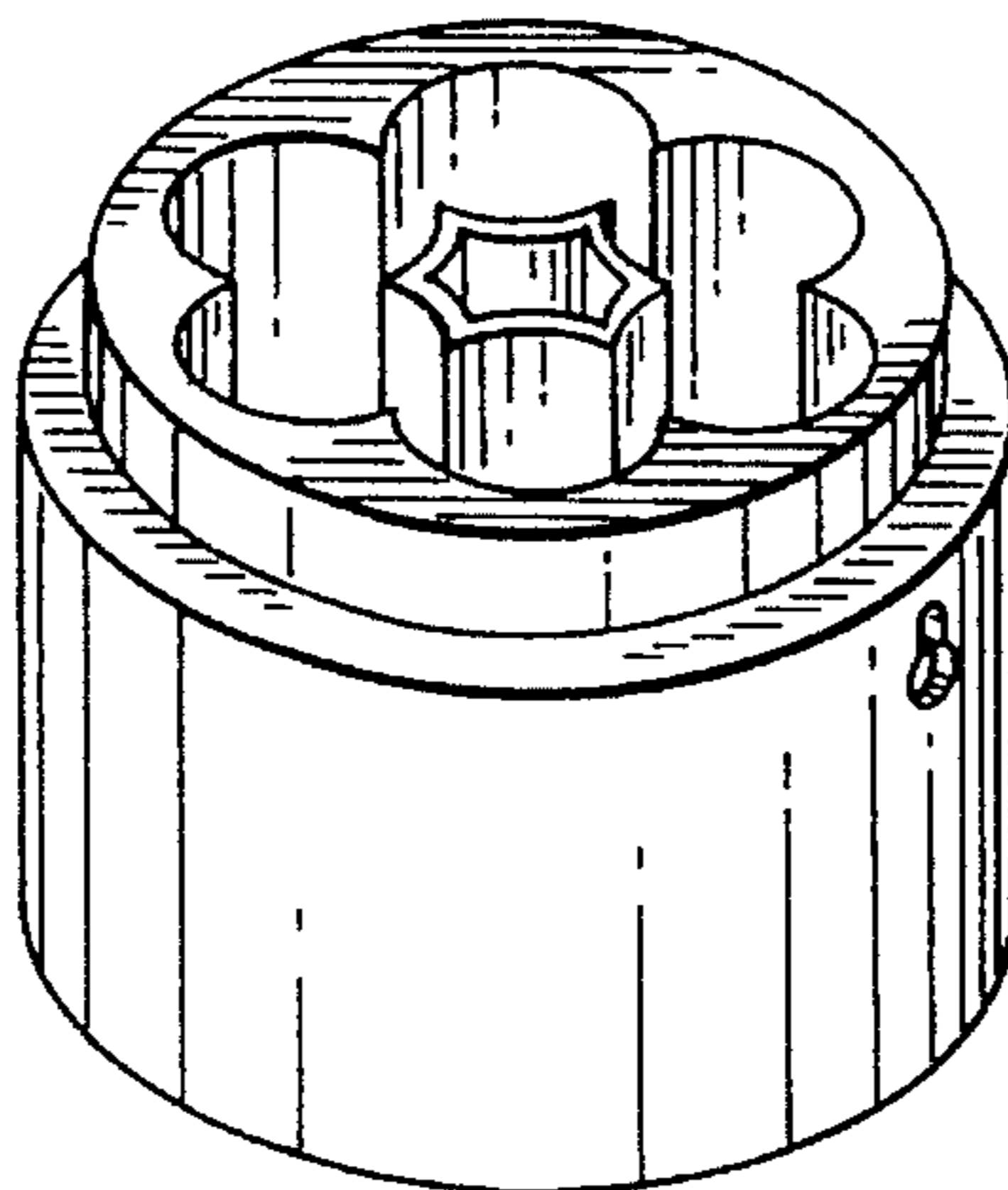
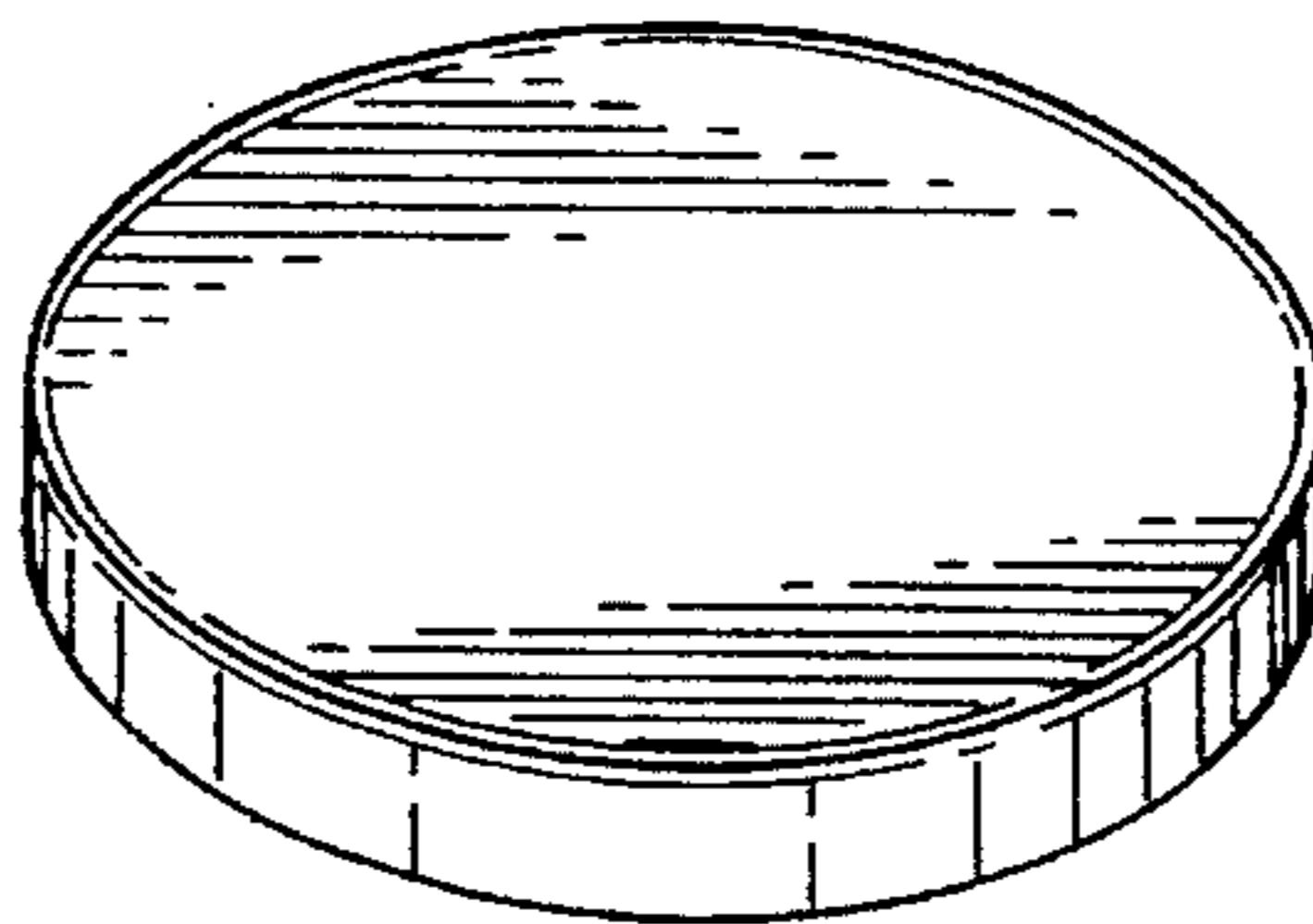
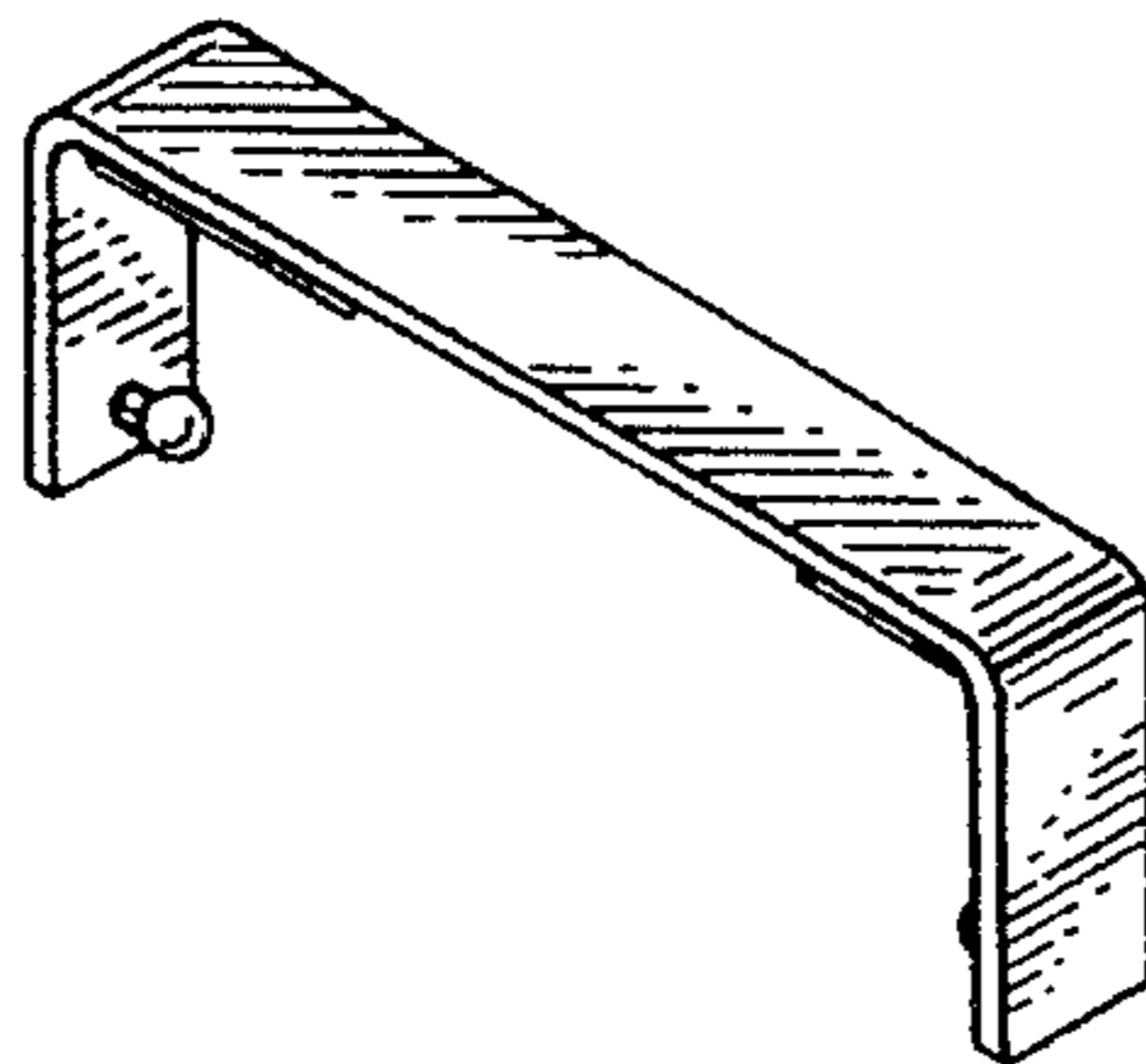


FIG. 1

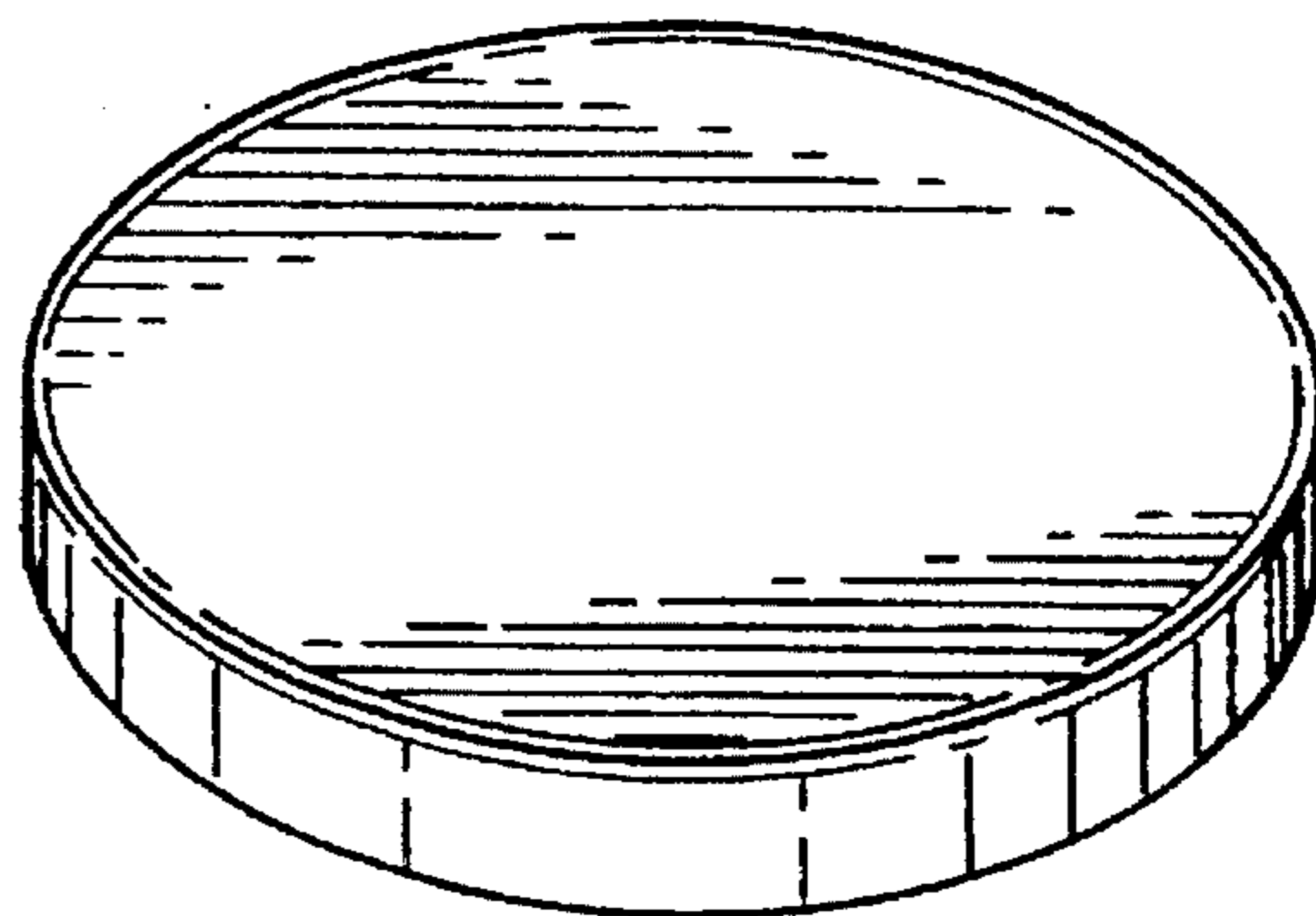
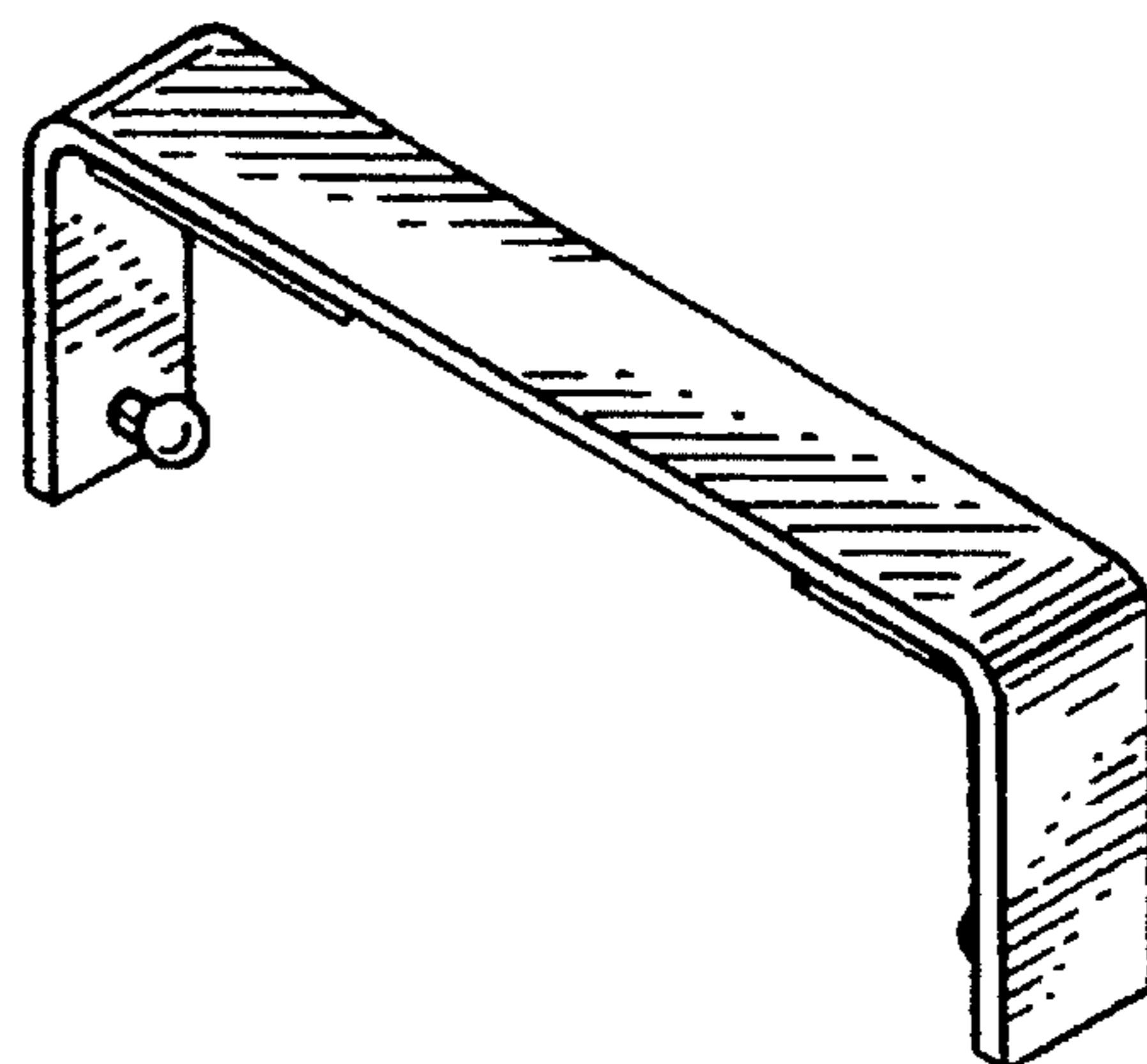
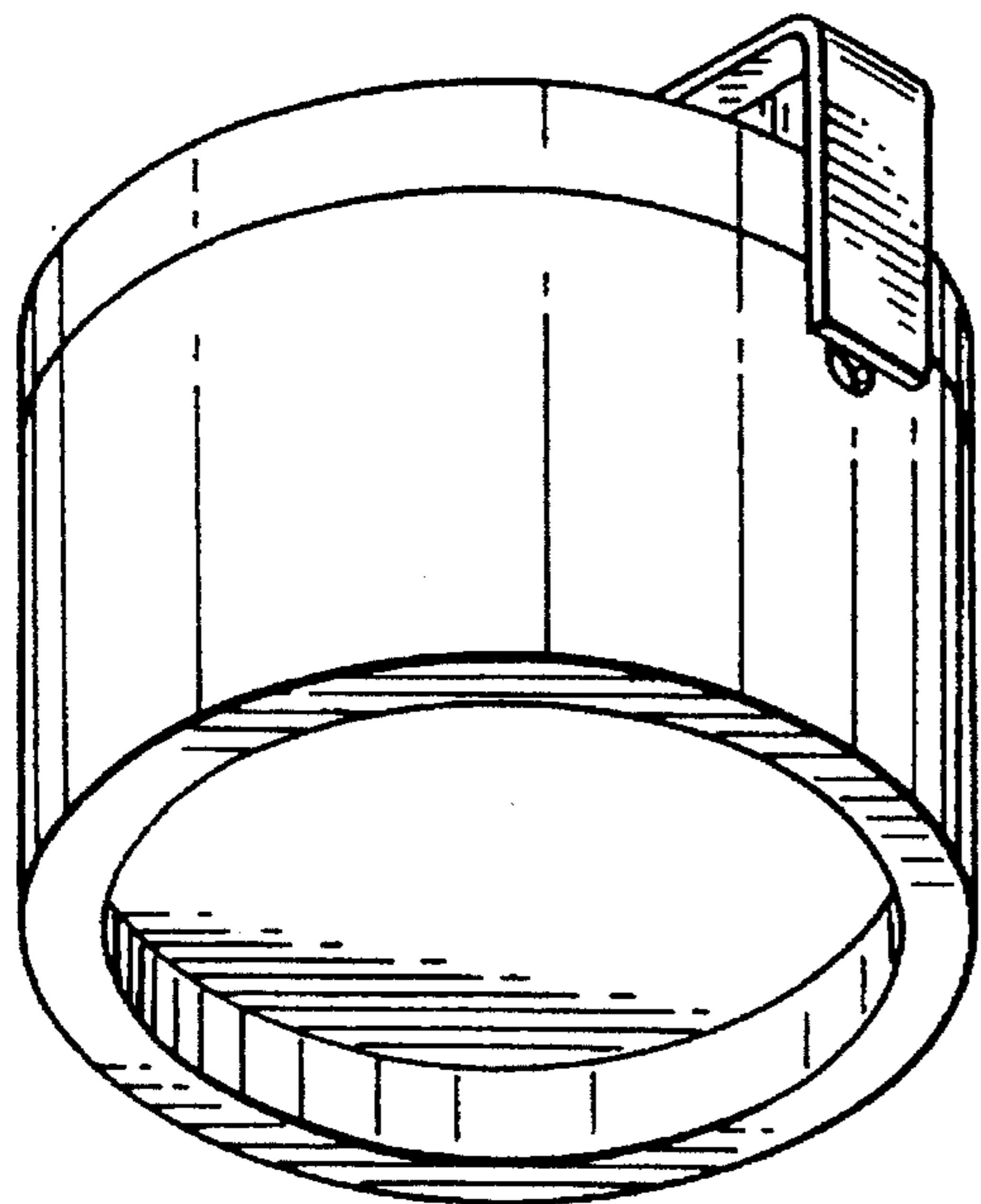
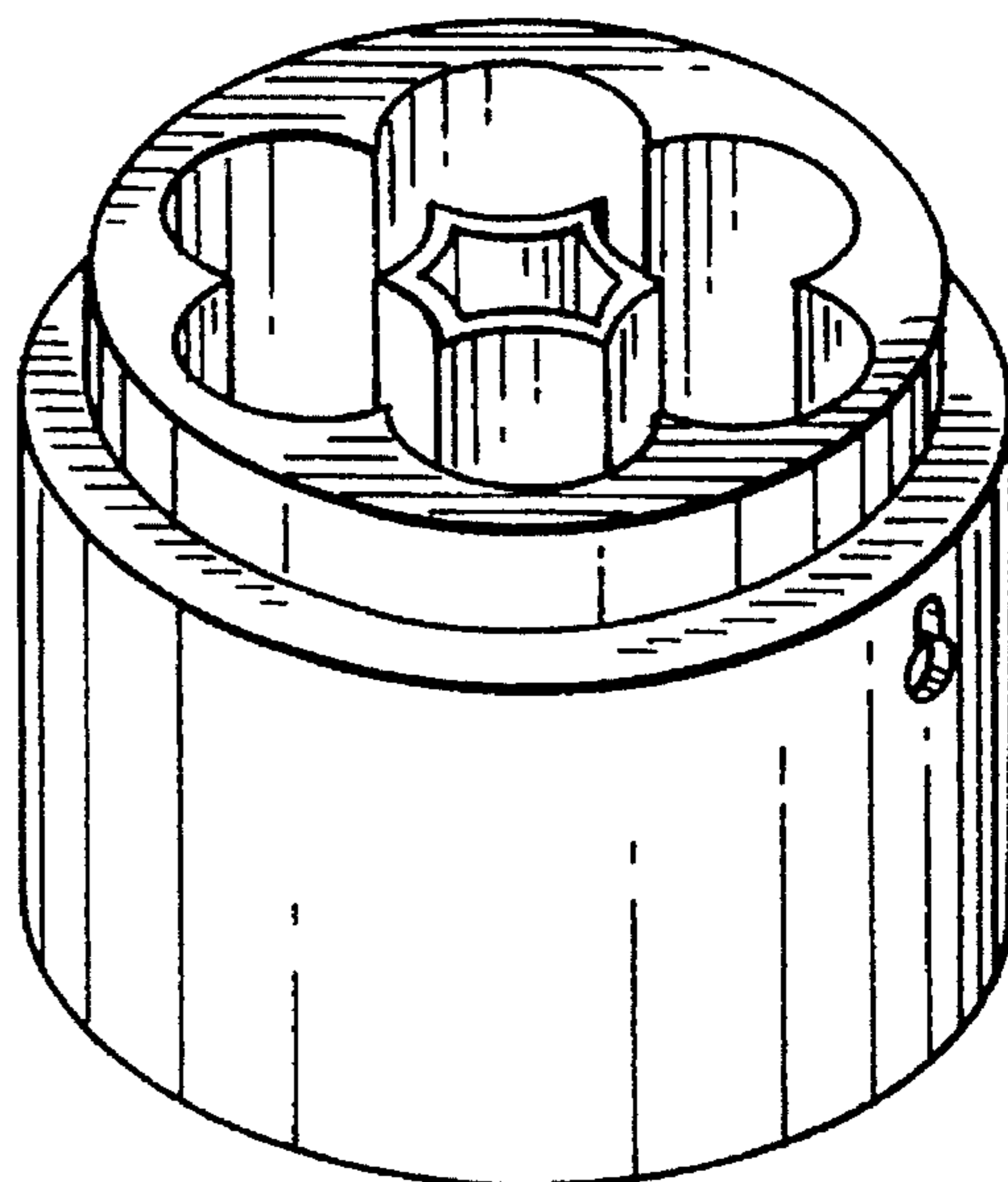


FIG. 2



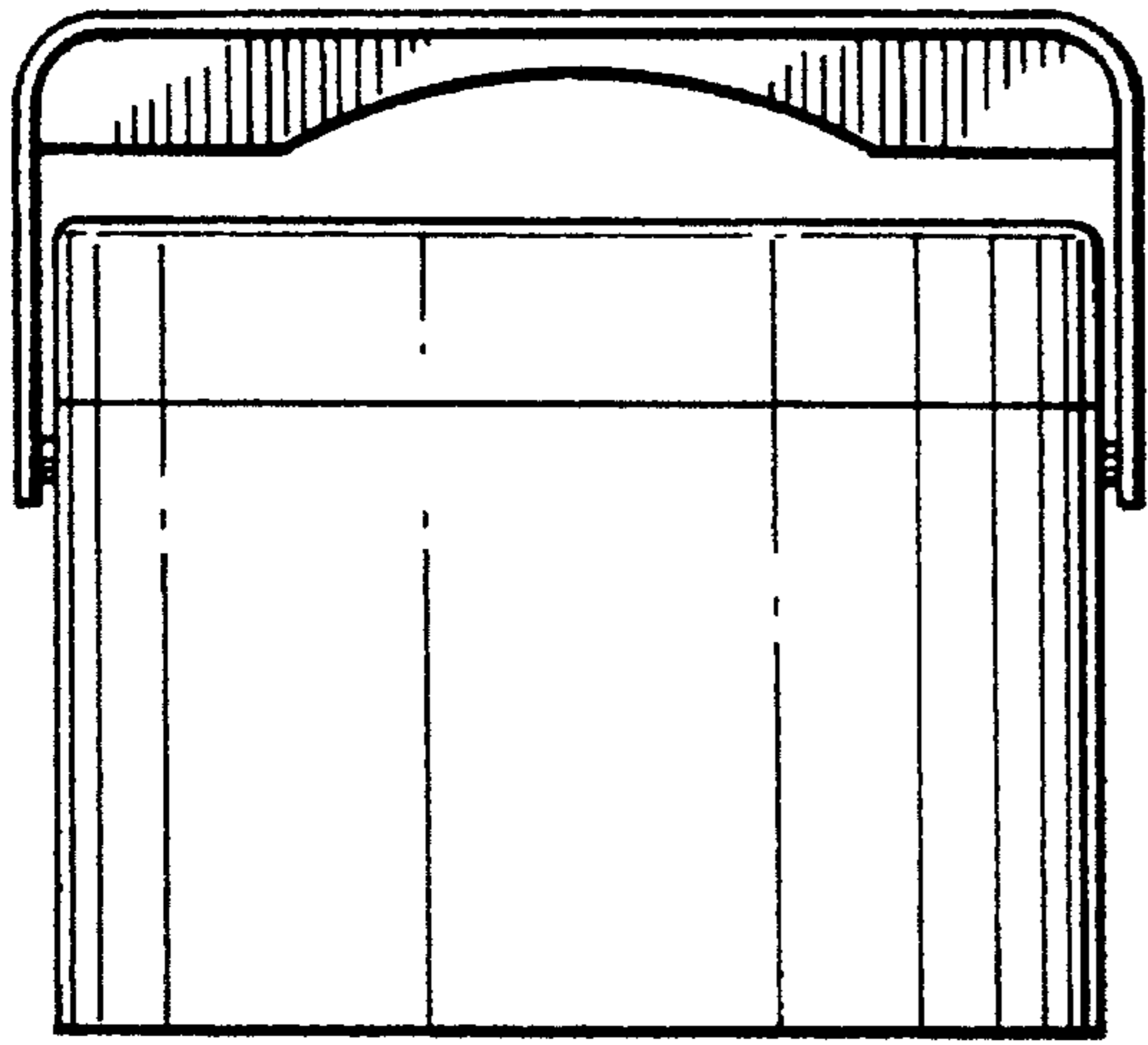


FIG. 3

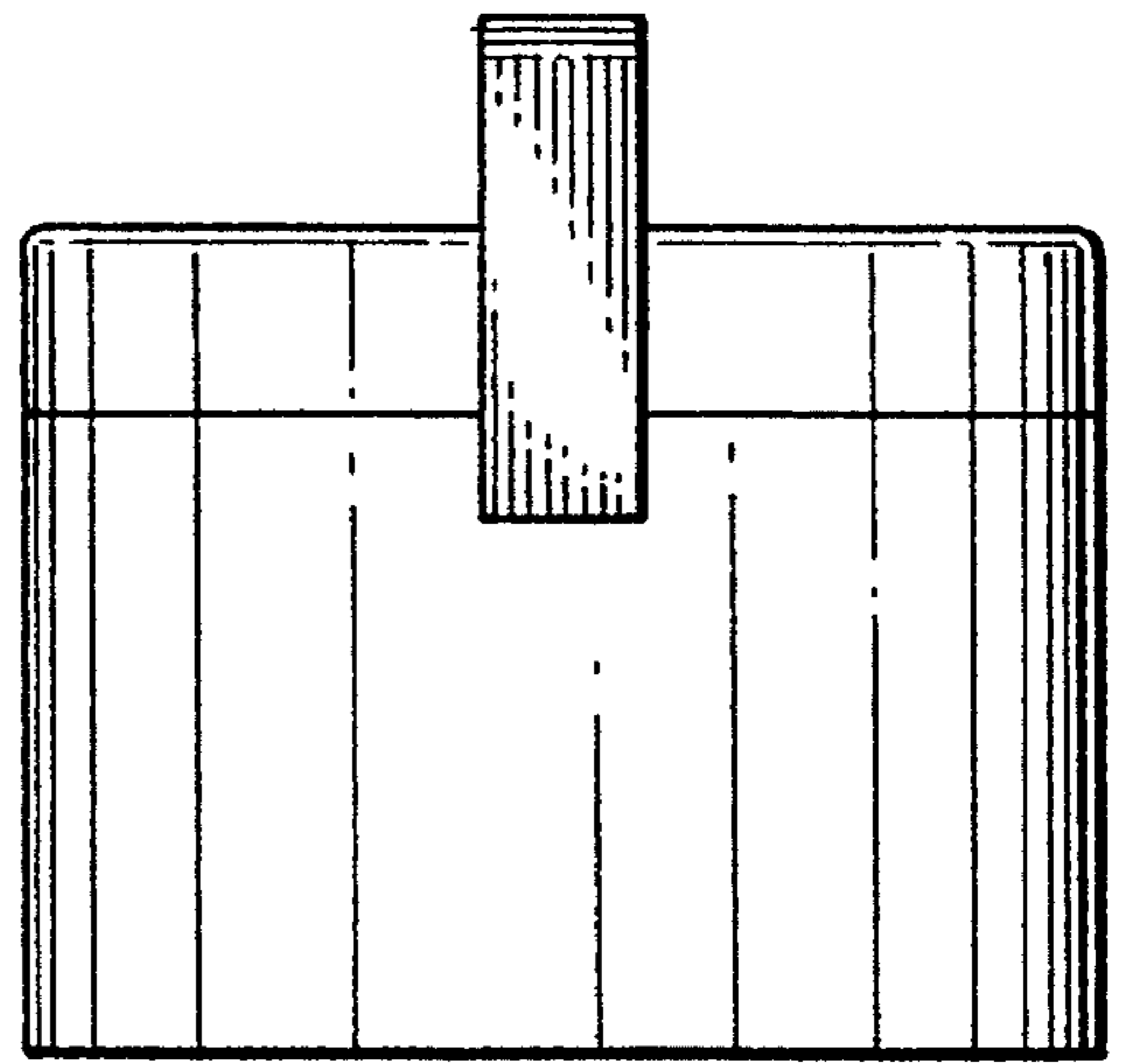


FIG. 4

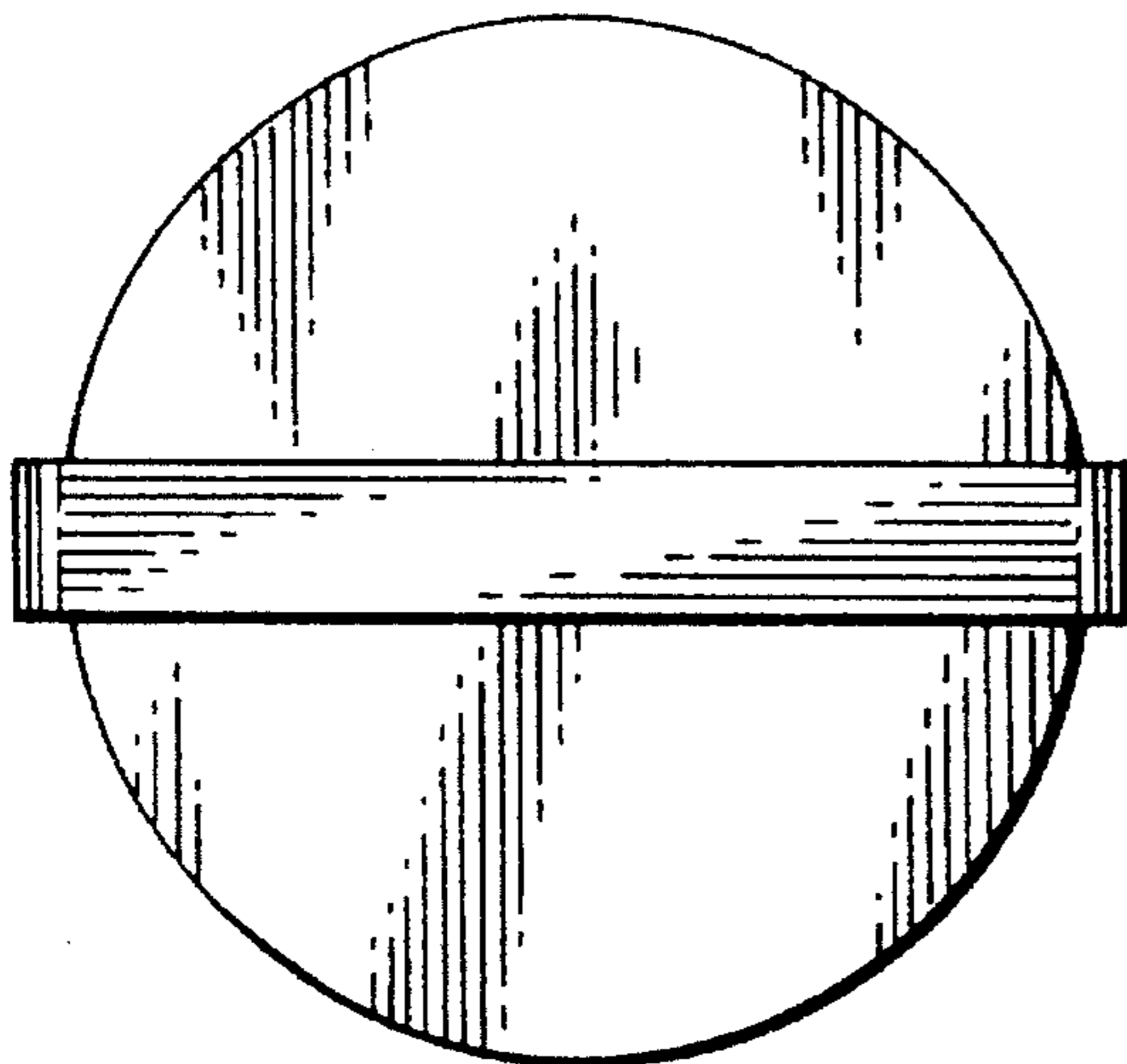


FIG. 5

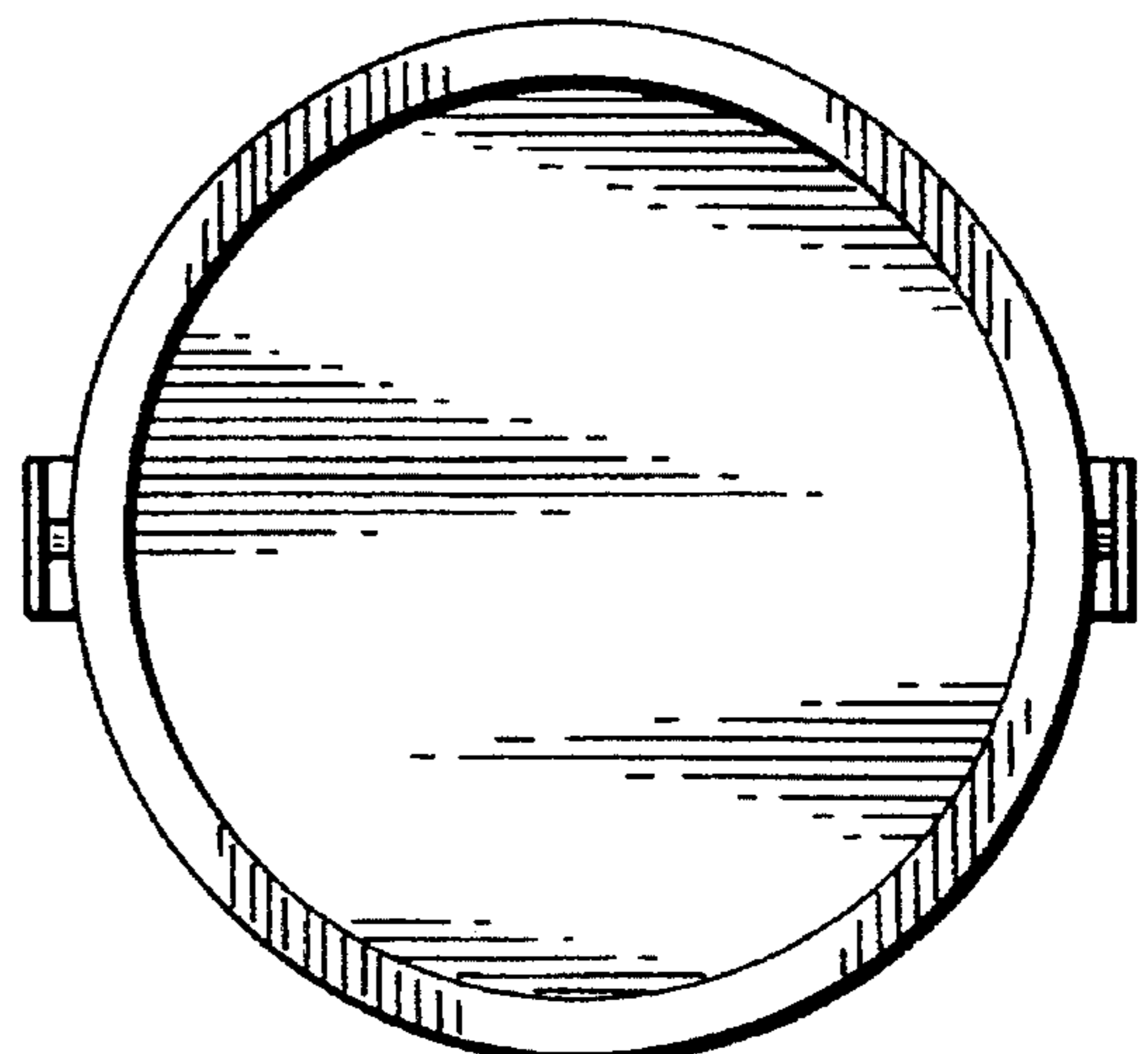


FIG. 6