



US00D369523S

United States Patent [19]
Olson

[11] **Patent Number:** **Des. 369,523**
[45] **Date of Patent:** ****May 7, 1996**

[54] **REVOLVING KITCHEN CENTER**

[75] Inventor: **Kenyon R. Olson**, Epping, N.H.
[73] Assignee: **Spaulding & Frost Co., Inc.**, Fremont, N.H.
[**] Term: **14 Years**

[21] Appl. No.: **35,920**
[22] Filed: **Mar. 9, 1995**
[52] U.S. Cl. **D7/601; D6/522; D7/609**
[58] **Field of Search** **D6/515, 522, 518; D7/601, 609, 703, 590, 592, 637-41; 211/13, 16, 70.7, 74, 86-87; 217/56, 57; 221/45, 197, 282**

[56] **References Cited**

U.S. PATENT DOCUMENTS

D. 313,913 1/1991 Richter et al. D6/522
5,433,140 7/1995 Ogee D7/609 X

OTHER PUBLICATIONS

Carol Wright, Bread box.
House Beautiful, Feb. 1958, p. 20, Pine Towel Rack.
Nasco Catalog, 1984, p. 208, Bread box #6.

Primary Examiner—Terry A. Wallace
Attorney, Agent, or Firm—Harness, Dickey & Pierce

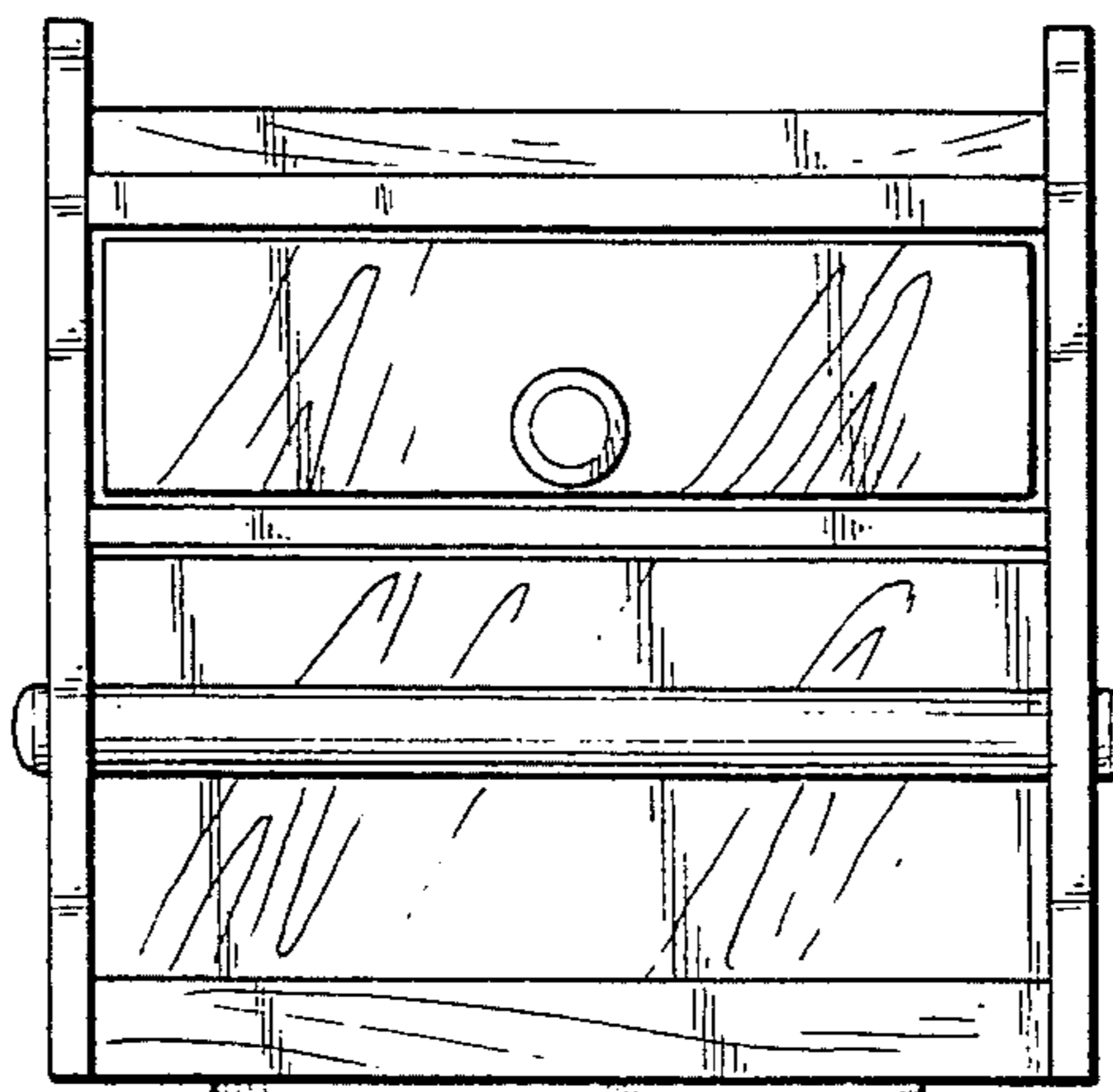
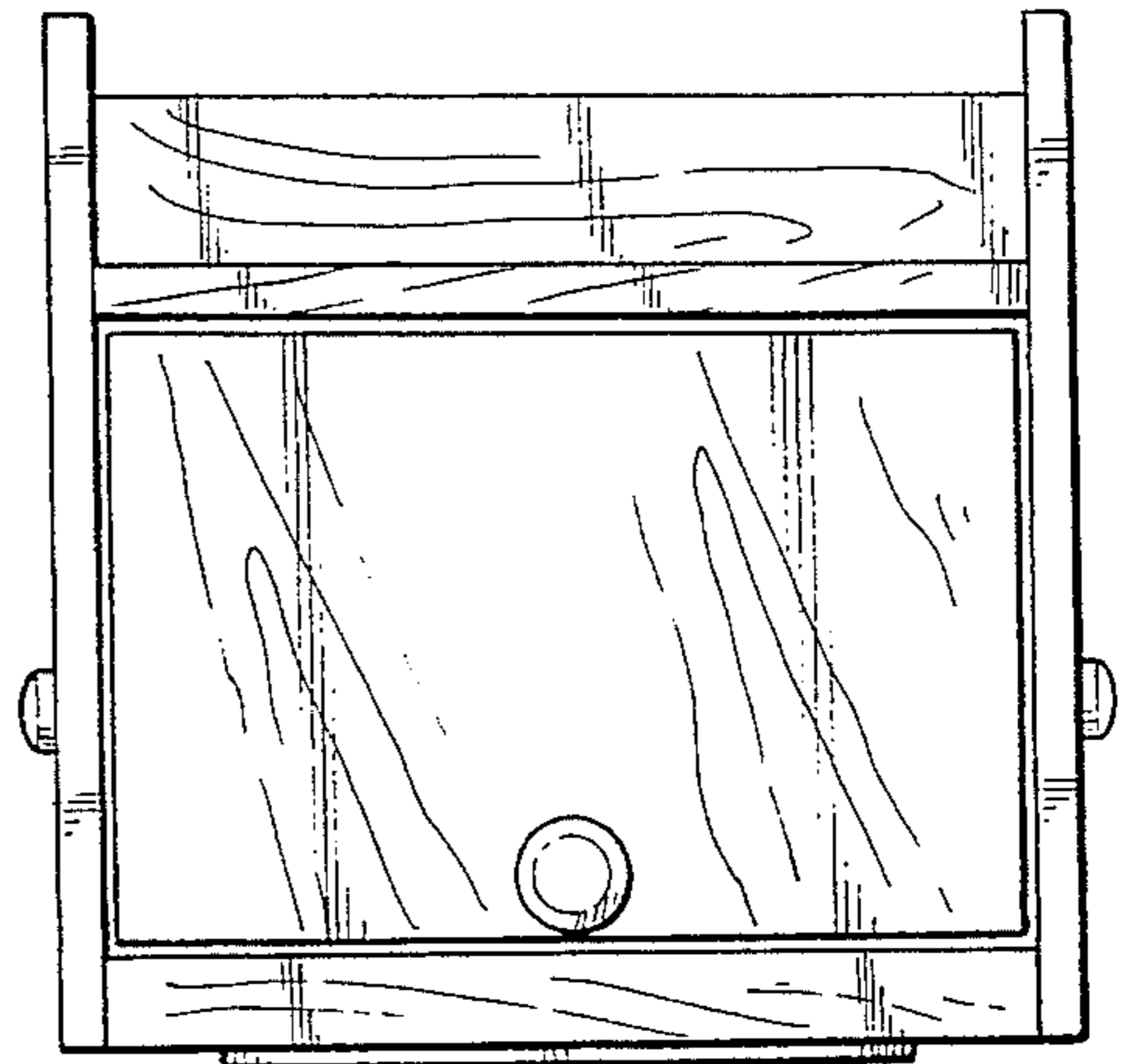
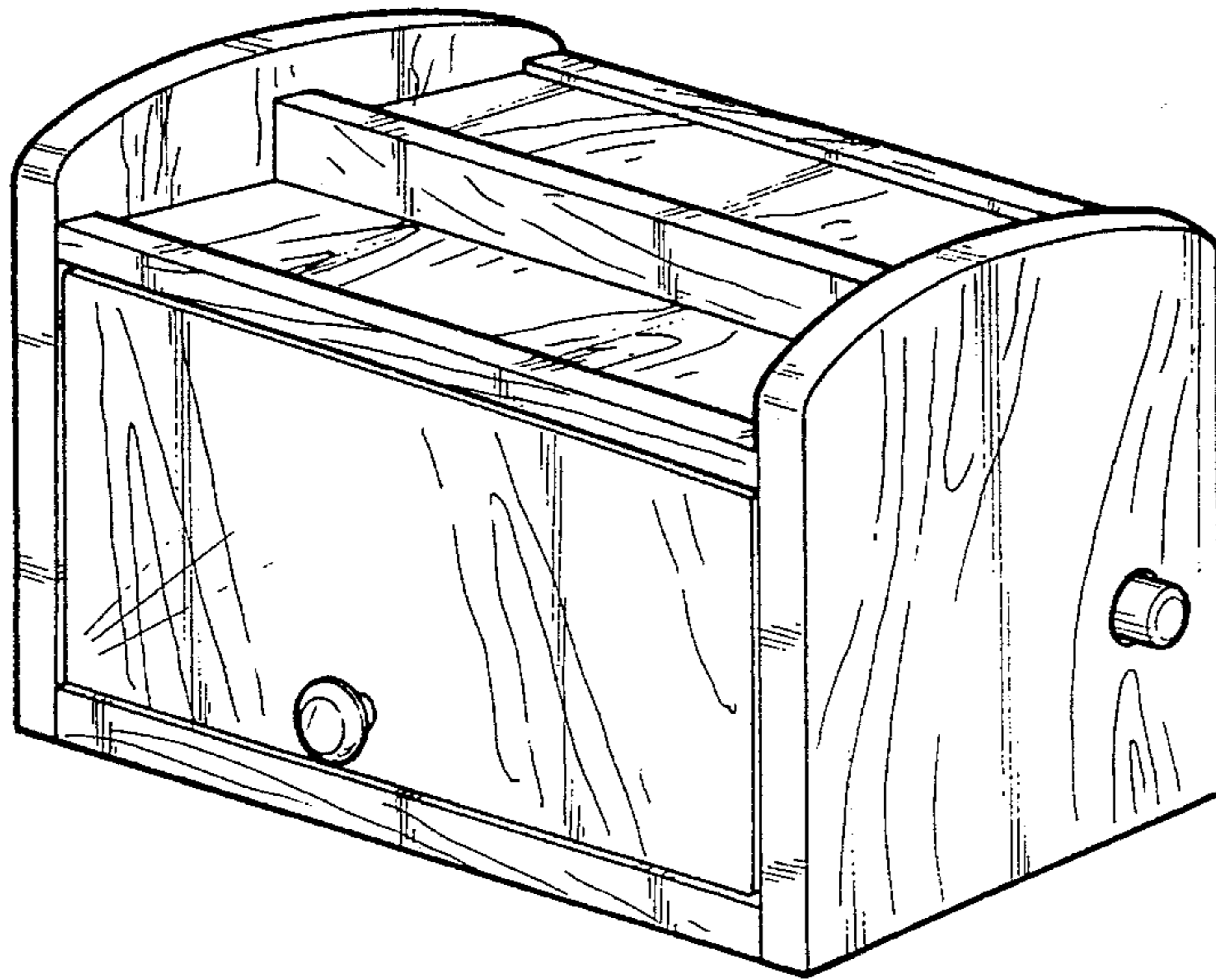
[57] **CLAIM**

The ornamental design for a revolving kitchen center, as shown and described.

DESCRIPTION

FIG. 1 is a perspective view of a revolving kitchen center showing my new design;
FIG. 2 is a front elevation view thereof;
FIG. 3 is a rear elevation view thereof;
FIG. 4 is a top plan view thereof;
FIG. 5 is a bottom plan view thereof; and,
FIG. 6 is a side elevation view thereof.
FIGS. 2-6 are shown on a reduced scale.

1 Claim, 3 Drawing Sheets



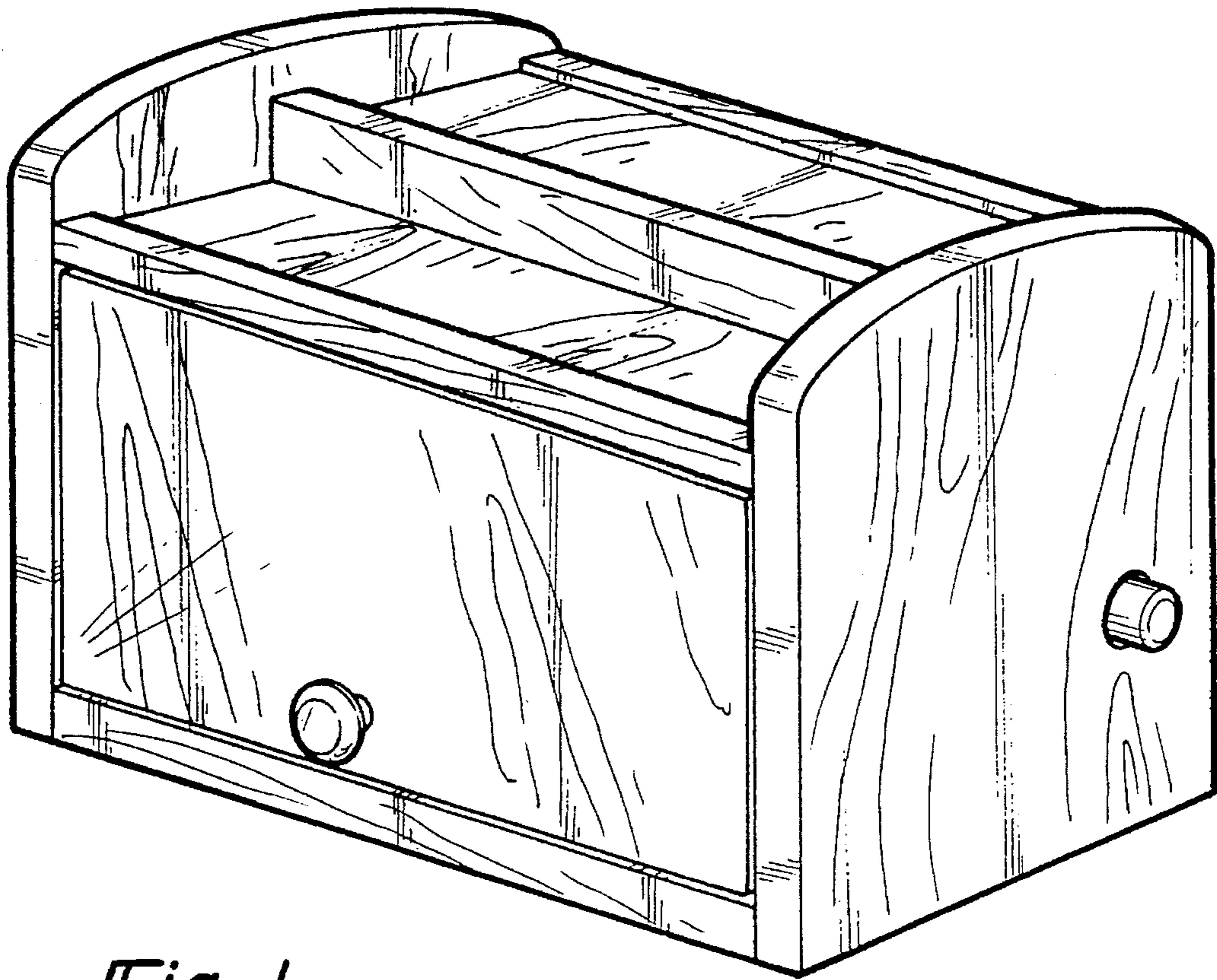


Fig-1

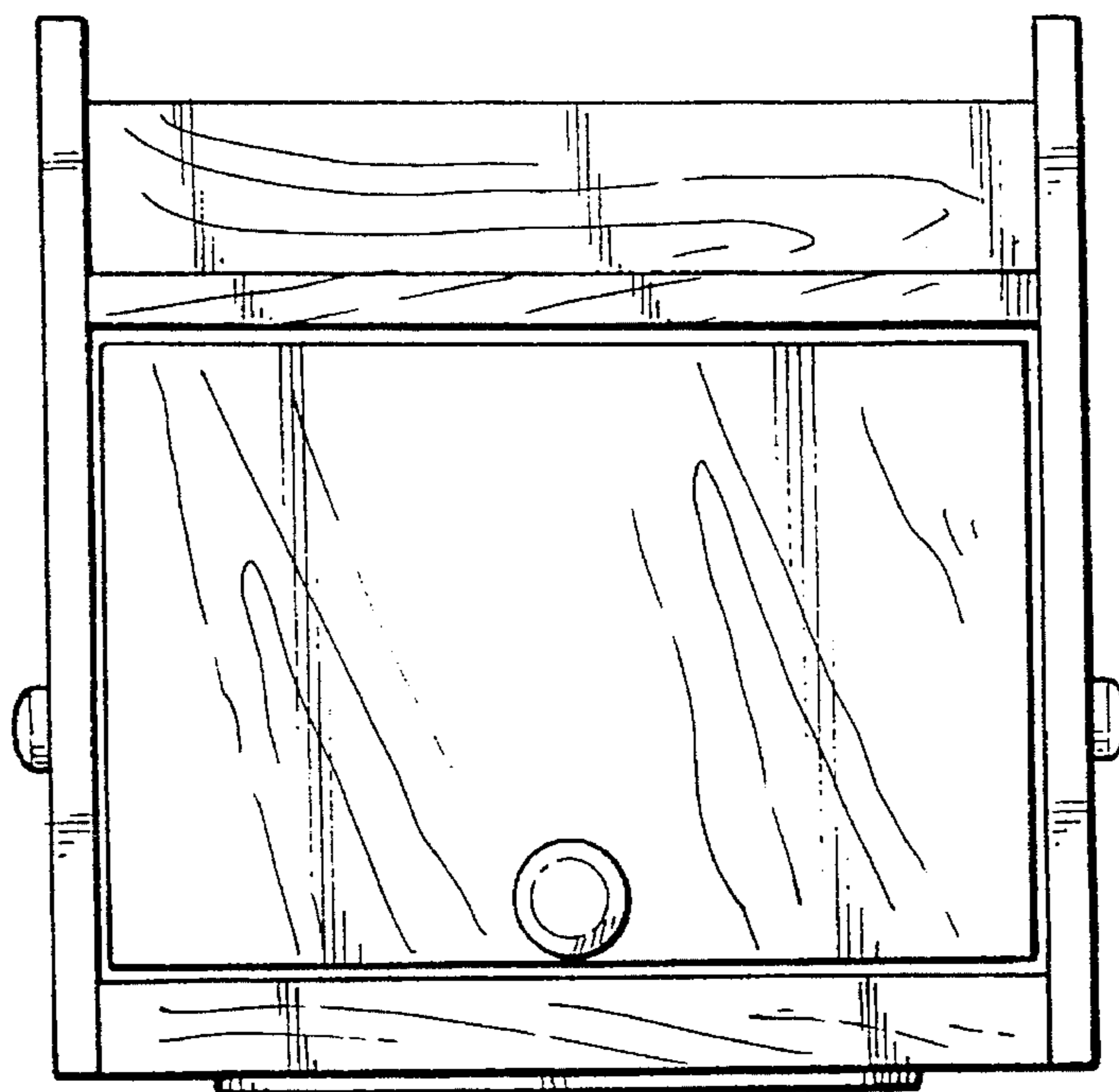


Fig-2

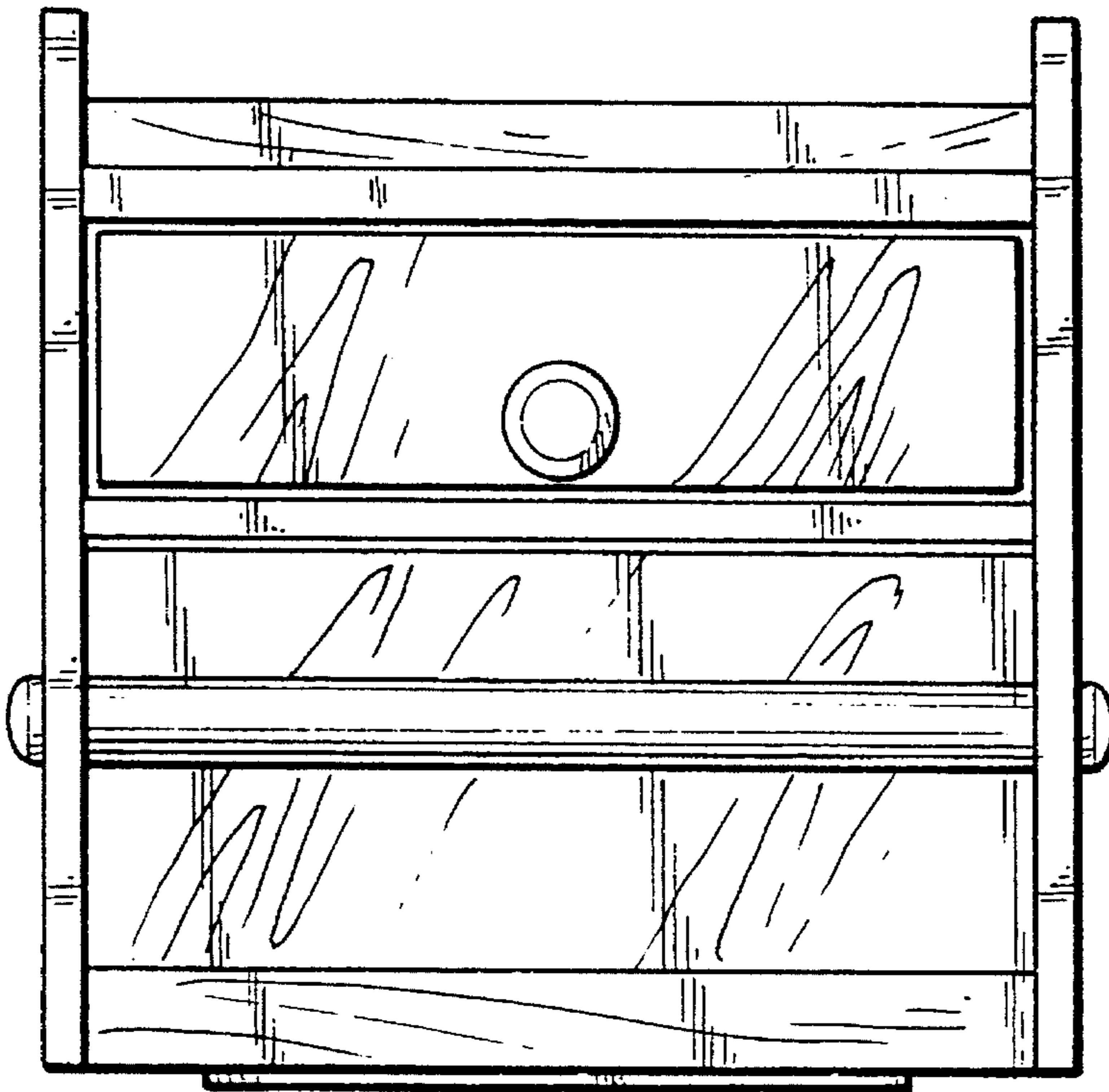


Fig-3

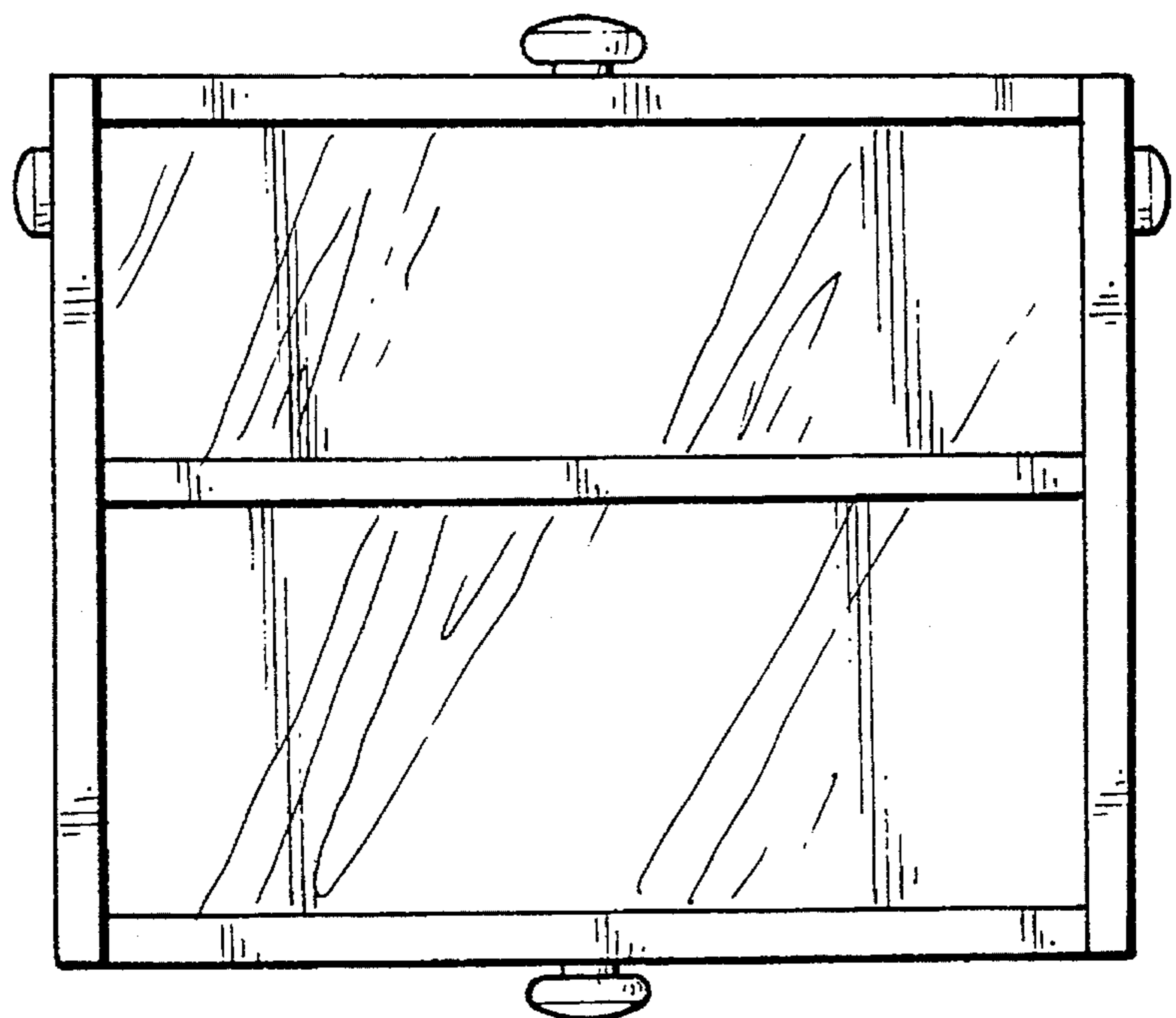


Fig-4

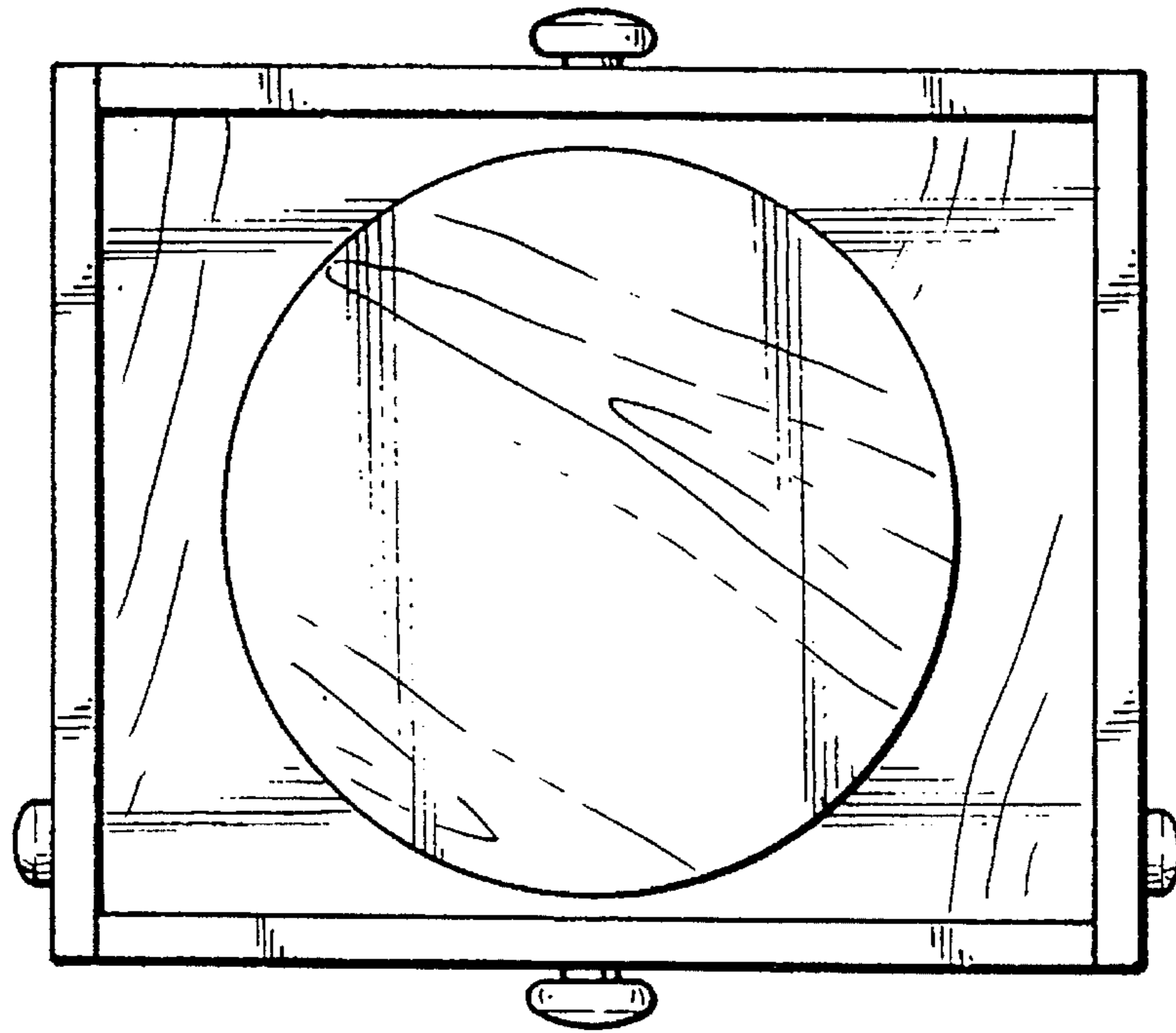


Fig - 5

Fig - 6

