



US00D369522S

# United States Patent [19]

[11] **Patent Number:** **Des. 369,522**

**Casey**

[45] **Date of Patent:** **\*\*May 7, 1996**

[54] **COMBINED PACKAGED SUGAR DISPENSER AND EMPTY PACKAGE STORAGE CONTAINER**

D. 289,596 5/1987 Evans ..... D7/590

*Primary Examiner*—Terry A. Wallace

[76] **Inventor:** **Susan M. Casey**, 4968 Calvin Ave., Tarzana, Calif. 91356

[57] **CLAIM**

[\*\*] **Term:** **14 Years**

The ornamental design for a combined packaged sugar dispenser and empty package storage container, as shown.

[21] **Appl. No.:** **39,699**

**DESCRIPTION**

[22] **Filed:** **Jun. 2, 1995**

[52] **U.S. Cl. .... D7/590**

[58] **Field of Search** ..... D7/401.1, 543-549, D7/590, 505; D19/75, 85; D34/1, 2; 220/23.4, 23.83, 23.86

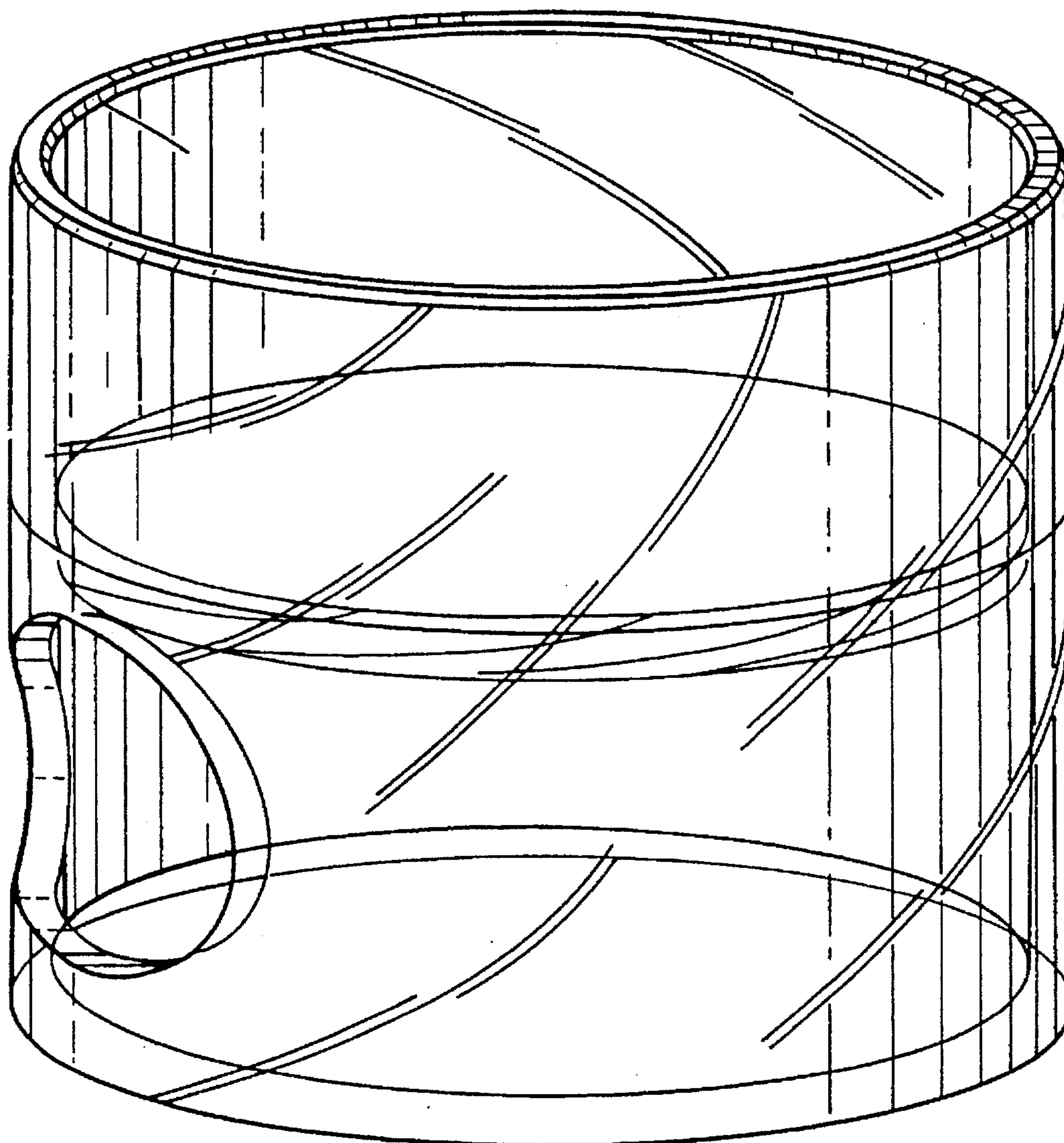
FIG. 1 is a top, front, right side perspective view of a combined packaged sugar dispenser and empty package storage container showing my new design; FIG. 2 is a left side elevation view thereof; FIG. 3 is a rear elevation view thereof; FIG. 4 is a top plan view thereof; FIG. 5 is a bottom plan view thereof; and, FIG. 6 is a fragmentary side sectional view thereof.

[56] **References Cited**

**U.S. PATENT DOCUMENTS**

D. 282,233 1/1986 Kelley ..... D19/75 X

**1 Claim, 2 Drawing Sheets**



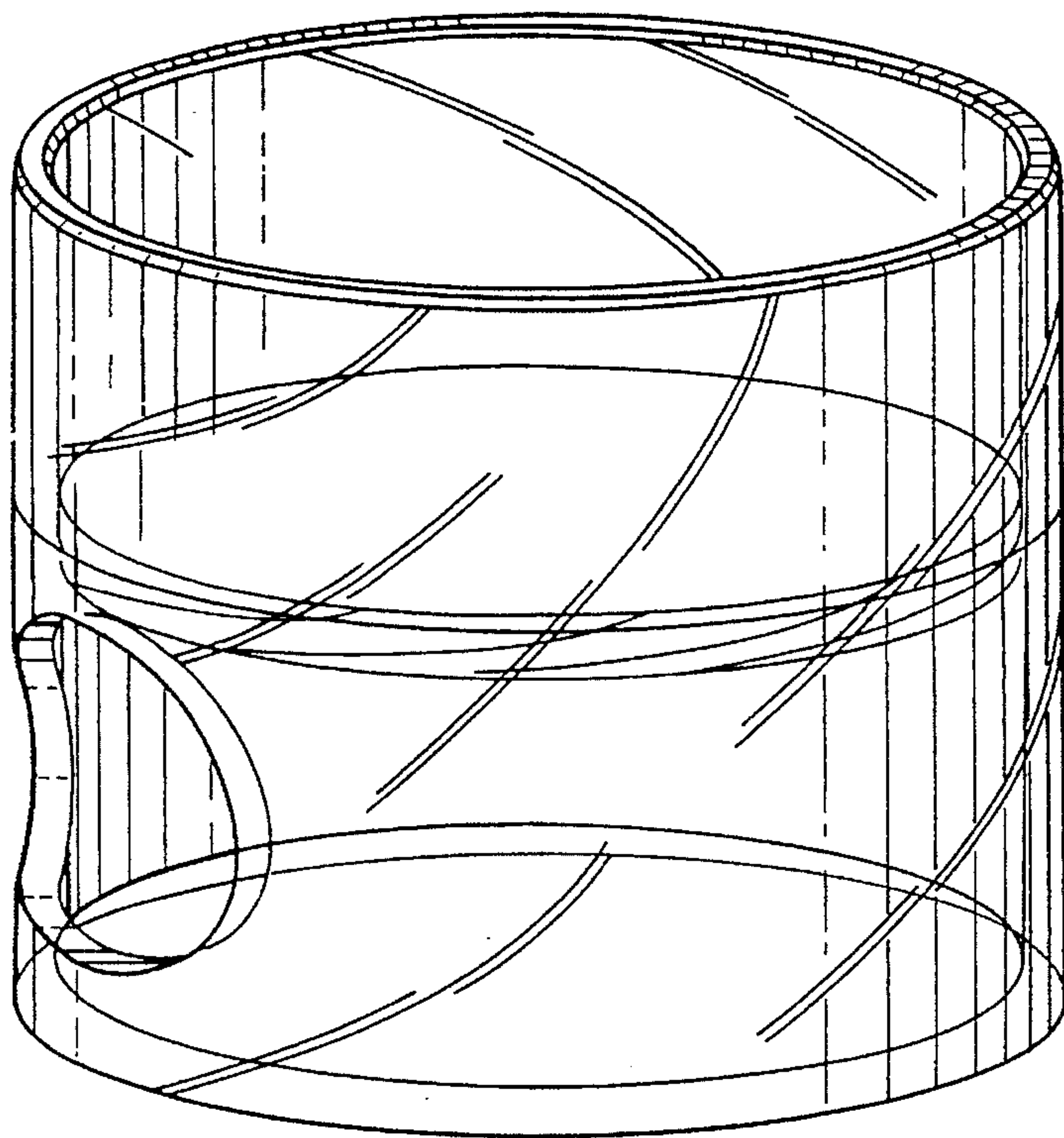


FIG. 1

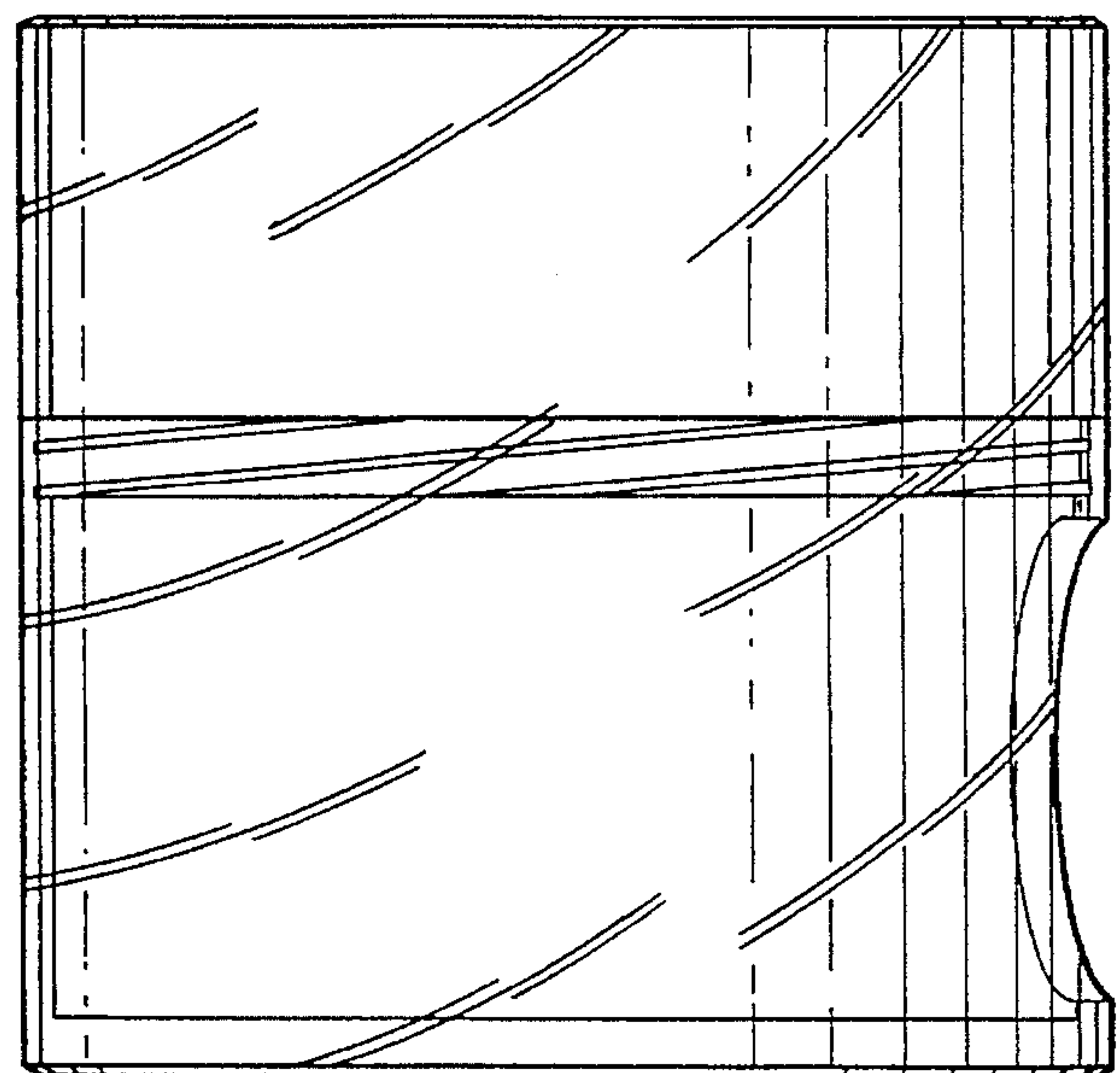


FIG. 2

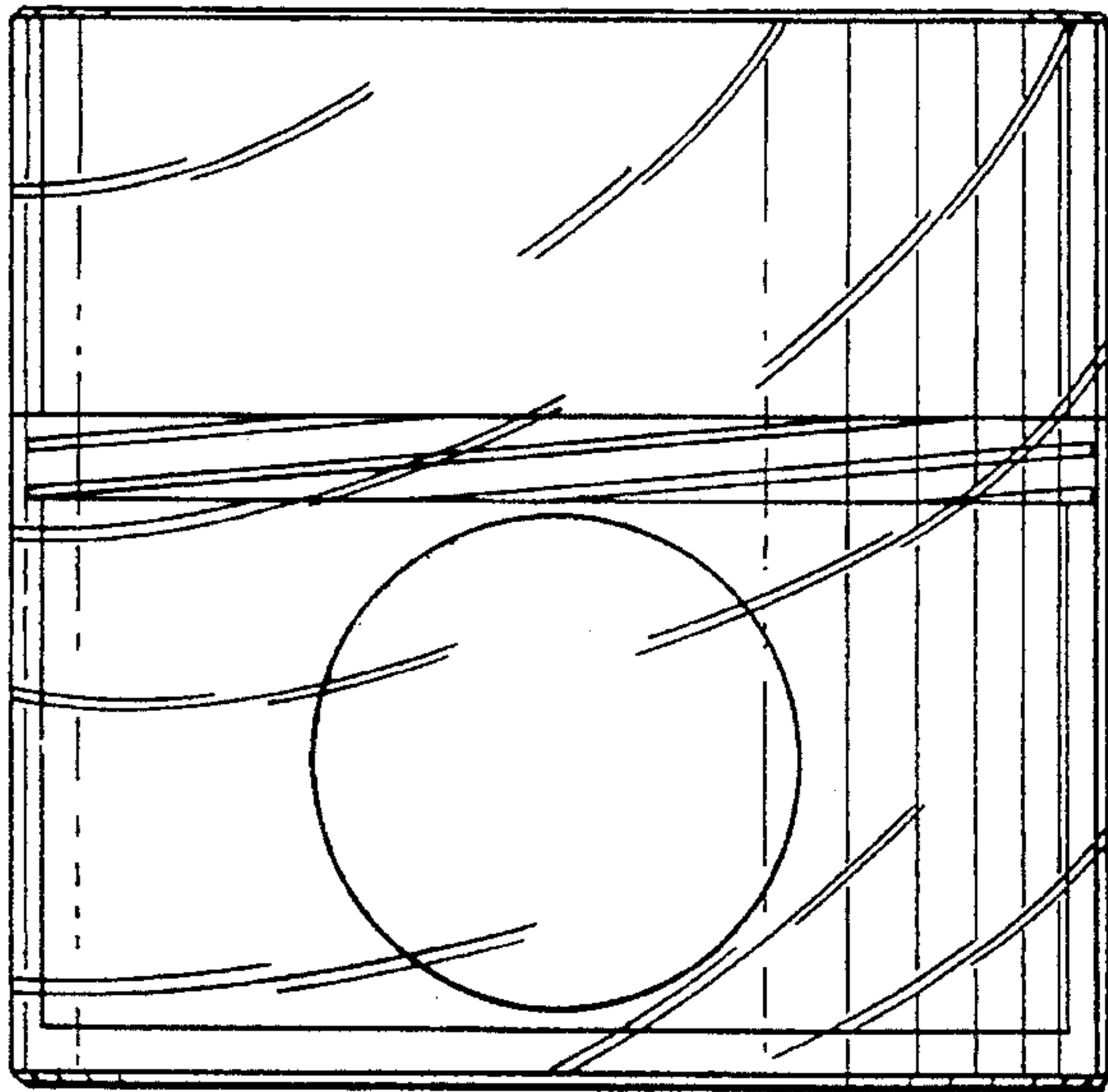


FIG. 3

FIG. 4

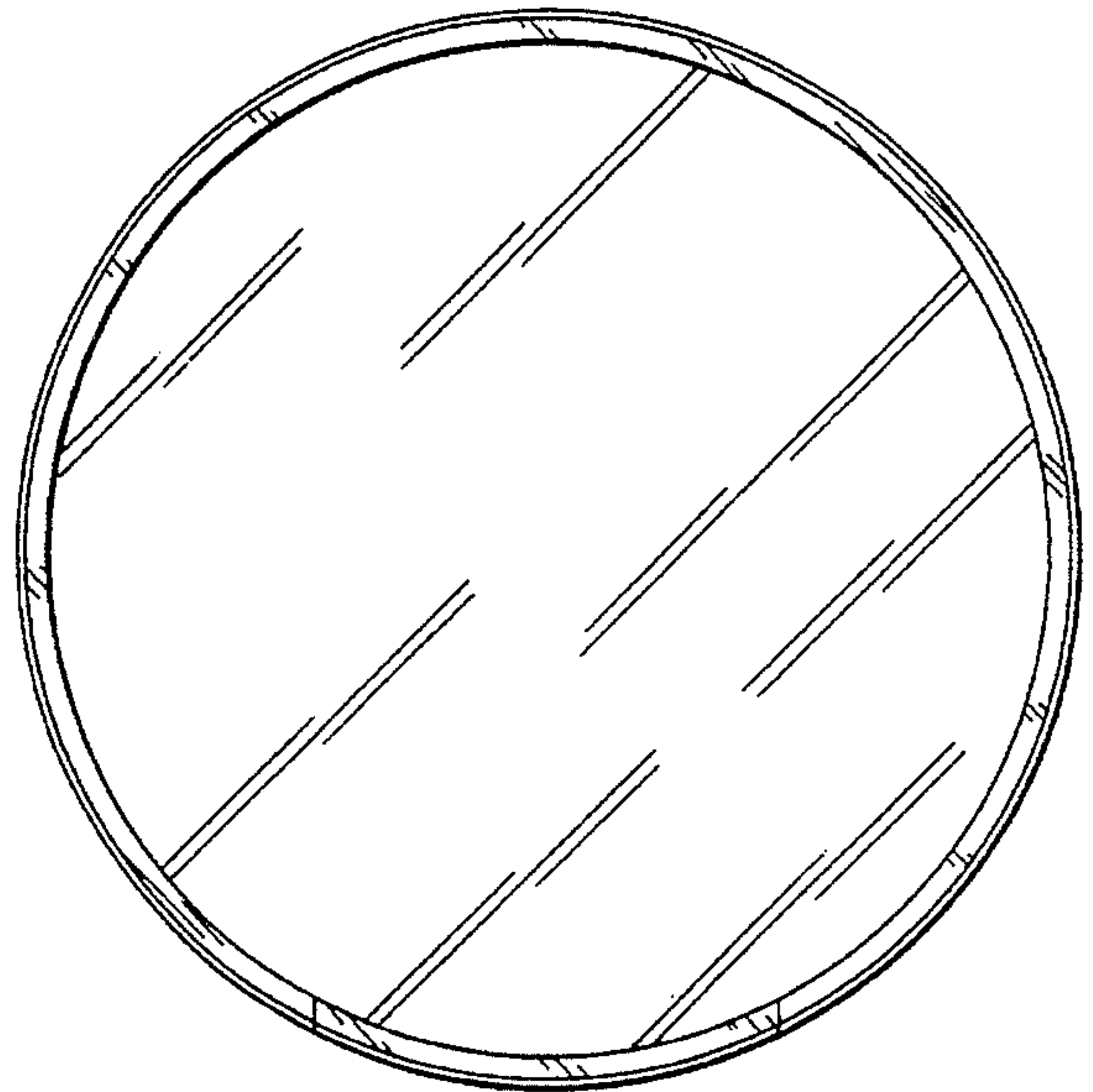


FIG. 5

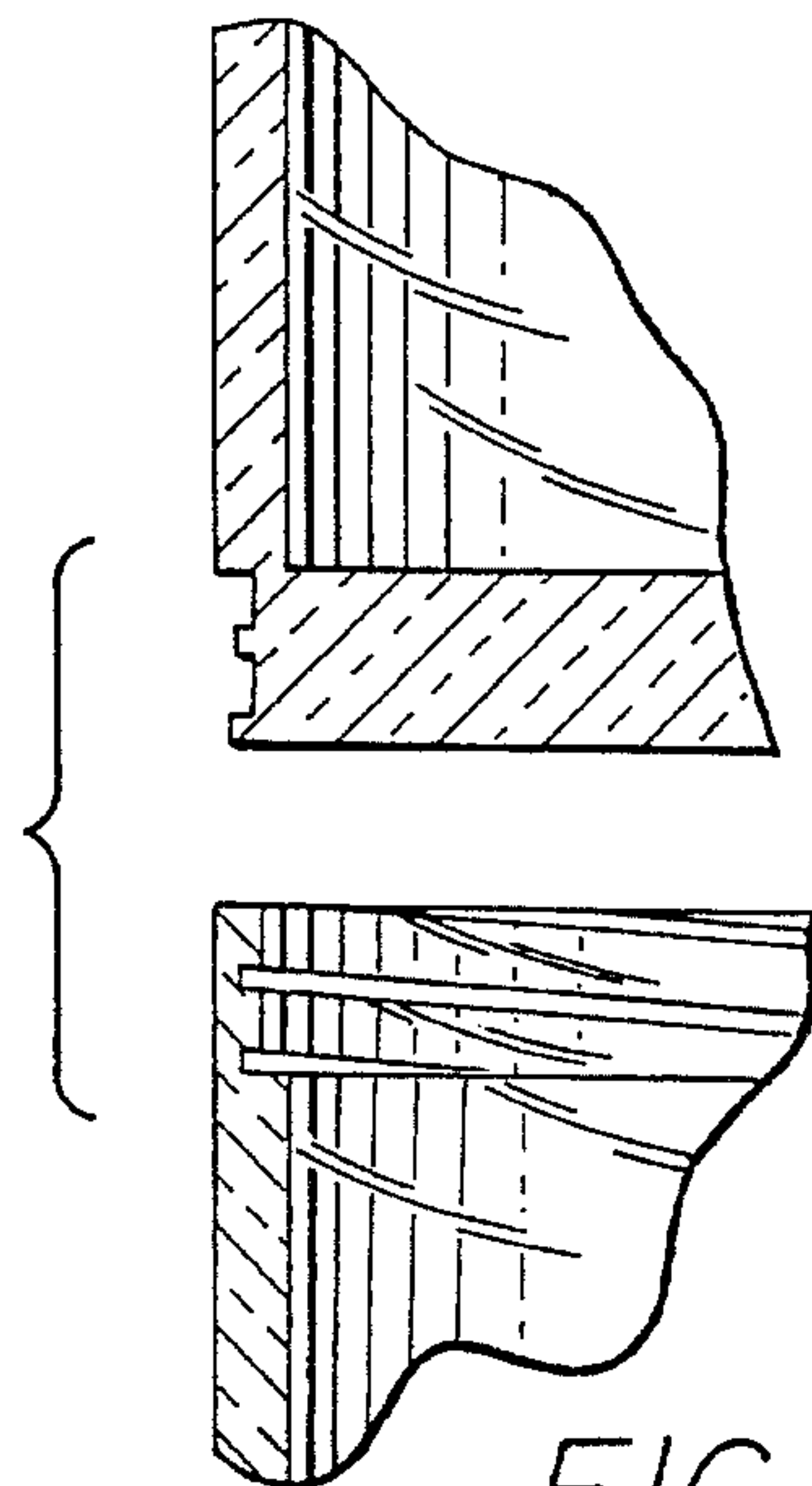
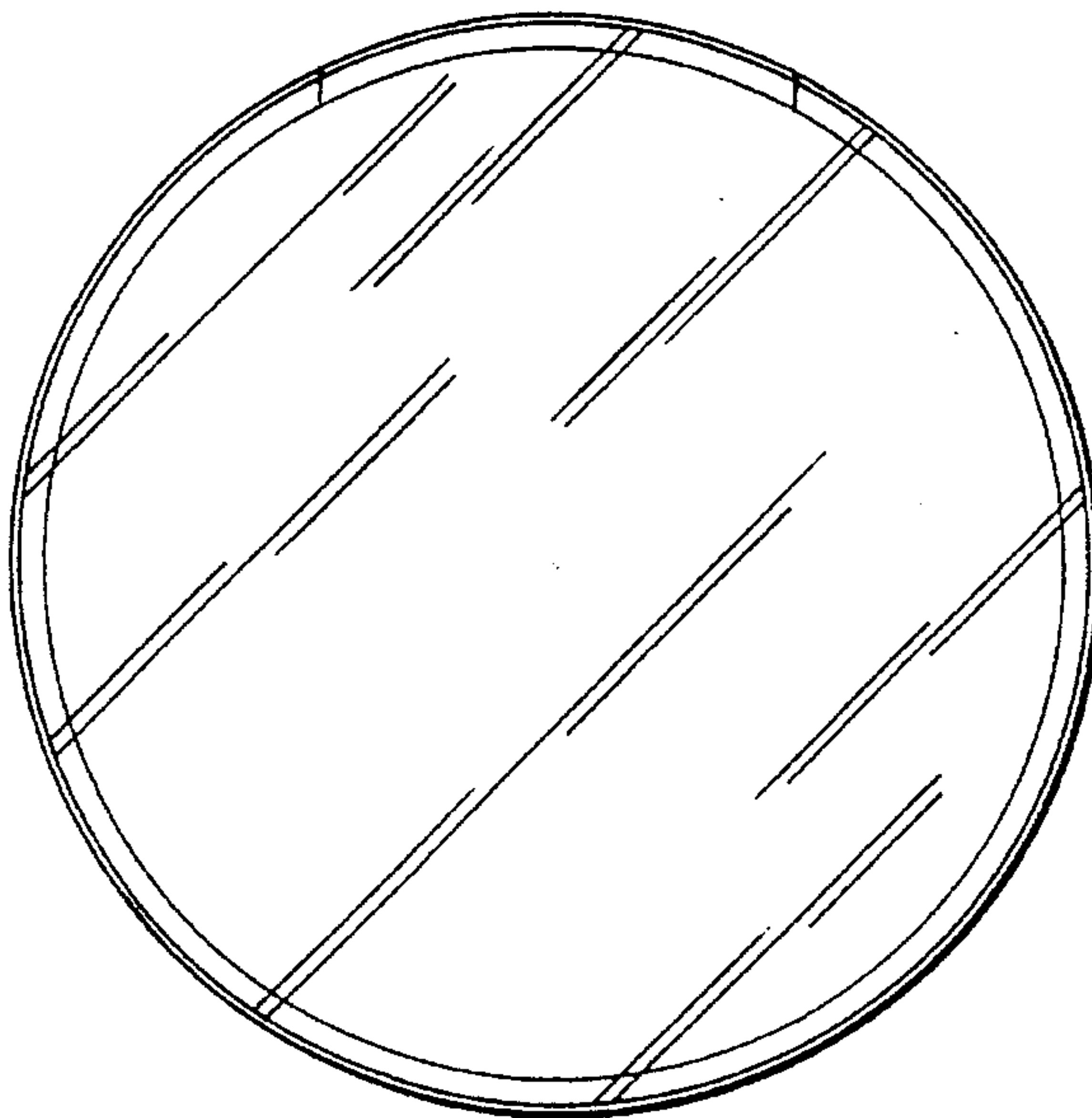


FIG. 6