



US00D369521S

United States Patent [19]

[11] Patent Number: **Des. 369,521**

Wittenborn et al.

[45] Date of Patent: ****May 7, 1996**

[54] PICNIC TRAY

[76] Inventors: **Dean R. Wittenborn; Frances S. Wittenborn**, both of 7700 Steele Dr., Tucson, Ariz. 85743

[**] Term: **14 Years**

[21] Appl. No.: **34,358**

[22] Filed: **Feb. 2, 1995**

[52] U.S. Cl. **D7/553; D3/215; D7/555**

[58] Field of Search **D7/550, 505, 551, D7/507, 543, 544, 545, 546, 548, 549, 552, 553, 554, 555, 556, 558, 557, 601, 701; D3/215, 224, 304; D12/417; 224/270**

[56] **References Cited**

U.S. PATENT DOCUMENTS

D. 183,580	9/1958	Seaford	D7/553
D. 268,072	3/1983	Boogs	D7/553 X
D. 270,506	9/1983	Thorne	D7/553 X
D. 311,662	10/1990	Lorenzana et al. .	
D. 321,236	10/1991	Brodeur	D3/224 X
D. 336,579	6/1993	Keller et al.	D7/553 X

D. 346,310	4/1994	Schlesler et al.	D7/553 X
D. 352,205	11/1994	Swetharanyam	D7/550 X
2,686,701	8/1954	Manczur	D7/550 X
5,056,159	10/1991	Zemke, Jr. .	
5,062,558	11/1991	Stang .	
5,143,337	9/1992	Tomayko, Jr. et al. .	
5,186,375	2/1993	Plonk	D3/215 X
5,285,940	2/1994	Goulter .	

Primary Examiner—M. N. Pandozzi

[57] CLAIM

The ornamental design for the picnic tray, as shown and described.

DESCRIPTION

FIG. 1 is a front elevational view of the picnic tray showing our new design;

FIG. 2 is a rear elevational view thereof;

FIG. 3 is a left side elevational view thereof;

FIG. 4 is a right side elevational view thereof;

FIG. 5 is a top plan view thereof; and,

FIG. 6 is a bottom plan view thereof.

1 Claim, 3 Drawing Sheets

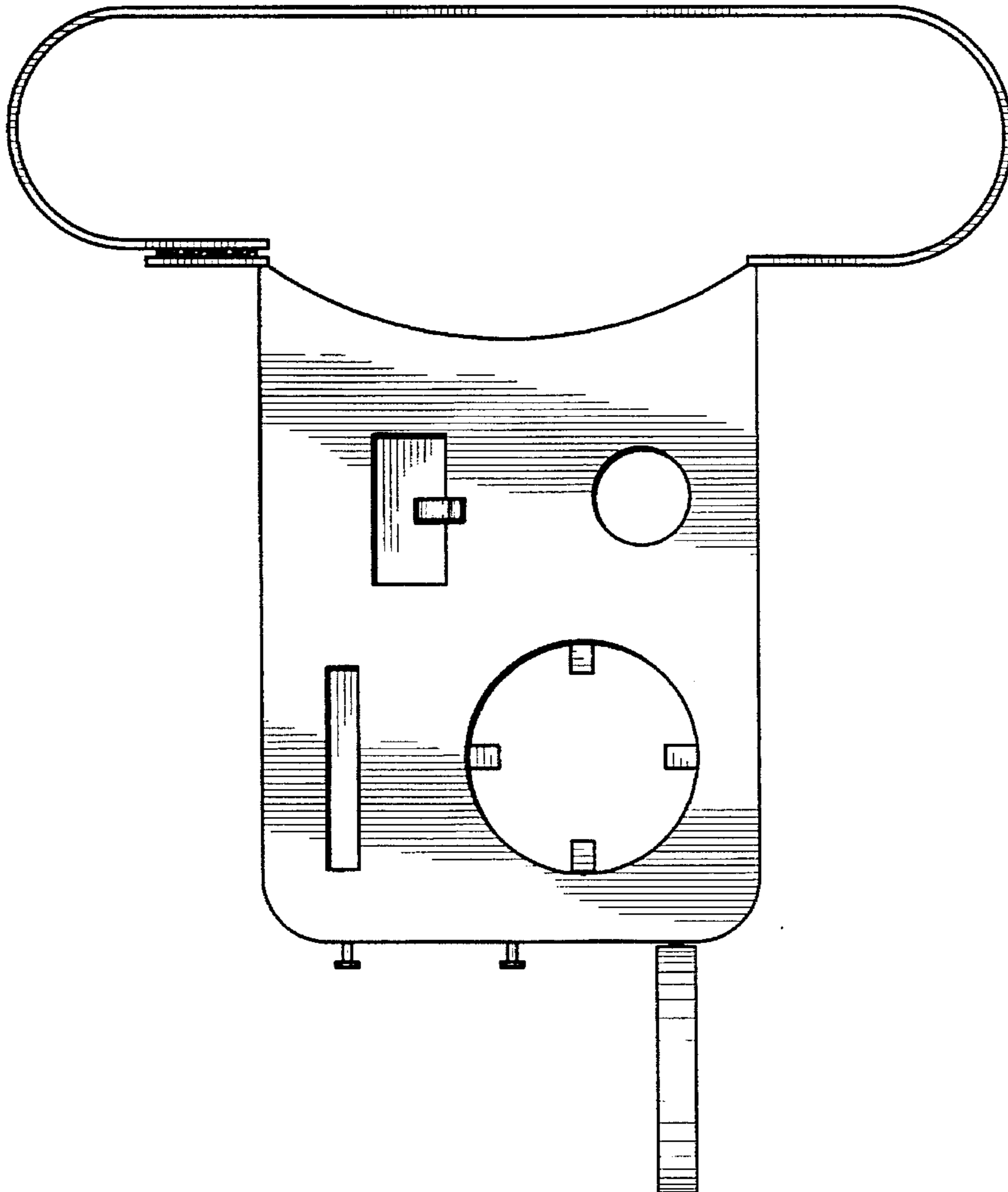


FIG. 1

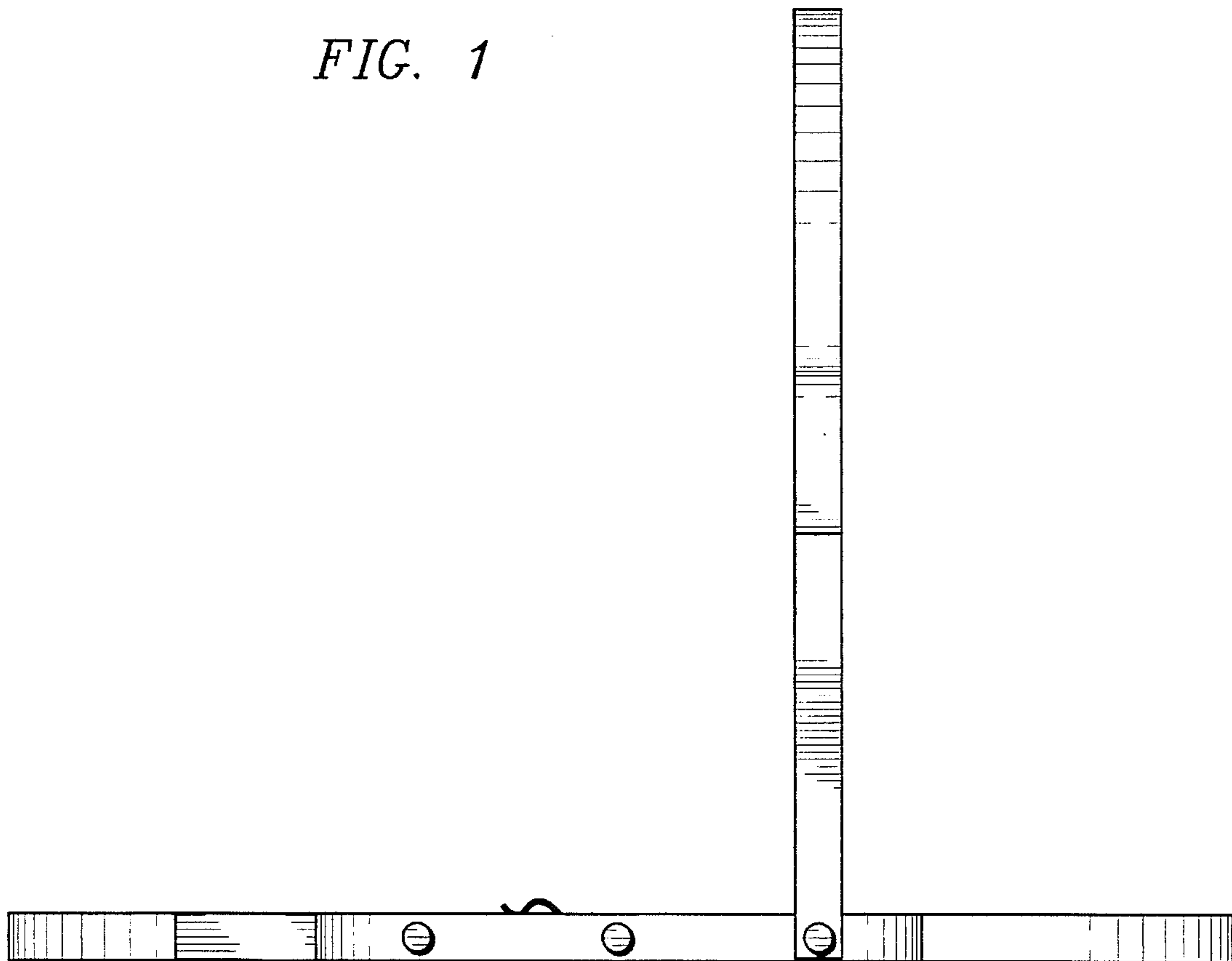


FIG. 2

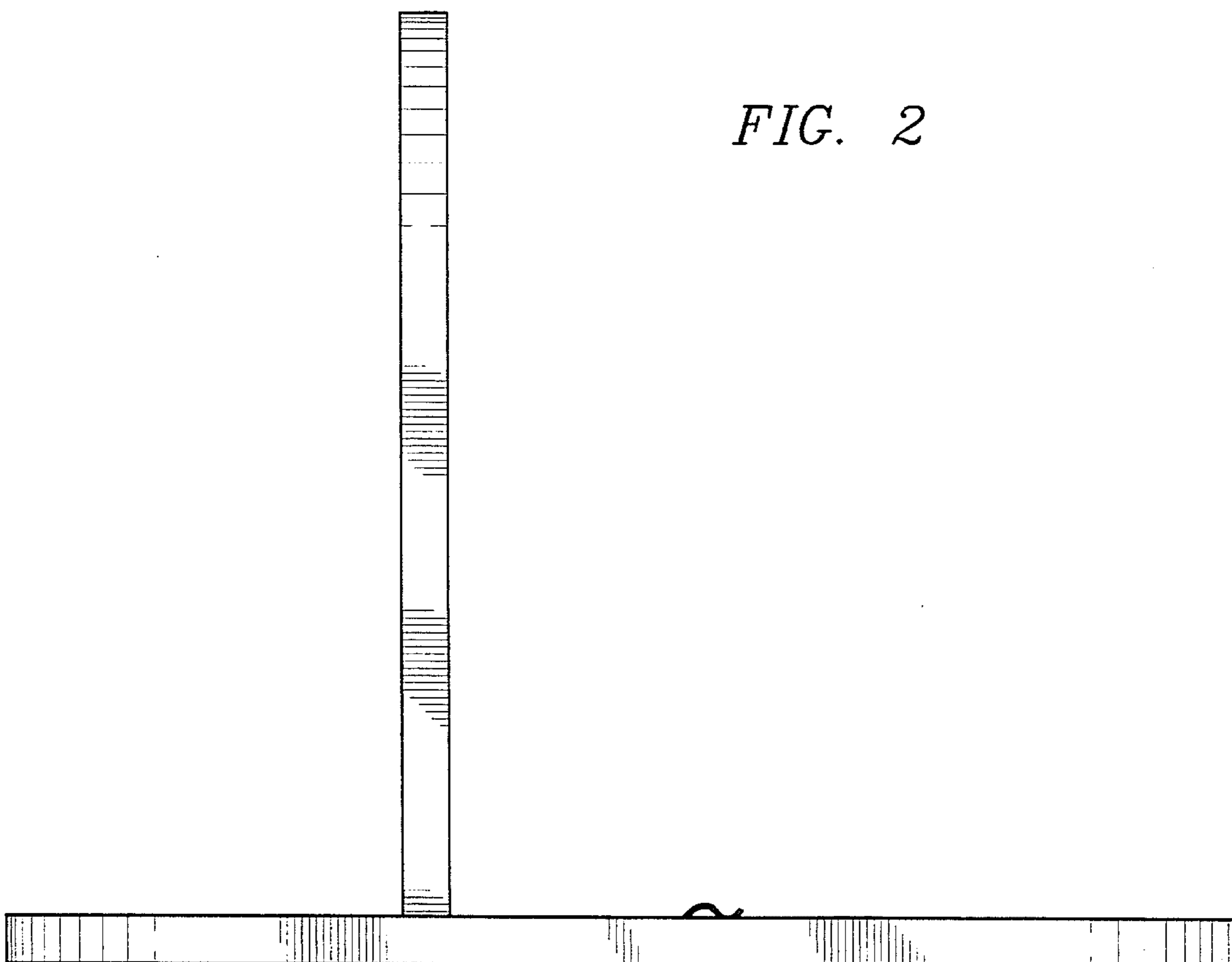


FIG. 3

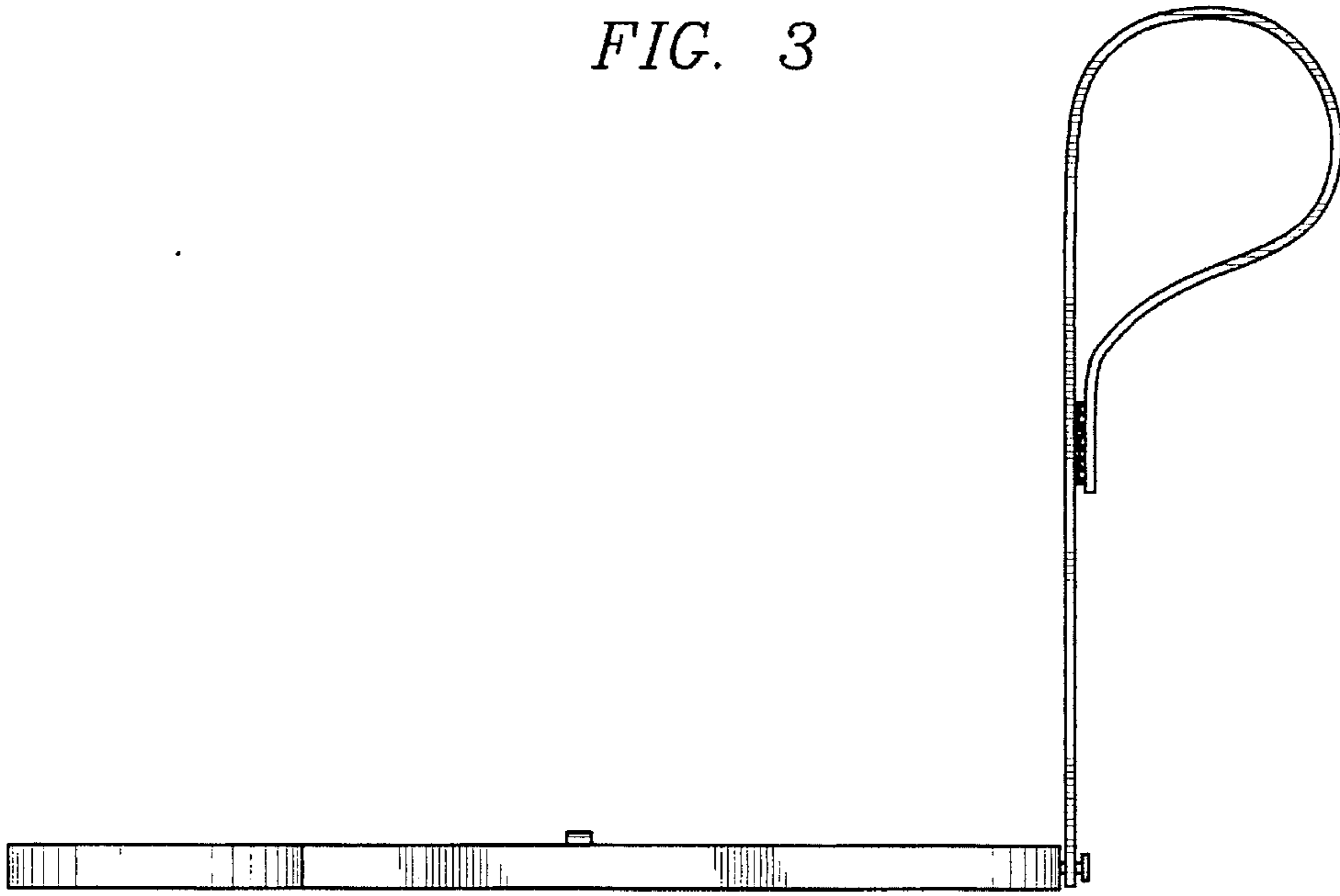


FIG. 4

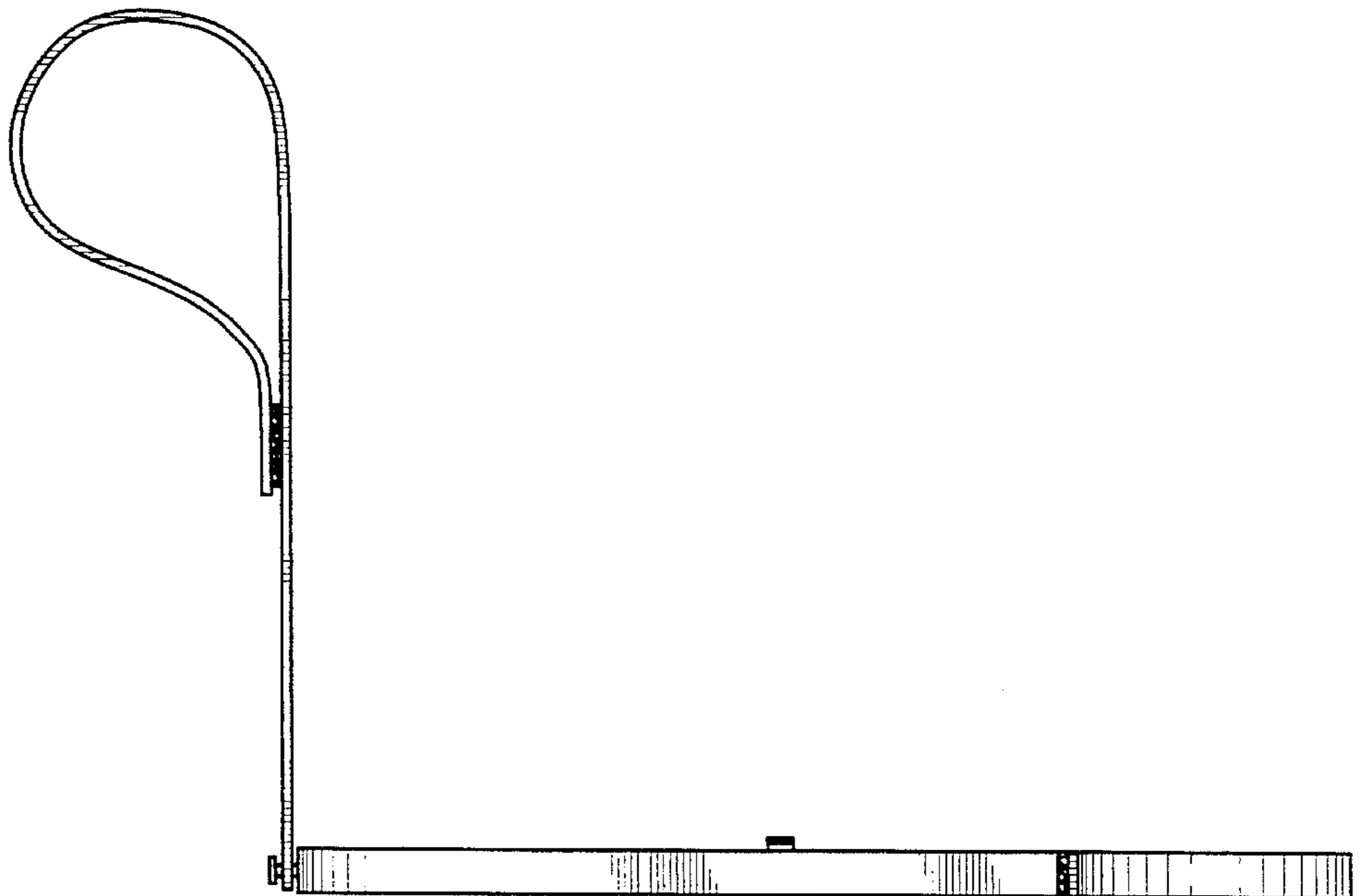


FIG. 5

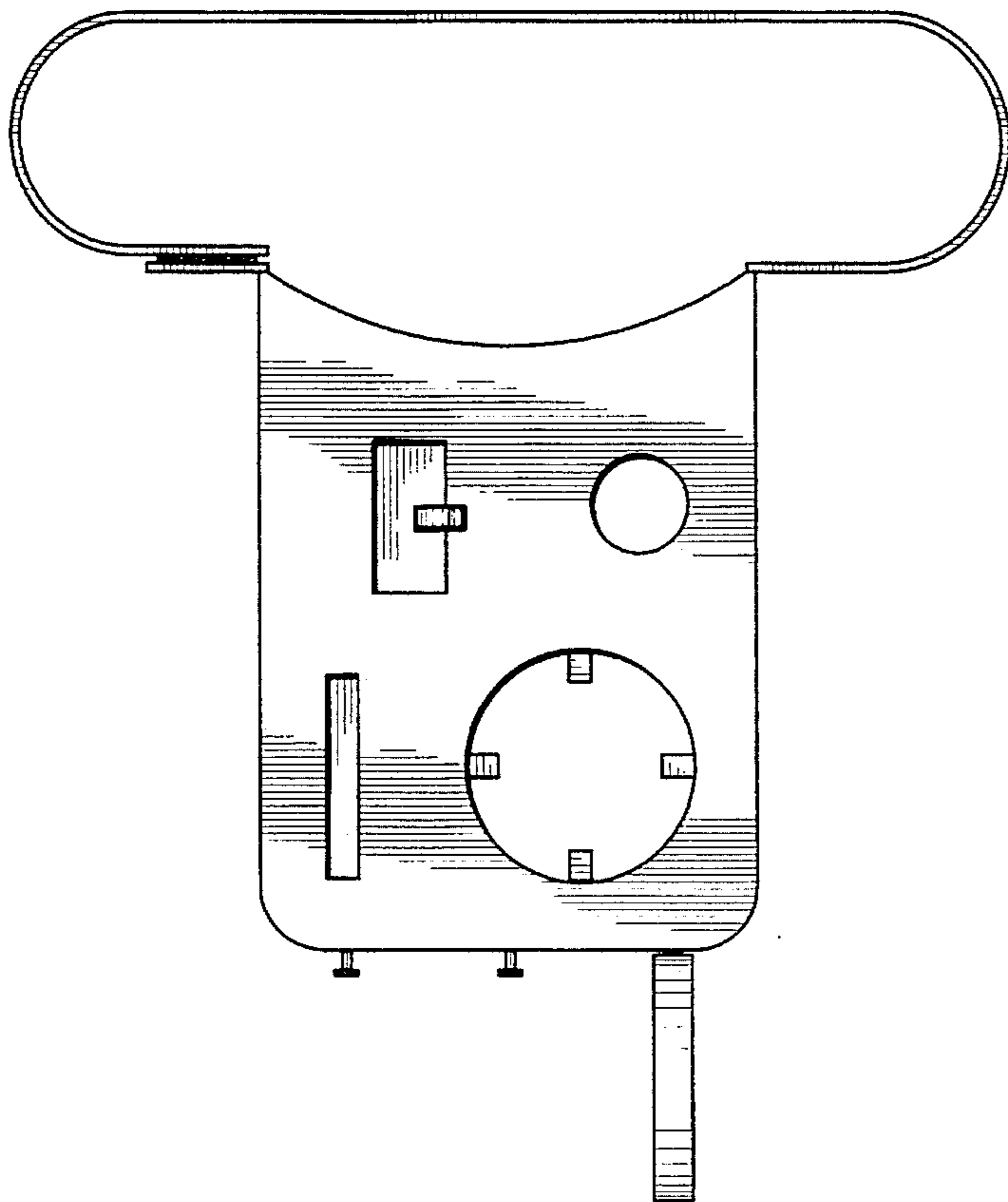


FIG. 6

