



US00D369515S

United States Patent [19] Higgins

[11] **Patent Number: Des. 369,515**
[45] **Date of Patent: **May 7, 1996**

[54] **RADIANT STOVE HEATER**

[75] Inventor: **George A. Higgins**, Hagley, England
[73] Assignee: **Ceramaspeed Limited**, United Kingdom
[**] Term: **14 Years**

[21] Appl. No.: **37,902**
[22] Filed: **Apr. 24, 1995**

[30] **Foreign Application Priority Data**

Dec. 16, 1994 [GB] United Kingdom 2-043-909
[52] **U.S. Cl.** **D7/407**; 219/464
[58] **Field of Search** 219/204, 212,
219/460, 466, 453, 458, 462; D23/417,
419; D2/407; D7/417, 407, 408

[56] **References Cited**

U.S. PATENT DOCUMENTS

1,121,074 12/1914 Denhard 392/322
4,327,280 4/1982 McWilliams 219/464
4,347,432 8/1982 Gössler 219/466 X

FOREIGN PATENT DOCUMENTS

3812490 11/1989 Germany 219/453
2061679 5/1981 United Kingdom 219/464
1005511 6/1982 United Kingdom .
2229615 9/1990 United Kingdom 219/464

Primary Examiner—Louis S. Zarfaz
Assistant Examiner—Frank Martinez
Attorney, Agent, or Firm—Ira S. Dorman

[57] **CLAIM**

The ornamental design for a radiant stove heater, as shown and described.

DESCRIPTION

FIG. 1 is a top plan view of a radiant stove heater showing my new design;
FIG. 2 is a cross-sectional view thereof;
FIG. 3 is a first side elevational view thereof;
FIG. 4 is a bottom plan view thereof;
FIG. 5 is a second side elevational view thereof;
FIG. 6 is a third side elevational view thereof; and,
FIG. 7 is a fourth side elevational view thereof.

1 Claim, 2 Drawing Sheets

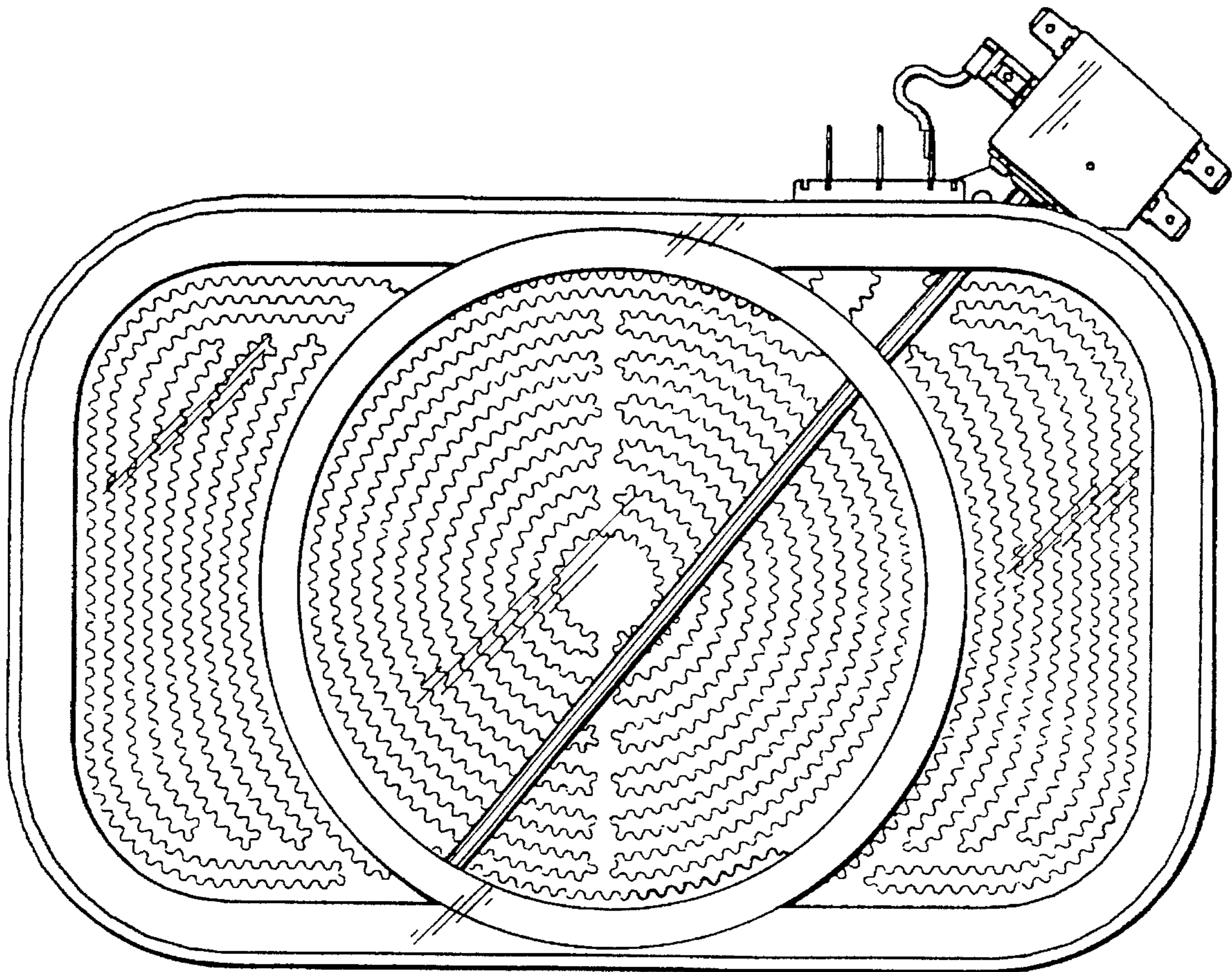


FIG 1

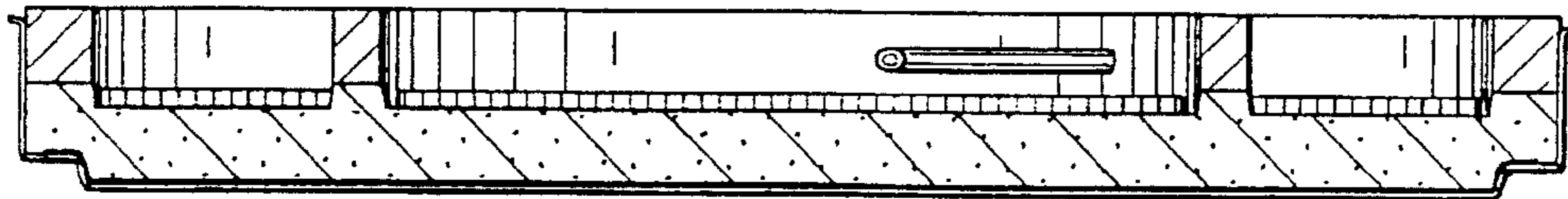
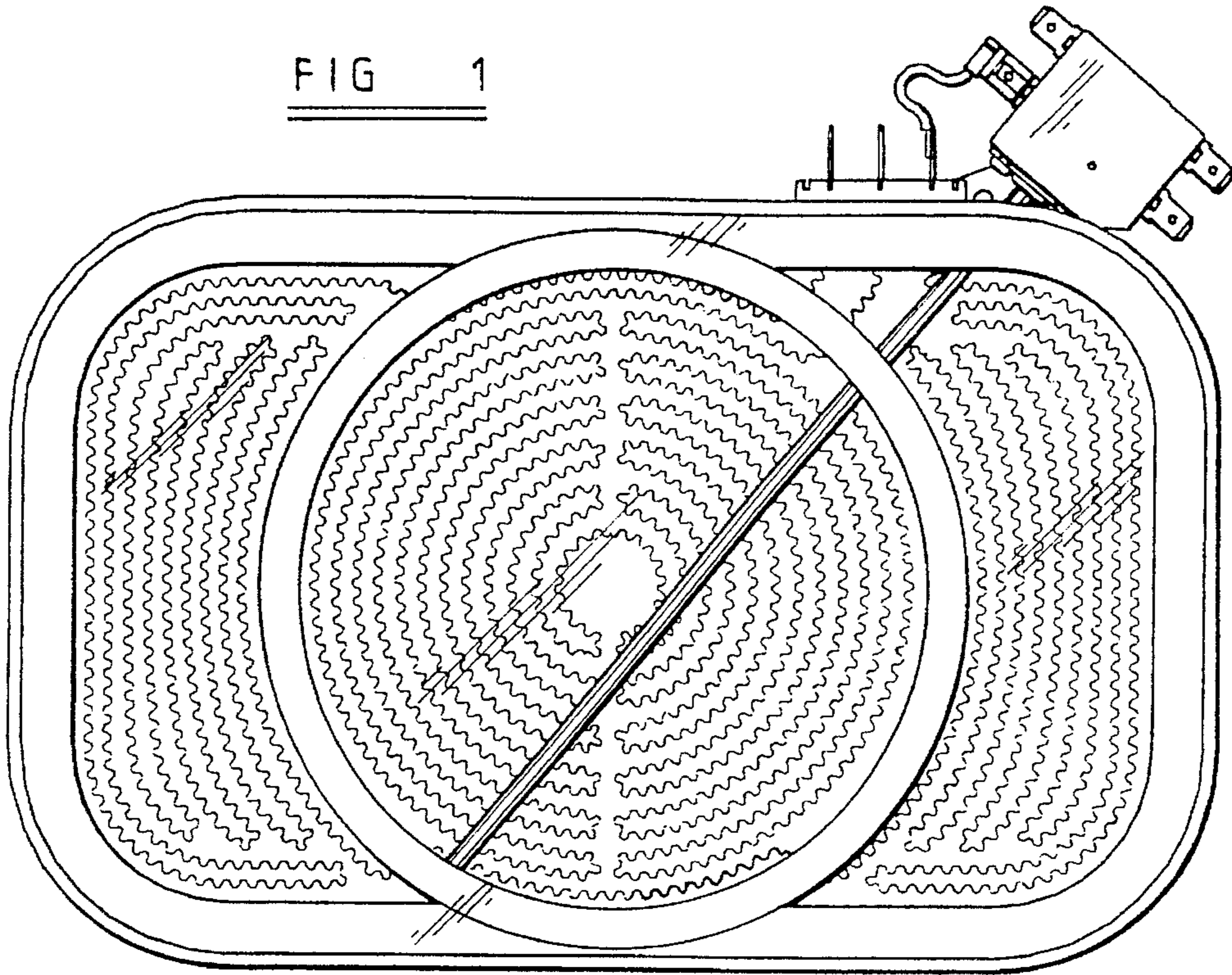


FIG 2

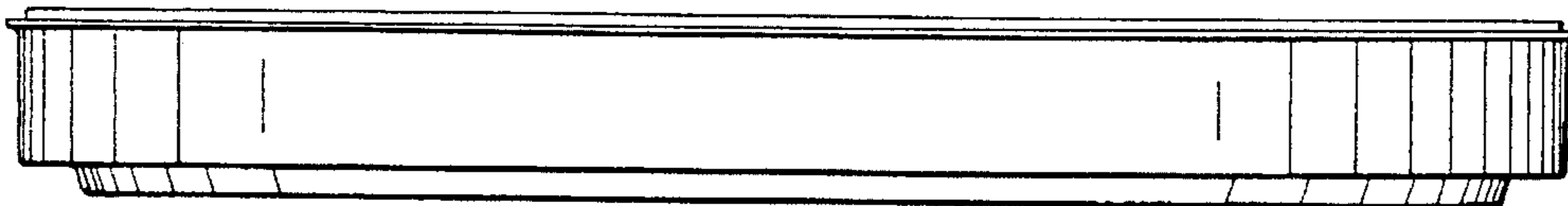


FIG 3

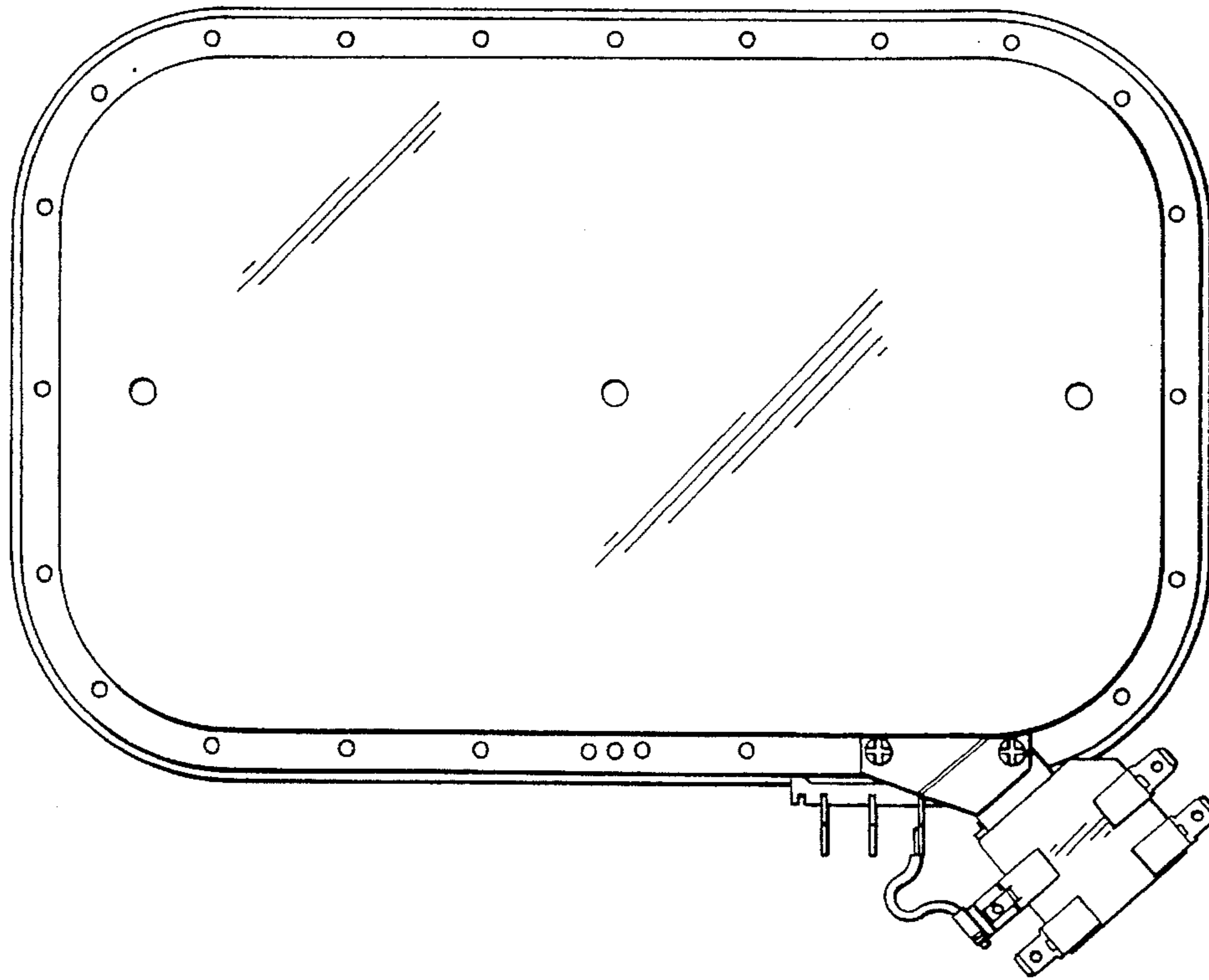


FIG 4

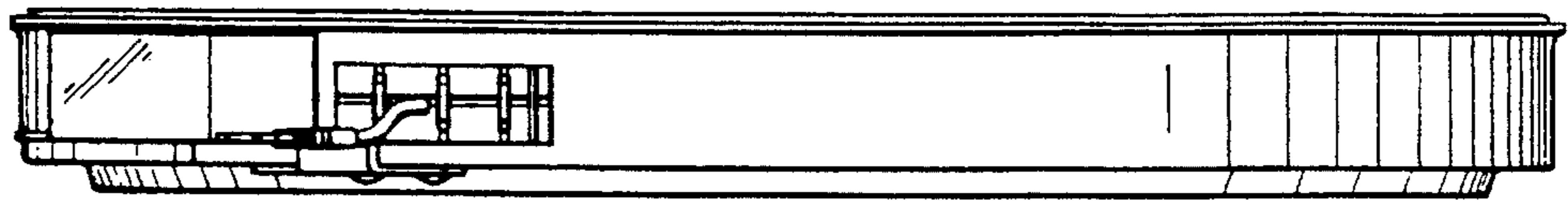


FIG 5

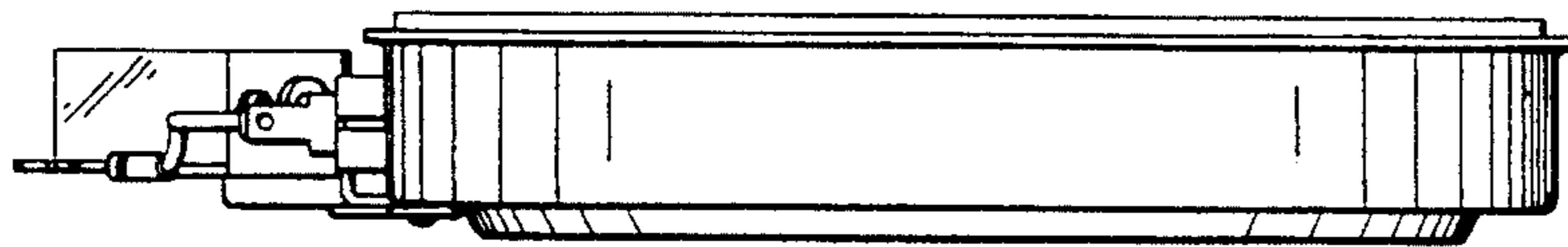


FIG 6

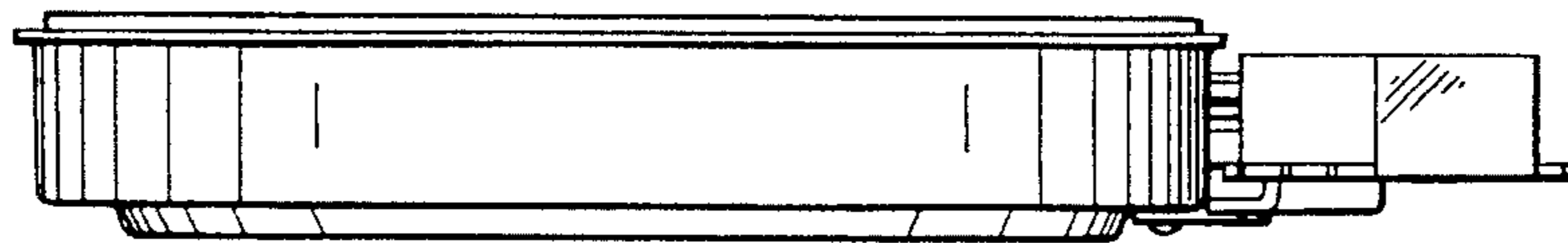


FIG 7