



US00D369514S

United States Patent [19] Baldwin

[11] **Patent Number:** **Des. 369,514**
[45] **Date of Patent:** ****May 7, 1996**

[54] **CONTROL PANEL FOR AN APPLIANCE**

[75] **Inventor:** **Mark W. Baldwin**, St. Joseph, Mich.

[73] **Assignee:** **Whirlpool Corporation**, Benton Harbor, Mich.

[**] **Term:** **14 Years**

[21] **Appl. No.:** **31,204**

[22] **Filed:** **Nov. 10, 1994**

[52] **U.S. Cl. D7/406**

[58] **Field of Search** D32/2, 3, 4, 5, D32/6; D7/346, 348, 363, 367, 368, 378, 384, 357; 219/443, 444, 445, 446, 447, 448, 449, 450, 455

[56] **References Cited**

U.S. PATENT DOCUMENTS

D. 85,136	4/1931	Teller et al.	D7/346
D. 88,507	12/1932	De Wit .	
D. 92,946	8/1934	Crowley .	
D. 98,411	1/1936	Tjaarda .	
D. 126,728	4/1941	Culver, Jr. .	
D. 133,485	8/1942	Russell	D7/346
D. 143,518	1/1946	Woods .	
D. 154,711	8/1949	Reynolds, Jr. .	
D. 174,998	6/1955	Sandin	D7/346
D. 182,005	1/1958	Sundberg	D32/5
D. 185,391	6/1959	Slany	D7/367
D. 194,137	11/1962	Jenn et al.	D7/346
D. 200,833	4/1965	Bolot	D7/348
D. 227,147	6/1973	Fuji	D32/6
D. 261,849	11/1981	Funaki et al.	D7/367
D. 277,448	2/1985	Vetter et al.	D7/346
D. 277,449	2/1985	Vetter et al.	D7/346
D. 301,780	6/1989	Ezaki et al.	D32/5
D. 301,781	6/1989	Bover	D32/6

D. 301,782	6/1989	Bover	D32/6
D. 310,615	9/1990	Kitai et al.	D7/348
D. 321,812	11/1991	Maass	D7/368 X
D. 341,748	11/1993	Cornea	D7/378
D. 360,501	7/1995	Lentz et al	D32/6
2,346,237	6/1941	Rutenber	219/453
3,070,104	3/1958	Faust et al.	D32/2 X
3,598,962	8/1971	Badnaruk	219/444

OTHER PUBLICATIONS

Domus No. 683 Maggio 1987 (no page given middle of Book before p. 1).
 Design Magazine 467 Nov. 1987 p. 61 upper left.
 Official Bulletin of the Industrial Property Office Jan. 1995 Spain-p. 290 lower left.
 Korean Industrial Property Office Bulletin Nov. 1994 at p. 86.
 House Beautiful Aug. 1986 at p. 99 lower left.
 Anet's Catalog Mar. 1986 front cover.
 Better Homes and Garden May 1977 at p. 293 inside back cover.

Primary Examiner—Louis S. Zarfes
Assistant Examiner—Frank Martinez
Attorney, Agent, or Firm—Hill, Steadman & Simpson

[57] **CLAIM**

A control panel for an appliance, as shown and described.

DESCRIPTION

FIG. 1 is a front side perspective view of a control panel; FIG. 2 is a plan view of the control panel of FIG. 1; FIG. 3 is a front elevational view of the control panel of FIG. 1; and, FIG. 4 is a side elevational view of the control panel of FIG. 1, the opposite side being a mirror image.

1 Claim, 1 Drawing Sheet

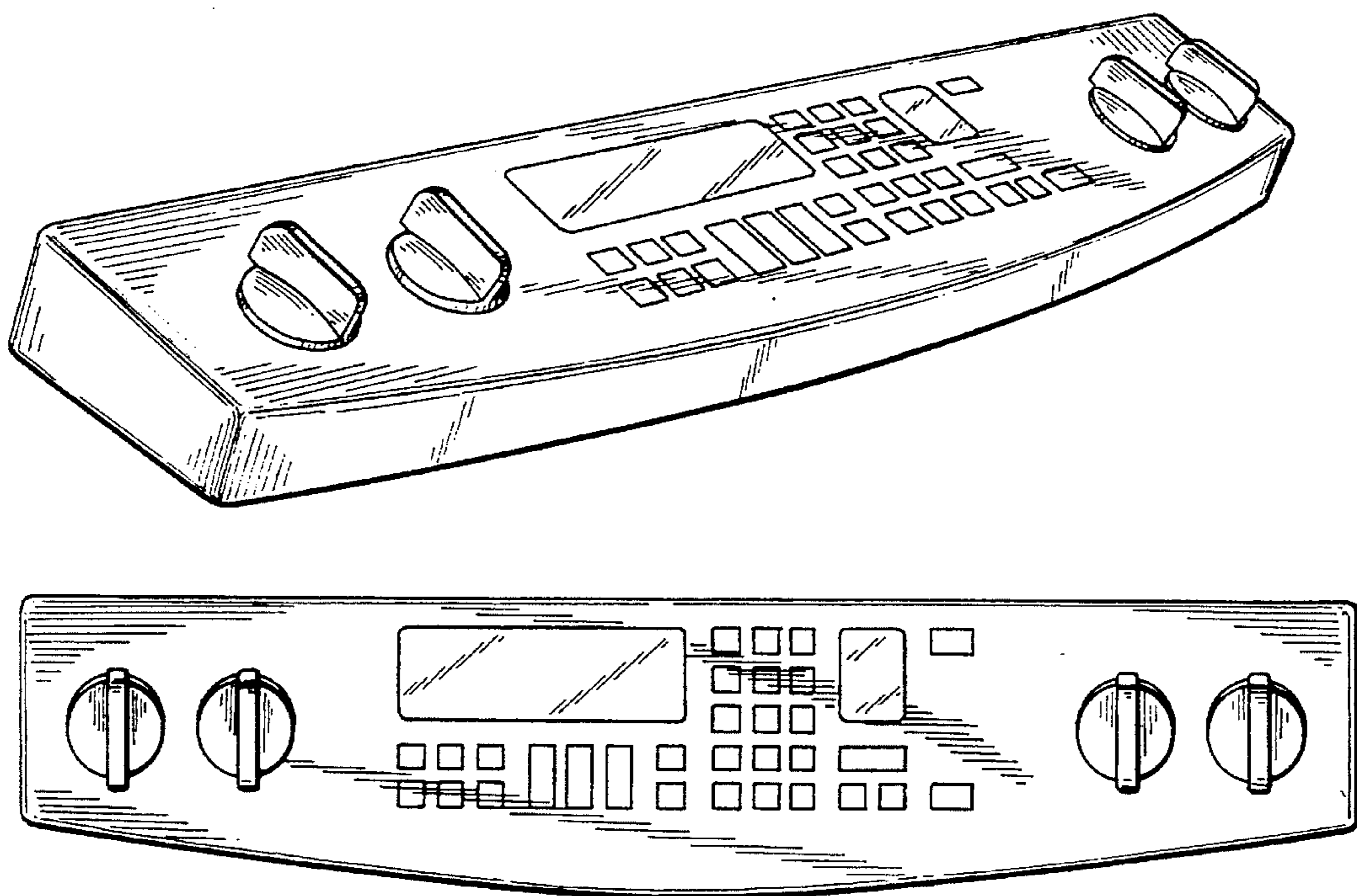


FIG. 1

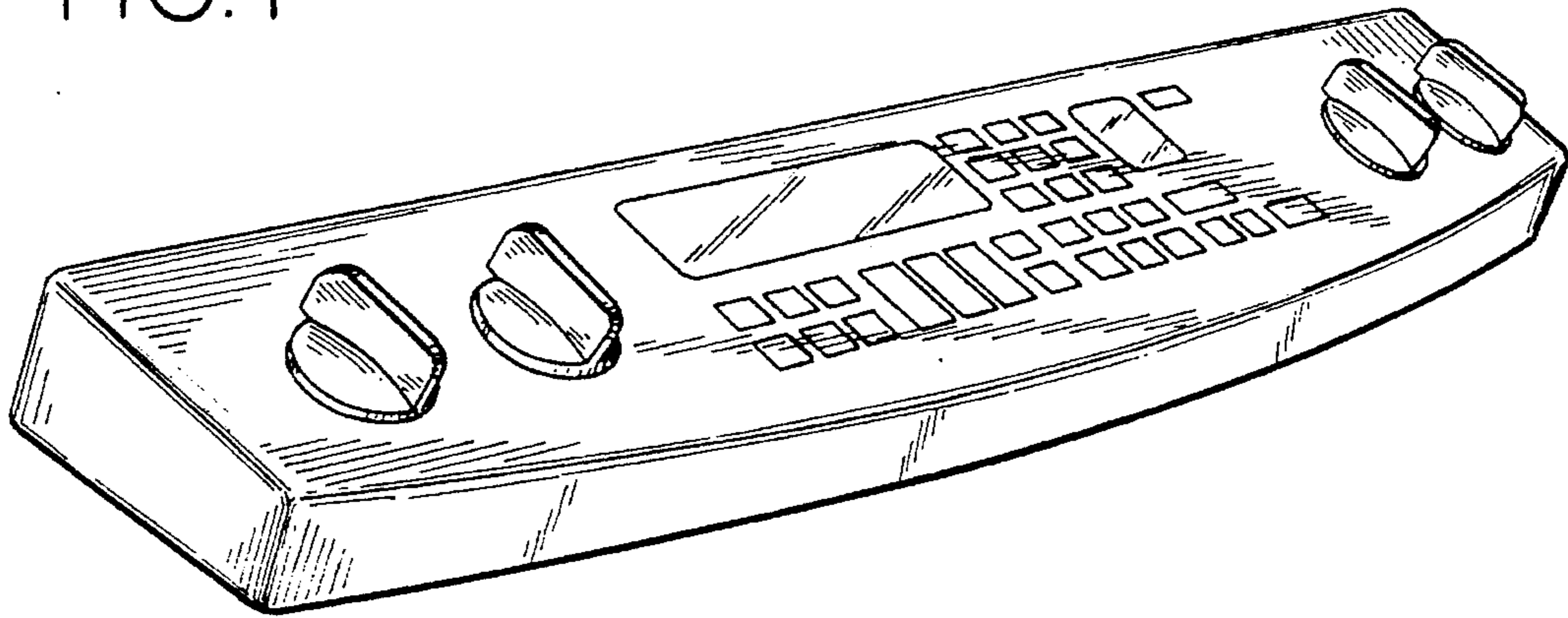


FIG. 2

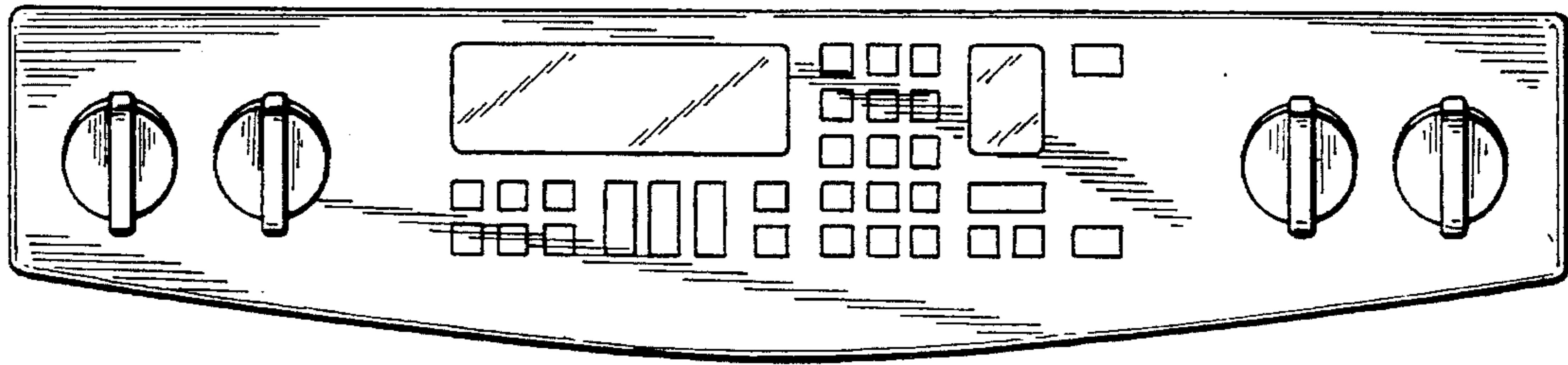


FIG. 3

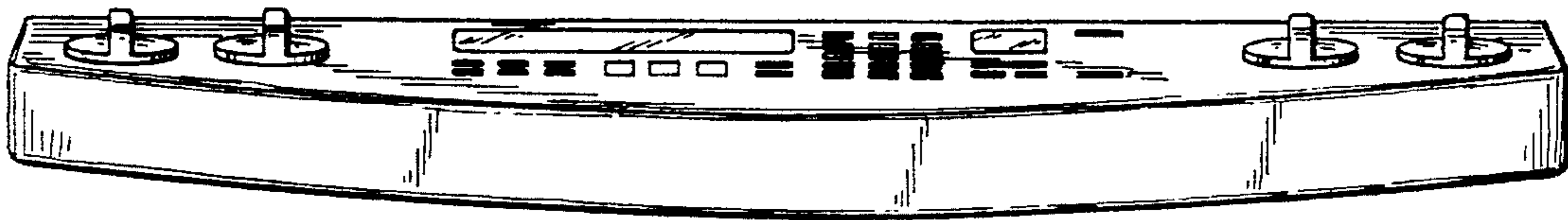


FIG. 4

